

FISHER & PAYKEL

WATER FILTER REPLACEMENT INSTRUCTIONS

All ice and water refrigeration products using water filters 847200 & 847201

INSTALLATION GUIDE
NZ AU GB IE HK SG IN US CA

① SAFETY AND WARNINGS

Water filter

IMPORTANT!

- **The water connection to your ice & water refrigerator must be installed by an qualified plumber or Fisher & Paykel trained and supported service technician and comply with all state and local laws.**
- **Installation and use MUST comply with all state and local plumbing codes. Check with your local public works department for plumbing codes. You must follow their guidelines as you install the water filtration system.**
- **To avoid serious illness or death, only connect your water filter to safe drinking water.**
- **The water filter cartridge needs to be changed when the replacement indicator icon illuminates. This will happen every 6 months.**
- **If the water filtration system has been allowed to freeze, replace filter cartridge. Failure to replace the disposable filter at recommended intervals may lead to reduced filter performance and failure of the filter, causing property damage from water leakage or flooding.**
- **In cases of excessively reduced filter life—we recommend that you consult a local plumber or your water supplier for advice on suitable filtration requirements for the water supplied to your home.**
- **Filter replacement is the consumer’s responsibility and will not be covered by the warranty except in the case of faulty parts or materials within the filter cartridge.**
- **If the water has not created ice for some time or ice has an unpleasant taste or odor dispose of ice and refer to the flushing instructions in this book. If unpleasant taste or odor persists, you may wish to fit a new filter cartridge.**
- **Your water filtration system can withstand up to 120psi (827kPa) of water pressure. If a pressure reducing valve was supplied with your product, this must be installed before the water filtration system. DO NOT install if water pressure exceeds 120psi (827kPa).**

To reduce the risk associated with property damage due to water leakage or flooding:

- **DO NOT install systems in areas where ambient temperatures may go above 100°F (38°C) or drop below 33°F (0.6°C).**
- **DO NOT install on hot water supply lines. The maximum operating water temperature of this filter system is 100°F (38°C).**
- **DO NOT install where water hammer conditions may occur. If water hammer conditions exist, you must install a water hammer arrester.**

847200 – Certified by: IAPMO R&T against NSF/ANSI Standards 43, 53, 401 and CSA B4831.1 for the reduction of claims specified on the performance data sheet and at iapmort.org. 847200 compounds certified under NSF/ANSI 401 have been deemed as incidental contaminants/emerging compounds. Incidental contaminants are those compounds that have been detected in drinking water supplies at trace levels. While occurring at only trace levels, these compounds can affect the public acceptance of drinking quality water.

847201 – Certified by: IAPMO R&T against NSF/ANSI Standards 43 and CSA B4831.1 for the reduction of claims specified on the performance data sheet and at iapmort.org.

Rated capacity

847200 – 102 gallons (386 litres)

847201 – 170 gallons (643 litres)

Flow rate

0.5 gpm (1.89 Lpm)

Replacement filter cartridges can be purchased online at fisherpaykel.com or by calling Fisher & Paykel Customer Care. Details of the replacement filter cartridge are labelled on the cartridge.

Office address

Fisher & Paykel Appliances Ltd
PO Box 58550
Botany
Auckland 2163
New Zealand

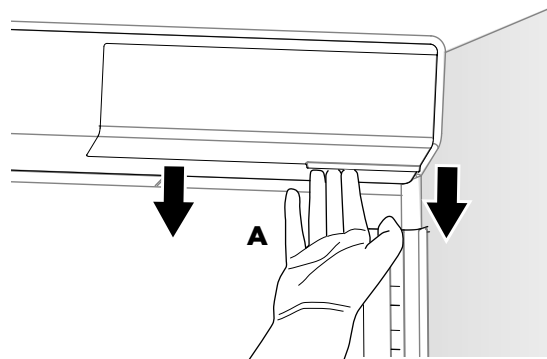
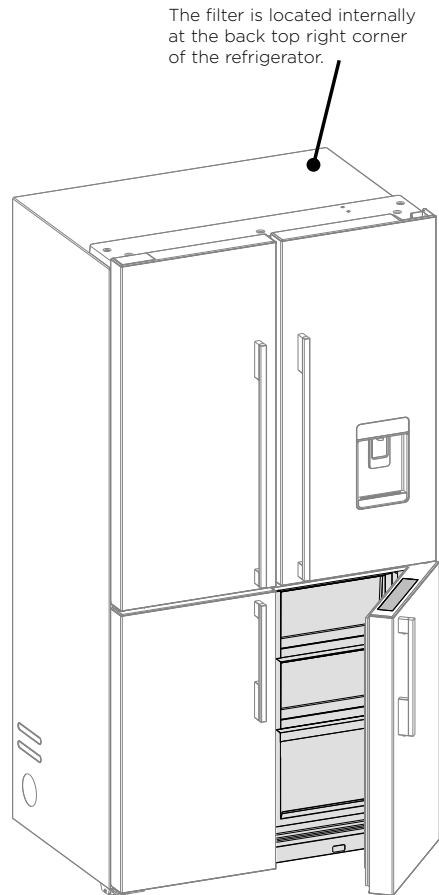
Customer Care

Phone: +64 9 273 0660

② FOR RF605, RF203, RF523 AND RF172 MODELS

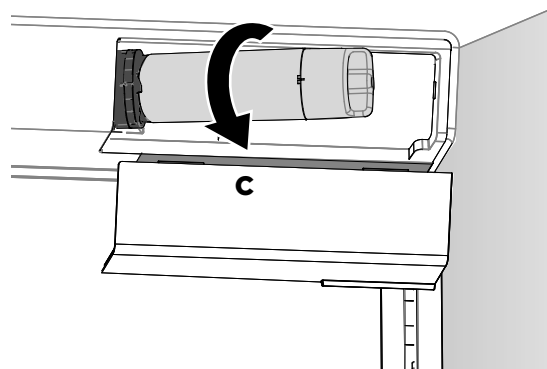
Removing the old filter

Note: It is not necessary to turn the water supply off when removing the water filter. It is easier to remove the water filter with the water turned on.

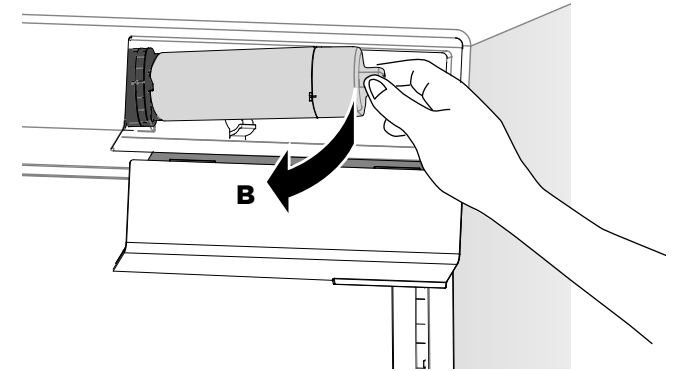


- ① Find the filter cover on the back wall, top right of your refrigerator.
- ② Pull the tab (A) at the bottom of the cover towards you to release. The cover will slide down upon release.

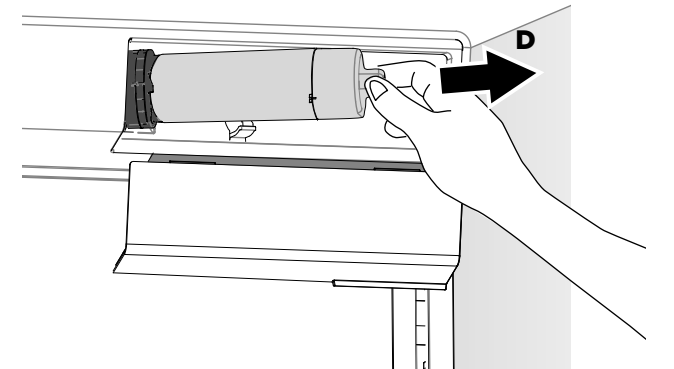
Note: Remove the top shelf if you need more space while removing the filter.



- ④ Rotate the filter counterclockwise 90°. The filter should release from the filter head (C), if it does not, pull the filter toward you.



- ③ Hold the base of the filter firmly and pull towards you (B).

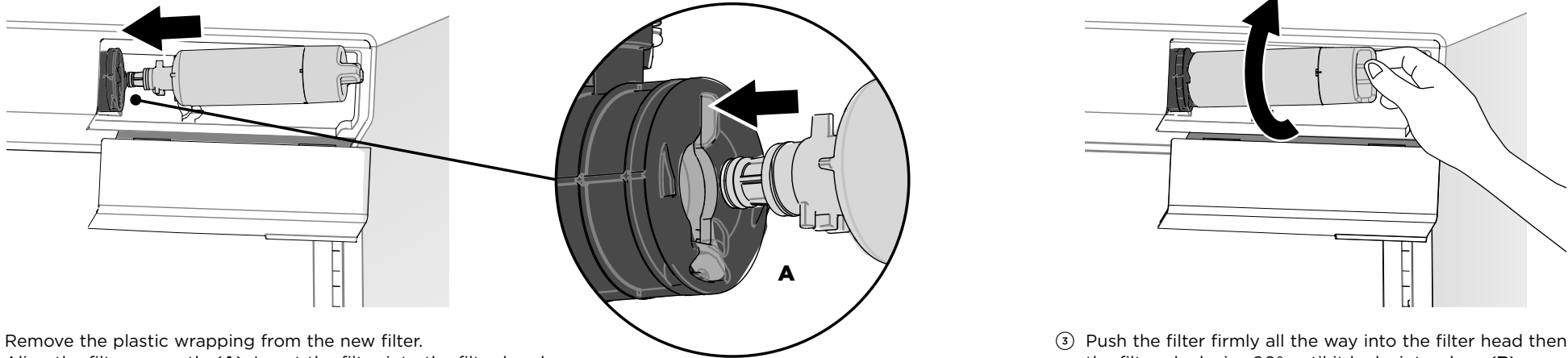


- ⑤ Pull out the filter (D) to remove it from the filter head. Discard the old filter.
 - If the filter is difficult to remove, run water through the filter by dispensing water.
 - A small amount of water will drip after you remove the filter. This is normal.

② FOR RF605, RF203, RF523 AND RF172 MODELS

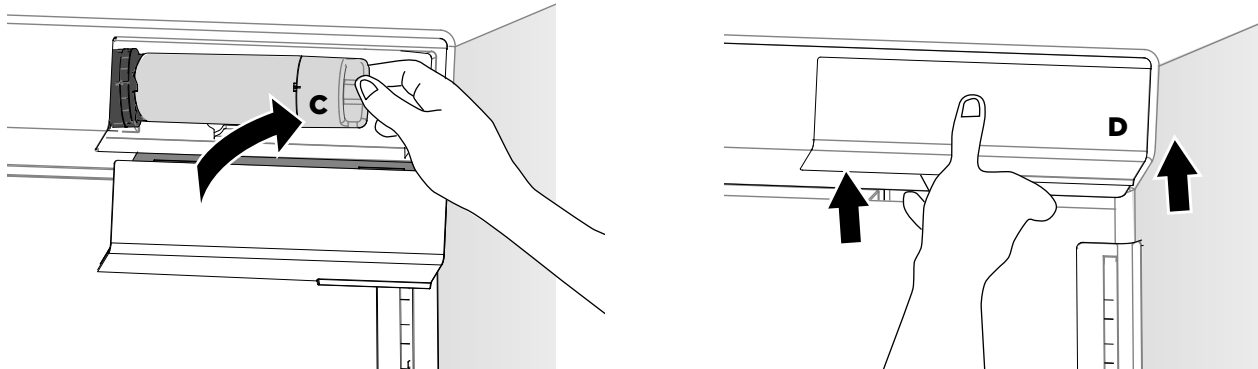
Installing the new filter

Note: It is not necessary to turn the water supply off when installing the water filter.



- ① Remove the plastic wrapping from the new filter.
- ② Align the filter correctly (**A**). Insert the filter into the filter head.

- ③ Push the filter firmly all the way into the filter head then rotate the filter clockwise 90° until it locks into place (**B**).
 - If the filter will not turn, ensure the filter is correctly aligned (**A**), to allow the filter to be pushed firmly into the filter head.
 - Ensure the filter is fully rotated 90° to allow the water to flow.



- ④ Push the entire filter back into the bracket (**C**).

- ⑤ Push the cover up and into the slots at the top of the filter housing until it clicks and the base locks firmly into place (**D**).

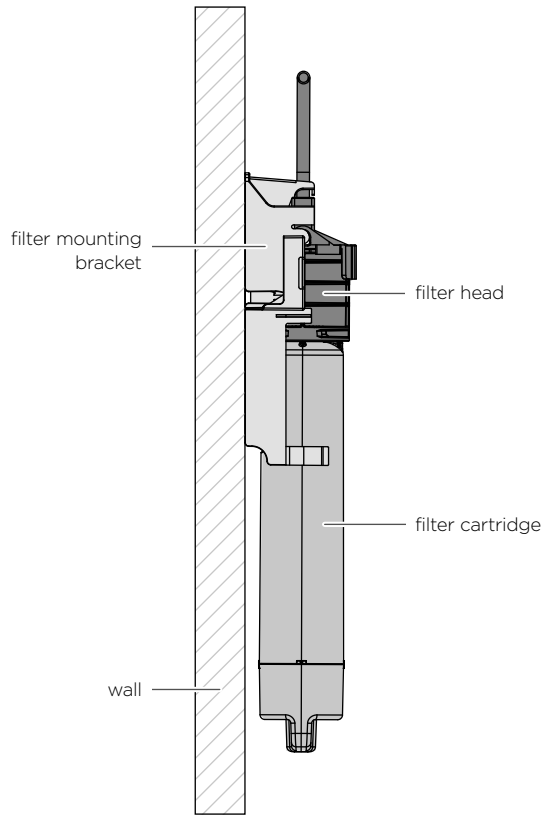
IMPORTANT!

After installation, the water filter MUST be flushed. Refer to 'Flushing the water filter' for details.

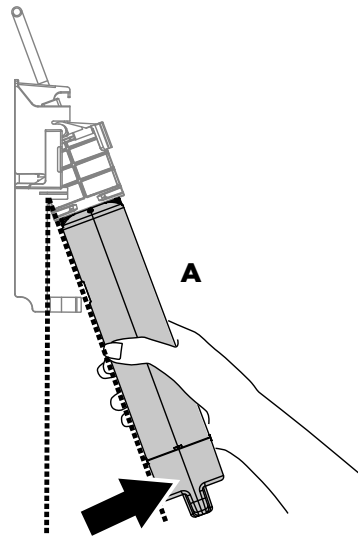
③ FOR REFRIGERATORS WITH EXTERNAL FILTER

Removing the old filter

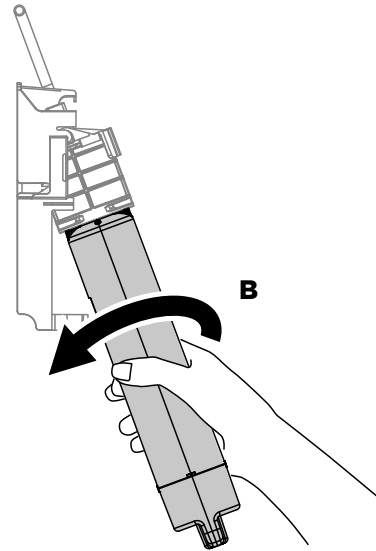
Note: It is not necessary to turn the water supply off when removing the water filter. It is easier to remove the water filter with the water turned on.



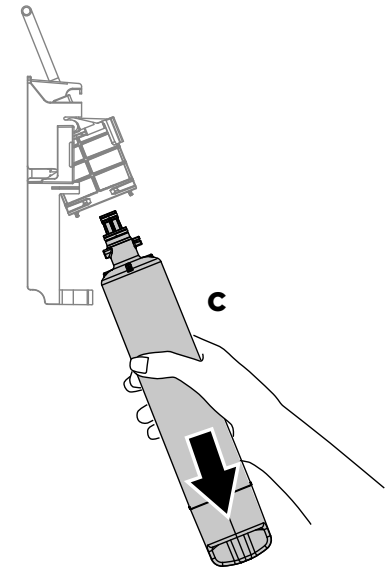
External water filter attached to wall



- ① Hold the base of the filter firmly and pull towards you. The filter will tilt towards you from the bracket (**A**).



- ② Rotate the filter counterclockwise until it releases from the filter head (**B**).
- If the filter is difficult to remove, run water through the filter by dispensing water.

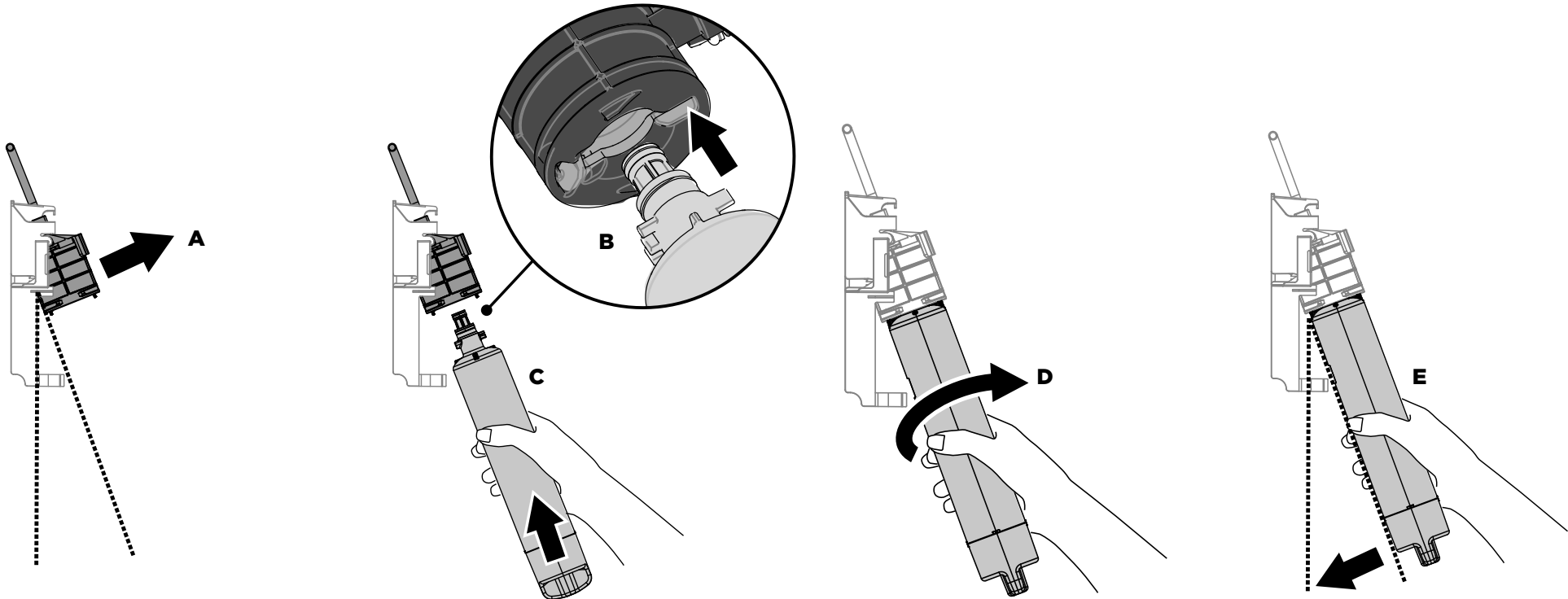


- ③ Pull down vertically to remove the filter from the bracket (**C**). Discard the old filter.
- A small amount of water will drip after you remove the filter. This is normal.

③ FOR REFRIGERATORS WITH EXTERNAL FILTER

Installing the new filter

Note: It is not necessary to turn the water supply off when installing the water filter.



- ① Remove the plastic wrapping from the new filter.
- ② Pull the filter head towards you (A).

- ③ Align the filter correctly (B). Insert the filter into the filter head (C).

- ④ Push the filter firmly all the way into the filter head then rotate the filter clockwise 90° until it locks into place (D).
 - If the filter will not turn, ensure the filter is correctly aligned (B), to allow the filter to be pushed firmly into the filter head.
 - Ensure the filter is fully rotated 90° to allow the water to flow.

- ⑤ Push the entire filter back into the bracket (E).

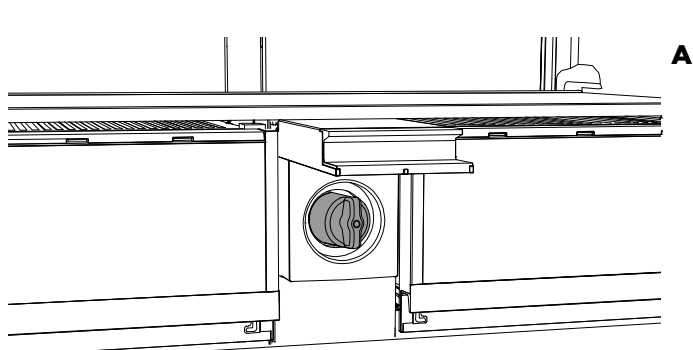
IMPORTANT!

After installation, the water filter MUST be flushed. Refer to 'Flushing the water filter' for details.

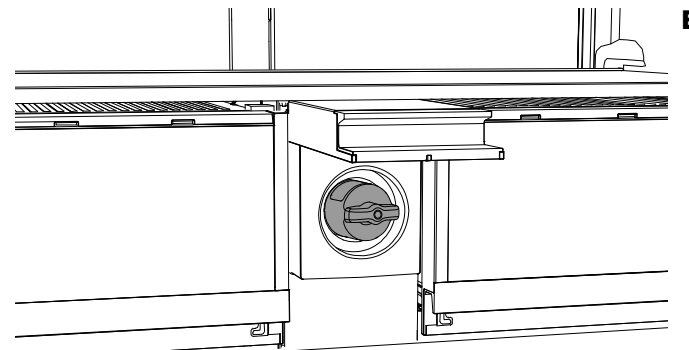
④ FOR RF730Q MODELS

Removing the old filter

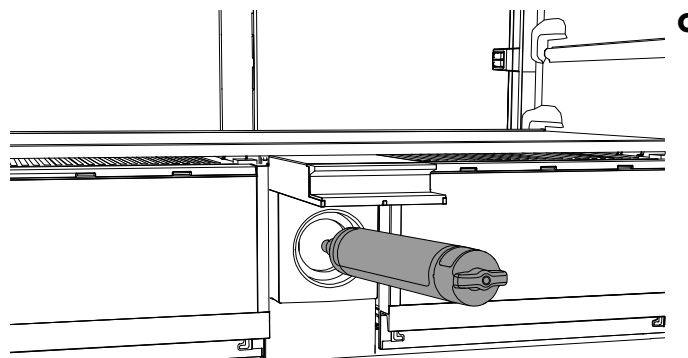
Note: It is not necessary to turn the water supply off when removing the water filter. It is easier to remove the water filter with the water turned on.



- ① Locate the filter hatch between the two produce bins inside the fresh food compartment. Lift the hatch to access the filter tool (A).



- ② Turn the filter tool 90° counterclockwise to the unlock position (B).

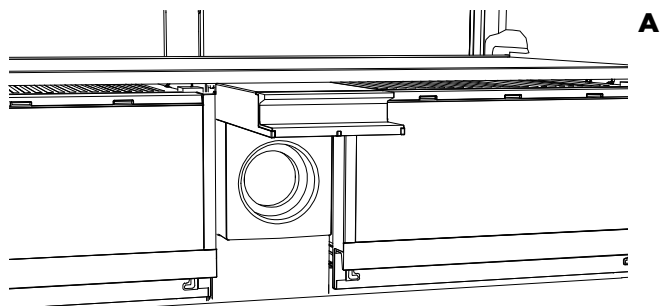


- ③ Pull out the filter from the filter casing. Discard the old filter (C).
- If you have difficulty removing the filter, an additional tool may be required e.g. pliers (not supplied).

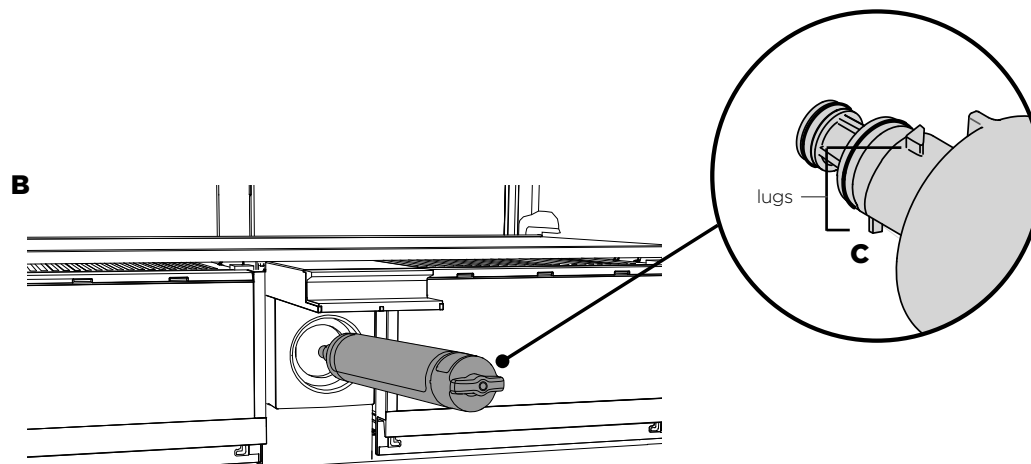
④ FOR RF730Q MODELS

Installing the new filter

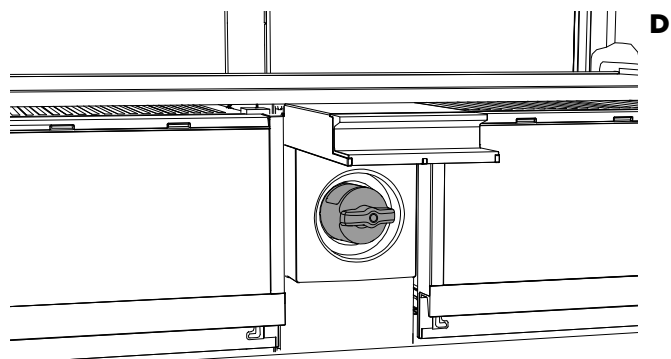
Note: It is not necessary to turn the water supply off when installing the water filter.



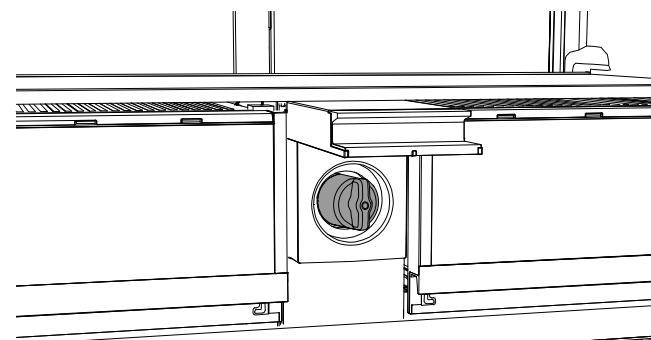
- ① Locate the filter hatch between the two produce bins inside the fresh food compartment. Lift the hatch to access the filter tool (A).



- ② Align the filter correctly (B). Insert the filter into the filter housing until the tool is flush and in the unlock position (C).



- ③ Push the filter firmly in and rotate clockwise 90° into the lock position (D) to allow water to flow.
- If the filter will not turn, ensure the filter is correctly aligned, (C) to allow the filter to be pushed firmly into the filter head.



- ④ Close the filter hatch.

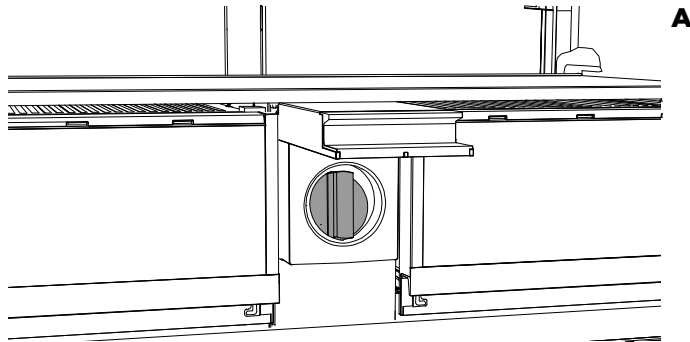
IMPORTANT!

After installation, the water filter MUST be flushed. Refer to 'Flushing the water filter' for details.

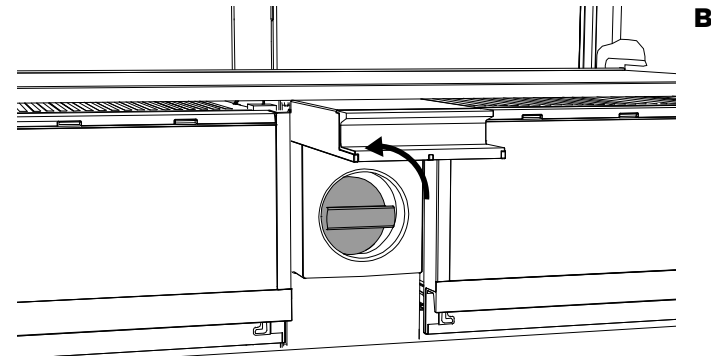
⑤ FOR RF730Q MODELS WITH FILTER TOOL

Removing the old filter

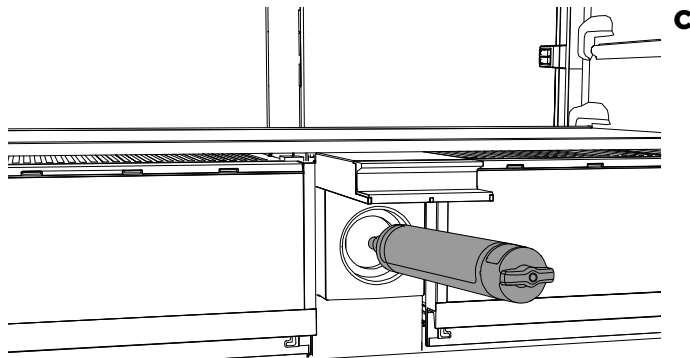
Note: It is not necessary to turn the water supply off when removing the water filter. It is easier to remove the water filter with the water turned on.



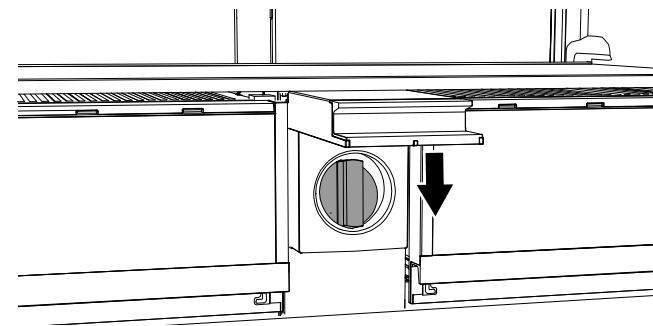
- ① Locate the filter hatch between the two produce bins inside the fresh food compartment. Lift the hatch to access the filter tool (A).



- ② Turn the filter tool 90° counterclockwise to the unlock position (B).



- ③ Remove the tool and pull out the filter from the filter casing. Discard the old filter (C).
 - If you have difficulty removing the filter, an additional tool may be required e.g. pliers (not supplied).

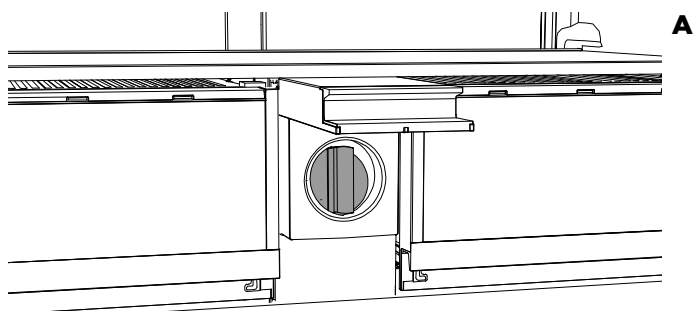


- ④ Return the filter tool to its storage position and close the filter hatch.

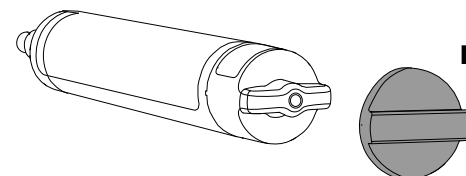
⑤ FOR RF730Q MODELS WITH FILTER TOOL

Installing the new filter

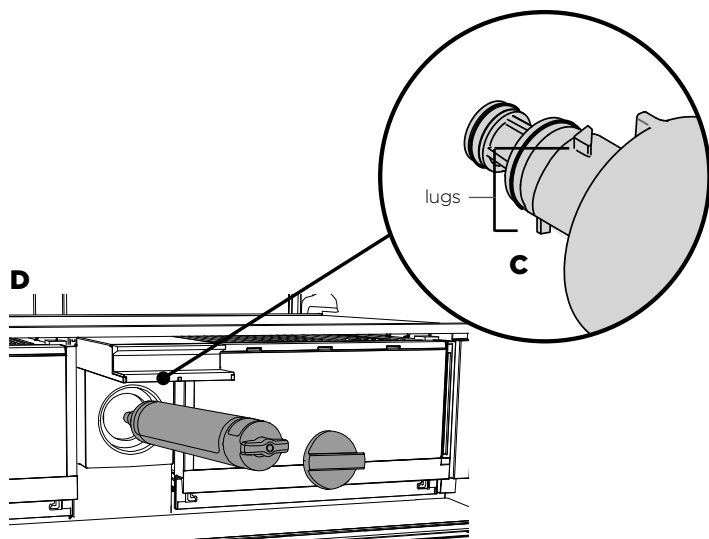
Note: It is not necessary to turn the water supply off when installing the water filter.



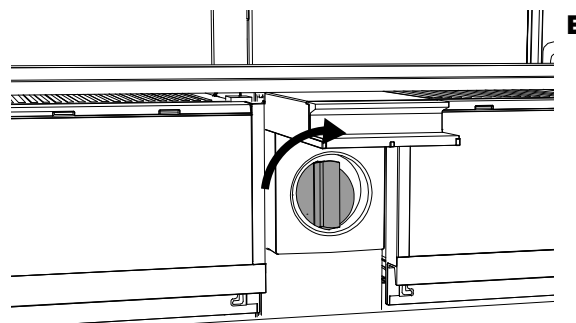
- ① Locate the filter hatch between the two produce bins inside the fresh food compartment. Lift the hatch to access the filter tool (A).



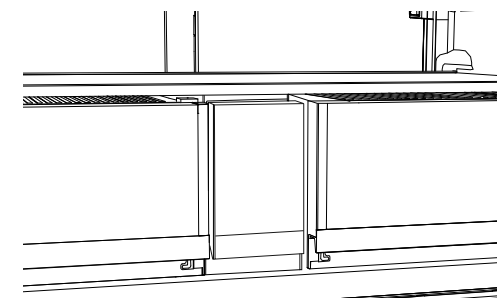
- ② Remove the plastic wrapping from the new filter.
- ③ Place the filter tool on the filter handle (B).



- ④ Align the filter correctly (C). Insert the filter into the filter housing until the tool is flush and in the unlock position (D).



- ⑤ Push the filter firmly in and rotate clockwise 90° into the lock position (E) to allow water to flow.
 - If the filter will not turn, ensure the filter is correctly aligned, (C) to allow the filter to be pushed firmly into the filter head.



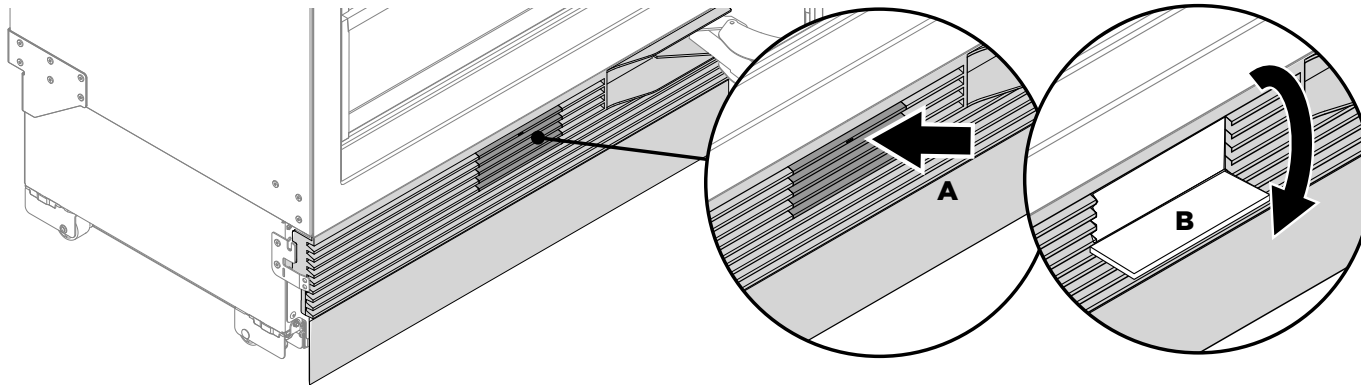
- ⑥ Close the filter hatch.

IMPORTANT!
After installation, the water filter **MUST** be flushed. Refer to 'Flushing the water filter' for details.

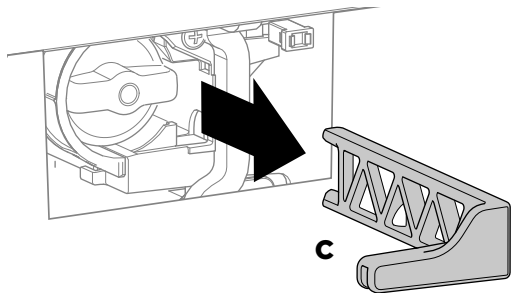
⑥ FOR INTEGRATED COLUMN REFRIGERATORS AND FREEZERS

Removing the old filter

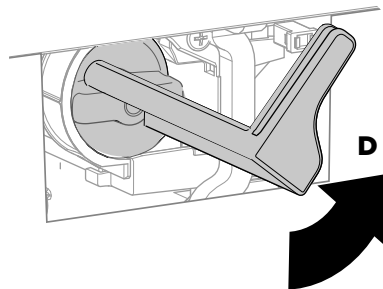
Note: It is not necessary to turn the water supply off when removing the water filter. It is easier to remove the water filter with the water turned on.



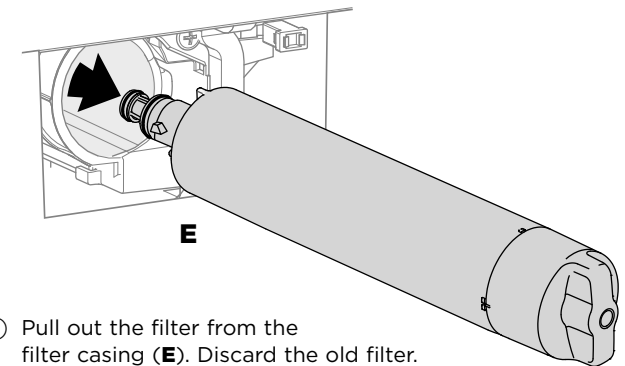
- ① Open the water filter hatch to access the filter (A), press the hatch in then pull the hatch down (B).



- ② Pull the filter tool gently to dislodge from the front of the appliance (C).



- ③ Using the filter tool, rotate the filter head 90° counterclockwise to release (D).

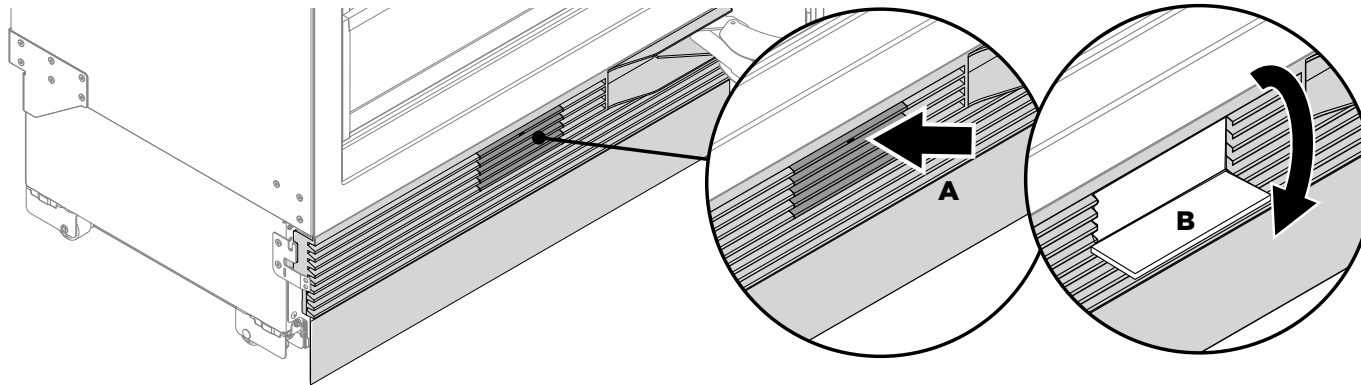


- ④ Pull out the filter from the filter casing (E). Discard the old filter.
- If the filter is difficult to remove, run water through the filter by using the automatic ice maker. Refer to the user guide for your appliance for further details.

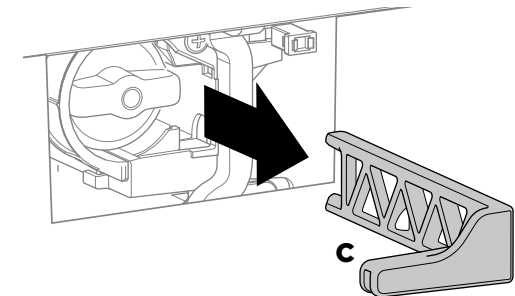
6 FOR INTEGRATED COLUMN REFRIGERATORS AND FREEZERS

Installing the new filter

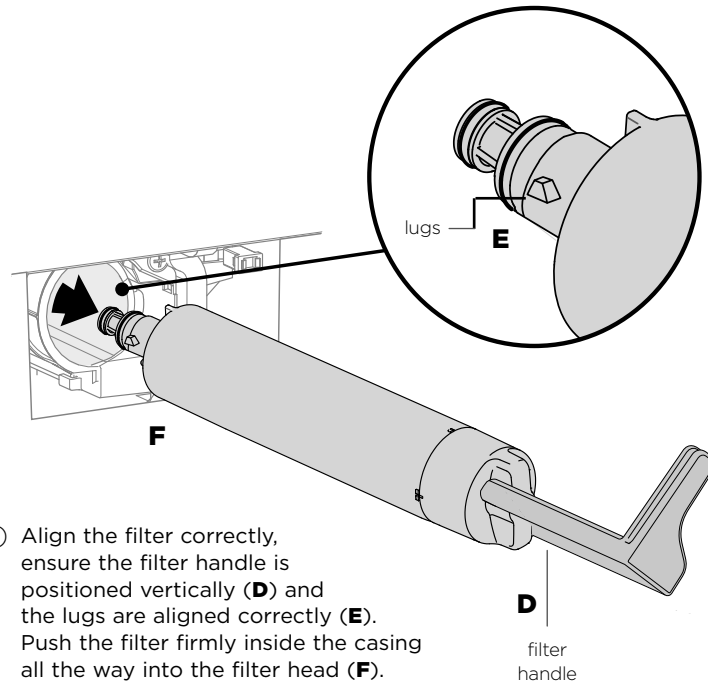
Note: It is not necessary to turn the water supply off when installing the water filter.



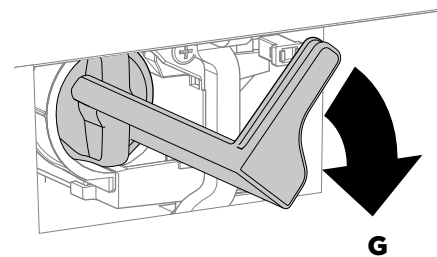
- 1 Remove the plastic wrapping from the new filter.
- 2 Open the water filter hatch to access the filter (A), press the hatch in then pull the hatch down (B).



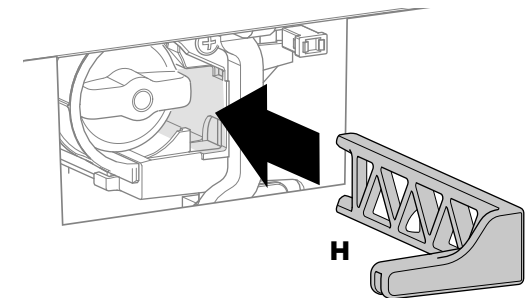
- 3 Pull the filter tool gently to dislodge from the front of the appliance (C).



- 4 Align the filter correctly, ensure the filter handle is positioned vertically (D) and the lugs are aligned correctly (E). Push the filter firmly inside the casing all the way into the filter head (F).



- 5 Using the filter tool, rotate the filter head clockwise 90° to lock in place (G).
 - If the filter will not turn, ensure the filter is correctly aligned (D & E), to allow the filter to be pushed firmly into the filter head.
 - Ensure the filter is fully rotated 90° to allow the water to flow.



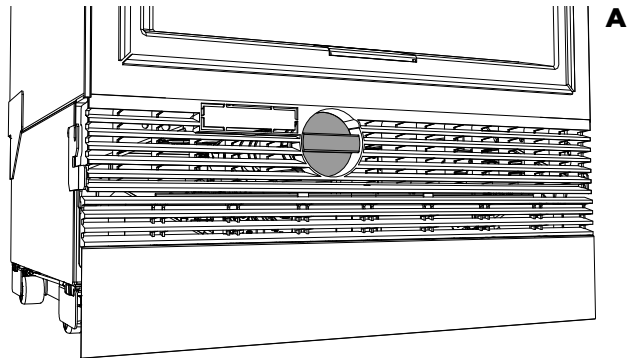
- 6 Return the filter tool to its storage position (H).

IMPORTANT!
After installation, the water filter **MUST** be flushed.
Refer to 'Flushing the water filter' for details.

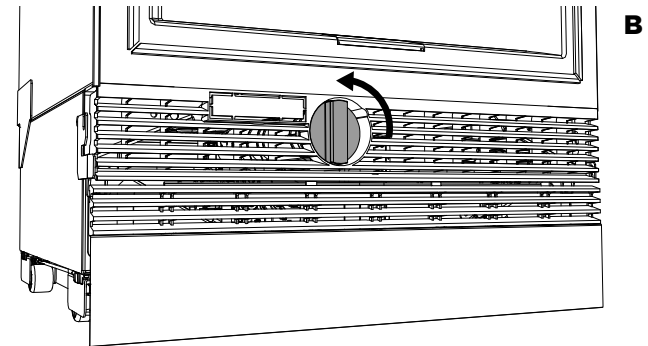
⑦ FOR INTEGRATED COLUMN REFRIGERATOR FREEZER MODELS

Removing the old filter

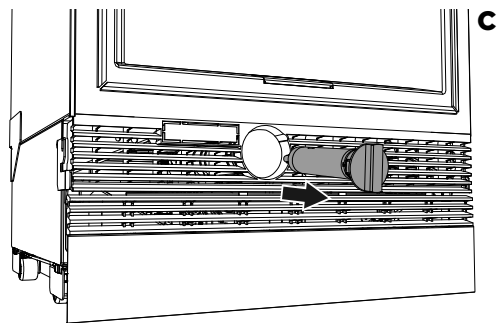
Note: It is not necessary to turn the water supply off when removing the water filter. It is easier to remove the water filter with the water turned on. The filter can be accessed from the side of the drawer.



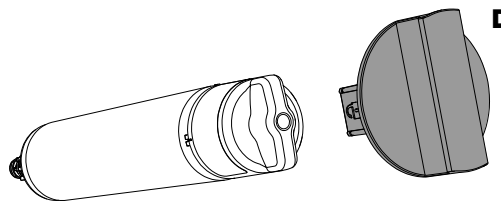
- ① Open the freezer drawer to access the filter tool in the middle of the grille (**A**).



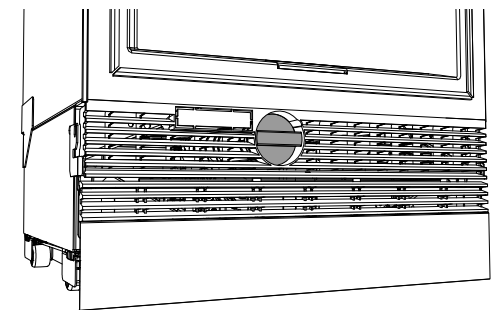
- ② Rotate the filter tool 90° counterclockwise to release (**B**).



- ③ Pull out the filter tool and filter from the filter casing. If the filter is difficult to remove, run water by using the water dispenser. Refer to the user guide for your appliance for further details. (**C**).



- ④ Remove the filter tool from the filter handle. Discard the old filter. (**D**).

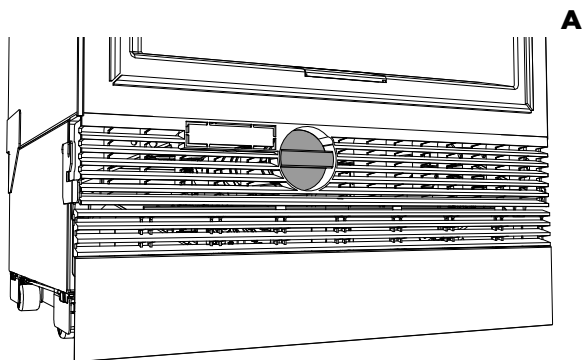


- ⑤ Return the tool to its storage position.

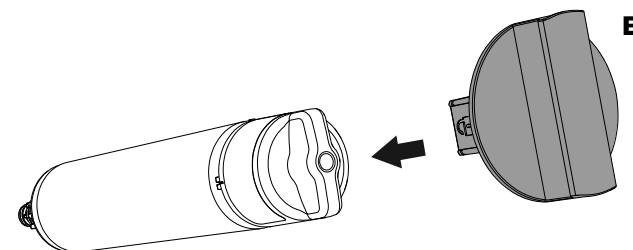
⑦ FOR INTEGRATED COLUMN REFRIGERATOR FREEZER MODELS

Installing the new filter

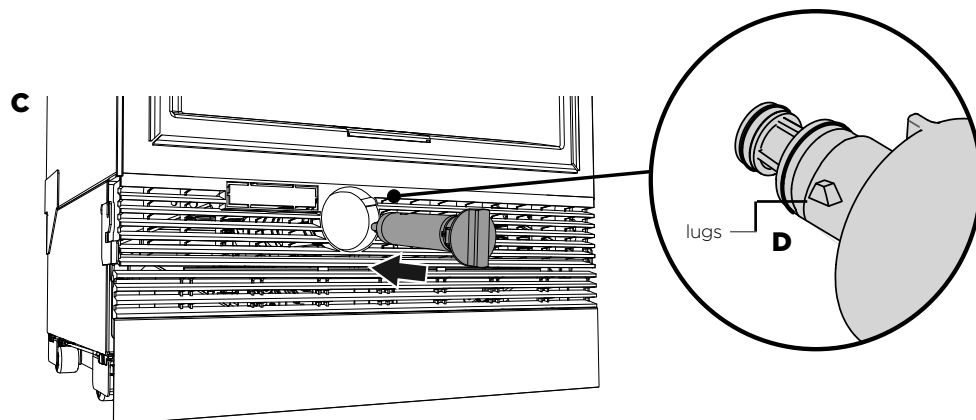
Note: It is not necessary to turn the water supply off when installing the water filter.



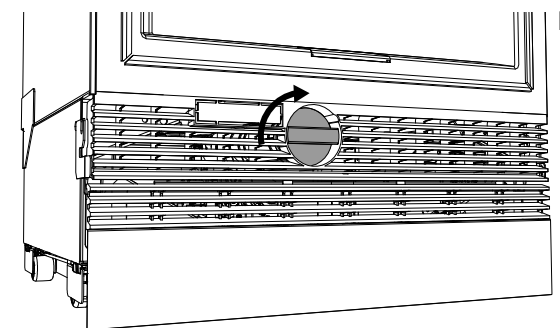
- ① Remove the plastic wrapping from the new filter.
- ② Open the freezer drawer to access the filter tool in the middle of the grille (A).



- ③ Pull the filter tool gently to dislodge from the front of the appliance (B). Place the tool on the filter handle.



- ④ Align the filter correctly, ensure the filter tool is positioned vertically (C) and the lugs are aligned correctly (D). Push the filter inside the casing all the way and rotate the filter tool until it fits in place.



- ⑤ Using the filter tool, rotate the filter head clockwise 90° to lock in place (E).
 - If the filter will not turn, ensure the filter is correctly aligned, to allow the filter to be pushed firmly into the filter head.
 - Ensure the filter is fully rotated 90° to allow the water to flow.

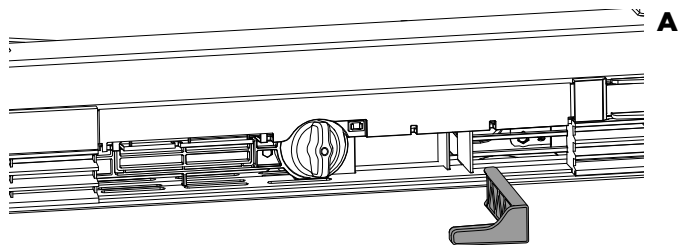
IMPORTANT!

After installation, the water filter MUST be flushed. Refer to 'Flushing the water filter' for details.

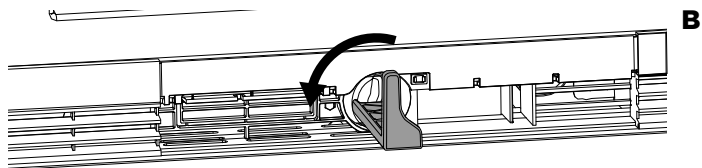
Removing the old filter

Note: It is not necessary to turn the water supply off when removing the water filter. It is easier to remove the water filter with the water turned on.

The filter is located behind the toe kick grille.



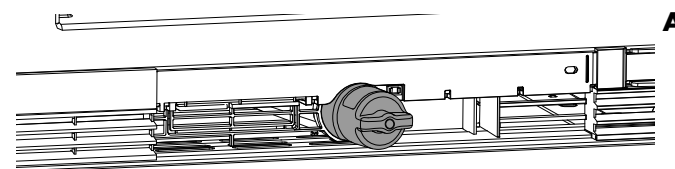
- ① Push grille flap to access filter. Pull tool outwards to remove (A).



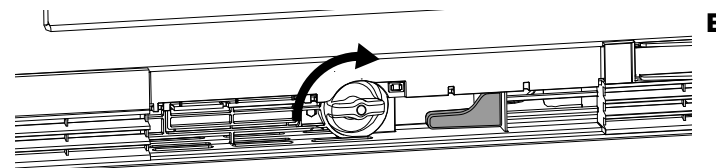
- ② Using the filter tool, rotate filter 90° anti-clockwise to unlock and remove (B).
- If you have difficulty removing the filter, an additional tool may be required e.g. pliers (not supplied).

Installing the new filter

Note: It is not necessary to turn the water supply off when installing the water filter.



- ① Remove packaging. Ensure filter handle is positioned horizontally and push all the way in. Rotate clockwise to lock into place (A).



- ② Slot tool into place and push to close the grille flap (B).

IMPORTANT!
After installation, the water filter **MUST** be flushed.
Refer to 'Flushing the water filter' for details.

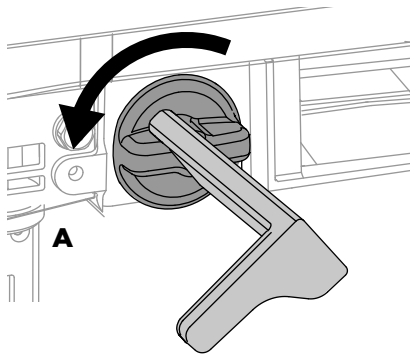
9 FOR INTEGRATED FRENCH DOOR REFRIGERATOR FREEZER

Removing the old filter

Note: It is not necessary to turn the water supply off when removing the water filter. It is easier to remove the water filter with the water turned on.

The filter is located behind the toe kick grille.

- 1 Remove toe kick grille by inserting fingers into the left and right square openings on the grille. Pull grille towards you.
- 2 Pull the freezer drawer out slightly, the filter is located on the left-hand side.

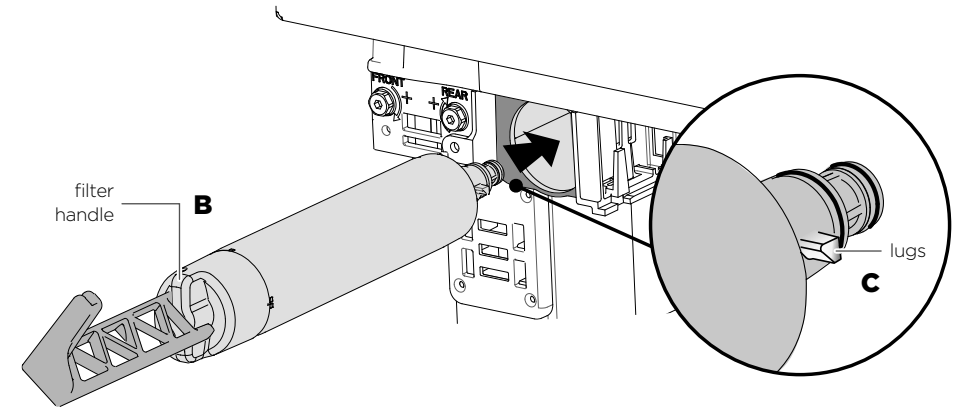


- 3 Using the filter removal tool, align the tool to the cartridge handle and turn 90° counterclockwise to loosen (A).
- 4 Remove the tool, grasp firmly onto the cartridge handle and pull towards you to remove. Discard the old filter.
 - If the filter is difficult to remove, run water through the filter by dispensing water or using the automatic ice maker.
 - A small amount of water will drip after you remove the filter. This is normal.

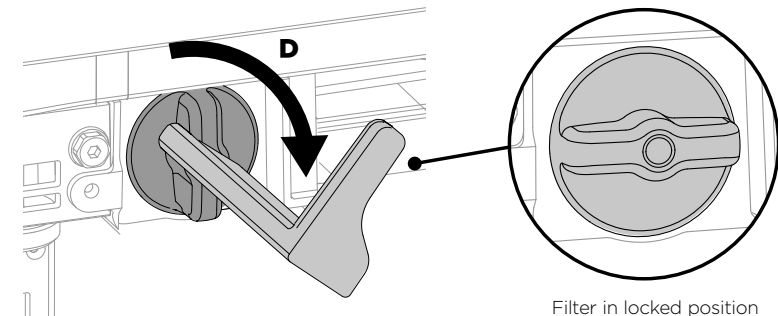
Installing the new filter

Note: It is not necessary to turn the water supply off when installing the water filter.

- 1 Remove the plastic wrapping from the new filter.
- 2 Remove toe kick grille by inserting fingers into the left and right square openings on the grille. Pull grille towards you.



- 3 Pull the freezer drawer out slightly to access the filter casing. Align the filter correctly, ensure the filter handle is positioned vertically (B) and the lugs are aligned correctly (C).
- 4 Push the filter firmly inside the casing all the way into the filter head.



- 5 Using the filter tool, rotate the filter head clockwise 90° to lock in place (D).
 - If the filter will not turn, ensure the filter is correctly aligned (B & C), to allow the filter to be pushed firmly into the filter head.
- 6 Remove filter removal tool and close the freezer drawer.

IMPORTANT!

After installation, the water filter **MUST** be flushed. Refer to 'Flushing the water filter' for details.

Flushing the water filter

For optimal performance, there is a requirement to flush 8L (2 gal) of water through your new water filter before use.

For models with water dispensers:


Flushing must be completed through both the water dispenser and ice maker.

For models with ice makers only:


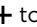
Flushing must be completed through the ice maker.

For some models, a safety lockout feature may activate during the flushing of your water filter. If this occurs, wait a few minutes before dispensing again. For flushing information for your specific model, refer to your products User Guide.

Resetting the filter indicator

A replacement indicator  of filter reminder message will show on the control panel of your product when you need to replace the water filter.

To reset indicator

- Press  and  together for 4 seconds.
- To reset the filter reminder message, follow onscreen instructions.

IMPORTANT!

- **We recommend the water filter to be used from the time of installation.**
- **Do not reset indicator before filter is changed or filter monitoring will be inaccurate.**

FISHERPAYKEL.COM

© Fisher & Paykel Appliances 2022. All rights reserved.

The models shown in this guide may not be available in all markets
and are subject to change at any time.

The product specifications in this guide apply to the specific products and models described at the
date of issue. Under our policy of continuous product improvement, these specifications may change
at any time.

For current details about model and specification availability in your country, please go to our
website or contact your local Fisher & Paykel dealer.

849725B 10.22