

Oven, 60cm, 9 Function, Self-cleaning

Series 7 | Minimal

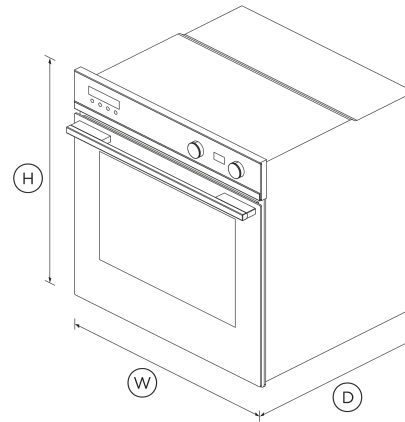
Black

With generous capacity and beautiful black Minimal styling, this built-in oven will complement your kitchen design perfectly.

- 85L total capacity, with 9 oven functions including Pizza Bake and Roast
- Moisture level control with ActiveVent™ technology
- Pyrolytic self-cleaning function breaks down food residue for an easy clean
- Non-tip, full-extension shelves for safe removal of hot dishes

DIMENSIONS

Height	598 mm
Width	596 mm
Depth	565 mm



FEATURES & BENEFITS

Multi-Function Flexibility

Nine functions including Roast, Pizza Bake and Fan Grill mean no matter what you're cooking, you've got the right heat to match.

Beauty Of Choice

With the choice of stylish stainless steel or elegant black, you can choose the finish that complements your kitchen design best.

Generous Capacity

With a generous-sized internal cavity, you can create several dishes at once using multiple shelves.

Activevent Technology

With ActiveVent technology for optimised moisture levels and AeroTech™ for even heat distribution, you'll get perfect results even when using multiple shelves.

Simple Cleaning

Pyrolytic self-clean breaks down food residue at a very high temperature, leaving a light ash that's easily removed with a damp cloth.

Safe And Sound

The CoolTouch door features triple glazing and a cooling system that ensures it's safe to touch from the outside - protecting both your hands and the surrounding cabinetry.

SPECIFICATIONS

Accessories (included)

Flat brushed baking tray	1
Roasting dish	1
Step down wire shelf	1
Telescopic clip-on runners	1
Wire shelf	1

Accessories (sold separately)

Optional round handle	Part 81645
-----------------------	------------

Capacity

Shelf positions	6
Total capacity	85 L
Usable capacity	72 L

Cleaning

Acid resistant graphite enamel	•
Pyrolytic self-clean	•

Removable oven door	•	AeroTech™ technology	•
Removable oven door inner glass	•	Automatic rapid pre-heat	•
Removable shelf runners	•	Grill power	3000 W
		Whisper quiet cooking	•

Controls

Audio feedback	•	Power requirements	
Automatic cooking/minute timer	•	Amperage	15 A
Automatic pre-set temperatures	•	Supply frequency	50 Hz
Celsius/Fahrenheit temperature	•	Supply voltage	220 - 240 V
Electronic clock	•		
Electronic oven control	•		
Soft close doors	•	Product dimensions	

Functions

Bake	•	Depth	565 mm
Classic bake	•	Height	598 mm
Fan bake	•	Width	596 mm
Fan forced	•		
Fan grill	•	Safety	
Grill	•	Balanced oven door	•
Number of functions	9	Catalytic venting system	•
Pastry Bake with Pizza mode	•	Control panel key lock	•
Pizza bake	•	CoolTouch door	•
Pyrolytic self-clean	•	Non-tip shelves	•
Roast	•		
		SKU	82149

Performance

ActiveVent™ system	•
--------------------	---

The product dimensions and specifications in this page apply to the specific product and model. Under our policy of continuous improvement, these dimensions and specifications may change at any time. You should therefore check with Fisher & Paykel's Customer Care Centre to ensure this page correctly describes the model currently available. © Fisher & Paykel Appliances Ltd 2020

Other product downloads available at fisherpaykel.com

- [↓](#) 2D-DWG Oven
- [↓](#) 2D-DXF Oven
- [↓](#) Data Sheet Oven
- [↓](#) Service & Warranty
- [↓](#) Installation Guide
- [↓](#) Revit Oven
- [↓](#) Rhino Oven
- [↓](#) Restriction of Hazardous Substances
- [↓](#) Restriction of Hazardous Substances
- [↓](#) SketchUp Oven
- [↓](#) User Guide

Where applicable:

All appliances use energy, and energy usage typically generates carbon emissions. **Fisher & Paykel Appliances' In-use Energy Carbon Emissions Estimate** indicates carbon emissions from a product's in-use energy. This is calculated either annually or per cycle, using the product's market-specific energy label energy consumption data multiplied by the carbon emissions factor for energy in your country or region.

Our In-use Energy Carbon Emissions Estimate is designed to assist customers in making informed purchasing decisions when comparing different Fisher & Paykel products. For example, a heat pump dryer typically has a lower In-use Energy Carbon Emissions Estimate than a vented dryer.