

Double DishDrawer Dishwasher, Sanitise

Series 9 | Contemporary

Black Stainless Steel



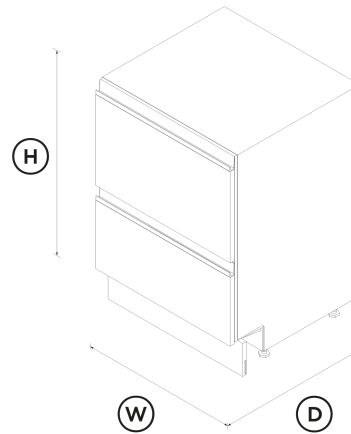
Wash one drawer while you load the other, with room in each drawer for full-size dinner plates.

- Designed to be installed under your benchtop, with recessed handles for a seamless look
- Six wash programs, as well as additional Quick wash, Sanitise and Extra Dry modifiers
- Flexible racking allows you to customise internal shelves to suit your needs

- Wi-Fi enabled and works with the SmartHQ™ app for remote control and notifications

DIMENSIONS

Height	820 - 880 mm
Width	599 mm
Depth	573 mm



FEATURES & BENEFITS

Seamless Fit

Our built-under DishDrawer™ Dishwashers are installed flush under your benchtop with the option of a custom kickstrip, ensuring minimal gaps. Designed to match the Fisher & Paykel family of kitchen appliances with recessed handles for a streamlined look.

Ease Of Use

DishDrawer™ Dishwashers are as easy to open and close as kitchen drawers and can be conveniently positioned at bench height for ease of loading and minimal bending. Flexible racking allows you to make adjustments to fit in a variety of dishes.

Quick, Sanitise And Extra Dry Options

The Quick wash modifier delivers a faster wash while maintaining performance. The Sanitise option provides extra protection, killing 99.9% of bacteria* in the final rinse. The Extra Dry setting is perfect for plastic dishes.

*Certified to NSF/ANSI Standard 184

Beauty Of Choice

As much a design component as a high performance appliance, the black DishDrawer™ Dishwasher brings a touch of sophistication to your kitchen, on its own or part of a matching kitchen appliance set.

Knock To Pause

For ease-of-use, these DishDrawer™ Dishwashers have a knock to pause function. A knock on the front panel will pause the dishwasher, which can be restarted by using the start button.

True Half Load

Each drawer holds a true half load for small, fast washing that won't waste water. Both drawers operate independently so two wash cycles can operate simultaneously to allow for varying loads.

Quiet Performer

Running at a very low decibel rating, these DishDrawer™ Dishwashers do their job without making a fuss. The combination of intelligent technology and simple mechanics means greater reliability and excellent wash performance.

SPECIFICATIONS

Accessories (included)		Keylock	•	Width	599 mm
Cutlery basket	•	Knock to pause	•		
Kickstrip	true	Rinse aid indicator light	•		
Knife clip and multipurpose clip	•	Smart appliance	•	Warranty	
		Wi-Fi connectivity	•	Parts and labour	5 years
Capacity and loading		Features		Wash Program Modifiers	
Accommodates round plates up to	280mm	Built-in water softener	•	Extra Dry	•
Adjustable height, foldable cupracks	•	Fan assisted drying	•	Quick	•
Fold down tines	•	Flood protection	•	Sanitise	•
Pitch adjustable tines	•	Flow through detergent dispenser	•	Wash modifiers	3
Place settings	12	Motor type	BLDC		
Place settings	12	Quiet operation	•	Wash Programs	
Place settings per drawer	6	SmartDrive™ technology	•	Delicate	•
Place settings per drawer	6			Eco	•
Consumption		Performance		Fast	•
Energy rating	E	Noise on standard cycle top drawer	42 dBA	Heavy	•
Energy usage	54kWh/100 cycles per drawer			Medium	•
In-use energy carbon emissions estimate	16.7kgCO2e/100 cycles per drawer	Power requirements		Rinse	•
Water usage (per wash cycle)	7.8L per drawer	Amperage	10A	Wash programs	6
		Rated current	8.5 A		
Controls		Supply frequency	50Hz	Water connection	
Energy saving delay start option of up to 12 hours	•	Supply voltage	220 - 240V	Water pressure	100kPa - 1000kPa
Internal wash selector	•	Product dimensions		Water supply	3/4" BSP (20mm) Connector Water Inlet Hose
Intuitive capacitive touch controls	•	Depth	573 mm		
		Height	820 - 880 mm		
				SKU	82895

The product dimensions and specifications in this page apply to the specific product and model. Under our policy of continuous improvement, these dimensions and specifications may change at any time. You should therefore check with Fisher & Paykel's Customer Care Centre to ensure this page correctly describes the model currently available. © Fisher & Paykel Appliances Ltd 2020



A PEACE OF MIND SALE
24 Hours 7 Days a Week Customer Support
T 1800 625174 W www.fisherpaykel.com

Other product downloads available at fisherpaykel.com

- [↓ Declaration of Conformity Double DishDrawer™ Dishwasher](#)
- [↓ Energy Label DishDrawer™ Dishwasher](#)
- [↓ Service & Warranty](#)
- [↓ Installation Guide Double DishDrawer™ Dishwasher](#)
- [↓ Product Information Sheet Double DishDrawer™ Dishwasher](#)
- [↓ Preliminary Specification Guide Double DishDrawer™ Dishwasher](#)
- [↓ User Guide DishDrawer™ Dishwasher](#)
- [↓ Wash Program Data DishDrawer™ Dishwasher](#)

Where applicable:

All appliances use energy, and energy usage typically generates carbon emissions. **Fisher & Paykel Appliances' In-use Energy Carbon Emissions Estimate** indicates carbon emissions from a product's in-use energy. This is calculated either annually or per cycle, using the product's market-specific energy label energy consumption data multiplied by the carbon emissions factor for energy in your country or region.

Our In-use Energy Carbon Emissions Estimate is designed to assist customers in making informed purchasing decisions when comparing different Fisher & Paykel products. For example, a heat pump dryer typically has a lower In-use Energy Carbon Emissions Estimate than a vented dryer.