

# 17.5 cu ft Series 5 Refrigerator Freezer

Series 5 | Contemporary

Stainless Steel | Left hinge

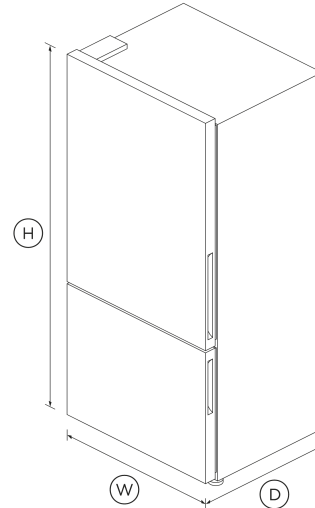


This stylish left hinge refrigerator comes in timeless stainless steel with concealed handles for a more streamlined look.

- Ultra flat door conceals handles for streamlined look
- Bottom freezer
- ActiveSmart™ helps keep food fresher for longer

## DIMENSIONS

Height	67 3/4 "
Width	31 1/8 "
Depth	27 3/8 "



## FEATURES & BENEFITS

### ActiveSmart™ Foodcare

Every time you open your refrigerator, the temperature around your food changes. ActiveSmart™ foodcare adjusts airflow to create a stable temperature, helping your food stay fresher for longer.

### Clever Energy

Your refrigerator adapts to daily use by cooling and defrosting only when needed. This means your refrigerator uses the energy it needs without compromising on food care.

### Humidity Control

Your fruit and veges need different environments. The humidity control slides in each storage bin create a microclimate that helps keep food fresher for longer.

### Easy Cleaning

No more permanent dirty marks with our EZKleen feature for stainless steel refrigerators. Anti-fingerprint coating means you simply wipe clean any marks. Spill-safe secure glass shelves easily capture any drips or leaks.

### Design Quality

Our refrigerators are designed and built using quality materials. We use real stainless steel on our refrigerators and solid glass for shelving.

## SPECIFICATIONS

### Accessories (sold separately)

Matching Replacement Water Filter Model	N/A
---	-----

### Capacity

Total gross capacity	17.5 cu ft
Volume	17.5 cu ft
Volume freezer	5.2 cu ft
Volume refrigerator	12.3 cu ft

### Consumption

Energy rating	Energy star
Energy usage	454kWh/year
In-use energy carbon emissions estimate	166.4kgCO2e/year

**Controls**

Control Type	<b>Electronic</b>
--------------	-------------------

- Slide Out Pastry Tray •
- Small plastic bins •

Depth (including handles)	<b>VARIABLE "</b>
Height	<b>67 3/4 "</b>
Minimum air clearance at rear	<b>1 3/16 "</b>
Minimum air clearance each side	<b>1 3/16 "</b>
Minimum air clearance on top	<b>2 "</b>
Width	<b>31 1/8 "</b>

**Features**

Adjustable door shelves	<b>9</b>
Adjustable glass shelves	<b>4</b>
Covered door shelves	<b>2</b>
Door alarm	<b>•</b>
Front levelling feet	<b>•</b>
Fruit and vegetable bins	<b>2</b>
Gallon door shelves	<b>1</b>
Keylock	<b>•</b>
LED lighting	<b>•</b>
Rear rollers	<b>•</b>
Smart appliance	<b>•</b>
SmartTouch control panel	<b>•</b>
Stackable bottle holders	<b>2</b>
Variable temperature control	<b>•</b>
Variable temperature drawer	<b>•</b>

**Installation Dimensions**

Minimum inside width of cabinetry frame	<b>UNKNOWN "</b>
Minimum internal depth of cabinetry	<b>UNKNOWN "</b>
Minimum internal height of cabinetry	<b>UNKNOWN "</b>

- Performance**
- ActiveSmart™ Foodcare •
  - Adaptive defrost •
  - Dual evaporator •
  - Frost free •
  - Frost Free Freezer •
  - Humidity control system •
  - Humidity controlled crisper bins **2**
  - Inverter controlled compressor •
  - Sabbath mode •

**Product information**

Certifications and Listings	<b>N/A</b>
-----------------------------	------------

- Safety and compliance**
- ADA compliant •

- Variable Temp Compartment**
- Bottle chill mode •

**Warranty**

Parts and labor	<b>2 years</b>
Sealed system parts & labor	<b>additional 3 years</b>

**Freezer Features**

Bottle chill	<b>•</b>
Door alarm	<b>•</b>
Door shelves	<b>0</b>
Fast freeze	<b>•</b>
Freezer bins	<b>4</b>
Freezer drawers	<b>4</b>
Ice making rate per day	<b>40 lbs</b>
Large plastic bins	<b>•</b>

**Power Requirements**

Amperage	<b>10 A</b>
Rated current	<b>10 A</b>
Supply frequency	<b>60 Hz</b>
Supply voltage	<b>115 V</b>

**Product Dimensions**

Depth	<b>27 3/8 "</b>
-------	-----------------

SKU	<b>26287</b>
-----	--------------

The product dimensions and specifications in this page apply to the specific product and model. Under our policy of continuous improvement, these dimensions and specifications may change at any time. You should therefore check with Fisher & Paykel's Customer Care Centre to ensure this page correctly describes the model currently available. © Fisher & Paykel Appliances Ltd 2020

Our In-use Energy Carbon Emissions Estimate is designed to assist customers in making informed purchasing decisions when comparing different Fisher & Paykel products. For example, a heat pump dryer typically has a lower In-use Energy Carbon Emissions Estimate than a vented dryer.



**A PEACE OF MIND SALE**  
24 Hours 7 Days a Week Customer Support

T 1.888.936.7872 W [www.fisherpaykel.com](http://www.fisherpaykel.com)

#### Other product downloads available at [fisherpaykel.com](http://fisherpaykel.com)

- [↓](#) 2D-DWG Freestanding Refrigerator Freezer
- [↓](#) 2D-DXF Freestanding Refrigerator Freezer
- [↓](#) Data Sheet Freestanding Refrigerator Freezer
- [↓](#) Energy Label
- [↓](#) Service & Warranty
- [↓](#) Installation Guide - Quick Reference EN
- [↓](#) Installation Guide Refrigerator Freezer EN
- [↓](#) Installation Guide - Joiner Kit EN
- [↓](#) Water Filter Replacement Instructions - Parts 847200 and 847201 - FR
- [↓](#) Installation Guide Refrigerator Freezer FR
- [↓](#) Installation Guide - Joiner Kit FR
- [↓](#) User Guide Refrigerator Freezer EN
- [↓](#) User Guide Refrigerator Freezer FR

#### Where applicable:

All appliances use energy, and energy usage typically generates carbon emissions. **Fisher & Paykel Appliances' In-use Energy Carbon Emissions Estimate** indicates carbon emissions from a product's in-use energy. This is calculated either annually or per cycle, using the product's market-specific energy label energy consumption data multiplied by the carbon emissions factor for energy in your country or region.