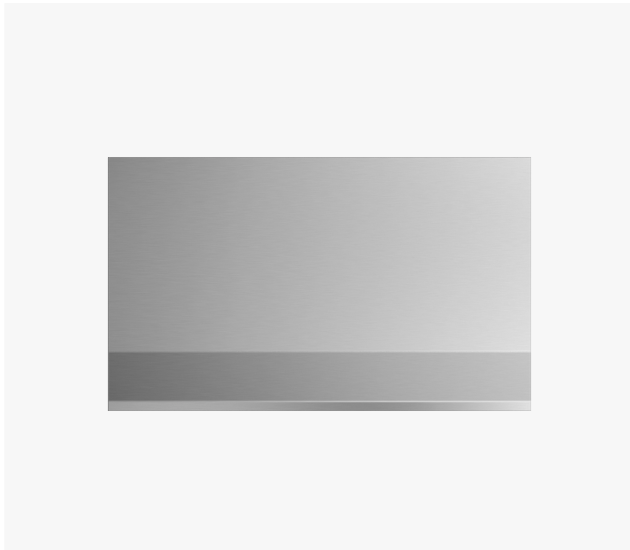


# Wall Range Hood, 30"

Series 9 | Professional

Stainless Steel

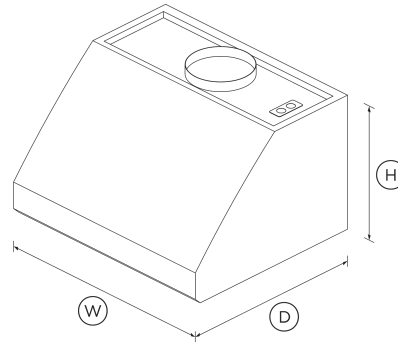


Striking design that pairs well with any appliances in our Professional range. Fast, efficient extraction of steam and odors.

- With four fan speeds, select the perfect extraction rate for your cooking
- Dishwasher-safe filters that are easy to remove and clean
- Powerful 600CFM maximum airflow

## DIMENSIONS

<b>Height</b>	<b>18 "</b>
<b>Width</b>	<b>29 7/8 "</b>
<b>Depth</b>	<b>25 1/16 "</b>



## FEATURES & BENEFITS

### Simple Design

The new stainless steel range hood is tough and hardworking with a style and simplicity to fit seamlessly into your kitchen.

### Edge To Edge Filters

We've improved our filters to capture and extract more cooking steam, odors and grease.

### Precise Control

The Professional Range Hood has been designed to give you better control with sturdy stainless steel dials to set your desired fan speed and light level.

## Effective Extraction

Our Range Hood filters have been improved to capture more cooking steam, odors and grease. They're easy to remove and clean - simply put them in your DishDrawer™ dishwasher.

## SPECIFICATIONS

### Accessories (sold separately)

12" Vertical duct cover	<b>HCC3012</b>
6" Vertical duct cover	<b>HCC3006</b>
Light bulb	<b>104176P</b>

### Installation and cleaning

Air outlet size	<b>8" "</b>
Dishwasher safe filters	<b>2</b>
Ducted	<b>Top extraction</b>
Recirculation	<b>Ducted only</b>

### Performance

Extraction type	<b>Surface</b>
Fan speeds	<b>4</b>
Filter type	<b>Stainless Steel Baffle</b>

### Power Requirements

Lighting power	<b>50 W</b>
Motor power	<b>455 W</b>
Supply voltage	<b>120 V</b>
Total Power	<b>555 W</b>

**Product Dimensions**

Depth	25 1/16 "
Height	18 "
Width	29 7/8 "

**Product information**

Control type	Rotary switch
--------------	---------------

**Ventilation features**

Dimmable lights	•
Light type	Halogen

SKU	50102
-----	-------

The product dimensions and specifications in this page apply to the specific product and model. Under our policy of continuous improvement, these dimensions and specifications may change at any time. You should therefore check with Fisher & Paykel's Customer Care Centre to ensure this page correctly describes the model currently available. © Fisher & Paykel Appliances Ltd 2020

**Other product downloads available at fisherpaykel.com**

- ↓ Archicad Wall RangeHood
- ↓ Archicad Wall RangeHood with 12inch Duct Cover
- ↓ Archicad Wall RangeHood with 6inch Duct Cover
- ↓ Service & Warranty
- ↓ Revit Wall RangeHood
- ↓ Rhino Wall RangeHood

- ↓ Rhino Wall RangeHood with Duct Cover
- ↓ Sketchup Wall RangeHood
- ↓ Sketchup Wall RangeHood with Duct Cover
- ↓ Installation & User Guide EN / Guide d'installation et guide d'utilisation FR

**Where applicable:**

All appliances use energy, and energy usage typically generates carbon emissions. **Fisher & Paykel Appliances' In-use Energy Carbon Emissions Estimate** indicates carbon emissions from a product's in-use energy. This is calculated either annually or per cycle, using the product's market-specific energy label energy consumption data multiplied by the carbon emissions factor for energy in your country or region.

Our In-use Energy Carbon Emissions Estimate is designed to assist customers in making informed purchasing decisions when comparing different Fisher & Paykel products. For example, a heat pump dryer typically has a lower In-use Energy Carbon Emissions Estimate than a vented dryer.

**A PEACE OF MIND SALE**

**24 Hours 7 Days a Week Customer Support**

T 1.888.936.7872 W [www.fisherpaykel.com](http://www.fisherpaykel.com)