

FISHER & PAYKEL

SPECIFICATION GUIDE

COMBINATION STEAM OVEN, 24"



OVERVIEW

Bringing together the best of dry and moist heat, our Combination Steam Oven offers both steam and convection cooking so that you have more flexibility in the kitchen.

MODELS

Combination Steam Oven, 24"

Black with stainless steel
OS24NDB1

Trim Kit, 30"

Black with stainless steel
TK30NDB1

SERIES & STYLE

Series 9
Contemporary Style

MODELS

Combination Steam Oven, 24"

Black
OS24NDBB1

Trim Kit, 30"

Black
TK30NDBB1

SERIES & STYLE

Series 9
Minimal Style

FEATURES

- ① Choice of stainless steel or elegant black trim
- ② Install in multiple configurations to suit your kitchen design
- ③ Optional 30" trim kit allows seamless vertical configuration when paired with a Fisher & Paykel 30" Oven
- ④ Intuitive touch display with capacitive touch controls
- ⑤ Steam cooking allows ingredients to retain their nutrients, moisture content and coloration
- ⑥ Nine cooking modes including Broil and Fan functions. 1500W fan element power, 1500W broil power.
- ⑦ CoolTouch door protecting your hands and the surrounding cabinetry
- ⑧ Easy to clean stainless steel interior
- ⑨ 1.3 cu ft total capacity
- ⑩ Automatic cooking allows you to program in desired cooking mode and duration

ACCESSORIES

- ① Optional 30" trim kit
- ② Baking pan and wire shelf
- ③ Perforated tray and lid
- ④ Food probe

FISHER & PAYKEL

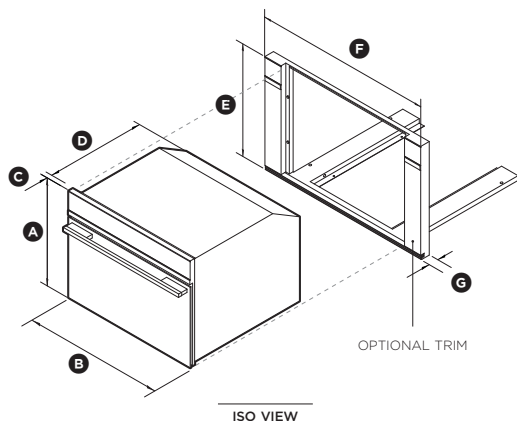
SPECIFICATION GUIDE

COMBINATION STEAM OVEN, 24"

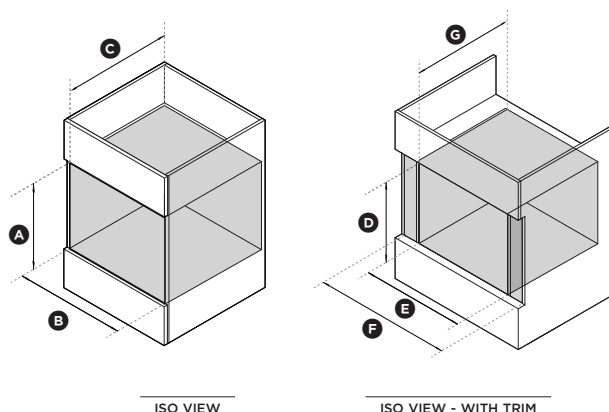
SPECIFICATIONS

Model No.	OS24NDB1 (Optional 30" Trim Kit TK30NDB1) OS24NDBB1 (Optional 30" Trim Kit TK30NDBB1)
Dimensions	H 18 1/16" (458mm) x W 23 1/2" (596mm) x D 22 1/8" (562mm)
Total capacity	1.3 cu ft (36L)
Weight	37kg (82lb)
Electrical	
Supply	120V / 208V - 120V / 240V 60Hz
Service	15 Amp circuit
Receptacle	Hard wired

PRODUCT DIMENSIONS



CAVITY DIMENSIONS: STANDARD INSTALLATION



		in	mm
(A)	Overall height of steam oven	18 1/6	458
(B)	Overall width of steam oven	23 1/2	596
(C)	Depth of steam oven front and control panel	21 1/4	540
(D)	Depth of steam oven chassis	7/8	22
(E)	Height of optional trim	18 13/16	478
(F)	Width of optional trim	29 13/16	757
(G)	Depth of optional trim front	1 5/8	42

		in	mm
(A)	Height of cavity	17 3/4	450
(B)	Minimum inside width of cavity	22 1/16	560
(C)	Minimum inside depth of cavity	22 1/6	560
(D)	Height of cavity with trim	18 1/2	470
(E)	Minimum inside width of cavity with trim	22 1/16	560
(F)	Width needed to include trim within cabinetry	22 1/16	560
(G)	Minimum inside depth of cavity with trim - proud install	22 1/16	560
	Minimum inside depth of cavity with trim - flush install	23 5/8	600

Note: Ventilation required at the rear of the cavity.