

# 36" Series 5 Integrated Insert Range Hood

Series 5 | Integrated

Stainless Steel

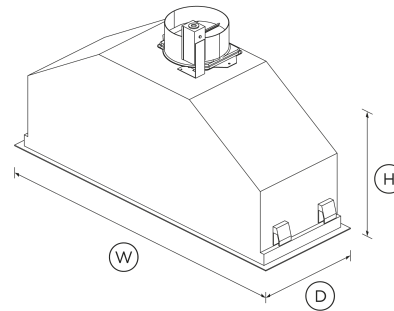


With edge-to-edge extraction, this efficient, stylish range hood is perfectly hidden away in your cabinetry.

- With four fan speeds, select the perfect extraction rate for your cooking
- Perimeter extraction creates a stylish look with efficient removal of steam and odors
- Powerful 600CFM maximum airflow

## DIMENSIONS

|        |            |
|--------|------------|
| Height | 13 3/4 "   |
| Width  | 32 11/16 " |
| Depth  | 11 "       |



## FEATURES & BENEFITS

### Quiet And Effective

This vent hood features four fan speeds providing powerful extraction to quickly remove odours and steam. As odors can linger in the kitchen well after cooking is finished, the timer keeps the vent hood working for up to 15 minutes before automatically turning off.

### Simple Controls

This Fisher & Paykel's vent hood features a sleek and easy to use soft-touch control panel. Lights provide superb illumination over the entire cooking surface.

### Easy Cleaning

The stainless steel finish is easily wiped clean. Multi-layered, dishwasher safe filters trap grease effectively and can easily be removed for cleaning.

### Complementary Design

This vent hood can be built into your cabinetry for a seamless look. Its stainless steel finish is designed to match the rest of Fisher & Paykel's kitchen appliance family.

## SPECIFICATIONS

### Accessories (sold separately)

|            |        |
|------------|--------|
| Light bulb | 791961 |
|------------|--------|

### Fan ratings

|                      |         |
|----------------------|---------|
| Maximum air movement | 600 CFM |
|----------------------|---------|

### Installation and cleaning

|                         |                |
|-------------------------|----------------|
| Air outlet size         | 6 "            |
| Dishwasher safe filters | 3              |
| Ducted                  | Top extraction |

### Performance

|                   |           |
|-------------------|-----------|
| Extraction type   | Perimeter |
| Fan speeds        | 4         |
| Filter type       | Mesh      |
| Number of filters | 3         |

**Power Requirements**

|                  |              |
|------------------|--------------|
| Lighting power   | <b>50 W</b>  |
| Motor power      | <b>530 W</b> |
| Supply frequency | <b>60 Hz</b> |
| Supply voltage   | <b>120 V</b> |
| Total Power      | <b>630 W</b> |

**Product Dimensions**

|        |                   |
|--------|-------------------|
| Depth  | <b>11 "</b>       |
| Height | <b>13 3/4 "</b>   |
| Width  | <b>32 11/16 "</b> |

**Product information**

|              |                          |
|--------------|--------------------------|
| Control type | <b>soft-touch button</b> |
|--------------|--------------------------|

**Ventilation features**

|                |            |
|----------------|------------|
| Light type     | <b>LED</b> |
| Timer function | <b>•</b>   |

|     |       |
|-----|-------|
| SKU | 50087 |
|-----|-------|

The product dimensions and specifications in this page apply to the specific product and model. Under our policy of continuous improvement, these dimensions and specifications may change at any time. You should therefore check with Fisher & Paykel's Customer Care Centre to ensure this page correctly describes the model currently available. © Fisher & Paykel Appliances Ltd 2020

**Other product downloads available at [fisherpaykel.com](http://fisherpaykel.com)**

- [↓](#) 2D-DWG Insert Range Hood
- [↓](#) 2D-DXF Insert Range Hood
- [↓](#) Archicad Insert RangeHood
- [↓](#) Data Sheet Insert Range Hood
- [↓](#) Service & Warranty
- [↓](#) Revit Insert RangeHood
- [↓](#) Rhino Insert RangeHood
- [↓](#) Sketchup Insert RangeHood

**Where applicable:**

All appliances use energy, and energy usage typically generates carbon emissions. **Fisher & Paykel Appliances' In-use Energy Carbon Emissions Estimate** indicates carbon emissions from a product's in-use energy. This is calculated either annually or per cycle, using the product's market-specific energy label energy consumption data multiplied by the carbon emissions factor for energy in your country or region.

Our In-use Energy Carbon Emissions Estimate is designed to assist customers in making informed purchasing decisions when comparing different Fisher & Paykel products. For example, a heat pump dryer typically has a lower In-use Energy Carbon Emissions Estimate than a vented dryer.



**A PEACE OF MIND SALE**  
**24 Hours 7 Days a Week Customer Support**  
 T 1.888.936.7872 W [www.fisherpaykel.com](http://www.fisherpaykel.com)