

# Series 5, Integrated Dishwasher

Series 5 | Integrated

Panel Ready

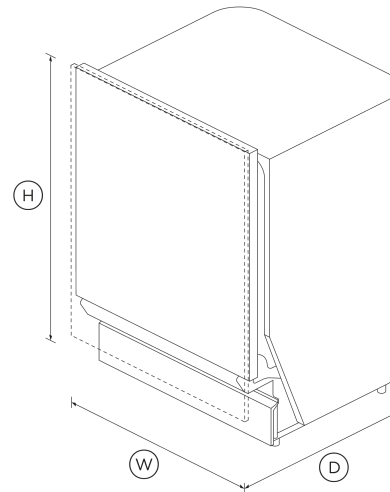


Offering a superior wash performance, this Dishwasher is panel ready and designed to be integrated into your kitchen for a seamless look.

- Customize with your own front panel and handle to match your kitchen cabinetry
- Six wash programs to suit any load, from Delicate to Heavy
- Auto option senses the optimum wash cycle for your dishes

## DIMENSIONS

|               |                           |
|---------------|---------------------------|
| <b>Height</b> | <b>32 5/16 - 36 1/2 "</b> |
| <b>Width</b>  | <b>23 3/4 "</b>           |
| <b>Depth</b>  | <b>22 3/4 "</b>           |



## FEATURES & BENEFITS

### Sized To Suit

Install this fully integrated dishwasher to tall (American size) or short (Euro/ADA size) counter heights, ensuring minimal gaps. Customize with a front panel to match kitchen cabinetry.

### A Quality Wash

This dishwasher offers six wash programs including Auto, which automatically senses the optimal wash cycle for your dishes. A three stage filtration system delivers a superior clean, while the rinse aid indicator reminds you to top up for squeaky-clean dishes.

### Flexible Stacking

Flexible, adjustable storage lets you stack even large items with ease. This model features a removable cutlery tray, height adjustable middle rack, cup holders and wine glass supports.

### Quiet And Reliable

Running at a very low decibel level, this dishwasher does its job without making a fuss. The combination of clever technology and simple mechanics offers greater reliability and superior wash performance.

## SPECIFICATIONS

### Accessories (included)

|           |             |
|-----------|-------------|
| Kickstrip | <b>true</b> |
|-----------|-------------|

### Accessories (sold separately)

|  |                       |
|--|-----------------------|
| Door panel stainless steel                     | <b>AD-DW ADA</b>      |
| Handle kit Classic                             | <b>AHCL-DDD-24X</b>   |
| Handle kit Contemporary round, aluminium       | <b>AHS-OBDD-60S</b>   |
| Handle kit Contemporary square fine, aluminium | <b>AHD5-OBDD-60SX</b> |
| Handle kit Contemporary square fine, black     | <b>AHD5-OBDD-60SB</b> |
| Handle kit Contemporary square, aluminium      | <b>AHD3-OBDD-60S</b>  |
| Handle kit Professional round flush            | <b>AHP3-DWDD-SX</b>   |

### Capacity and loading

|                                 |                |
|---------------------------------|----------------|
| Accommodates round plates up to | <b>10 1/4"</b> |
| Fold down tines                 | •              |
| Height adjustable top basket    | •              |
| Place settings                  | <b>12</b>      |

|                     |    |
|---------------------|----|
| Place settings      | 12 |
| Wine glass supports | •  |

|                |            |
|----------------|------------|
| Supply voltage | 220 - 240V |
|----------------|------------|

|     |       |
|-----|-------|
| SKU | 81871 |
|-----|-------|

### Consumption

|   |                              |
|---|------------------------------|
| Energy usage                            | 232kWh/year                  |
| In-use energy carbon emissions estimate | 85.0kgCO <sub>2</sub> e/year |
| Water usage (per wash cycle)            | 3.4 gal                      |

### Product Dimensions

|        |                    |
|--------|--------------------|
| Depth  | 22 3/4 "           |
| Height | 32 5/16 - 36 1/2 " |
| Width  | 23 3/4 "           |

The product dimensions and specifications in this page apply to the specific product and model. Under our policy of continuous improvement, these dimensions and specifications may change at any time. You should therefore check with Fisher & Paykel's Customer Care Centre to ensure this page correctly describes the model currently available. © Fisher & Paykel Appliances Ltd 2020

### Controls

|  |   |
|--|---|
| End of cycle beeps                                 | • |
| Energy saving delay start option of up to 12 hours | • |
| Keylock  | • |
| Rinse aid indicator light                          | • |

### Safety and compliance

|               |   |
|---------------|---|
| ADA compliant | • |
|---------------|---|

### Warranty

|                 |         |
|-----------------|---------|
| Parts and labor | 2 years |
|-----------------|---------|

### Other product downloads available at fisherpaykel.com

- [↓](#) Energy Label Integrated Dishwasher
- [↓](#) Service & Warranty
- [↓](#) Installation Guide EN
- [↓](#) Guide d'installation FR
- [↓](#) Quick Start Guide
- [↓](#) User Guide EN

### Features

|                                   |   |
|-----------------------------------|---|
| Quiet operation                   | • |
| ThermoDry system                  | • |
| Three-stage filtration system     | • |
| Variable wash pressure technology | • |

### Wash Programs

|               |   |
|---------------|---|
| Auto          | • |
| Eco           | • |
| Fast          | • |
| Heavy         | • |
| Medium        | • |
| Rinse         | • |
| Wash programs | 6 |

### Where applicable:

All appliances use energy, and energy usage typically generates carbon emissions. **Fisher & Paykel Appliances' In-use Energy Carbon Emissions Estimate** indicates carbon emissions from a product's in-use energy. This is calculated either annually or per cycle, using the product's market-specific energy label energy consumption data multiplied by the carbon emissions factor for energy in your country or region.

Our In-use Energy Carbon Emissions Estimate is designed to assist customers in making informed purchasing decisions when comparing different Fisher & Paykel products. For example, a heat pump dryer typically has a lower In-use Energy Carbon Emissions Estimate than a vented dryer.

### Performance

|                 |        |
|-----------------|--------|
| Noise emissions | 48 dBA |
|-----------------|--------|

### Water connection

|                |                  |
|----------------|------------------|
| Water pressure | 100kPa - 1000kPa |
|----------------|------------------|

### Power Requirements

|                  |      |
|------------------|------|
| Amperage         | 10A  |
| Supply frequency | 50Hz |



**A PEACE OF MIND SALE**

24 Hours 7 Days a Week Customer Support

T 1.888.936.7872 W [www.fisherpaykel.com](http://www.fisherpaykel.com)