

# 30" Series 9 Professional 4 Burner Dual Fuel Range, Natural Gas

Series 9 | Professional

Stainless Steel | Natural Gas

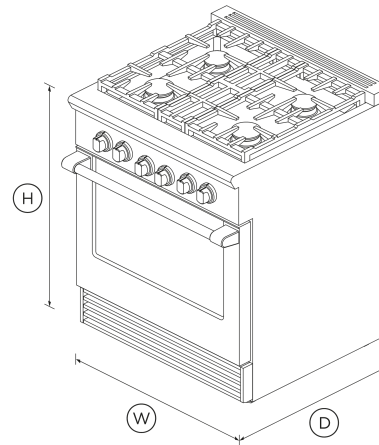


Make a statement in your kitchen with this Professional style range for powerful gas and convection cooking.

- Top burner heat of 22,500 BTU, for seriously fast boiling
- Convection oven with 4 cu ft total capacity
- Non-tip full-extension shelves for safe removal of hot dishes

## DIMENSIONS

Height	35 3/4 - 36 3/4 "
Width	29 7/8 "
Depth	29 1/8 "



## FEATURES & BENEFITS

### Cooktop Power

Sealed Dual Flow Burners™ deliver cooktop power up to 22,500 BTU (NG models) for seriously fast boiling right down to a precise 140°F full surface simmer with the gentlest of flames.

### Total Control

Precise control across high and low settings is delivered through the halo-illuminated cooktop dials. The ovens have true convection and electronic oven control for precise and consistent temperatures.

### Consistent Broiling

The Dual Fuel Range broiler provides an even heat that covers a very large surface area — perfect for browning a fully loaded oven tray.

### Easy To Clean

The Dual Fuel Range oven has a self-cleaning function and removable side racks. The cooktop has sealed burners and an encapsulated cooking surface with a commercial-style stainless steel finish.

### Instant Visibility

Control dials have halo-illumination glowing white - heating up; orange - temperature reached; red - self-cleaning mode. The oven is illuminated by two powerful incandescent lights.

### Cooking Flexibility

The cooktop is designed for easy access to any burner, with grates you can smoothly slide pots across, while the oven cavity is large enough to allow you to cook multiple dishes at once.

## SPECIFICATIONS

### Accessories (sold separately)

Square handle option	AH-R30
Wok grate included	Yes

### Burner ratings

Maximum burner power	22500 BTU
Power back left	18500BTU
Power back right	18500BTU
Power front left	22500BTU
Power front right	18500BTU

Total cooktop power **78000 BTU**

**Capacity**

Shelf positions (main oven) **5**

Total capacity (main oven) **4 L**

**Cleaning**

Pyrolytic self-clean **•**

**Controls**

Electric circuit **4 wire**

Metal illuminated dials **•**

**Gas Requirements**

Fitting and pipe **½ NPT, min. ⅝" flex line**

Supply Pressure (natural gas) **6" to 9" W.C**

**Oven features**

Auto re-ignition system **•**

Broil pan **•**

Concealed element **•**

Electronic oven control **•**

Internal light **true**

True convection **•**

**Oven functions**

Bake **•**

Broil **•**

Clean **•**

Convection bake **•**

Convection Broil **•**

Number of functions **6**

True convection **•**

**Oven performance**

Bake power **3500**

Main oven - True convection power **2500 W**

**Power Requirements**

Rated current **30 A**

Supply frequency **60 Hz**

**Product Dimensions**

Depth **29 1/8 "**

Depth (excluding handles) **2918 mm**

Height **35 3/4 - 36 3/4 "**

Width **29 7/8 "**

**Rangetop features**

Sealed range top **•**

Vent trim included **•**

**Safety**

Full extension telescopic sliding shelves **•**

SKU **71372**

The product dimensions and specifications in this page apply to the specific product and model. Under our policy of continuous improvement, these dimensions and specifications may change at any time. You should therefore check with Fisher & Paykel's Customer Care Centre to ensure this page correctly describes the model currently available. © Fisher & Paykel Appliances Ltd 2020

**Other product downloads available at fisherpaykel.com**

- [↓](#) 2D-DWG Dual Fuel Range
- [↓](#) 2D-DWG Dual Fuel Range
- [↓](#) 2D-DXF Dual Fuel Range
- [↓](#) 2D-DXF Dual Fuel Range
- [↓](#) Archicad23 Dual Fuel Range
- [↓](#) Datasheet Dual Fuel Range
- [↓](#) Revit-18 Dual Fuel Range
- [↓](#) Sketchup-8 Dual Fuel Range
- [↓](#) 2D-DWG Dual Fuel Range
- [↓](#) 2D-DXF Dual Fuel Range
- [↓](#) Archicad Dual Fuel Range
- [↓](#) Data Sheet Dual Fuel Range
- [↓](#) Service & Warranty
- [↓](#) Installation Guide EN / Guide d'installation FR
- [↓](#) Planning Guide Dual Fuel Range
- [↓](#) Revit Dual Fuel Range
- [↓](#) Sketchup Dual Fuel Range
- [↓](#) User Guide EN

**Where applicable:**

All appliances use energy, and energy usage typically generates carbon emissions. **Fisher & Paykel Appliances' In-use Energy Carbon Emissions Estimate** indicates carbon emissions from a product's in-use energy. This is calculated either annually or per cycle, using the product's market-specific energy label energy consumption data multiplied by the carbon emissions factor for energy in your country or region.

Our In-use Energy Carbon Emissions Estimate is designed to assist customers in making informed purchasing decisions when comparing different Fisher & Paykel products. For example, a heat pump dryer typically has a lower In-use Energy Carbon Emissions Estimate than a vented dryer.



**A PEACE OF MIND SALE**  
24 Hours 7 Days a Week Customer Support  
T 1.888.936.7872 W [www.fisherpaykel.com](http://www.fisherpaykel.com)