

FISHER & PAYKEL

ALTERNATIVE INSTALLATION ActiveSmart Refrigerator, 32" / 36"

Model no:
RS32A72J1, RS36A72J1-N
(refer page 2 for metric measurements)

Custom Panel Dimensions	in
Ⓐ Height of bottom drawer panel (level with top of plinth)	27 1/2"
Ⓑ Minimum height of toekick panel*	2"
Ⓒ Minimum depth from back of door panel to front of plinth	1 1/4"

* The bottom drawer panel can be extended lower to cover the grille. However in this installation scenario the product needs to be raised a minimum of 2" from the floor to allow for adequate air supply.

Note: this alternative installation will cause some restriction of air supply so the fridge will not be operating at it's optimum energy performance levels.

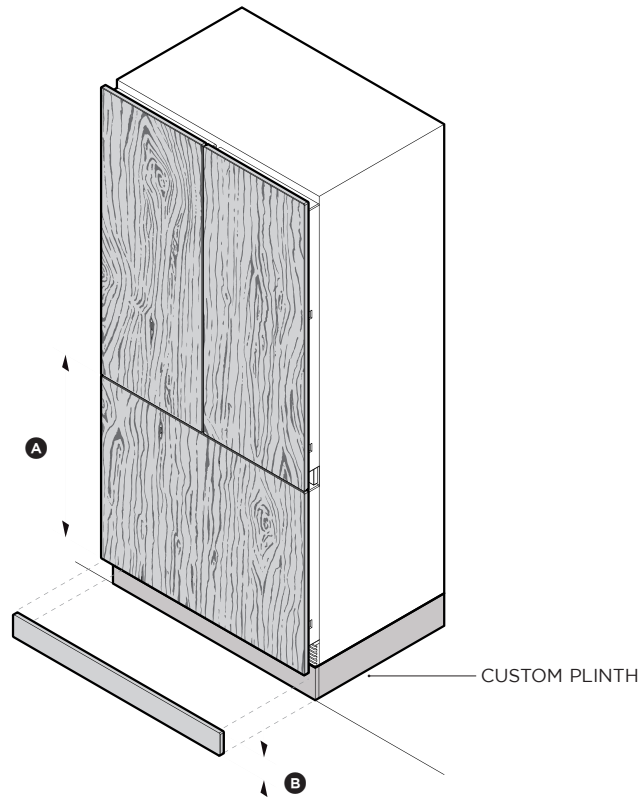
Additional Part (Air Splitter) Dimensions	in
Ⓓ Overall height of block	3 1/8"
Ⓔ Overall width of block	4 3/4"
Ⓕ Overall depth of block	1"
Ⓖ Height from bottom of door panel to bottom of block*	3/16"
Ⓗ Distance from left edge of panel to centre of block**	14 3/16"

* Presumes door panel height of 27 1/2"

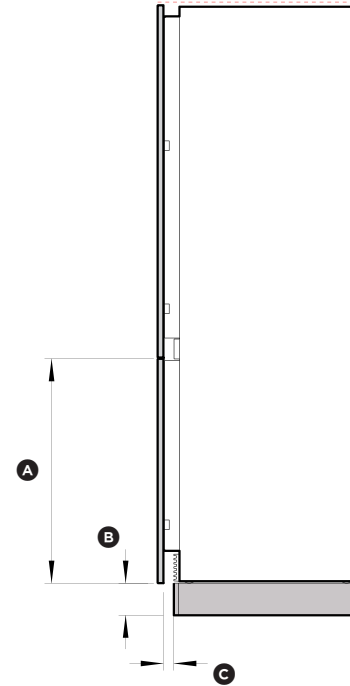
** Note measurement given from left when panel viewed from rear

Block to be manufactured and fitted by cabinetmaker, it can be constructed out of MDF or similar material

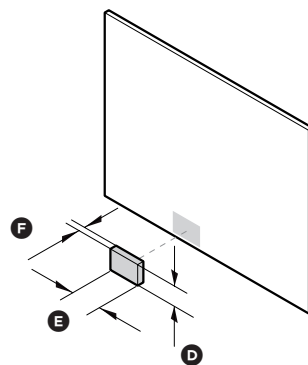
Bottom door panel and block need to be adequately sealed to withstand moisture (122°F @ 80% RH). The back and sides of the panel should be completely sealed with a waterproof vapour barrier (e.g. polyurethane) to prevent damage to the panel



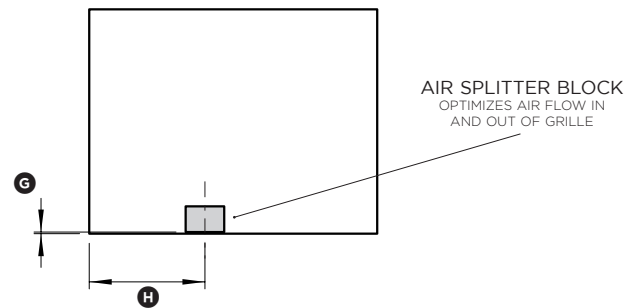
ISO VIEW



PROFILE VIEW



REAR VIEW OF BOTTOM PANEL



INDICATES CAVITY CLEARANCES -----

DATE: 15.01.2021

IMPORTANT: Throughout this guide, dimensions may vary by +/-2mm (1/16"). Read the installation guide for detailed information on installing the product. For full installation instructions and specifications visit fisherpaykel.com

FISHER & PAYKEL

ALTERNATIVE INSTALLATION ActiveSmart Refrigerator, 32" / 36"

Model no:
RS32A72J1, RS36A72J1-N
(refer page 1 for imperial measurements)

Custom Panel Dimensions	mm
Ⓐ Height of bottom drawer panel (level with top of plinth)	698
Ⓑ Minimum height of toe-kick panel*	50
Ⓒ Minimum depth from back of door panel to front of plinth	32

* The bottom drawer panel can be extended lower to cover the grille. However in this installation scenario the product needs to be raised a minimum of 50mm from the floor to allow for adequate air supply.

Note: this alternative installation will cause some restriction of air supply so the fridge will not be operating at its optimum energy performance levels.

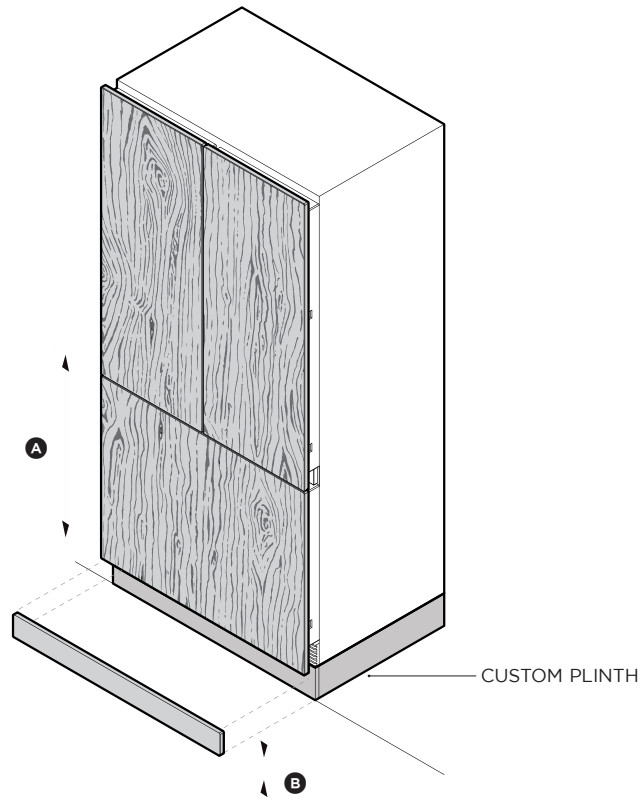
Additional Part (Air Splitter) Dimensions	mm
Ⓓ Overall height of block	80
Ⓔ Overall width of block	120
Ⓕ Overall depth of block	25
Ⓖ Height from bottom of door panel to bottom of block*	5
Ⓗ Distance from left edge of panel to centre of block**	360

* Presumes door panel height of 698mm

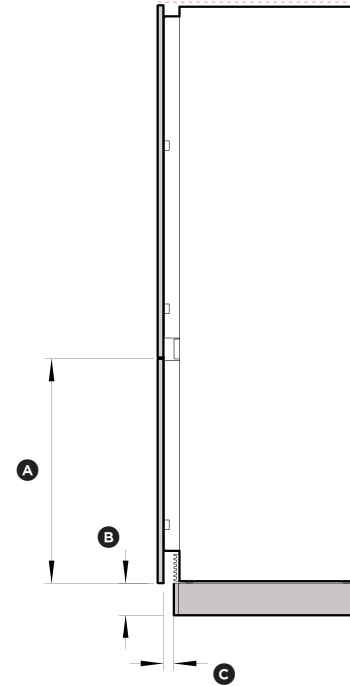
** Note measurement given from left when panel viewed from rear

Block to be manufactured and fitted by cabinetmaker, it can be constructed out of MDF or similar material

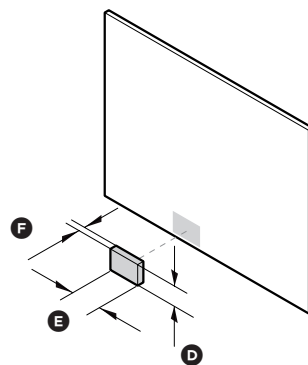
Bottom door panel and block need to be adequately sealed to withstand moisture (50°C @ 80% RH). The back and sides of the panel should be completely sealed with a waterproof vapour barrier (e.g. polyurethane) to prevent damage to the panel



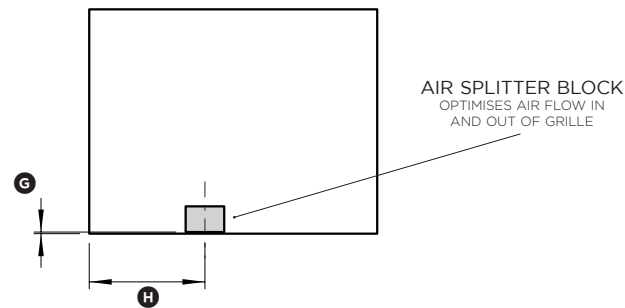
ISO VIEW



PROFILE VIEW



REAR VIEW OF BOTTOM PANEL



INDICATES CAVITY CLEARANCES -----

DATE: 15.01.2021

IMPORTANT: Throughout this guide, dimensions may vary by +/-2mm (1/16"). Read the installation guide for detailed information on installing the product. For full installation instructions and specifications visit fisherpaykel.com