

FISHER & PAYKEL

SPECIFICATION GUIDE

INDUCTION RANGE, 36"



OVERVIEW

Enhance your kitchen design with the Induction Range, 36". This range offers an intuitive, high-resolution touch display, five-zone instant response induction rangetop, an electronic oven with generous capacity and comprehensive cooking functions to deliver perfect results.

MODELS

Induction Range, 36", 5 Zones
RIV3-365

SERIES & STYLE

Series 9
Professional

FEATURES

- ① Stainless steel
- ② High-resolution, user-friendly touch display
- ③ Metal illuminated dials
- ④ Electronic oven control
- ⑤ Perfect results from 15 oven functions
- ⑥ Guided cooking by food type and recipes
- ⑦ 4.8 cu ft-capacity oven
- ⑧ Self-cleaning oven with pyrolytic ladders
- ⑨ Precise temperature control with 9 induction heat settings
- ⑩ Instant response induction cooking with PowerBoost

ACCESSORIES

- ① Food probe
- ② Broil pan
- ③ Broil rack
- ④ Full-extension telescopic racks

FISHER & PAYKEL

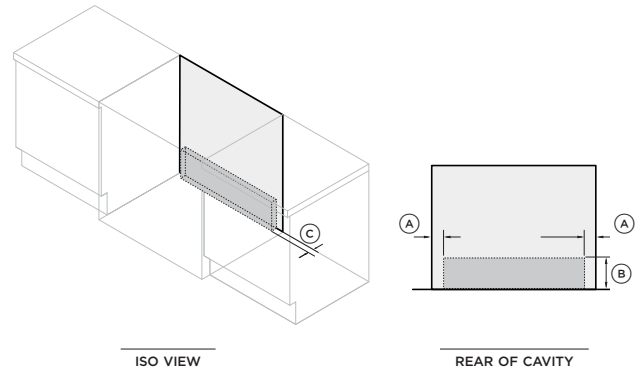
SPECIFICATION GUIDE

INDUCTION RANGE, 36"

SPECIFICATIONS

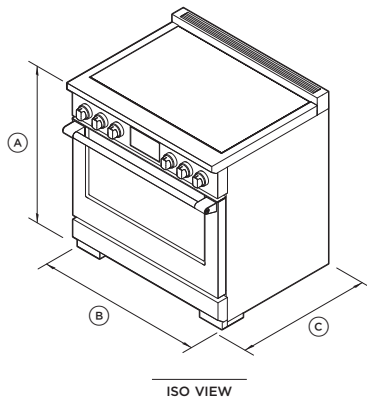
| | |
|----------------------------|---|
| Model No. | RIV3-365 |
| Dimensions | H 35 3/4" - 36 3/4" (908-933mm) x W 35 7/8" (911mm) x D 29 1/8" (740mm) |
| Product weight | 440lb (200Kg) |
| Total oven capacity | 4.8 cu ft (136L) |
| Door Clearance | 19 1/8" (486mm) |
| Electrical | |
| Supply | 120/240VAC, 60Hz |
| Service | 50-amp circuit |
| Receptacle | 4-prong grounding type (NEMA 14-50 plug) |
| Max. current draw | 72A |

SUPPLY AREA DIMENSIONS



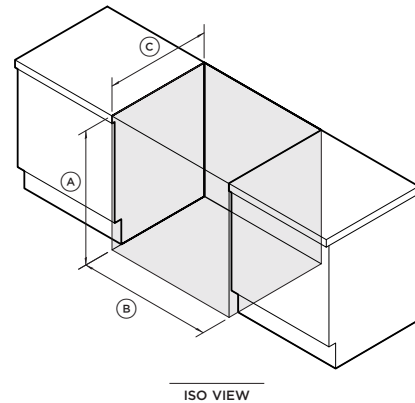
| | in | mm |
|---|-------|-----|
| (A) Distance from either edge of range to supply area | 1 1/2 | 38 |
| (B) Height of gas and electrical supply areas (from floor) | 6 | 152 |
| (C) Depth of supply areas (ie maximum protrusion of gas connection from wall) | 2 | 51 |

PRODUCT DIMENSIONS



| | in | mm |
|---|--------------------------|--------------------|
| (A) Overall height (from floor to cooktop, excl. vent trim) | min 35 3/4 max 36 3/4 | min 908 max 933 |
| (B) Overall width | 35 7/8 | 911 |
| (C) Depth from front of range to rear (incl. vent trim, excl. dials and handle) | 29 1/8 | 740 |

CAVITY DIMENSIONS: STANDARD INSTALLATION



| | in | mm |
|---|--------------------|------------|
| (A) Overall height of cavity* <ul style="list-style-type: none"> • for level counter • with range levelling legs fully extended | 35 3/4 36 3/4 | 908 933 |
| (B) Overall width of cavity | 36 | 914 |
| (C) Maximum depth of cavity <ul style="list-style-type: none"> • projecting control panel • flush control panel | 25 3/8 27 11/16 | 644 703 |

*Depending on height of range.