

# FISHER & PAYKEL

## DATA SHEET

Freestanding Dishwasher, 60cm

**Model nos:**  
DW60FC4B2  
DW60FC2B2  
DW60FC1B2

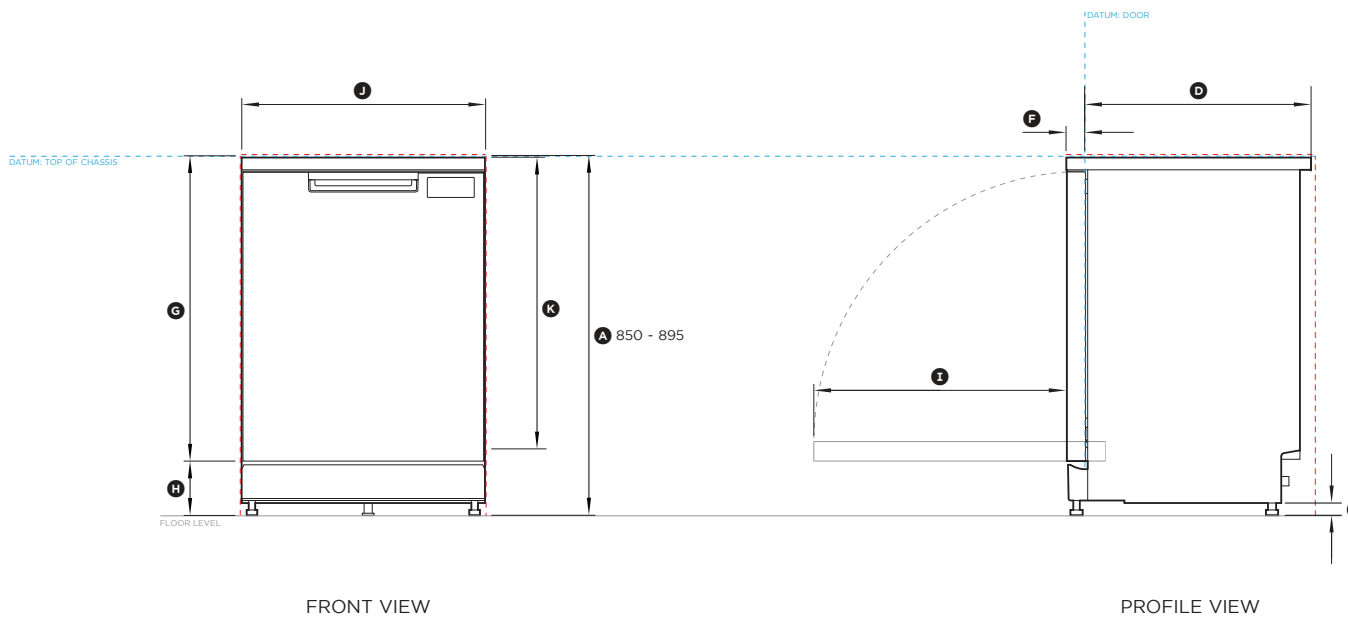
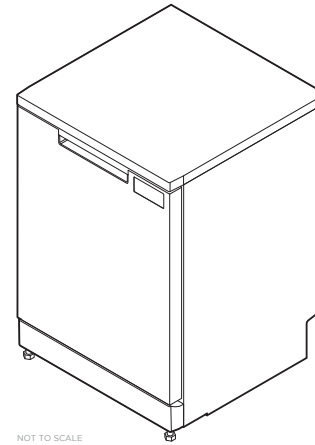
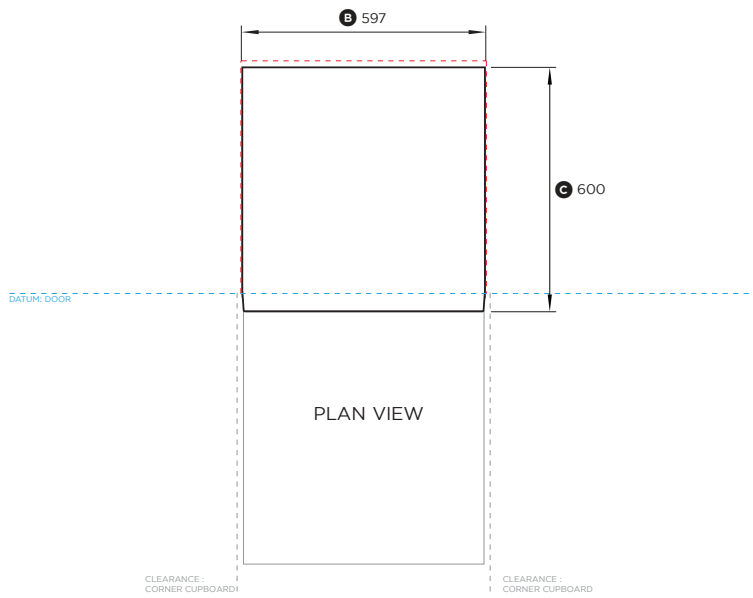
Product Dimensions	mm
(A) Overall height of product* (incl. top panel)	850 - 895
(B) Overall width of product	597
(C) Overall depth of product (incl. top panel)	600
(D) Depth chassis	558
(E) Height of feet*	0 - 45
(F) Door panel depth	46
(G) Height from top of chassis to bottom of door panel	745
(H) Height from to bottom of door to floor*	103
(I) Depth of door opening	620
(J) Door panel width	590
(K) Door panel height	711

\*Depending on adjustment of levelling feet

Minimum Clearances	mm
Minimum inside height of cavity* with top panel in place with top panel removed**	850 - 895
Minimum inside width of cavity	600
Minimum overall depth of cavity	605

\*Depending on adjustment of levelling feet  
\*\*The top panel may be removed to suit underbench cavity height

See Installation Guide for installation instructions



INDICATES PRODUCT DATUM -----  
INDICATES CABINERY CLEARANCES - - - - -

DATE: 19.04.2024

90003411A

IMPORTANT NOTE: Throughout this guide, dimensions may vary by  $\pm 2$ mm (1/16"). Please read the installation guide for detailed information on installing the product. For full installation instructions & specifications visit [fisherpaykel.com](http://fisherpaykel.com)