

**INTEGRATED TALL SINGLE DISHDRAWER™  
DISHWASHER**

---

# PLANNING GUIDE

---

DD60STHI9 | DD60STX6HI1

This comprehensive planning guide provides you with the framework and tools to achieve your desired design outcome with Fisher & Paykel appliances. In this guide, you will find a range of conceptual, detailed, and dimensional product information to bring your ideas to life and create spaces that truly reflect your vision.

**CONTENTS**

<b>CONCEPT DESIGN</b>	<b>PAGE</b>	<b>DEVELOPED AND DETAILED DESIGN</b>	<b>PAGE</b>	<b>DEVELOPED AND DETAILED DESIGN</b>	<b>PAGE</b>
<b>Design Decisions</b>	<b>4</b>	<b>Data Sheets</b>		<b>Data Sheets Handles</b>	<b>8</b>
		<b>DD60STHI9 CN, DD60STX6HI1 CN</b>	<b>5</b>	Contemporary Square Fine Handle	<b>9</b>
		Stainless Steel Door Panel	<b>6</b>		
		Custom Door Panel	<b>7</b>		

The models shown in this Planning Guide may not be available in all markets and are subject to change at any time. Product specifications may vary from those shown. This Planning Guide should not be used as installation guidance for any product. Further information is required to safely and correctly install the products featured here. Specific installation guidance will be available with the product on delivery and on our website [fisherpaykel.com](http://fisherpaykel.com)

## DESIGN DECISIONS

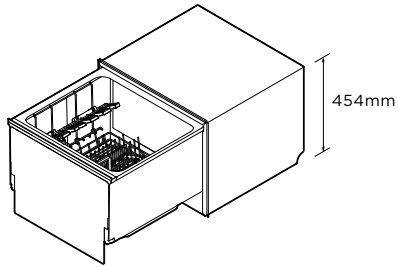
**PRODUCT**



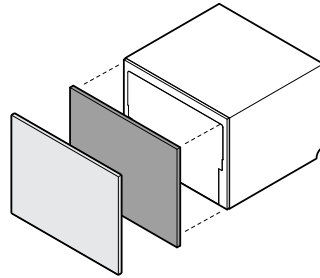
**DOOR PANEL STYLE**



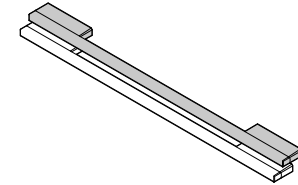
**HANDLE OPTION**



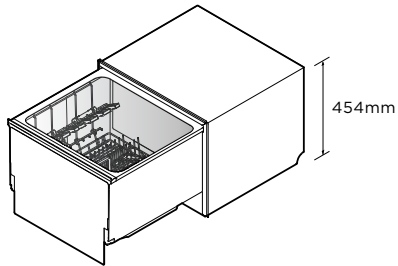
Series 9, Integrated Tall Single DishDrawer™ Dishwasher



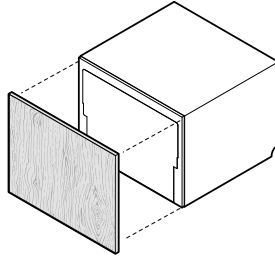
Brushed Stainless Steel & Black Stainless Steel Door Panel



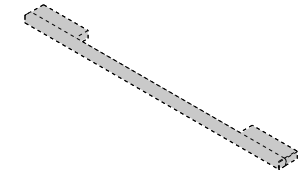
Contemporary Square Fine Handle



Series 11, Integrated Tall Single DishDrawer™ Dishwasher with stainless steel interior



Custom Door Panel



Custom Handle

**PRODUCT MODELS**

Series 9, Integrated Tall Single DishDrawer™ Dishwasher	DD60SHTI9 CN
Series 11, Integrated Tall Single DishDrawer™ Dishwasher with stainless steel interior	DD60STX6HI1 CN

**DOOR PANEL MODELS**

Brushed Stainless Steel Door Panels	ADDD60STPX
Black Stainless Steel Door Panels	ADDD60STPB

Note: Custom door panel and handle to be manufactured / fitted by cabinetmaker.

**HANDLE MODELS\***

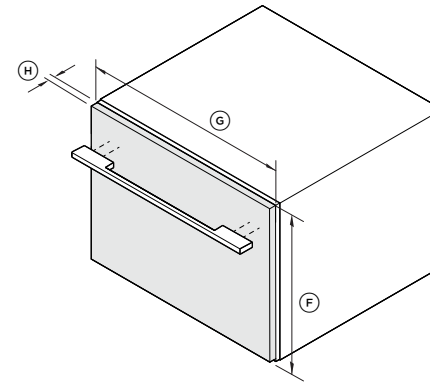
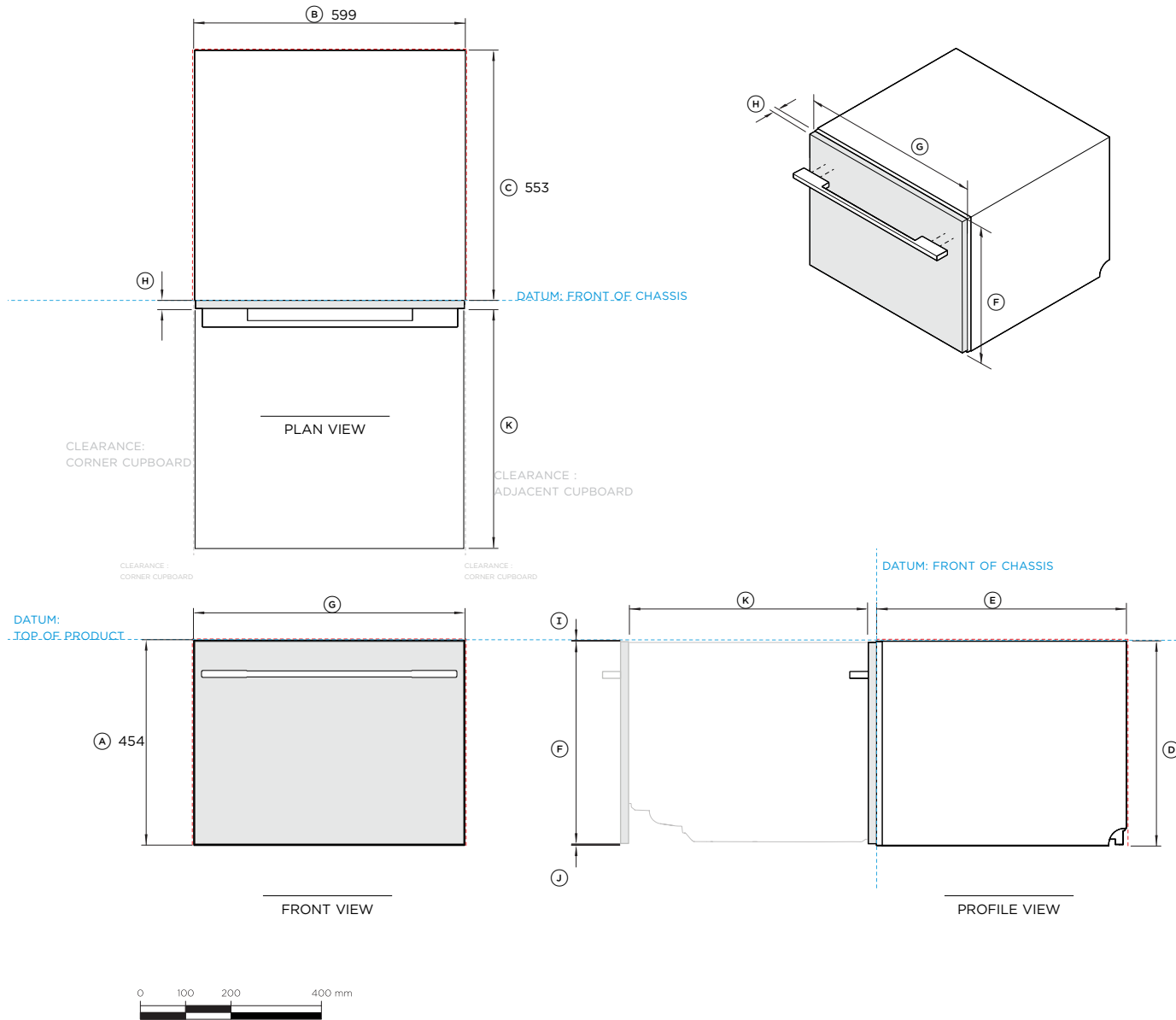
	Brushed Aluminium	Brushed Black Aluminium
Contemporary Square Fine Handle*	AHD5DDDW60S	AHD5DDDW60B

\*One Handle kit required for Single DishDrawer™ Dishwashers. Two kits required for Double DishDrawer™ Dishwashers.

Handles can be applied to Integrated Single DishDrawer™ Dishwasher models with Custom Door Panels or Stainless Steel Door Panels

The models shown in this Planning Guide may not be available in all markets and are subject to change at any time. Product specifications may vary from those shown. This Planning Guide should not be used as installation guidance for any product. Further information is required to safely and correctly install the products featured here. Specific installation guidance will be available with the product on delivery and on our website fisherpaykel.com

**DATA SHEETS**  
**DD60STHI9 CN | DD60STX6HI1 CN**



**Model no:**

- DD60DH19 CN** Series 9, Integrated Tall Single DishDrawer™ Dishwasher
- DD60STX6H11 CN** Series 11, Integrated Tall Single DishDrawer™ Dishwasher

**Shown with:**

- ADDD60STPX Stainless Steel Door Panel Tall\*
- ADDD60STPB Black Stainless Steel Door Panel Tall\*
- AHD5DDDW60S Contemporary Square Fine Handle, 60cm\*
- AHD5DDDW60B Contemporary Square Fine Black Handle, 60cm\*

\*Panel and handle dimensions identical between colour variants.  
 NOTE: Refer to Purchase Decision page for all door panel and handle options

Product Dimensions	mm
(A) Overall height of product*	454
(B) Overall width of product	599
(C) Overall depth of product (without handle and door panel)	553
(D) Height of chassis	454
(E) Depth of chassis	553
(F) Height of door panel	447
(G) Width of door panel	595
(H) Depth of door panel	18
(I) Height from top of door panel to top of chassis	2
(J) Height of ventilation gap below door panel	2
(K) Maximum extension of drawer	527

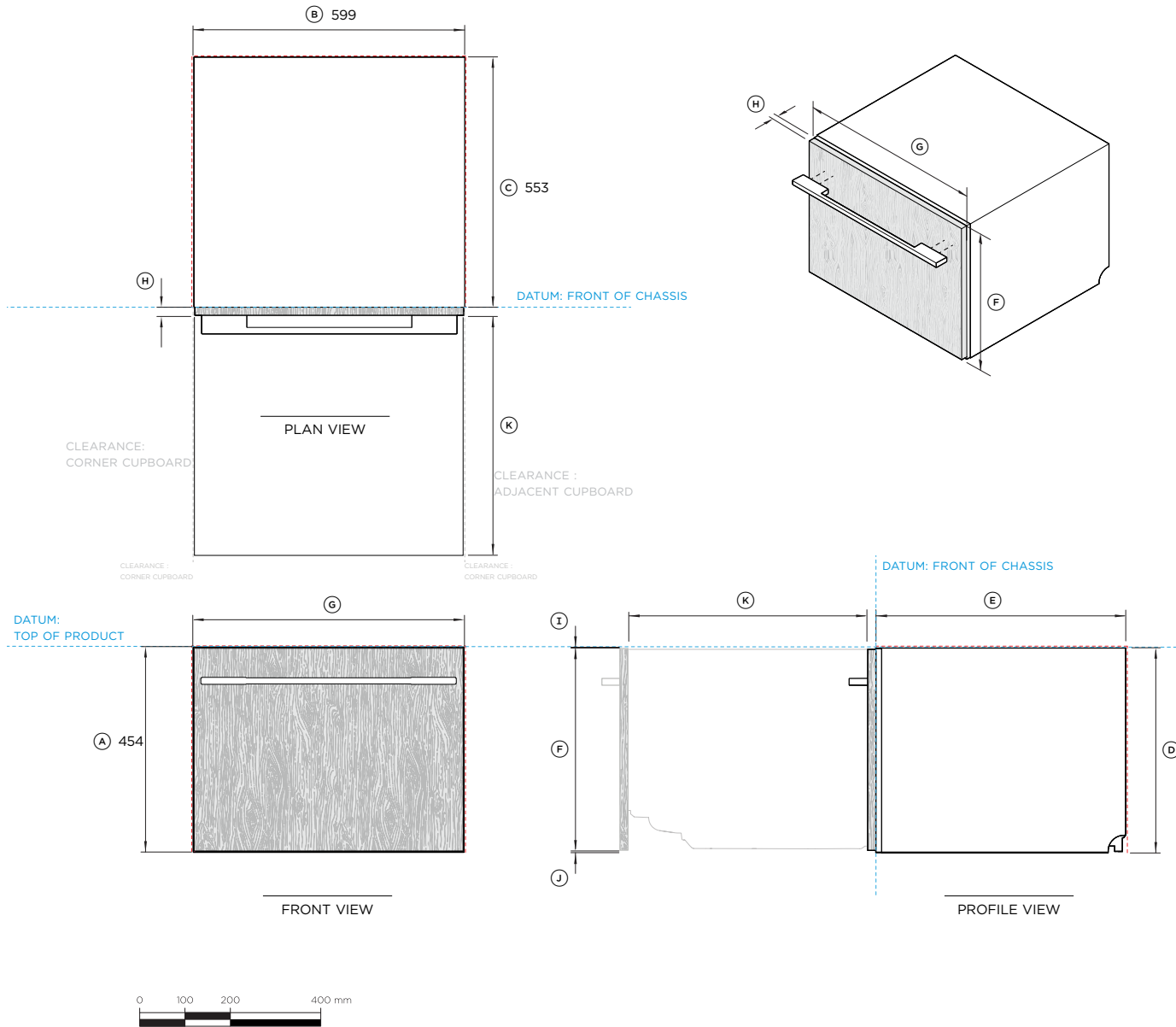
Minimum Clearances	mm
Minimum inside height of cavity*	456
Minimum inside width of cavity	600
Minimum overall depth of cavity**	579
Minimum clearance to corner cupboard	13
Minimum clearance to adjacent cupboard door	2

\*\*Including 19mm door panels on adjacent cabinetry

NOTE: For venting consideration for the toe kick design, please refer to the installation guide

INDICATES CABINERY / PRODUCT DATUM -----  
 INDICATES CABINERY CLEARANCES - - - - -  
 INDICATES CUTOUT - - - - -

IMPORTANT NOTE: Throughout this guide, dimensions may vary by ±2mm (1/16"). Please read the installation manual for detailed information on installing the product. For full installation instructions & specifications visit fisherpaykel.com



**Model no:**

- DD60DHI9 CN** Series 9, Integrated Tall Single DishDrawer™ Dishwasher
- DD60STX6HI1 CN** Series 11, Integrated Tall Single DishDrawer™ Dishwasher

**Shown with:**

- Custom Door Panel\*
- AHD5DDDW60S Contemporary Square Fine Handle, 60cm\*\*
- AHD5DDDW60B Contemporary Square Fine Black Handle, 60cm\*\*

\* Not supplied. Custom door panels to be manufactured / fitted by cabinetmaker.  
 \*\* Handle dimensions identical between colour variants.

NOTE: Refer to Purchase Decision page for all door panel and handle options

**Product Dimensions**

	<b>mm</b>
(A) Overall height of product*	454
(B) Overall width of product	599
(C) Overall depth of product (without handle and door panel)	553
(D) Height of chassis	454
(E) Depth of chassis	553
(F) Minimum height of custom door panel	452
(G) Width of custom door panel	595
(H) Depth of custom door panel	16-20
(I) Height from top of custom door panel to top of chassis	2
(J) Height of ventilation gap below door panel	2
(K) Maximum extension of drawer	527

**Minimum Clearances**

	<b>mm</b>
Minimum inside height of cavity	456
Minimum inside width of cavity	600
Minimum overall depth of cavity**	579
Minimum clearance to corner cupboard	13
Minimum clearance to adjacent cupboard door	2

\*\*Including 19mm door panels on adjacent cabinetry

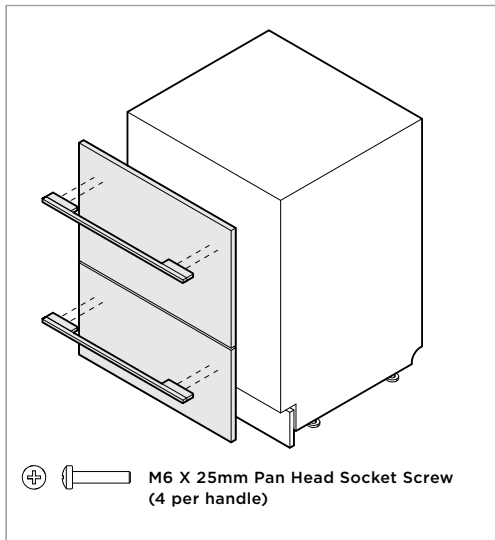
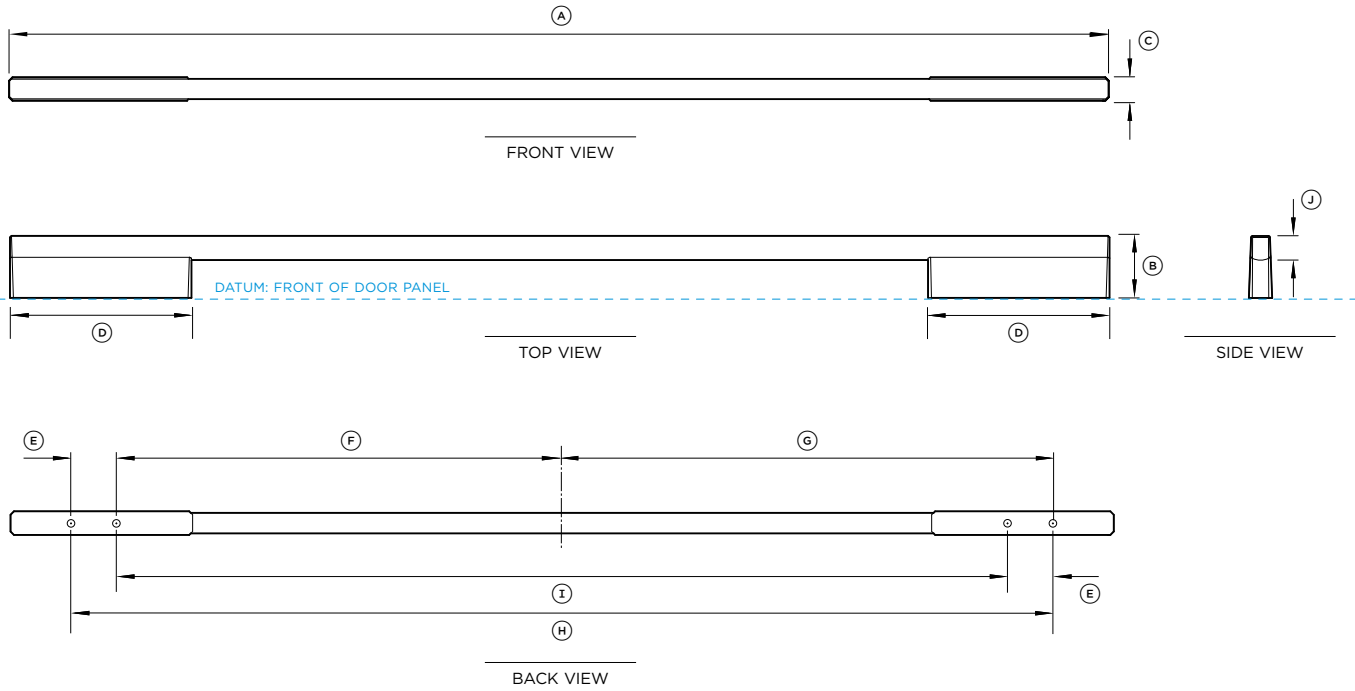
NOTE: For venting consideration for the toe kick design, please refer to the installation guide

INDICATES CABINERY / PRODUCT DATUM -----  
 INDICATES CABINERY CLEARANCES - - - - -  
 INDICATES CUTOUT - - - - -

IMPORTANT NOTE: Throughout this guide, dimensions may vary by ±2mm (1/16"). Please read the installation manual for detailed information on installing the product. For full installation instructions & specifications visit [fisherpaykel.com](http://fisherpaykel.com)

## HANDLE KITS





**Model no:**

- AHD5DDW60S** Contemporary Square Fine Handle, 60cm
  - AHD5DDW60B** Contemporary Square Fine Black Handle, 60cm
- Note: Double DishDrawer™ Dishwasher requires two handle kits (Single DishDrawer™ Dishwasher requires one handle kit).

**For models:**

- DD60DH19** Integrated Double DishDrawer™ Dishwasher
- DD60DTX6HI1** Integrated Tall Double DishDrawer™ Dishwasher

**Compatible with door panel kits:**

- ADD60DPX** Stainless steel door panel for Double DishDrawer™ Dishwasher
- ADD60DTPX** Stainless steel door panel for Double DishDrawer™ Dishwasher, Tall
- ADD60DPB** Black stainless steel door panel for Double DishDrawer™ Dishwasher
- ADD60DTPB** Black stainless steel door panel for Double DishDrawer™ Dishwasher, Tall

**Handle Dimensions**

	mm
(A) Overall length of handle	565
(B) Overall depth of handle	41
(C) Overall height of handle	15
(D) Length of off-stand	100
(E) Distance between attachment holes between each off-stand	32
(F) Distance from centerline to inner attachment holes	216
(G) Distance from centerline to outer attachment holes	248.5
(H) Distance between inner attachment holes	432
(I) Distance between outer attachment holes	497
(J) Thickness of handle rail	16

\*Double DishDrawer™ Dishwasher - the dimensions are the same for both handles.  
 \*Suits standard 19mm panel. Thicker panels may require counterboring or longer screws.

INDICATES CABINETRY / PRODUCT DATUM -----  
 INDICATES CABINETRY CLEARANCES -----  
 INDICATES CUTOUT -----

**IMPORTANT NOTE:** Throughout this guide, dimensions may vary by ±2mm (1/16"). Please read the installation manual for detailed information on installing the product. For full installation instructions & specifications visit [fisherpaykel.com](http://fisherpaykel.com)

**FISHER & PAYKEL**