

FISHER & PAYKEL

PRELIMINARY SPECIFICATION GUIDE

STEAM OVEN, 24"



OVERVIEW

Experience the precise control, repeatability and certainty of steam with our flagship Combination Steam Oven. Harnessing all the advantages of AeroTech™ technology, the oven features 23 functions, including steam-only, convection-only, or a combination of both. A Wireless Temperature Sensor* precisely monitors food in real time, while the intuitive interface and dial offer simple guided cooking, helping to ensure perfect results.

*Selected markets and models

MODELS

Combination Steam Oven, 24", 23 Function

3 cu ft, Stainless steel, Touchscreen, Dial
OS24SDTDX2

SERIES & STYLE

Series 11
Contemporary

ACCESSORIES

- 1 Roasting dish
- 2 Broil rack
- 3 Step down wire shelf
- 4 Full extension sliding shelves
- 5 Large perforated pan

FEATURES

- 1 Contemporary style, designed to fit flush with cabinetry
- 2 Generous 3 cu ft total capacity with six shelf positions
- 3 Intuitive, large 5" touchscreen display with illuminated dial
- 4 23 oven functions including six steam-only functions
- 5 Moisture control and even heat distribution thanks to ActiveVent and AeroTech™ technology
- 6 Guided touchscreen cooking makes it simple to cook by food, function or recipe
- 7 Wireless Temperature Sensor precisely monitors cooking in real time*
- 8 Water tank capacity of 50.7 fl oz
- 9 Wi-Fi/Connected capability through the SmartHQ™ app*

*Selected markets and models

- 5 Small perforated dish
- 7 Large unperforated dish
- 8 Baking tray
- 9 Wireless Temperature Sensor*
- 10 Broil grid

*Selected markets and models

FISHER & PAYKEL

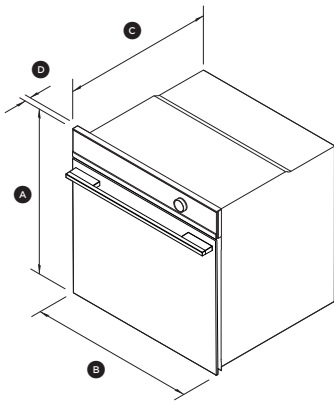
PRELIMINARY SPECIFICATION GUIDE

STEAM OVEN, 24"

SPECIFICATIONS

Model No.	OS24SDTDX2
Dimensions	H 23 9/16" (598mm) x W 23 7/16" (596mm) x D 22 1/4" (565mm)
Total capacity	3 cu ft (85L)
Weight	110 lbs (50kg) unpackaged 143 lbs (65kg) packaged
Electrical	
Supply	208-240V, 60Hz
Service	16.6-19.4 A circuit

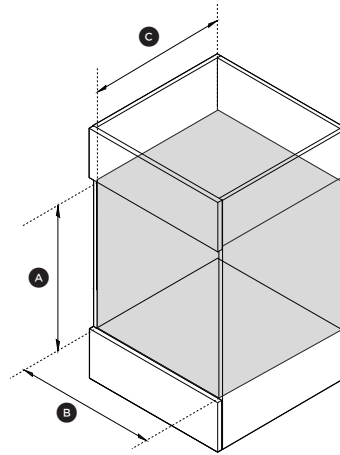
PRODUCT DIMENSIONS



ISO VIEW

		in	mm
(A)	Overall height	23 9/16	598
(B)	Overall width	23 7/16	596
(C)	Depth of chassis	21 7/16	545
(D)	Depth from front of chassis to front of oven door (excl.dial & handle)	13/16	20
	Depth of oven door when fully open (measured from front of control panel)	18 1/8	460

CAVITY DIMENSIONS



ISO VIEW

		in	mm
(A)	Minimum inside height of cavity	22 7/8	580
(B)	Minimum inside width of cavity	22 1/16	560
(C)	Minimum inside depth of cavity	21 11/16	550