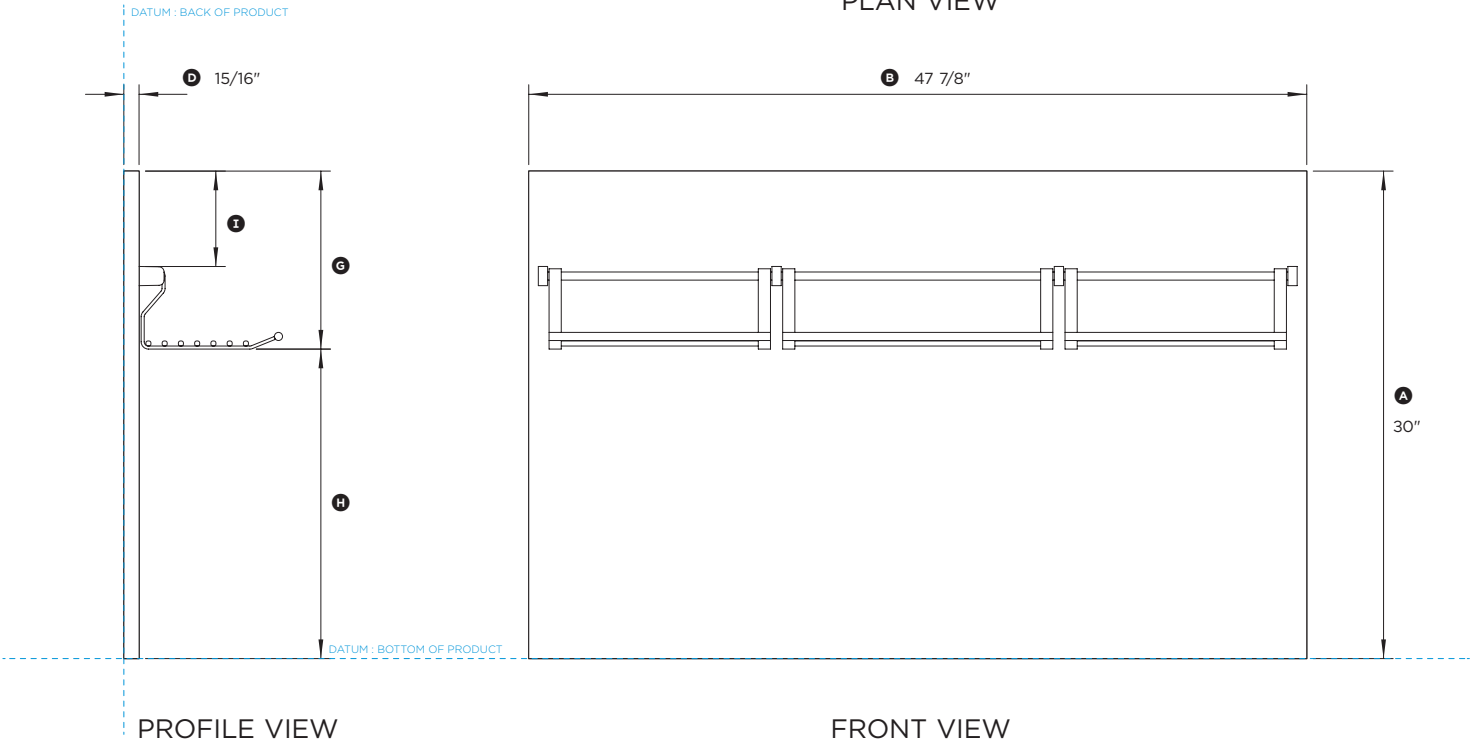
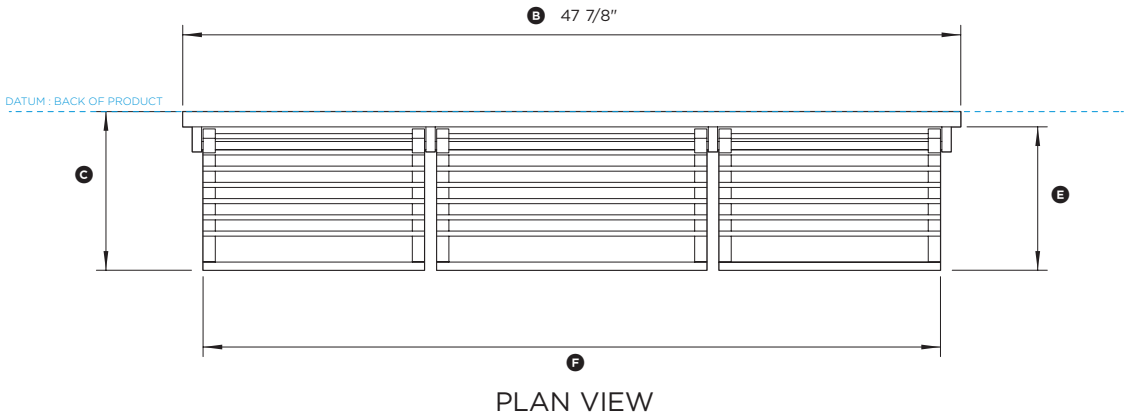
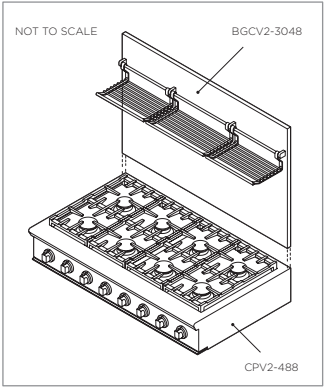


FISHER & PAYKEL

DATA SHEET 48" Professional Cooktop Backguard



Model no:
BGCV2-3048
(refer page 2 for metric measurements)

Product Dimensions	in
Ⓐ Overall height of backguard	30"
Ⓑ Overall width of backguard	47 7/8"
Ⓒ Overall depth of backguard and racks	9 3/4"
Ⓓ Depth of backguard	15/16"
Ⓔ Depth of racks	8 13/16"
Ⓕ Width of racks	45 3/8"
Ⓖ Distance from top of backguard to bottom of racks	10 15/16"
Ⓗ Distance from bottom of backguard to bottom of racks	19 1/16"
Ⓘ Distance from top of backguard to top of brackets	5 7/8"

INDICATES PRODUCT DATUM -----

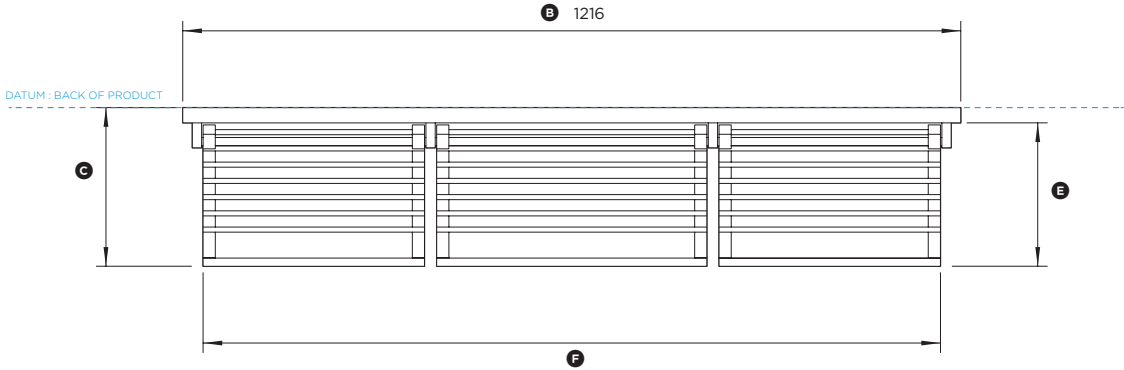
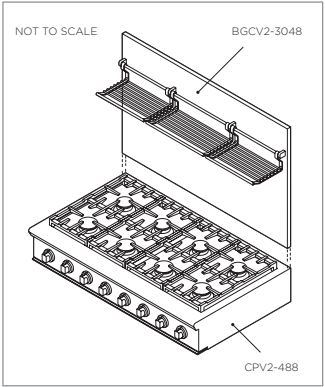


DATE: **24.04.2018**

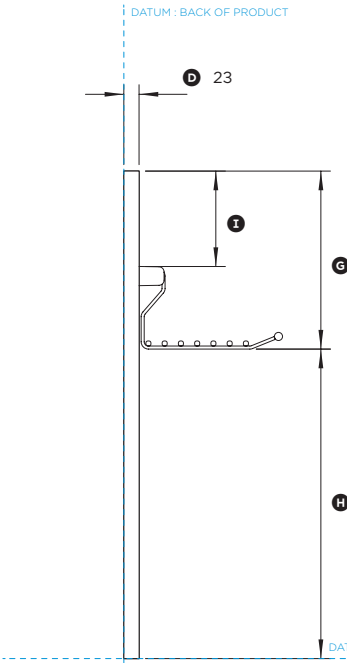
IMPORTANT: Throughout this guide, dimensions may vary by ±2mm (1/16"). Read the installation guide for detailed information on installing the product. For full installation instructions and specifications visit fisherpaykel.com

FISHER & PAYKEL

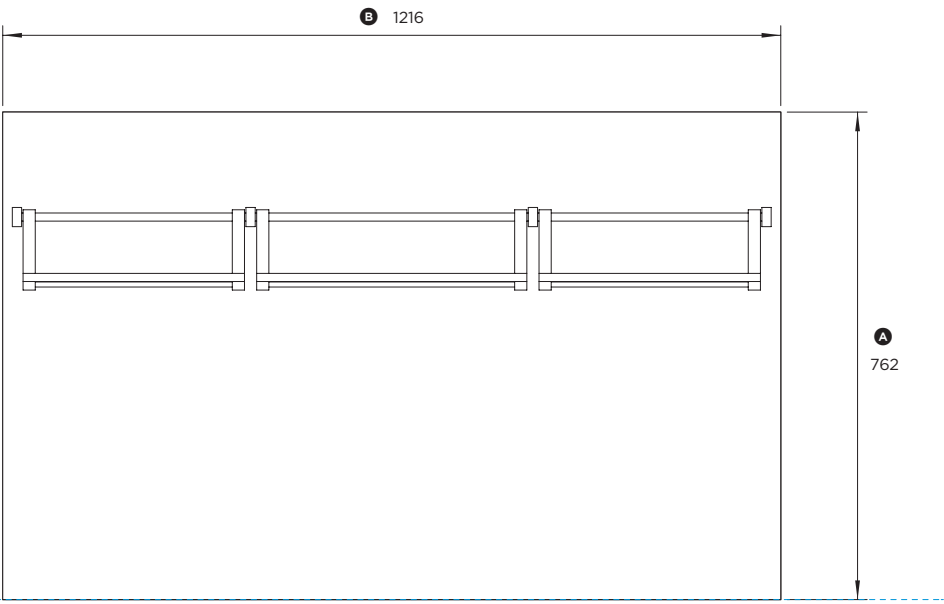
DATA SHEET 48" Professional Cooktop Backguard



PLAN VIEW



PROFILE VIEW



FRONT VIEW

Model no:
BGCV2-3048
(refer page 1 for imperial measurements)

Product Dimensions	mm
Ⓐ Overall height of backguard	762
Ⓑ Overall width of backguard	1216
Ⓒ Overall depth of backguard and racks	248
Ⓓ Depth of backguard	23
Ⓔ Depth of racks	224
Ⓕ Width of racks	1153
Ⓖ Distance from top of backguard to bottom of racks	278
Ⓗ Distance from bottom of backguard to bottom of racks	484
Ⓙ Distance from top of backguard to top of brackets	150

INDICATES PRODUCT DATUM -----



DATE: **24.04.2018**

IMPORTANT: Throughout this guide, dimensions may vary by ±2mm (1/16"). Read the installation guide for detailed information on installing the product. For full installation instructions and specifications visit fisherpaykel.com