

# Integrated Dishwasher, Sanitise

Series 7 | Integrated

Panel Ready



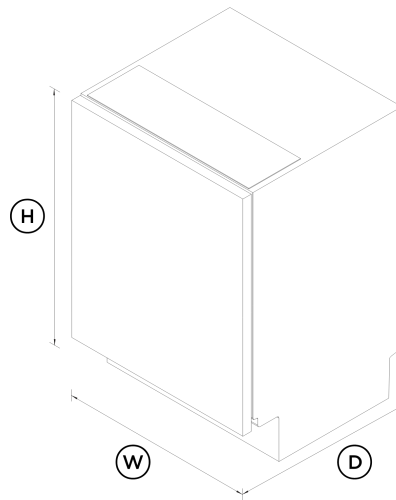
Designed to integrate seamlessly into your cabinetry, this dishwasher delivers superior wash performance and advanced drying.

- Customise with your own front panel and handle to match your kitchen cabinetry
- Eight wash programs from Heavy to Light, including Auto, 60min and Glassware
- Dry+, Sanitise, Half Load and Intensive modifiers provide extra wash options

- Wi-Fi enabled, it connects with the SmarthQ™ app for remote control and notifications

## DIMENSIONS

Height	820 - 880 mm
Width	597 mm
Depth	554 mm



## FEATURES & BENEFITS

### SEAMLESS INTEGRATION

Customise your dishwasher with a panel and handle to match your cabinetry, ensuring a seamless kitchen finish.

### Advanced Drying

For beautifully dry dishes every time, this dishwasher features an advanced drying system with fan-assisted drying and Auto Door Open at the cycle's end. This releases excess steam, making dishes ready for use or storage. An innovative air curtain channels steam away from the adjacent benchtop, protecting your cabinetry.

### A RELIABLE CLEAN

This dishwasher offers eight wash programs including Auto, which automatically senses the optimal wash settings for your dishes. The three-stage filtration system ensures a superior clean, and the rinse aid indicator reminds you to refill for sparkling results.

### Customise Your Wash

Customise your wash with the Half Load modifier for faster turnaround of partial loads. Sanitise kills 99.99% of bacteria\* in the final rinse, and the Dry+ modifier is ideal for plastic dishes. \*Certified to NSF/ANSI Standard 184.

### QUIET PERFORMER

Running at a very low decibel rating, this dishwasher operates quietly. Clever technology and simple mechanics ensure greater reliability and superior wash performance with minimal noise.

### FLEXIBLE LOADING

Designed to accommodate 16 place settings, this dishwasher offers adjustable rack options for flexible loading. It includes a cutlery tray for small utensils, a height-adjustable middle rack, cup holders, and wine glass supports for convenience.

## SPECIFICATIONS

### Accessories (included)

Cutlery basket	•
Kickstrip	true

**Accessories (sold separately)**

Door panel black stainless steel	<b>ADDW60PB</b>
Door panel stainless steel	<b>ADDW60PX</b>
Handle kit Classic	<b>AHCL-DDDW-60X</b>
Handle kit Contemporary square fine, aluminium	<b>AHD5-OBDD-60SX</b>
Handle kit Contemporary square fine, black	<b>AHD5-OBDD-60SB</b>

**Capacity and loading**

Accommodates round plates up to (lower basket)	<b>320mm</b>
Accommodates round plates up to (top basket)	<b>220mm (with cutlery tray), 280mm (cutlery tray removed)</b>
Adjustable height, foldable cupracks	•
Easy lift adjustable upper basket	•
Fold down tines	•
Fold down wine racks	•
Full width cutlery/utensil tray	•
Place settings per drawer	<b>16</b>
Wine glass supports with stemware grippers	•

**Consumption**

Energy rating	<b>B</b>
Energy usage	<b>66 kWh/100 cycles</b>
In-use energy carbon emissions estimate	<b>13.1kgCO2e/100 cycles</b>
Water usage (per wash cycle)	<b>9.5L</b>

**Controls**

Energy saving delay start option of up to 24 hours	•
Floor light cycle feedback	•
Internal light	•
Internal wash selector	•
Intuitive capacitive touch controls	•
Keylock	•
Rinse aid indicator light	•

**Features**

Air curtain for bench protection	•
Aquastop	•
Auto Door Open Dry	•
Built-in water softener	•
Fan assisted drying	•
Flood protection	•
Fully independent spray arms	•
Half load option	•
Internal tub material	<b>Stainless Steel</b>
Motor type	<b>BLDC</b>
Three-stage filtration system	•
Variable wash pressure technology	•

**Performance**

Noise emissions	<b>42 dBA</b>
-----------------	---------------

**Power requirements**

Amperage	<b>10A</b>
Supply frequency	<b>50Hz</b>
Supply voltage	<b>220 - 240V</b>

**Product dimensions**

Depth	<b>554 mm</b>
Height	<b>820 - 880 mm</b>
Width	<b>597 mm</b>

**Warranty**

Parts and labour	<b>5 years</b>
------------------	----------------

**Wash Program Modifiers**

Dry +	•
Half load	•
Intensive	•
Sanitise	•
Wash modifiers	<b>4</b>

**Wash Programs**

60 min	•
Auto	•
Eco	•
Glassware	•
Heavy	•
Light	•
Medium	•

Rinse	•
Wash programs	8

---

#### Water connection

Water pressure	30kPa - 1000 kPa
Water supply	3/4" BSP (20mm) Connector Water Inlet Hose

---

SKU	84224
-----	-------

---

The product dimensions and specifications in this page apply to the specific product and model. Under our policy of continuous improvement, these dimensions and specifications may change at any time. You should therefore check with Fisher & Paykel's Customer Care Centre to ensure this page correctly describes the model currently available. © Fisher & Paykel Appliances Ltd 2020

All appliances use energy, and energy usage typically generates carbon emissions. **Fisher & Paykel Appliances' In-use Energy Carbon Emissions Estimate** indicates carbon emissions from a product's in-use energy. This is calculated either annually or per cycle, using the product's market-specific energy label energy consumption data multiplied by the carbon emissions factor for energy in your country or region.

Our In-use Energy Carbon Emissions Estimate is designed to assist customers in making informed purchasing decisions when comparing different Fisher & Paykel products. For example, a heat pump dryer typically has a lower In-use Energy Carbon Emissions Estimate than a vented dryer.



**A PEACE OF MIND SALE**  
24 Hours 7 Days a Week Customer Support

T 08000 886 605 W [www.fisherpaykel.com](http://www.fisherpaykel.com)

#### Other product downloads available at [fisherpaykel.com](http://fisherpaykel.com)

- [↓](#) 2D-DWG Integrated Dishwasher
- [↓](#) 2D-DXF Integrated Dishwasher
- [↓](#) Datasheet Integrated Dishwasher
- [↓](#) Declaration of Conformity Integrated Dishwasher
- [↓](#) Energy & Water Label
- [↓](#) Service & Warranty
- [↓](#) Installation Guide Built-Under Dishwasher
- [↓](#) Product Information Sheet
- [↓](#) User Guide Dishwasher

Where applicable: