

**FISHER & PAYKEL**

# **INTEGRATED COLUMN**

---

**MULTIPLE PRODUCT INSTALLATION**

**REFRIGERATOR & FREEZER**

RS6121S, RS6121SH, RS7621S, RS7621SH RS4621F, RS6121F & RS7621F

**REFRIGERATOR-FREEZER**

RS6121W, RS7621W & RS9121W

**WINE CABINET**

RS6121V

**INSTALLATION GUIDE**

**EU**

**⚠ WARNING!**



**Electric Shock Hazard**

**Failure to follow this advice may result in electrical shock or death.**

- Read and follow the safety and warnings outlined in this User guide before operating this appliance.

**⚠ WARNING!**



**Cut Hazard**

**Failure to use caution could result in injury.**

- Take care: panel edges may be sharp.
- Do not put fingers in the drawers when closing.

**⚠ WARNING!**



**Tip Hazard**

- This product may tip until it is fully installed. Keep children away and take care. Failure to follow this advice may result in injury.
- This appliance is top-heavy and must be secured to prevent the possibility of tipping forward.

**To ensure that the appliance is stable under all loading conditions:**

- The anti-tip bracket and fittings supplied must be installed by a professional installer according to the installation steps in this guide.

# SAFETY AND WARNINGS

---

## READ AND SAVE THIS GUIDE

### WARNING!

To avoid hazard, follow these instructions carefully before installing or using this appliance.

- Please make this information available to the persons installing the appliance.
- Assume all electrical parts are live.
- Disconnect power supply before servicing and installation.

### BEFORE INSTALLATION

- The appliance has front and rear rollers to easily move forward and backward. Do not move the appliance sideways to avoid damaging the rollers or the floor covering/surface.
- Ensure your appliance is not exposed to any heat generating appliance eg cooktop, oven or dishwasher.
- The appliance must be installed by a qualified installer, or Fisher and Paykel trained and supported service technician to avoid faulty electrical and plumbing connections.
- All connections for electrical power and grounding must comply with local codes and ordinances and be made by licensed personnel when required.
- Avoid installation of the appliance/s under a ground fault circuit interrupter (GFCI).
- Ensure the appliance is installed properly. Improper installation that results in appliance failure is not covered under the appliance warranty.

### UNPACKING

- The appliance is heavy and requires at least two persons to move and install.
- Remove the installation kit (internal box) and trims kit (external box) while the product is still on the pallet.
- Avoid scratching the surface of your appliance when moving or installing.
- Keep the appliance stable and door closed to prevent tipping over when moving to the installation location.
- Ensure the feet of the appliance are retracted before moving to the installation location.
- If the appliance is damaged, contact your Fisher and Paykel dealer.
- Ensure all components and accessories are complete. Refer to 'Before installation'.
- Record the default Wifi password, and the model and registration numbers for future servicing or repair of your appliance.

### ELECTRICAL/PLUMBING

- Electrical and water supply connections for these appliances can be located in an adjacent area or unit (cabinet or cupboard) that are easily accessible in case of repair or disconnection.
- Ensure an isolating switch is available if electrical connection is not accessible.

## SAFETY AND WARNINGS

---

### INSTALLATION

- The anti-tip bracket and fittings supplied must be fitted to the wall of the finished enclosure to withstand a 100kg load.
- Ensure that the anti-tip bracket is installed correctly to prevent the possibility of the appliance tipping forward when the door is open.
- Ensure the door of the appliance is closed when rolling into the cabinetry.
- Ensure the power cord is not run over or damaged when rolling the product into the cabinetry.
- For flush installation, ensure the door panels are installed flush with cabinetry front surface. Ensure the appliance is properly centred.
- All four corners of the appliance must be supported firmly on the floor to eliminate any movement. Installing the appliance on a soft, uneven, or not level floor may cause twisting and poor door sealing.
- Use low speed, low torque setting when using a powered driver for the screws when fixing or aligning the product.
- Open the appliance door to remove the alignment brackets from both sides of the appliance, and then re-tighten the screws.

#### Stainless steel panel

- Protect the finish of the Fisher and Paykel Stainless Steel door panels from any scratch or damage.
- Remove the blue tape attached to inner edges of the door panels after the handles are installed.
- We recommend to load the shelves in the appliance door with weights to ensure an accurate door panel gap width. Load 15kg for RS61 models, and 20kg for RS76 models.

#### Custom panel

- If using Custom door panels, ensure they are prepared as per 'Custom door panel install dimensions' section.
- The thickness of the custom door panel can vary as long as the screws do not penetrate beyond the full depth of the door panel, and as long as the overall weight of door panel does not exceed the allowable weight. Refer to 'Door panel dimensions' for maximum door panel weight of your product.
- Do not place the handle holes in marked areas to avoid clashing with panel attachment brackets.
- Minimum panel thickness where screw hole is drilled must be 16mm.

#### Changing the door hinge (optional)

- Door hinges are interchangeable for each model. A hinge change kit is available and can be purchased separately if you prefer to change from 'right hinge door' to 'left hinge door' or vice versa.

## PARTS SUPPLIED

### INSTALLATION KIT (INTERNAL BOX)

#### Door panel attachment kit

- |  |  |
|--|--|
| <input type="checkbox"/> Side bracket (12)   | <input type="checkbox"/> Side spacer bracket (12)    |
| <input type="checkbox"/> Bracket slider (12) | <input type="checkbox"/> M5x12 Cross-head screw (44) |

#### Anti-tip bracket assembly

- |   |   |
|---|---|
| <input type="checkbox"/> Anti-tip bracket (1) | <input type="checkbox"/> 10-12x35mm crosshead screw (5) |
| <input type="checkbox"/> Masonry plug (5)     |   |

#### Miscellaneous parts

- |   |   |
|---|---|
| <input type="checkbox"/> Hinge limiting pin (3) | <input type="checkbox"/> Flow divider cap (1) |
| <input type="checkbox"/> Air toe kick seal (1)  |   |

### TRIMS INSTALLATION KIT (EXTERNAL BOX)

#### Refrigerator, Freezer, Wine Cabinet

- |  |  |
|--|--|
| <input type="checkbox"/> Door panel side cover (2) | <input type="checkbox"/> Door panel template (1) |
|--|--|

#### Refrigerator-Freezer

- |  |  |
|--|--|
| <input type="checkbox"/> Upper door panel side cover (2) | <input type="checkbox"/> Drawer top trim (1)     |
| <input type="checkbox"/> Lower door panel side cover (2) | <input type="checkbox"/> Door panel template (1) |

### MISCELLANEOUS ITEMS (MI) PACK

#### Refrigerator-Freezer, Refrigerator, Freezer,

- |                                       |
|---------------------------------------|
| <input type="checkbox"/> Safety Guide |
|---------------------------------------|

#### Wine Cabinet

- |                                       |   |
|---------------------------------------|---|
| <input type="checkbox"/> Safety Guide | <input type="checkbox"/> Air carbon filters #862755 (2) |
|---------------------------------------|---|

### WATER CONNECTION KIT

#### Ice & Water models only

- |  |   |
|--|---|
| <input type="checkbox"/> Water filter (preinstalled) | <input type="checkbox"/> 6mm Stainless steel braided hose with 7/16-24 UNS thread (1) |
| <input type="checkbox"/> Collet locking clip (1)     | <input type="checkbox"/> 6.35mm Adaptor (2)   |

## PARTS SUPPLIED

---

### INSTALL JOINER KIT

---

Used for combined installation of multiple appliances. Supplied in selected appliances only (Freezer and Wine Cabinets). For other models, the joiner kit (AJ-RS84LR) can be purchased separately through an authorised Fisher and Paykel dealer. Visit [fisherpaykel.com](http://fisherpaykel.com) for more information.

#### Joiner fastener kit

- |  |   |
|--|---|
| <input type="checkbox"/> Joiner Sleeve (2) | <input type="checkbox"/> Bolt M5 HEX (2)        |
| <input type="checkbox"/> Screw WSH M6 (1)  | <input type="checkbox"/> Flange Joiner Trim (2) |
| <input type="checkbox"/> M6 Hex Nut (1)    |   |

#### Trim

- Aluminium center trim (1)

### HINGE SWAP KIT

---

Hinge swap kits can be purchased separately through an authorised Fisher and Paykel dealer. Visit [fisherpaykel.com](http://fisherpaykel.com) for more information.

#### Right hand to left hand kit (848183P)

- |   |   |
|---|---|
| <input type="checkbox"/> M5 hex nut (2)             | <input type="checkbox"/> Left bracket adapter K05 (2) |
| <input type="checkbox"/> Left hinge bracket (1)     | <input type="checkbox"/> Left top alcove bracket (2)  |
| <input type="checkbox"/> Left top hinge bracket (1) | <input type="checkbox"/> Left top hinge pocket (1)    |
| <input type="checkbox"/> Dual lock tape (4)         |   |

#### Left hand to right hand kit (848184P)

- |  |  |
|--|--|
| <input type="checkbox"/> M5 hex nut (2)              | <input type="checkbox"/> Right bracket adapter K05 (2) |
| <input type="checkbox"/> Right hinge bracket (1)     | <input type="checkbox"/> Right top alcove bracket (2)  |
| <input type="checkbox"/> Right top hinge bracket (1) | <input type="checkbox"/> Right top hinge pocket (1)    |
| <input type="checkbox"/> Dual lock tape (4)          |  |



More information about available accessories can be found in the planning guide. To access the Planning Guide, scan the QR code or visit [fisherpaykel.com/specify](http://fisherpaykel.com/specify). Search by appliance type, product name or model code.

## TOOLS

---

### Supplied

- Spanner
- M4 hex key

### Not supplied

- Powered driver
- Flathead screwdriver
- Flathead screwdriver
- Cross-head screwdriver
- Hand truck
- Cutter (1)
- T20 star-head screwdriver  
(Used for changing hinge)
- 8mm socket wrench  
(Used for joiner bolts)
- 13mm socket wrench  
(Used for drawer panel of  
Refrigerator-Freezer model)
- Hacksaw  
(For cutting air flow divider to length)

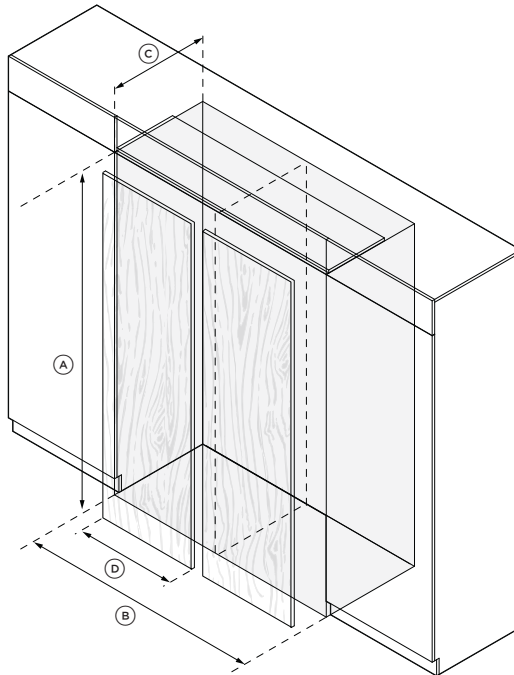
## ACCESSING YOUR PRODUCT SPECIFICATIONS



For full product, cabinetry and service specifications, refer to the **Planning Guide**. To access the Planning Guide, scan the QR code or visit [fisherpaykel.com/specify](https://fisherpaykel.com/specify). Search by appliance type, product name or model code.

### Dual installation cavity dimensions.

All other product, cavity and panel dimensions can be found in the planning guide. The installation guide and the planning guide should be used together to achieve an optimal installation.



CAVITY DIMENSIONS DUAL INSTALL	46cm Models	61cm Models	76cm Models	91cm Models
	mm	mm	mm	mm
Ⓐ Overall height of cavity	2134	2134	2134	2134
Ⓑ Overall width of cavity	915	1219	1525	1829
Ⓒ Minimum overall depth of cavity*	635	635	635	635
Ⓓ Custom door panel widths	453	605	758	910

\*Assumes a door panel thickness of 19mm



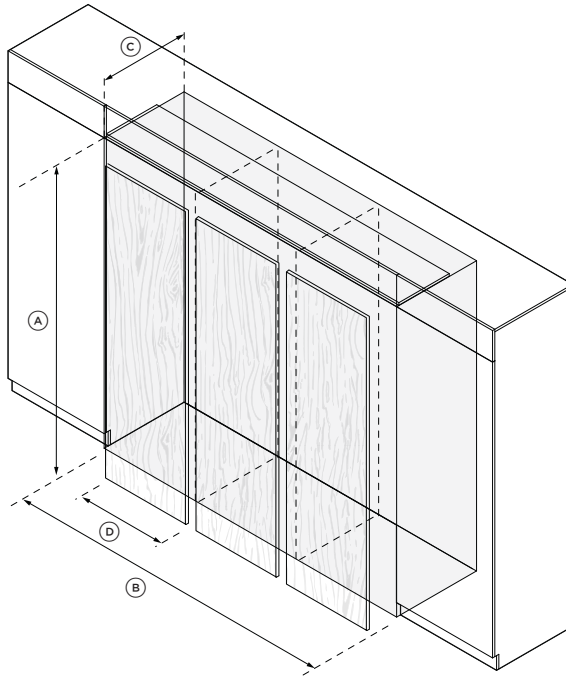
## ACCESSING YOUR PRODUCT SPECIFICATIONS



For full product, cabinetry and service specifications, refer to the **Planning Guide**. To access the Planning Guide, scan the QR code or visit [fisherpaykel.com/specify](https://fisherpaykel.com/specify). Search by appliance type, product name or model code.

### Triple installation cavity dimensions.

All other product, cavity and panel dimensions can be found in the planning guide. The installation guide and the planning guide should be used together to achieve an optimal installation.



CAVITY DIMENSIONS TRIPLE INSTALL	46cm Models	61cm Models	76cm Models	91cm Models
	mm	mm	mm	mm
Ⓐ Overall height of cavity	2134	2134	2134	2134
Ⓑ Overall width of cavity	1371	1827	2286	2742
Ⓒ Minimum overall depth of cavity*	635	635	635	635
Ⓓ Custom door panel widths	453	605	758	910

\*Assumes a door panel thickness of 19mm

## PRIOR TO INSTALLATION

---



[fisherpaykel.com/specify](https://fisherpaykel.com/specify)

1. Measure cavity dimensions. Ensure all minimum specifications have been met and clearances have been considered.



2. Ensure floor is level and clear and a finished return has been created if required.



3. Ensure services are accessible and correctly installed. If connections are located behind the appliance, an isolating switch is recommended.

## UNPACK

---



1. Cut the straps and the line printed on the top of the carton. Lift to remove.

Set cardboard aside for later use.



2. Remove the trim kit from the back of the product.



3. Remove the installation and miscellaneous item kits from inside the product.

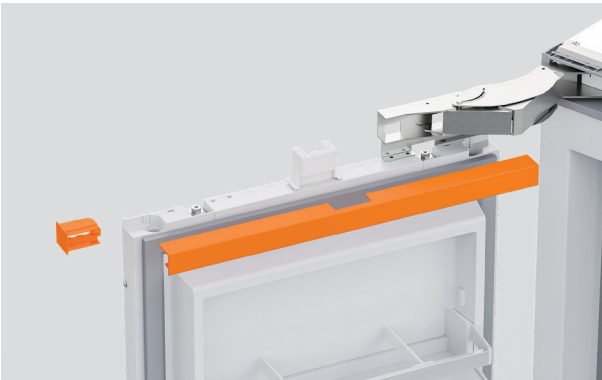
## REMOVE PRE-INSTALLED PARTS

---



### Top trim

Unclip the top trim from the non-hinge side of the product before sliding out from the hinge.



### Top door caps

Unclip both ends of the top door caps and pull outwards to remove. Ensure magnet stays in place.



### Bottom grille

Pull outwards to remove the bottom grille from the magnets.

## REMOVE PRE-INSTALLED PARTS

---



### Top grille

Open the water filter cover and remove the #8x16 screw.

Remove both #8x16 screws from either end of the grille. Pull grille outwards to remove.



### Toe kick mounting plate

Remove the screws to detach the toe kick mounting plate.



### Air flow divider

Remove the screw to detach the air flow divider.

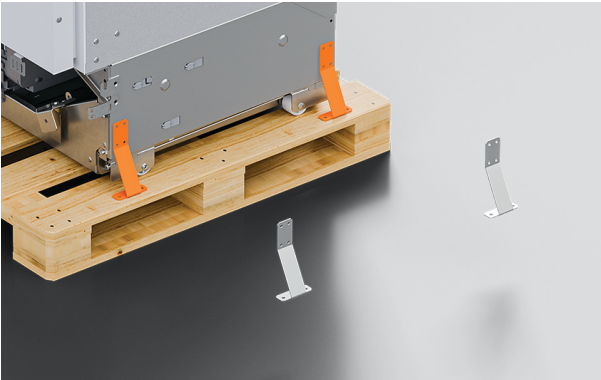
## MOVE APPLIANCE

---

Two people required at all times.



1. Take care when moving the appliance. Tape the door shut to prevent it opening.



2. Remove the brackets from the non-hinge side of the pallet.



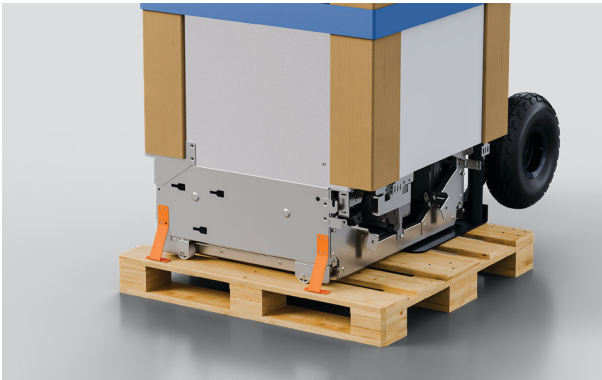
3. Tilt the appliance forward slightly and insert the hand truck between the pallet and product.

## MOVE APPLIANCE

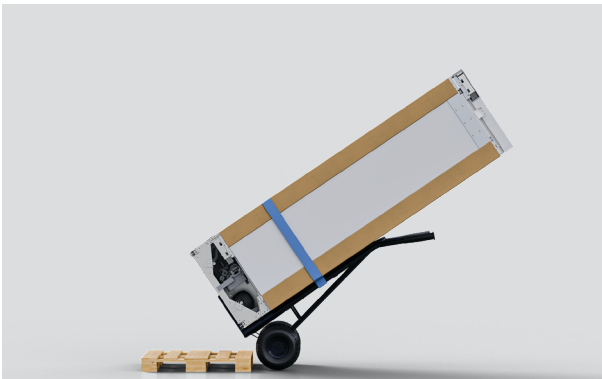
---



4. Restrain the product to the hand truck using the corner posts to prevent side trims pinching.



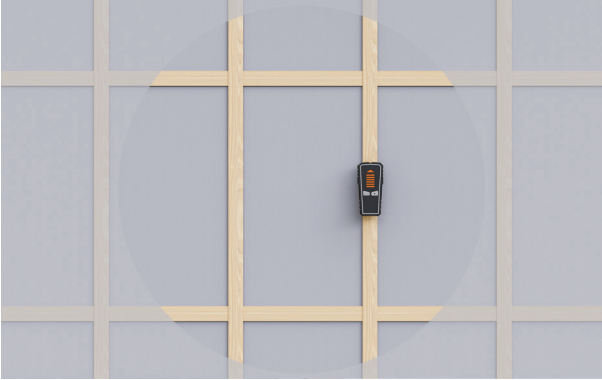
5. Removing the remaining brackets.



6. Tilt product and remove pallet. Move product to the installation location.

## INSTALL ANTI-TIP BRACKET

---

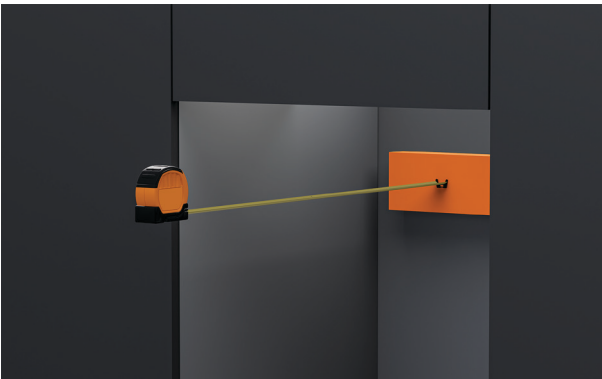


1. Ensure wall stud or solid surface is present.



2. Measure the height from the floor to the front overhang and mark on the rear wall.

The installation height of the anti-tip bracket must not exceed 2138mm to ensure product does not tip.



3. If alcove depth is greater than 635mm

A spacer will be required to be installed alongside the anti-tip bracket to bring depth to 635mm.



## INSTALL ANTI-TIP BRACKET



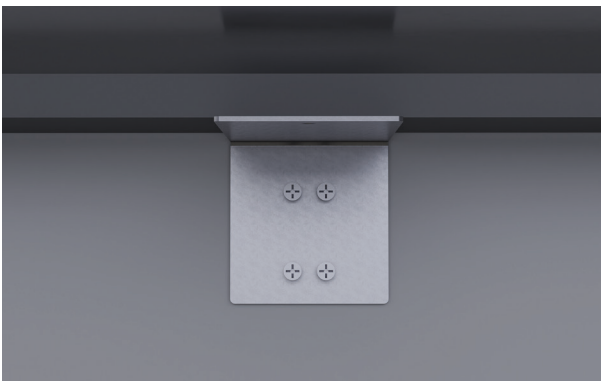
### 4. Solid wall installations

Using the bracket as a guide, pre-drill four holes into the wall or spacer. Secure using four Phillips screws



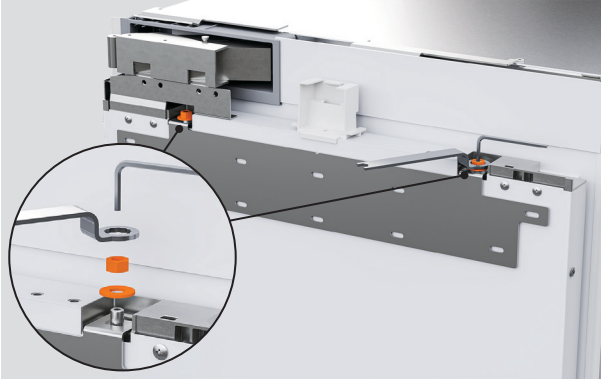
### 5. Masonry wall installations

Using the bracket as a guide, pre-drill four holes into the wall. Hammer four masonry plugs into the wall until flush before securing using four Phillips screws

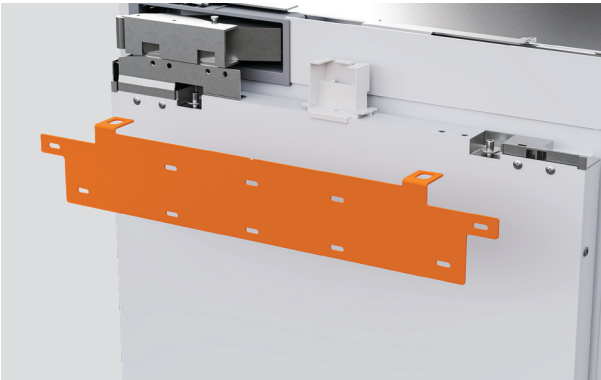


6. Ensure the anti-tip bracket is installed correctly to prevent the product tipping forward when the door is opened.

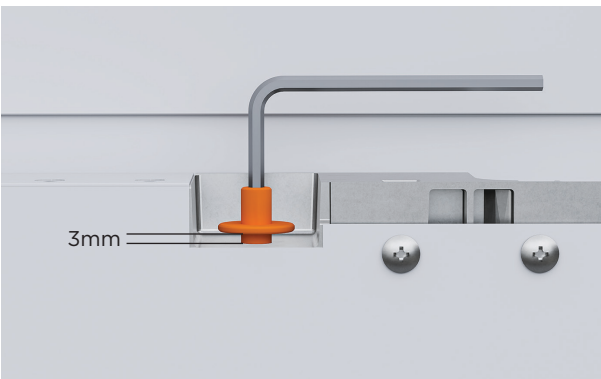
## PRODUCT PREPARATION



1. Remove the M8 nut and M8 washer from the M8 screw at the top of the door using the supplied hex key and spanner.

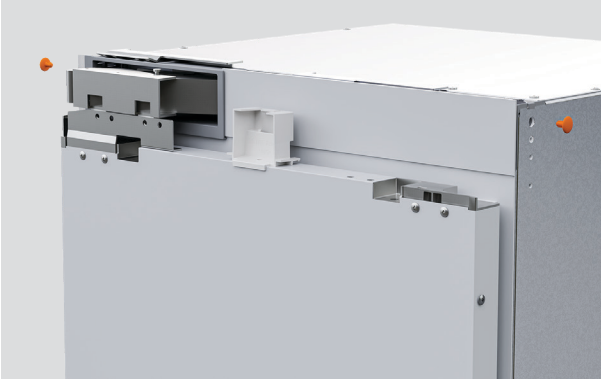


2. Remove the hanging bracket and set aside for later use. Repeat for lower drawer if required.

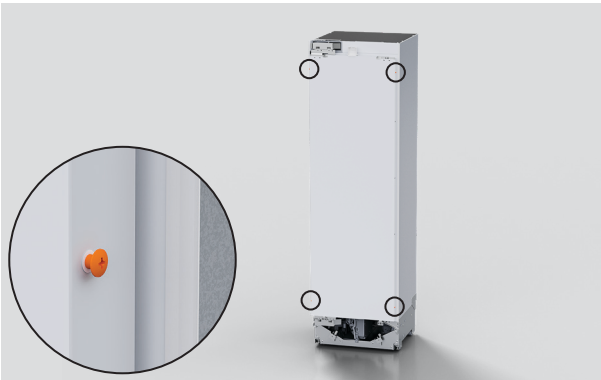


3. Loosen the M8 screws by 3mm.

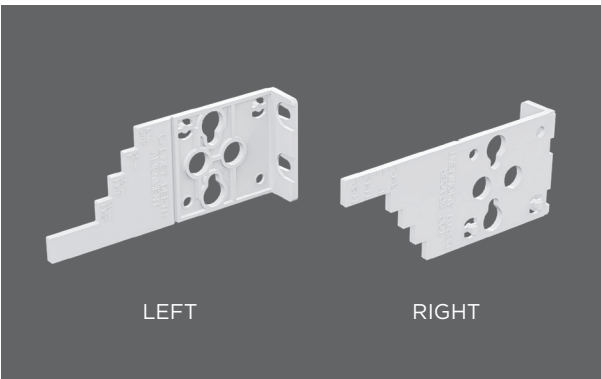
## PRODUCT PREPARATION



4. Insert the barbed plugs into the top left and right sides of the product to protect the cabinetry.



5. Loosen the screws at the top and bottom of the door.



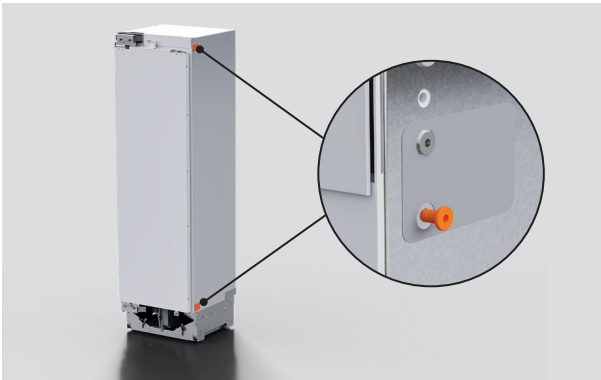
6. Ensure orientation of the gauges are correct before aligning to the door.

## PRODUCT PREPARATION

---



7. Slot the gauges onto the door screws. Push the gauges down to lock into position before tightening the screw to secure.



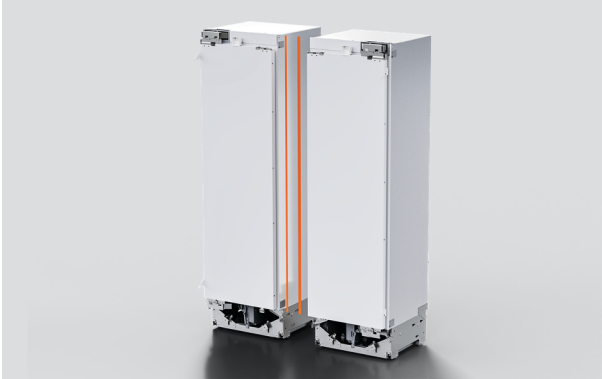
8. Remove both bolts from the side that will connect to the adjacent product.



9. Add the flange joiners and tighten using a 3mm Allen key.

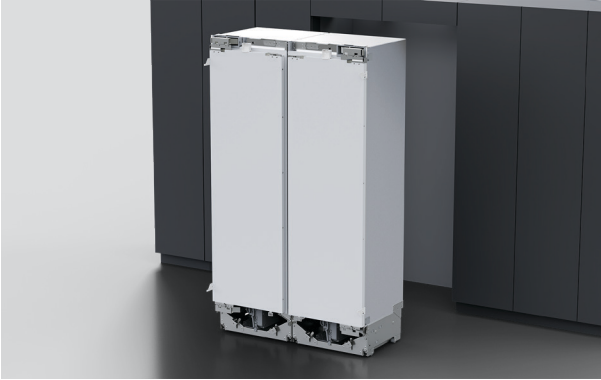
## PRODUCT PREPARATION

---

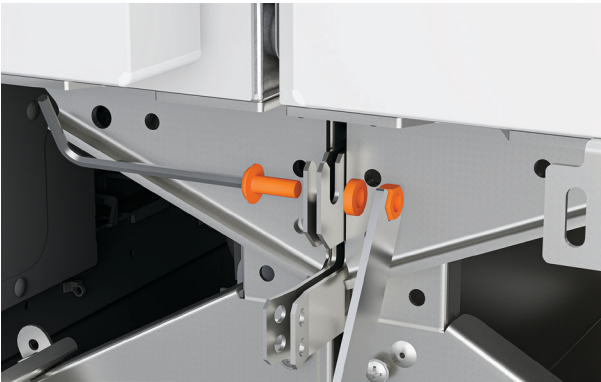


**10.** Remove alcove trims between adjacent products.

## JOIN PRODUCTS



1. Ensure doors are closed before rolling products into position.



2. Secure the lower brackets together using the supplied M6 screw and Nut. Secure using a 4mm Allen key and 10mm spanner.

Ensure brackets are clamped tightly before proceeding.



3. Clamp the upper brackets together by fitting the first the supplied M5 bolt and joiner sleeve. Tighten using a 8mm socket and Phillips screwdriver until the sleeve sits flush.

## JOIN PRODUCTS

---

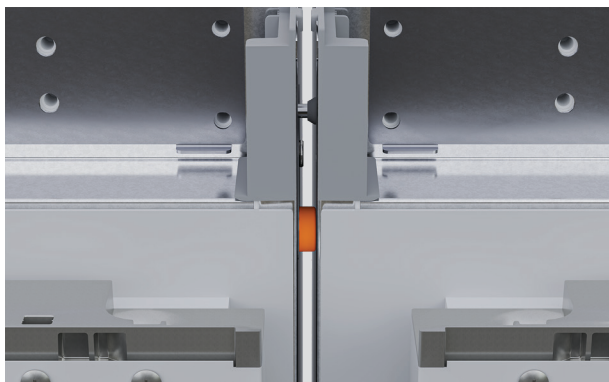


### **4. Handle to handle installations:**

Fit the second supplied M5 bolt and joiner sleeve.

For handle to handle install, use two bolts from both sides.

For handle to hinge, only one joiner bolt from handle side be inserted.



**5. Ensure the flange joiners contact the adjacent product as shown.**

## INSERT HINGE LIMITING PIN (OPTIONAL)

---



1. To limit the door opening to 90°, lower the hinge limiting pin into the upper and lower hinges.

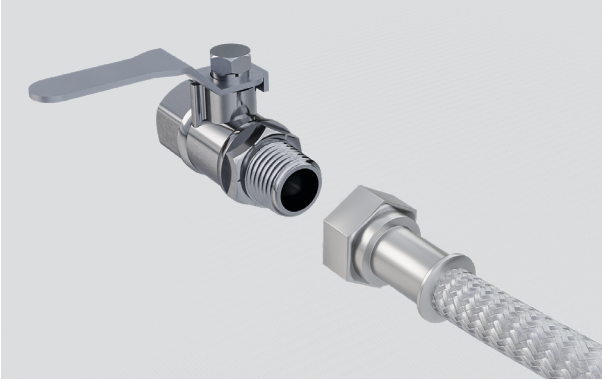


**2. Refrigerator-Freezer models:**  
Unclip the centre divider before fitting the pin to the lower hinge.  
Refit the centre divider.

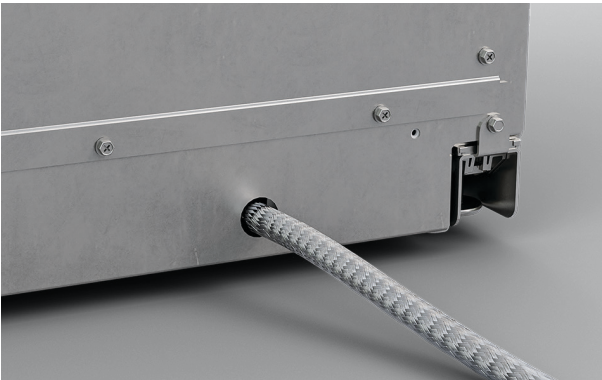


## CONNECT SERVICES

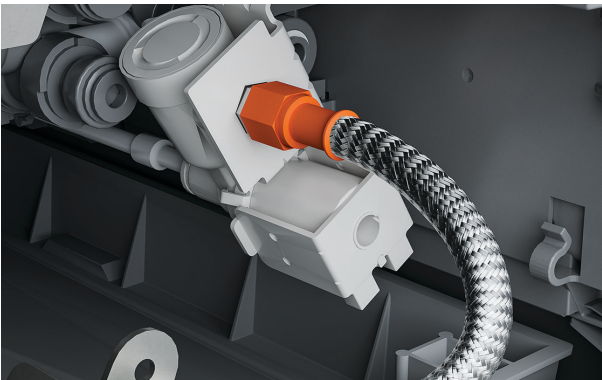
---



1. Connect one end of a braided hose to the tap.  
Flush water through hose prior to connection to remove any debris.



2. Push the hose through the plinth from the rear of the product.



3. Connect the hose to the isolation valve.

## CONNECT SERVICES

---



1. If required, wrap a thread around the power cord to reduce slack and decrease the risk of it tangling behind the product.



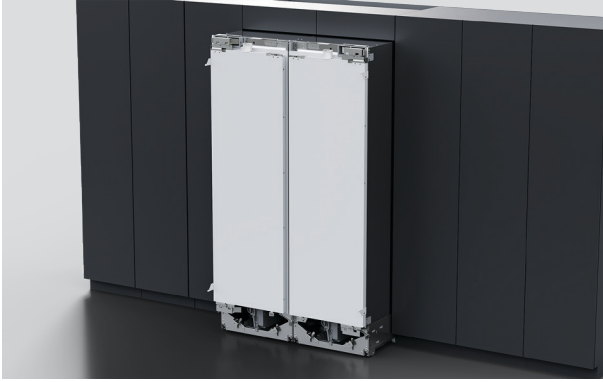
2. Connect to outlet and turn power on.



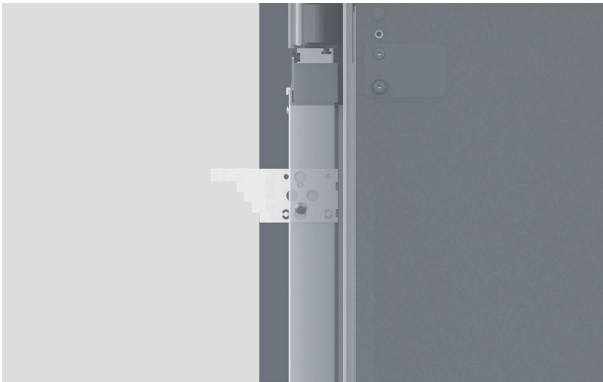
3. When powered on for the first time, your appliance will default to install mode.

## POSITION IN CAVITY

---



1. Carefully roll both products into cabinetry.



2. Mark the step of depth gauge on the cabinetry sides of the doors based on the thickness of door panel.



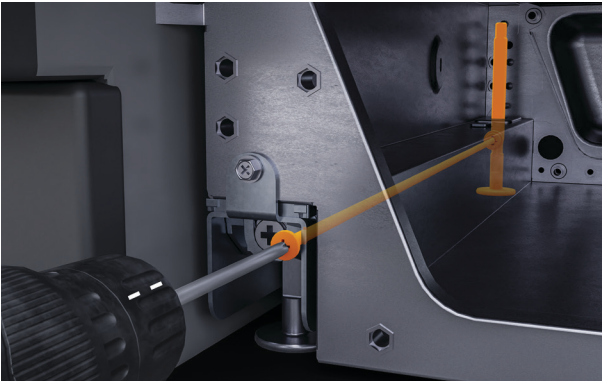
3. Align the marked line flush with the front surface of the adjacent cabinetry.

## LEVEL AND SECURE

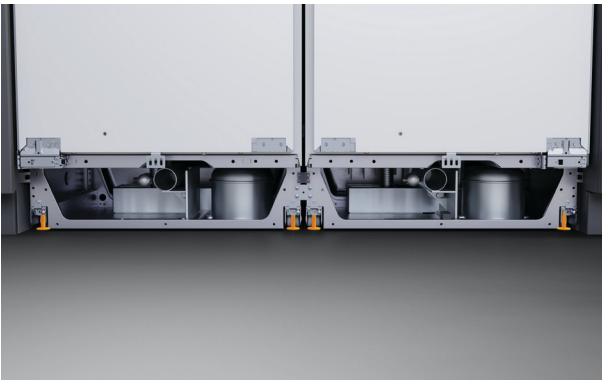


1. Adjust the front of the product by turning the left-hand screw clockwise to lower the feet.

We recommend marking a drill and counting the number of turns required to fully engage the feet.



2. Adjust the rear of the product by turning the right-hand screw clockwise to lower the feet.



3. Adjust the outside front feet followed by the outside rear feet. Once product is set in cavity, lower the central feet. Ensure the upper bracket touches the alcove.

## LEVEL AND SECURE

---



**4.** Check the alignment gauges while adjusting the screws. Using a ruler, check if the gaps between appliance and cabinetry side wall are even.



**5.** Fit the two lower side brackets to the cabinetry side surface with a 8Gx16 countersunk screw on each side.



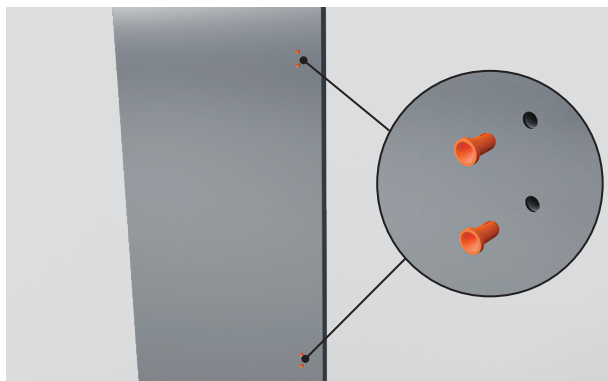
**6.** Fit the two upper brackets to the cabinetry using two 8Gx16 countersunk screws on each side.

## DOOR PANEL PREPARATION (PRE-FINISHED PANEL)

---



1. Remove the blue tape and protective film from the handle attachment area.



2. Remove the four plugs from the door panel.

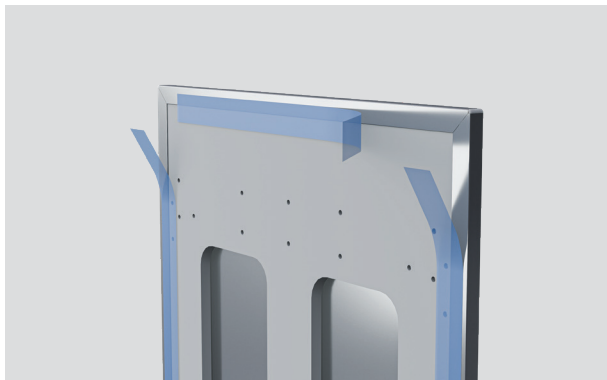


3. Fit the handle to the panel using four M5x25 hex screws.

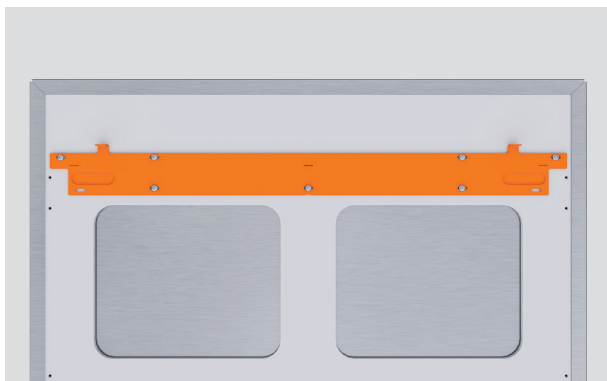
**Refrigerator-Freezer models:**  
Repeat for lower drawer.

## DOOR PANEL PREPARATION (PRE-FINISHED PANEL)

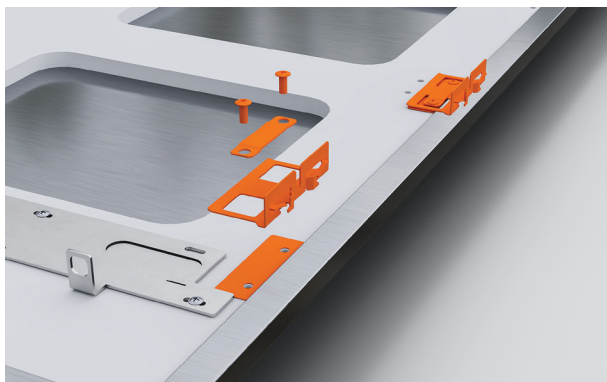
---



**4.** Remove the blue tape attached to the inner edges of the door panel after the handle is installed.



**5.** Secure the top hanging bracket to the screw holes of the door panel with M5 x 12 PH Screws.



**6.** Align the side brackets to the panel. Secure using the supplied screws. Ensure brackets are fitted tightly and the fasteners are secured straight.

## DOOR PANEL PREPARATION (PRE-FINISHED PANEL)

---



**7. Refrigerator-Freezer models:**  
Repeat for lower drawer.



**8. Wine Cabinet models:**  
Fit the supplied rubber trims around the window cut-out on the rear of the door panel. Ensure trims are flush with the inside edge and do not overlap the hanging bracket.



## DOOR PANEL PREPARATION (CUSTOM PANEL)

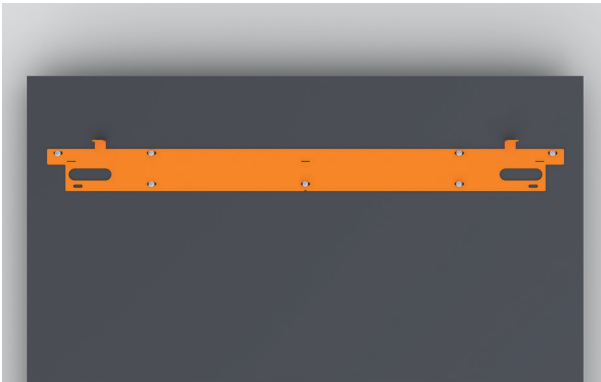
---



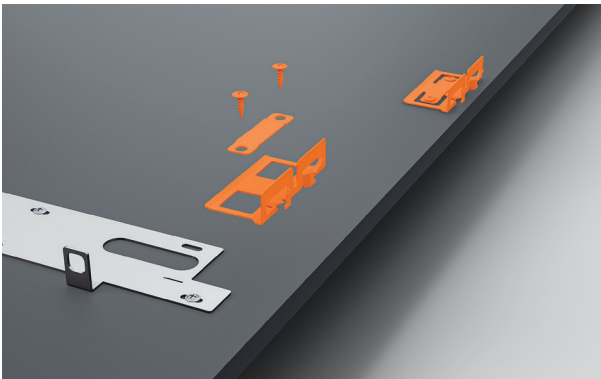
[fisherpaykel.com/specify](https://fisherpaykel.com/specify)

1. Recheck the door panel specifications and ensure all bracket locations have been marked. Refer to the planning guide for all custom panel details.

The supplied template can also be used to locate bracket hole locations. Follow the guidance on the template.



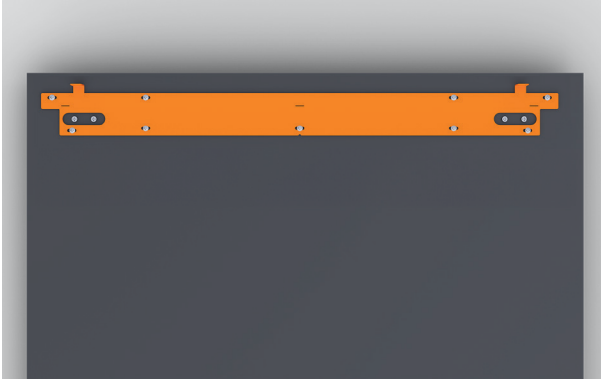
2. Align the door panel bracket to the panel. Secure using the supplied M5x12 screws.



3. Align the side brackets to the panel. Secure using the supplied screws. Ensure brackets are fitted tightly and the fasteners are secured straight.

## DOOR PANEL PREPARATION (CUSTOM PANEL)

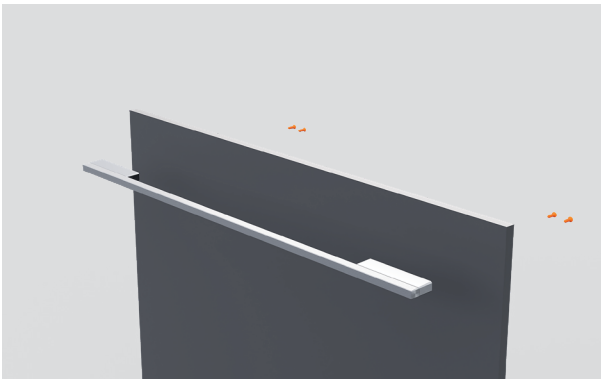
---



**6. Refrigerator-Freezer models:**  
Repeat for lower drawer.



**4. Fit the handle to the panel**  
using four M5x25 hex screws.  
Ensure handle fixings do not  
interfere with side brackets.



**5. Refrigerator-Freezer models:**  
Repeat for lower drawer.

## DOOR PANEL PREPARATION (CUSTOM PANEL)

---

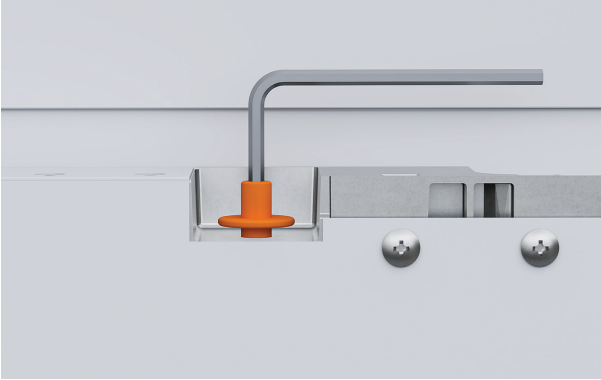


### 7. Wine Cabinet models:

Fit the supplied rubber trims around the window cut-out on the rear of the door panel. Ensure trims are flush with the inside edge and do not overlap the hanging bracket.

## INSTALL PANELS

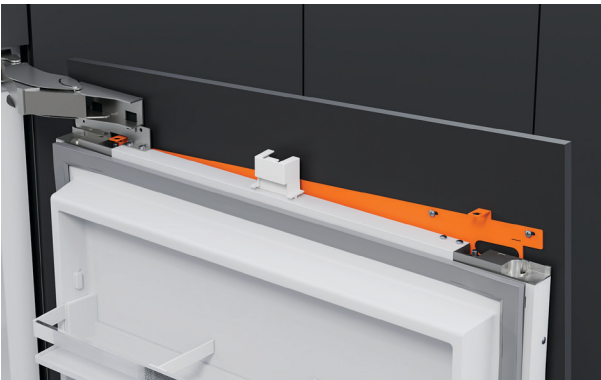
---



1. Ensure top mounting screws have been loosened by 3mm.



2. Loosen the side screws.



3. Hold the panel at an angle from the top of the door and lower onto the mounting screws..

## INSTALL DOOR PANEL



**4.** Ensure side brackets are disengaged and top mounting screws have been loosened.

Rotate the mounting studs clockwise to lower the panel and anti-clockwise to raise it.



**5.** Loosely tighten the side screws and the top M8 washers using the spanner and L key provided in the install kit.



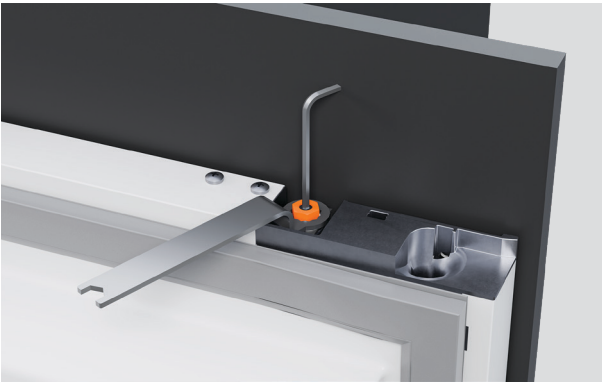
**6.** Push panel side-to-side to adjust horizontally. Ensure panels are flush with the front of the cabinet.

## INSTALL DOOR PANEL

---



7. Fit side screws to panel.



8. Tighten the M8 washers using the supplied spanner and hex key.

## INSTALL DOOR PANEL

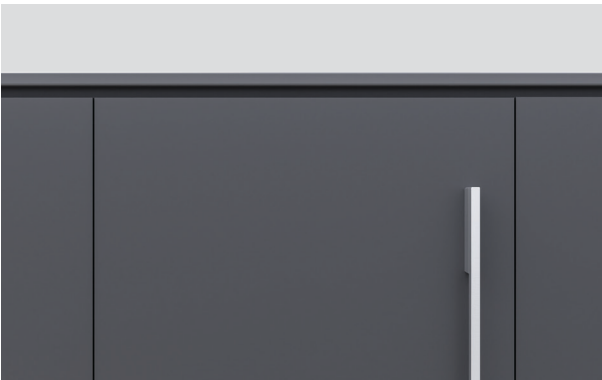
---



1. With the door open, loosen the lower bracket screw. Adjust bracket to rest against the door panel. Re-tighten the bracket screw.



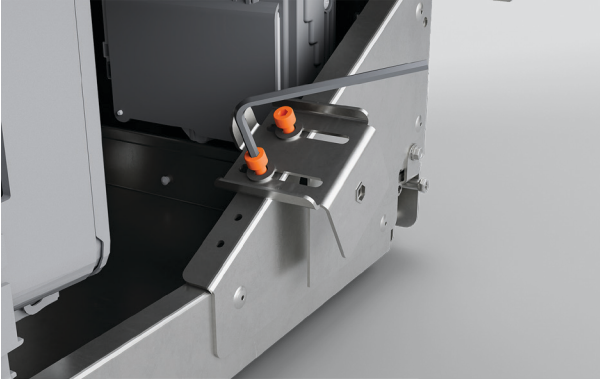
2. Fit an additional screw through the bracket to lock panel into position.



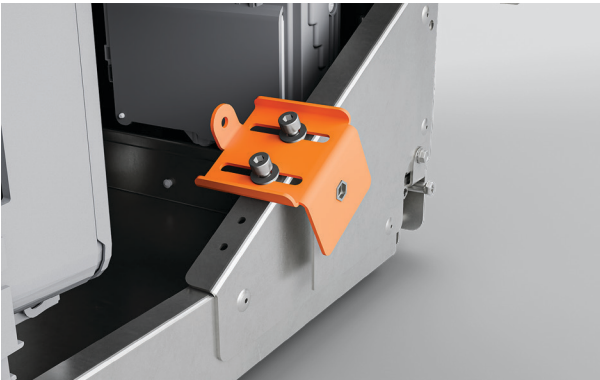
3. Recheck all gaps and any clashing.

## ADJUST MOUNTING PLATE BRACKETS

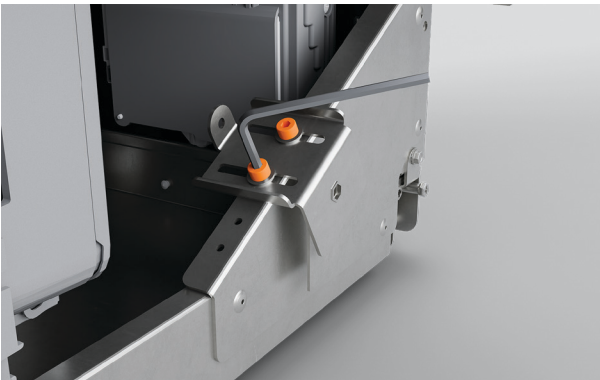
---



1. Loosen the adjustment bracket cap screws on both sides of the plinth using a hex key.



2. Adjust the brackets to achieved desired toe kick depth.



3. Re-tighten the cap screws.

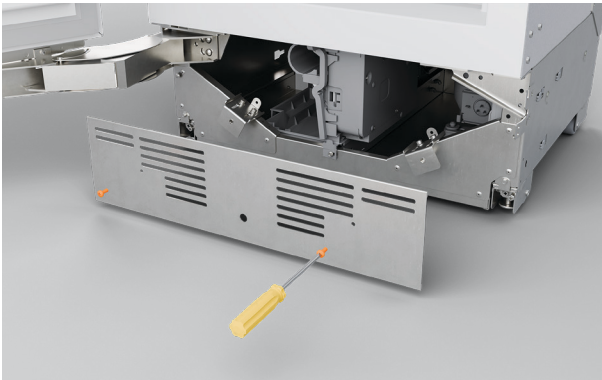


## INSTALL MOUNTING PLATE

---



**1. If there is a gap between the mounting plate and the plinth:**  
Attach the foam block to the back of the mounting plate.  
Press firmly to secure.



**2. Refit mounting plate using the screws that were set aside earlier.**

## INSTALL TOE KICK (PRE-FINISHED PANEL)

---



1. Center the spacers to the attachment points of the appliance, then mark the magnet fixing locations at the center of each spacer.



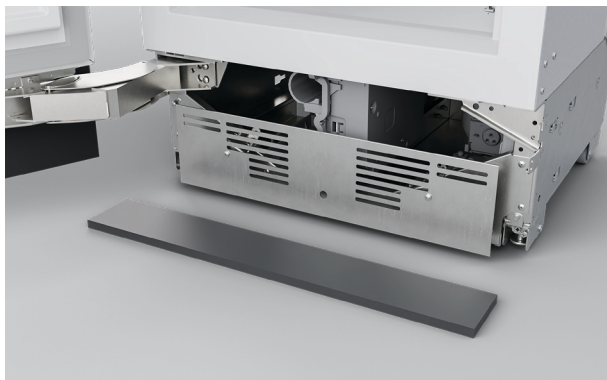
2. Secure the magnets to the spacers.



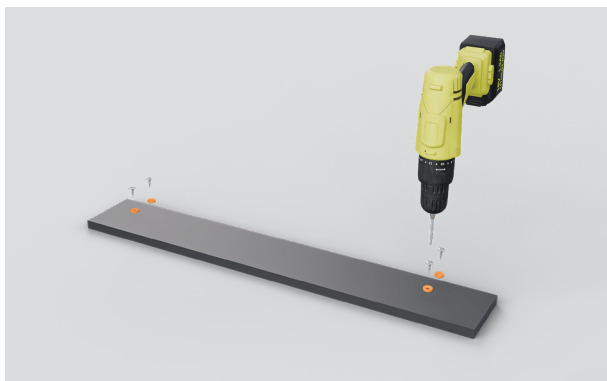
3. Clip toe kick into place

## INSTALL TOE KICK (CUSTOM PANEL)

---



1. Align the panel to the attachment points of the appliance, then mark the magnet fixing locations.



2. Secure the magnets to the spacers.



3. Clip toe kick into place.

## FIT GRILLES



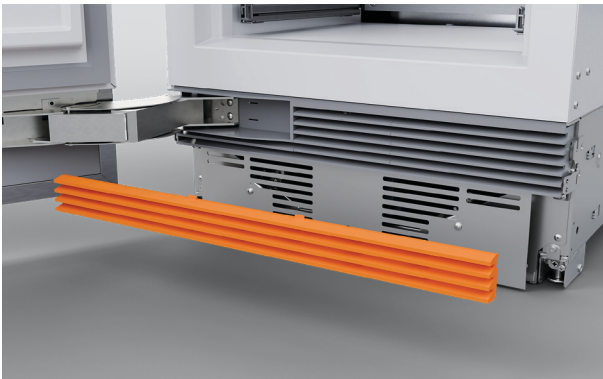
### Top grille - Refrigerator, Freezer, Wine Cabinet

Open the door and secure both ends of the grille behind the water filter hatch using #8x16 screws.



### Top grille - Refrigerator-Freezer

Reattach the top grille with #8x16 screws.



### Bottom grille

Re-attach the bottom grille via the magnets.

For toe kick heights 114 - 127mm, shorten the bottom grille by cutting along the vertical ribs.

## FIT TRIMS

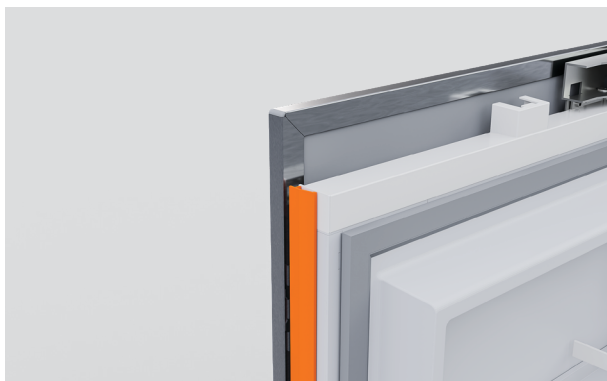


### Top door caps

Remove the backing film and ensure the magnet is in place.

Clip the notch into the magnet housing, and the trim caps on top of the adhesive strips. Press down firmly to secure.

**Ensure the magnet remains in place and not damaged as this will affect the operation of the appliance.**



### Door side covers

Insert door side covers into the gaps on the sides slide downwards to clip into place. Press firmly to secure.

Ensure side cover is aligned with the top door panel extrusion.



### Drawer side covers

Insert the drawer side covers into the panel gaps on the right and left sides of the drawer.

Ensure the cabinet is centered to prevent the side covers from interfering with the cabinet.

## FIT TRIMS

---



### Drawer top trim

Align top trim to drawer and press down firmly to secure within panel bracket clips.

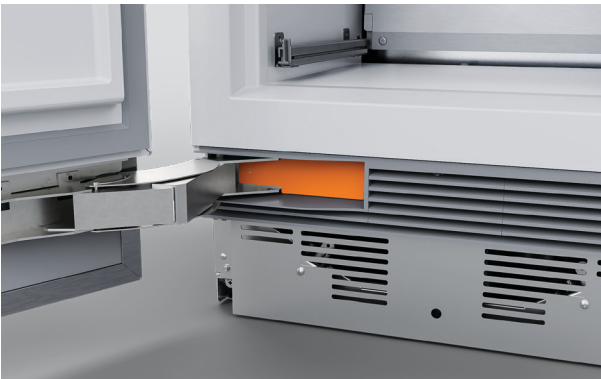
Ensure top trim is aligned with the drawer side covers.



### Top trim

Slide one end of the top trim into the hinge pocket.

Press the other end to secure.

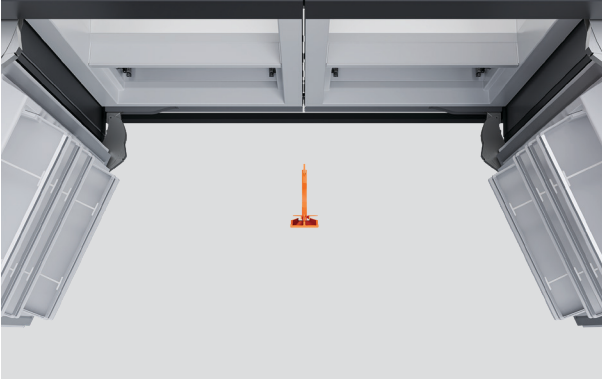


### Hinge pocket cover

Slide the hinge pocket cover inside the pocket. Press to secure.

## FIT TRIMS

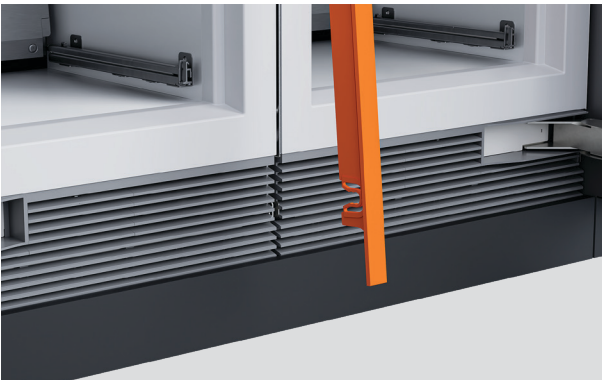
---



1. Position centre trim between products.



2. Push trim up into the upper bracket.



3. Push trim into the lower bracket.

## FIT TRIMS

---



4. Press the centre trim to fix the position.



## FIT WATER FILTER

---



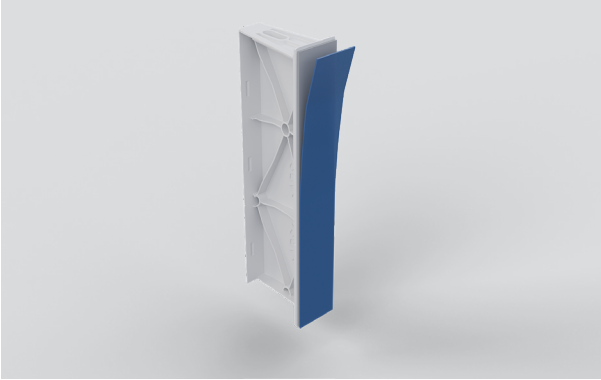
[fisherpaykel.com/specify](https://fisherpaykel.com/specify)

1. Install the water filter.

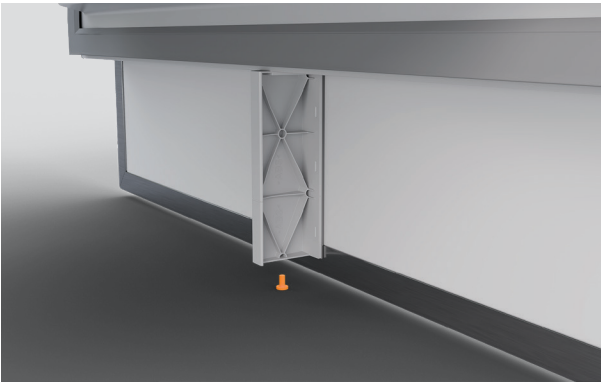
To access instructions, visit [fisherpaykel.com/specify](https://fisherpaykel.com/specify) and enter 'Water Filter' or the filter model code.

## SECURE FLOW DIVIDER

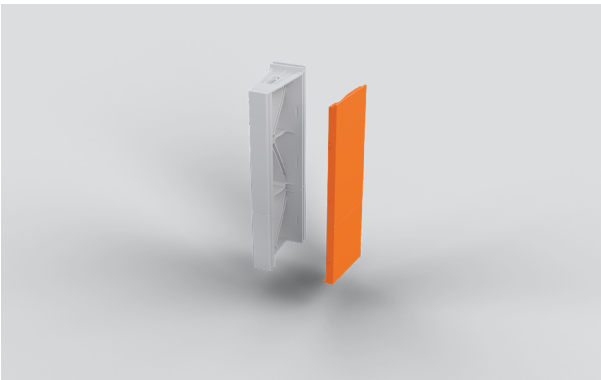
---



1. Remove the adhesive layer off the flow divider.



2. Press the flow divider firmly against the bottom of the panel. Secure flow divider to the panel using a screw.




3. Slot flow divider cap into place.

## EXIT INSTALLER MODE

---



1. Press and hold  to exit Install Mode.

## HINGE SWAP (OPTIONAL)

---

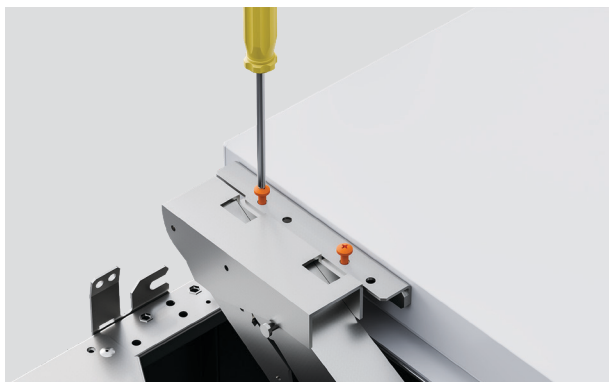
### ..... REMOVE DOOR .....

We recommend removing shelves prior to removing the door. Take care when removing the door.



1. Release the hinge spring by turning the T20 screw in the hinge to the '0' position.

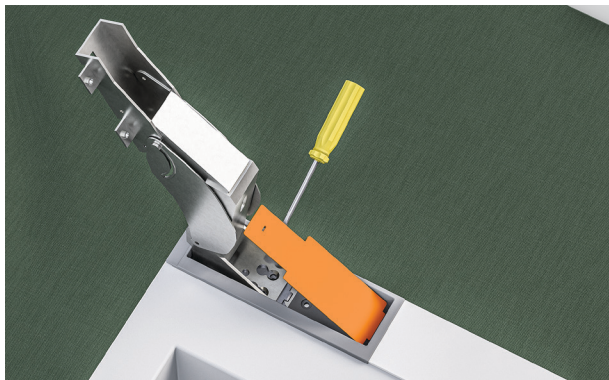
Close the door and lay the appliance on its back on the pallet.



2. Detach the door from the appliance by unscrewing the door hinge M6x10 hex screws (4x) at the top hinge and bottom/middle hinge.

## HINGE SWAP (OPTIONAL)

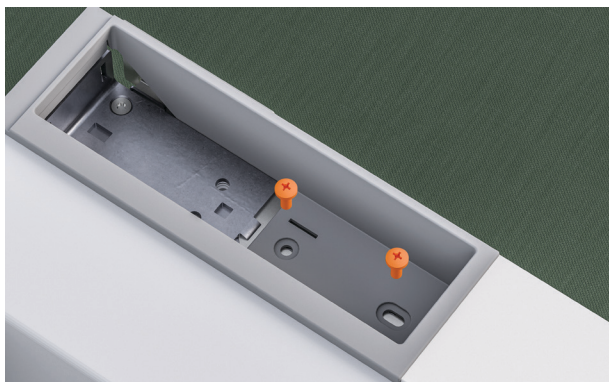
### REMOVE UPPER HINGE



1. Open the upper hinge fully and remove the hinge pocket cover using the flat head screwdriver.



2. Unscrew M6x16 countersunk screws to remove upper hinge and set aside.

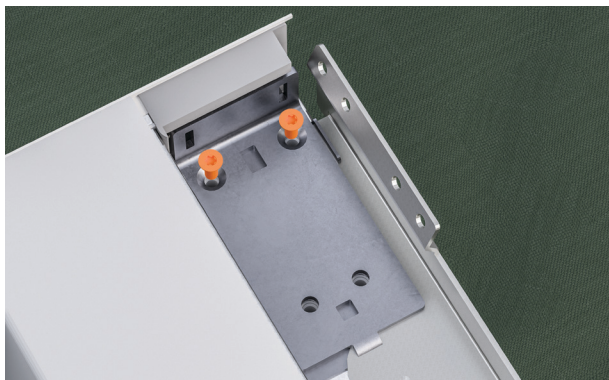


3. Unscrew M6x16 countersunk screws from hinge pocket to remove hinge pocket and upper alcove bracket.

## HINGE SWAP (OPTIONAL)

---

### ..... REMOVE UPPER HINGE .....



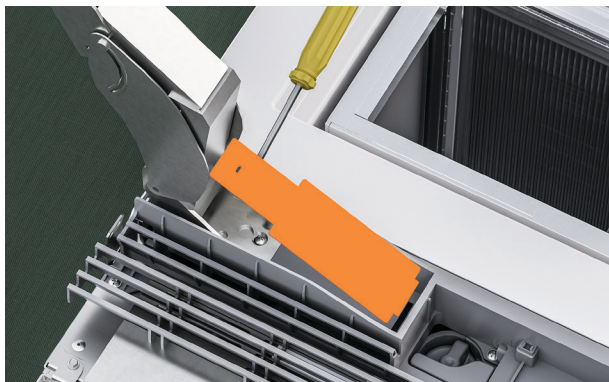
4. Unscrew M5x12 countersunk screws to remove upper hinge bracket and spacer.



5. For the non-hinge side, remove the alcove bracket by unscrewing the M6x16 countersunk screws.

## HINGE SWAP (OPTIONAL)

### REMOVE LOWER HINGE



#### 1. Refrigerator, Freezer and wine cabinet models:

Open the lower hinge fully and remove the hinge pocket cover using the flat head screwdriver.



#### 2. Refrigerator, Freezer and wine cabinet models:

Open the water filter hatch on the bottom grille and unscrew the #8x16 screw while holding the grille in place.



#### 3. Refrigerator, Freezer and wine cabinet models:

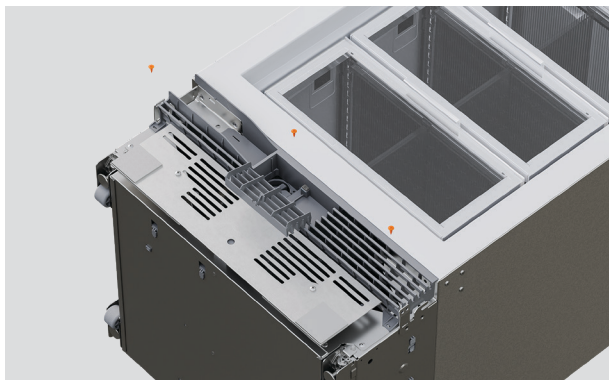
Remove the hinge by unscrewing the M6x16 countersunk screws (2x).

## HINGE SWAP (OPTIONAL)

---

### REMOVE LOWER HINGE

---



#### 4. Refrigerator, Freezer and wine cabinet models:

Remove the lower grille by unscrewing the #8x16 screws from the bottom left and right of the grille.



#### 5. Refrigerator, Freezer and wine cabinet models:

Remove bottom hinge bracket by unscrewing M6x16 countersunk screws.

**Do not remove plinth-to-cabinet retention brackets.**



## HINGE SWAP (OPTIONAL)

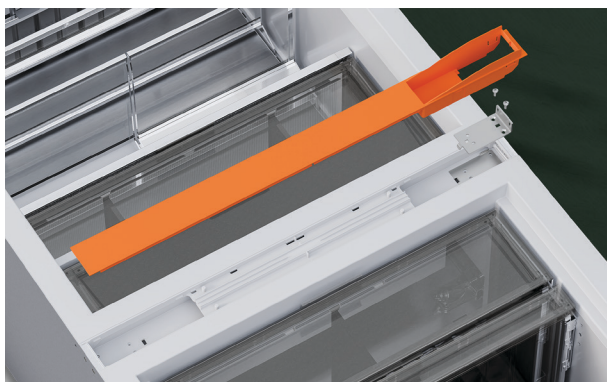
---

### ..... REMOVE CENTRE HINGE .....



#### **1. Refrigerator-Freezer models:**

Open the centre hinge fully and remove the hinge cover. Unscrew the M6x16 countersunk screws to remove.

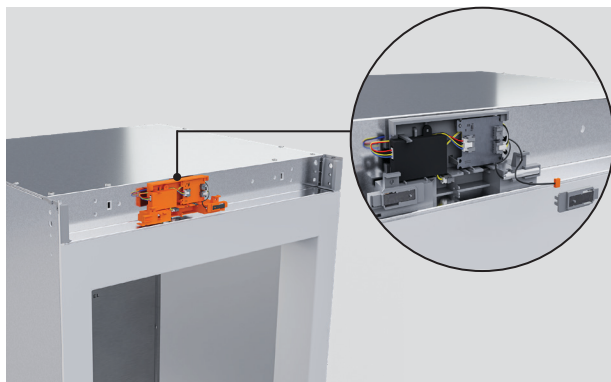


#### **2. Refrigerator-Freezer models:**

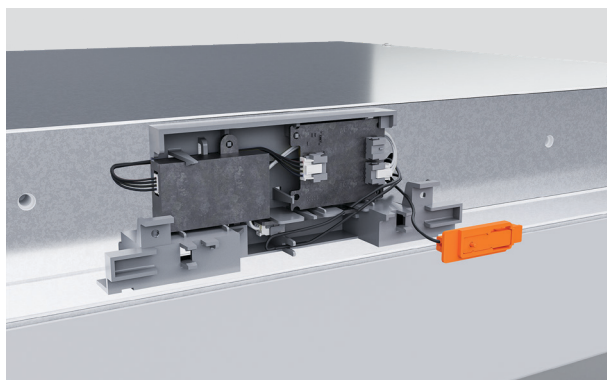
Unscrew M5x12 countersunk screws to remove top hinge bracket and spacer.

## HINGE SWAP (OPTIONAL)

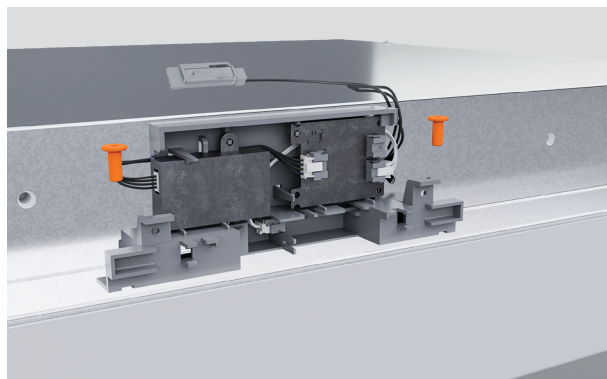
### MOVE SENSOR HOUSING (18" AND 24" MODELS ONLY)



1. Unclip the hall sensor from the housing.



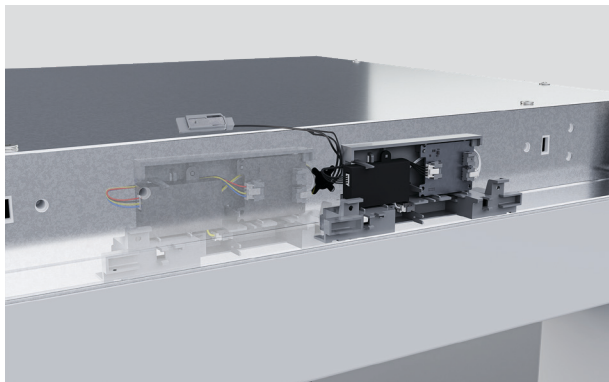
2. Unhook the interceptor board harness from the housing.



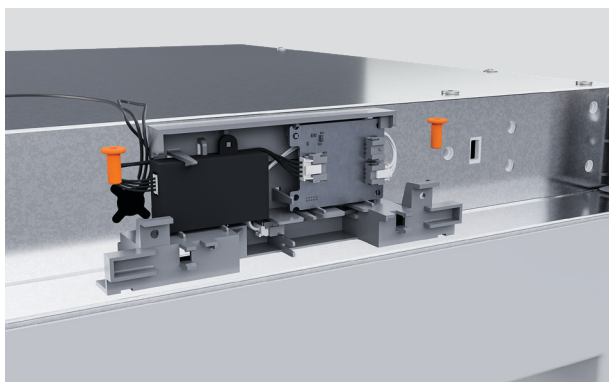
3. Remove the two #8x16 screws from the sensor housing.

## HINGE SWAP (OPTIONAL)

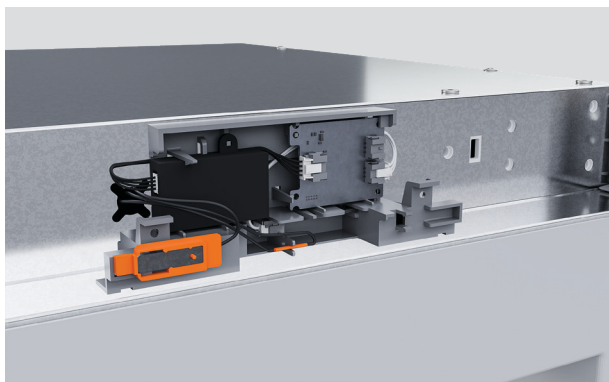
### MOVE SENSOR HOUSING



4. Move the sensor housing to align the opposite hall sensor clip with the centre of the cabinet



5. Reinstall the sensor housing using two #8x16 screws into the pre-drilled holes in the cabinet top panel.



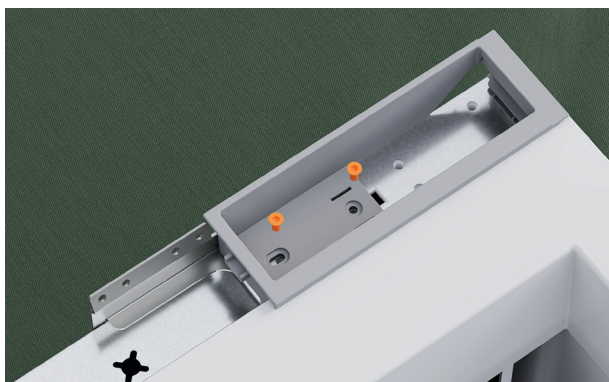
6. Clip the hall sensor into the sensor housing in the pocket closest to the centreline of the cabinet before pressing the interceptor board harness into the forks.

## HINGE SWAP (OPTIONAL)

### REFIT UPPER HINGE



1. Reinstall the upper hinge bracket and bracket spacer with M5x12 countersunk screws on the new hinge side.



2. Install the new hinge pocket and alcove top bracket on the new hinge side using two M6x16 countersunk screws. The new hinge pocket and top alcove bracket are supplied with the hinge kit.



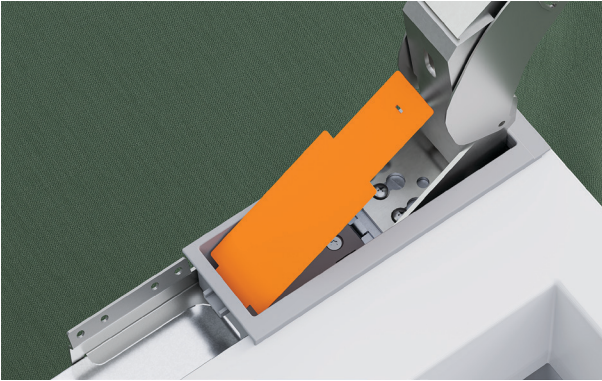
3. Secure the hinge in the pocket using two M6x16 countersunk screws.

## HINGE SWAP (OPTIONAL)

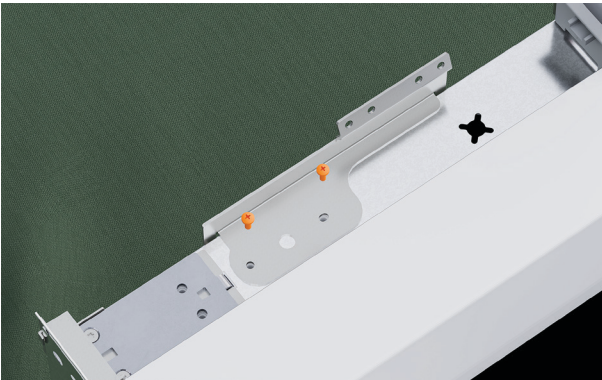
---

### REFIT UPPER HINGE

---



4. Open the hinge and clip the upper hinge pocket cover into place.



5. For the non-hinge side, fit a new alcove bracket using M6x16 countersunk screws.

## HINGE SWAP (OPTIONAL)

### REFIT LOWER HINGE



1. Fit a new lower hinge bracket on the new hinge side using two M6x16 screws

Ensure the tab on the top of the bracket inserts into the slot in the plinth front bracket.



2. Insert the removed top hinge into the lower bracket tabs.

Rotate it into place and secure with two M5x12 countersunk screws.



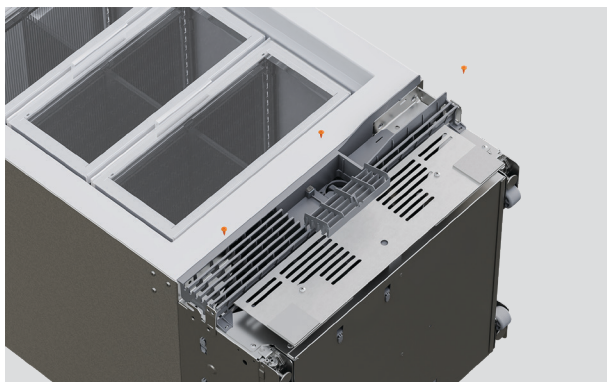
3. Open the hinge, and install the new top grille assembly.

## HINGE SWAP (OPTIONAL)

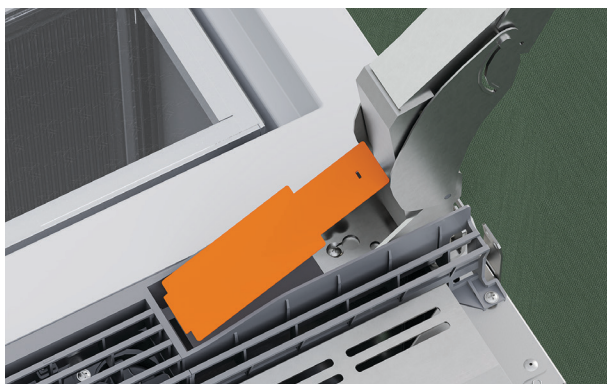
---

### REFIT LOWER HINGE

---



4. Secure with three #8x16 screws: one at the bottom left, one at the bottom right of the grille, and one behind the water filter hatch.



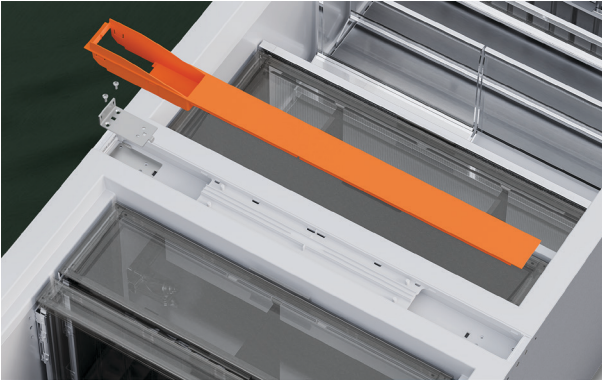
5. Clip the bottom hinge pocket cover into place.

## HINGE SWAP (OPTIONAL)

---

### REFIT CENTRE HINGE

---



1. Reinstall the centre hinge bracket and spacer using M5x12 countersunk screws.

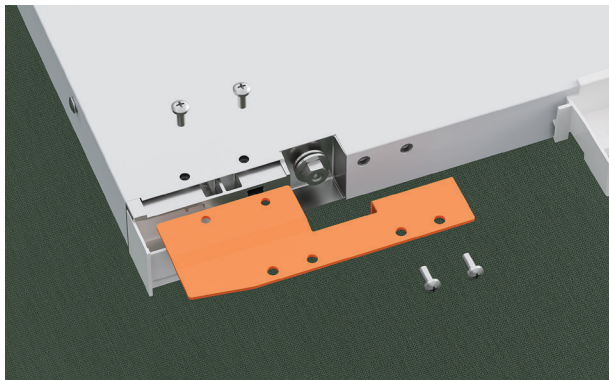


2. Open the centre hinge and reinstall using two M6x16 countersunk screws.

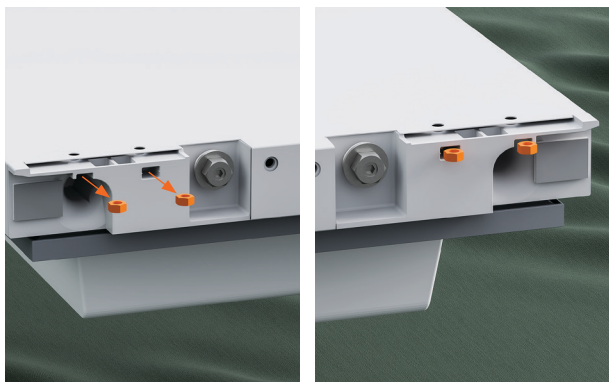


## HINGE SWAP (OPTIONAL)

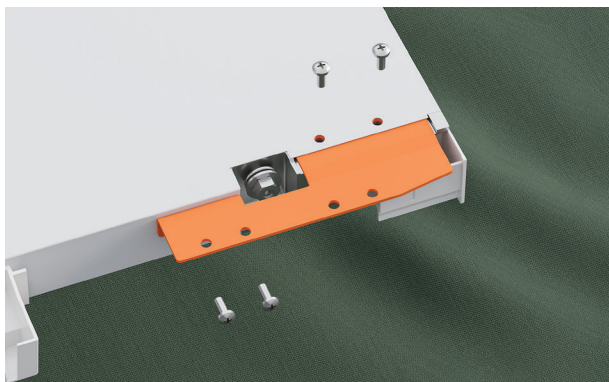
### SWAP UPPER DOOR BRACKET



1. Unscrew the four M5x10 screws to remove the upper adapter bracket from the top of the door.



2. Move the two nuts to the other side of the top of the door.



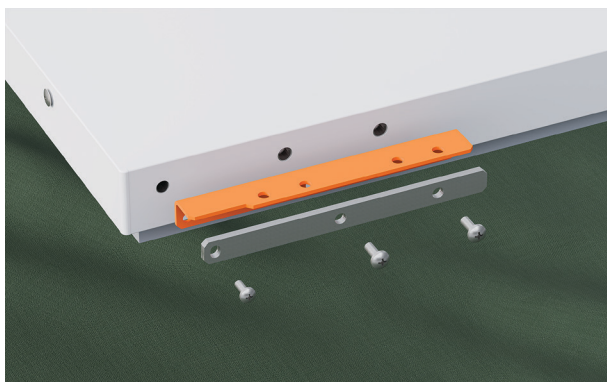
3. Install the new upper adapter bracket into the other side of the top of the door with four M5x10 screws.

## HINGE SWAP (OPTIONAL)

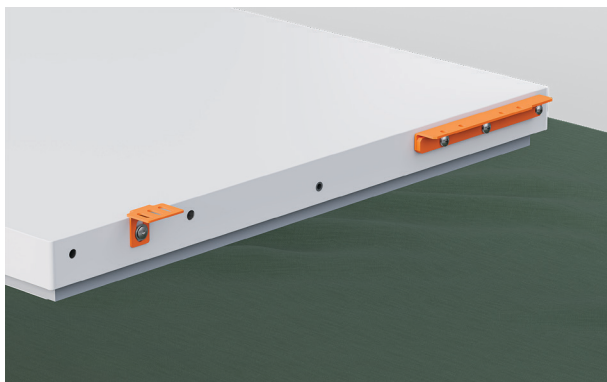
### SWAP LOWER DOOR BRACKET



1. Unscrew the M6x25 screw to remove the door panel locking bracket and washer from the bottom of the door.



2. Remove two M6x25 screws and one M5x30 screw to remove the lower adapter bracket and spacer.

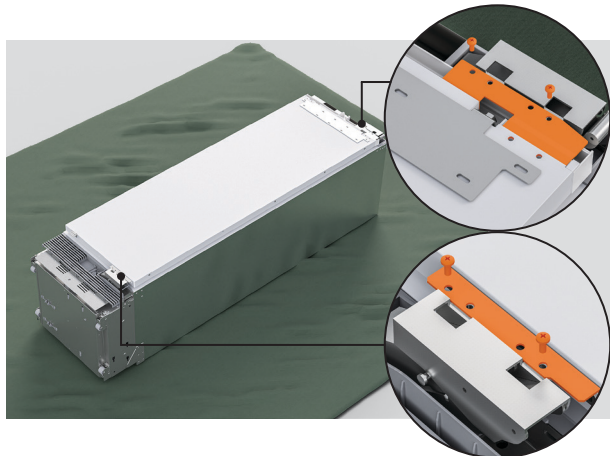


3. Install the new lower adapter bracket and existing spacer on the other side using the same screws.

Reinstall the door panel locking bracket and washer on the other side with one M6x25 screw.

## HINGE SWAP (OPTIONAL)

### REINSTALL DOOR



1. Secure the door to the top hinge and bottom/middle hinge with four M6x10 hex screws.



2. Activate the hinge spring by turning the T20 screws to the I position.



3. Reinstall all covers and trims

## INSTALLER CHECKLIST

---

Complete and keep for safe reference:

Model \_\_\_\_\_

Serial no. \_\_\_\_\_

Purchase date \_\_\_\_\_

Purchaser \_\_\_\_\_

Dealer address \_\_\_\_\_

Installer's name \_\_\_\_\_

Installer's signature \_\_\_\_\_

Installation company \_\_\_\_\_

Installation date \_\_\_\_\_



**FISHERPAYKEL.COM**

© Fisher & Paykel Appliances 2025. All rights reserved.

The models shown in this guide may not be available in all markets  
and are subject to change at any time.

The product specifications in this guide apply to the specific products and  
models described at the date of issue. Under our policy of continuous product  
improvement, these specifications may change at any time.

For current details about model and specification availability in your country,  
please go to our website or contact your local Fisher & Paykel dealer.

**432139A 01.25**