

# Integrated Wine Cabinet, 24", 35 bottles

Series 9 | Integrated

Panel Ready | Right Hinge



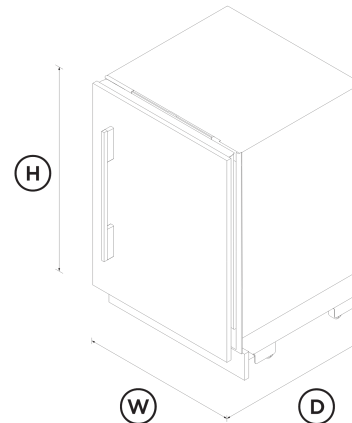
Designed for wine lovers, this under-counter wine cabinet seamlessly blends into any space of the evolving home. With dual temperature zones and specialized modes, it provides optimal conditions for all wine types.

- With two independent temperature zones to cater for different wine varieties
- Four specialized wine modes for Red, White, Sparkling, and Cellar wines

- Accommodates up to 35 bottles, providing ample space for a diverse collection
- Designed to fit flush, with only 3/16" gaps and no visible hinges or grilles

## DIMENSIONS

Height	33 13/16 "
Width	23 5/16 "
Depth	22 11/16 "



## FEATURES & BENEFITS

### Complete Design Freedom

This sleek under-counter wine cabinet enhances any space, from kitchens to home bars, rumpus rooms to home cinemas. Compact and stylish, it is a sophisticated, space-efficient solution for wine enthusiasts looking to add elegance and accessibility to their home. Pairs perfectly with our Beverage Center to create an entertainer's dream set-up.

### Optimal Wine Care

To provide the perfect storage environment for your wine collection, this cabinet has been engineered to maintain a consistent temperature across two independently-controlled zones. An activated carbon filter in each compartment clears the air of pollutants, ensuring your wine is perfectly preserved.

### Precise Temperature Control

Four tailored wine modes offer optimal temperatures for serving and cellaring different types of wine: Red, White, Sparkling, and Cellar. These modes ensure each variety can receive the care it needs to be enjoyed at its best. Manual temperature adjustments are possible in 1.8°F increments between 43-64°F.

### Reduced Vibration

Vibration can dull flavor and cause other unwanted issues in wine. This cabinet features a quiet, low-vibration compressor, full-extension slides with white oak shelving, and other strategically chosen absorptive materials to help carefully maintain the flavor profile of every drop.

### Customizable Lighting

The tinted glass door effectively filters out UV light, allowing your wine to mature naturally. LED lighting offers four beautiful illumination options to highlight your collection, from a candlelit ambience to brilliant display lighting.

### Seamless Fit

These panel-ready models are designed to fit flush, with only 3/16" gaps between the wine cabinet and surrounding cabinetry, and no visible hinges or grilles. The tinted glass door puts your collection proudly on display, or hide your collection seamlessly behind cabinetry with our solid door model.

### Simple Installation

Our Integrated products are easy to install, whether you are renovating your kitchen or designing a new one. Adjustable front and rear feet allow for uneven floors alongside adjustable door panels that can be customized to match your kitchen. These models are designed to easily slide into place under your counter - a perfect fit for European-design kitchens.

## SPECIFICATIONS

### Accessories (sold separately)

Door panel stainless steel	<b>RD2435VL</b> (Framed - Left)
	<b>RD2435VR</b> (Framed - Right)
Handle kit Classic	<b>AHCLRD35</b>
Handle kit Contemporary round	<b>AHSRD35</b>
Handle kit Contemporary square fine, aluminium	<b>AHD5RD35</b>
Handle kit Contemporary square fine, black	<b>AHD5RD35B</b>
Handle kit Professional round flush	<b>AHP3RD35</b>
Joiner kit	<b>AJRS35LR</b>
Toe kick stainless steel 23"	<b>AKRS2304</b>
Toe kick stainless steel 47"	<b>AKRS4704</b>

### Capacity

Number of bottles	<b>35</b>
-------------------	-----------

### Features

Air filter lower compartment	•
Air filter upper compartment	•
Door alarm	•
Full extension storage racks	<b>5</b>
LED lighting	•
Low vibration compressor	•
Removable solid oak shelves	<b>5</b>
SmartTouch interface at counter height	•
Telescopic slide out oak shelves	<b>5</b>
UV tempered glass door	•
Wi-Fi connectivity	•

### Installation Dimensions

Minimum inside width of cabinetry frame	<b>23 5/8 "</b>
Minimum internal depth of cabinetry	<b>23 5/8 "</b>
Minimum internal height of cabinetry	<b>34 "</b>

### Performance

ActiveSmart™ wine care	•
Door opening	<b>right hand hinge</b>
Dual evaporator	•
Dual Zone	•
Noise emissions	<b>34 dBA</b>
Sabbath mode	•
Temperature range	<b>43-64 degrees Fahrenheit</b>
Variable temperature zones	<b>2</b>
Variable wine modes	<b>Red, White, Sparkling, Cellar</b>

### Power Requirements

Rated current	<b>10 A</b>
Supply frequency	<b>60 Hz</b>
Supply voltage	<b>115 V</b>

### Product Dimensions

Depth	<b>22 11/16 "</b>
Height	<b>33 13/16 "</b>
Width	<b>23 5/16 "</b>

### Warranty

Parts and labor	<b>2 years</b>
-----------------	----------------

SKU	26704
-----	-------

The product dimensions and specifications in this page apply to the specific product and model. Under our policy of continuous improvement, these dimensions and specifications may change at any time. You should therefore check with Fisher & Paykel's Customer Care Centre to ensure this page correctly describes the model currently available. © Fisher & Paykel Appliances Ltd 2020

### Other product downloads available at fisherpaykel.com

- [↓](#) 2D-DWG
- [↓](#) 2D-DXF
- [↓](#) Service & Warranty
- [↓](#) Planning Guide Wine Cabinet & Beverage Center EN
- [↓](#) Revit 19

[↓](#) User Guide EN[↓](#) User Guide FR[↓](#) User Guide SP**Where applicable:**

All appliances use energy, and energy usage typically generates carbon emissions. **Fisher & Paykel Appliances' In-use Energy Carbon Emissions Estimate** indicates carbon emissions from a product's in-use energy. This is calculated either annually or per cycle, using the product's market-specific energy label energy consumption data multiplied by the carbon emissions factor for energy in your country or region.

Our In-use Energy Carbon Emissions Estimate is designed to assist customers in making informed purchasing decisions when comparing different Fisher & Paykel products. For example, a heat pump dryer typically has a lower In-use Energy Carbon Emissions Estimate than a vented dryer.



**A PEACE OF MIND SALE**  
24 Hours 7 Days a Week Customer Support  
T 1.888.936.7872 W [www.fisherpaykel.com](http://www.fisherpaykel.com)