

90cm Series 7 Classic 5 Zone Induction Cooker, 2 SmartZones

Series 7 | Classic

White



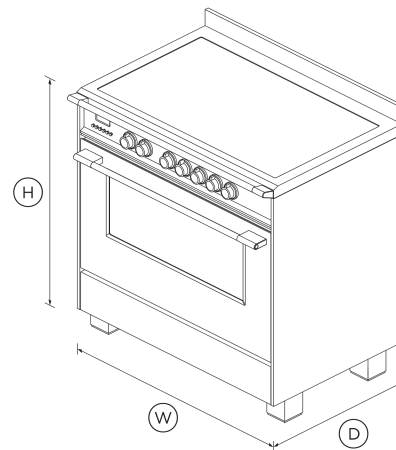
Heritage styling with contemporary performance in the large convection oven and induction cooktop, with SmartZone capability.

- Five cooking zones, with the ability to pair zones to create SmartZones
- Convection oven with 140L total capacity and nine oven functions including Pastry Bake with pizza mode and rapid proof for making bread

- Non-tip full-extension shelves for safe removal of hot dishes

DIMENSIONS

Height	898 - 946 mm
Width	897 mm
Depth	600 mm



FEATURES & BENEFITS

Multi-Shelf Cooking

Our AeroTech™ system circulates air evenly throughout the entire oven so dishes on the top shelf turn out just as perfectly as food cooking on the bottom shelf.

Quality And Durability

Every detail has been carefully crafted. The solid, perfectly balanced soft-close door, durable cooktop and glowing halo dials all add up to an exceptional, premium range.

Power & Control

Instant and immediate control from the highest to the gentlest heat. The finely tuned cooktop controls let you sear, stir fry or simmer a delicate sauce to perfection.

Even Heat

Accurate, electronically-controlled oven heat ensures a great result every time.

Large Capacity Oven

The generous 140L total capacity oven gives you plenty of space to cook multiple dishes at once.

Large, Flexible Cooking Area

SmartZone links two cooking zones and controls them as one, giving you the flexibility to use large pans and griddles and easily handle bigger food items such as a whole fish.

SPECIFICATIONS

Accessories (included)

Chromed shelf runners	1 set
Flat wire shelf	1
Full extension sliding shelves	1 set (part 578744)
Full extension telescopic shelves	1 set (part 578744)
Grill rack	true
Roasting dish	1
Step down wire shelf	•

Accessories (sold separately)

Kick strip, white (optional)	KICKOR90W1	Installation cutout dimensions (Depth)	600 mm	Oven performance	
		Installation cutout dimensions (Width)	900 mm	CoolTouch door	Triple glazed
Capacity		Oven features		Power requirements	
Shelf positions (main oven)	6	AeroTech™ technology	•	Amperage	67 A
Total capacity	140 L	Automatic rapid pre-heat	•	Supply frequency	50 Hz
Usable capacity (main oven)	121 L	Bright chromed, cast zinc dials with illuminated halos	•	Supply voltage	220 - 240 V
Cleaning		Electronic oven control	•	Product details	
Acid resistant graphite enamel	•	Full extension telescopic sliding shelves	•	Self Cleaning Sf	Yes
Drop down grill element	•	Internal light	4 x 25W halogen (2 side & 2 top)	Product dimensions	
Flat easy clean glass surface	•	Soft open/close door	•	Depth	600 mm
Removable oven door	•	Storage drawer	•	Height	898 - 946 mm
Removable oven door inner glass	•	True convection	•	Width	897 mm
Removable shelf runners	•	Twin cavity fans	•	Rangetop features	
Controls		Oven functions		Auto heat reduce	•
Audio feedback	•	Bake	•	Dual colour display	•
Automatic cooking/minute timer	•	Classic bake	•	Gentle heat	•
Automatic pre-set temperatures	•	Fan bake	•	Heat settings	9
Celsius/Fahrenheit temperature	•	Fan forced	•	Hob rail	•
Electronic clock	•	fanGrill	•	Hob rear trim	60 mm
Laser etched graphics	•	Grill	•	Induction cooking technology	•
Precise electronic temperature control	•	Number of functions	9	SmartZone	1
Sabbath mode	•	Pastry Bake with Pizza mode	•	Zone bridging	•
Toughened fused glass graphics	•	Rapid proof	•		
Turned stainless steel clock buttons	•	Roast	•		
Installation Dimensions		True convection	•		

Rangetop Performance

Centre	2300 W
PowerBoost	•

Safety

Advanced cooling system	•
Anti-tilt bracket	•
Balanced oven door	•
Child lock	•
CoolTouch door	•
Full extension telescopic sliding shelves	•
Non-tip shelves	•
Pan detection system	•
Safety time out	•
Spill containment	12 L
Spillage auto off	•
Surface hot indicators	•

Warranty

Parts and labour	2 years
------------------	----------------

SKU	81686
-----	-------

Other product downloads available at fisherpaykel.com

- [↓ Service & Warranty](#)
- [↓ Installation Guide Freestanding Cooker](#)
- [↓ Installation Guide - Kick Strip](#)
- [↓ Revit Induction Cooker](#)
- [↓ Rhino Induction Cooker](#)
- [↓ SketchUp Induction Cooker](#)
- [↓ User Guide Freestanding Cooker](#)
- [↓ User Guide](#)

Where applicable:

All appliances use energy, and energy usage typically generates carbon emissions. **Fisher & Paykel Appliances' In-use Energy Carbon Emissions Estimate** indicates carbon emissions from a product's in-use energy. This is calculated either annually or per cycle, using the product's market-specific energy label energy consumption data multiplied by the carbon emissions factor for energy in your country or region.

Our In-use Energy Carbon Emissions Estimate is designed to assist customers in making informed purchasing decisions when comparing different Fisher & Paykel products. For example, a heat pump dryer typically has a lower In-use Energy Carbon Emissions Estimate than a vented dryer.



A PEACE OF MIND SALE
24 Hours 7 Days a Week Customer Support
 T 1300 650 590 W www.fisherpaykel.com

The product dimensions and specifications in this page apply to the specific product and model. Under our policy of continuous improvement, these dimensions and specifications may change at any time. You should therefore check with Fisher & Paykel's Customer Care Centre to ensure this page correctly describes the model currently available. © Fisher & Paykel Appliances Ltd 2020