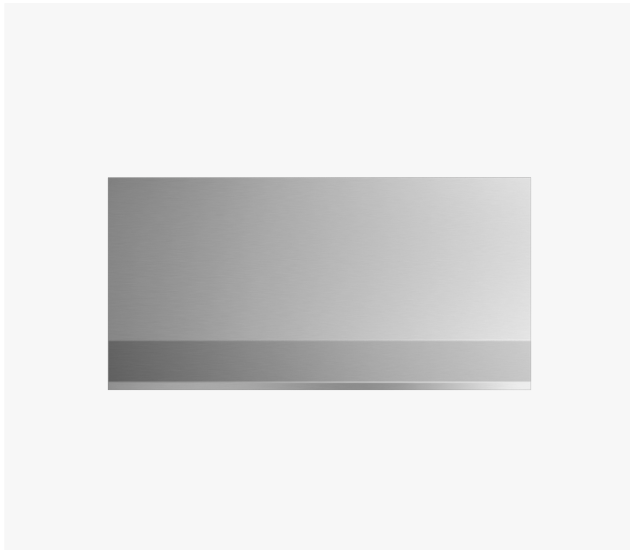


# 36" Series 9 Wall Range Hood

Series 9 | Professional

Stainless Steel

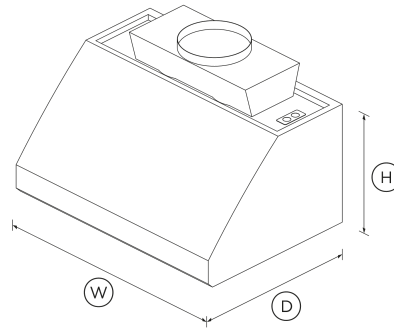


Striking design that pairs well with any appliances in our Professional range. With powerful extraction of steam and odors.

- With four fan speeds, select the perfect extraction rate for your cooking
- Dishwasher-safe filters that are easy to remove and clean
- Powerful 1200CFM maximum airflow

## DIMENSIONS

Height	18 "
Width	35 7/8 "
Depth	25 1/16 "



## FEATURES & BENEFITS

### Simple Design

The new stainless steel range hood is tough and hardworking with a style and simplicity to fit seamlessly into your kitchen.

### Edge To Edge Filters

We've improved our filters to capture and extract more cooking steam, odors and grease.

### Precise Control

The Professional Range Hood has been designed to give you better control with sturdy stainless steel dials to set your desired fan speed and light level.

### Effective Extraction

Our Range Hood filters have been improved to capture more cooking steam, odors and grease. They're easy to remove and clean - simply put them in your DishDrawer™ dishwasher.

### Heat Lamp

Accessorize your kitchen and cook like a pro by adding our contemporary heat lamps to your 36" or 48" range hood.

### Your Kitchen, Your Style

Enhance your culinary experience in the kitchen with our Range Hood accessories from heat lamps through to duct covers. Choose a range hood to fit your kitchen - there are three different sizes. For the 36" models, your range hood can come with one or two blowers to give you up to 1200CFM of extraction airflow.

## SPECIFICATIONS

### Accessories (sold separately)

12" Vertical duct cover	HCC3612
6" Vertical duct cover	HCC3606
Infrared warming lights	HIR36
Light bulb	104176P

### Installation and cleaning

Air outlet size	2 x 8" "
Dishwasher safe filters	2
Ducted	Top extraction
Metal transition to ductwork	Optional - Transition HTRN10
Recirculation	Ducted only

**Performance**

Extraction type	<b>Surface</b>
Fan speeds	<b>4</b>
Filter type	<b>Stainless Steel Baffle</b>

**Power requirements**

Lighting power	<b>50 W</b>
Motor power	<b>910 W</b>
Supply voltage	<b>120 V</b>
Total Power	<b>1010 W</b>

**Product dimensions**

Depth	<b>25 1/16 "</b>
Height	<b>18 "</b>
Width	<b>35 7/8 "</b>

**Product information**

Control type	<b>Rotary switch</b>
--------------	----------------------

**Ventilation features**

Dimmable lights	<b>.</b>
Light type	<b>Halogen</b>

SKU	<b>50104</b>
-----	--------------

The product dimensions and specifications in this page apply to the specific product and model. Under our policy of continuous improvement, these dimensions and specifications may change at any time. You should therefore check with Fisher & Paykel's Customer Care Centre to ensure this page correctly describes the model currently available. © Fisher & Paykel Appliances Ltd 2020

**Other product downloads available at fisherpaykel.com**

- [↓ Archicad Wall RangeHood](#)
- [↓ Archicad Wall RangeHood with 12inch Duct Cover](#)
- [↓ Archicad Wall RangeHood with 6inch Duct Cover](#)
- [↓ Service & Warranty](#)
- [↓ Revit Wall RangeHood](#)
- [↓ Rhino Wall RangeHood](#)
- [↓ Rhino Wall RangeHood with Duct Cover Transition](#)
- [↓ Sketchup Wall RangeHood](#)
- [↓ Sketchup Wall RangeHood with Duct Cover Transition](#)
- [↓ Installation & User Guide EN / Guide d'installation et guide d'utilisation FR](#)

**Where applicable:**

All appliances use energy, and energy usage typically generates carbon emissions. **Fisher & Paykel Appliances' In-use Energy Carbon Emissions Estimate** indicates carbon emissions from a product's in-use energy. This is calculated either annually or per cycle, using the product's market-specific energy label energy consumption data multiplied by the carbon emissions factor for energy in your country or region.

Our In-use Energy Carbon Emissions Estimate is designed to assist customers in making informed purchasing decisions when comparing different Fisher & Paykel products. For example, a heat pump dryer typically has a lower In-use Energy Carbon Emissions Estimate than a vented dryer.



**A PEACE OF MIND SALE**  
**24 Hours 7 Days a Week Customer Support**  
 T 1.888.936.7872 W [www.fisherpaykel.com](http://www.fisherpaykel.com)