

Freestanding Cooker, Induction, 90cm, 5 Zones with SmartZone

Series 7 | Classic

Black



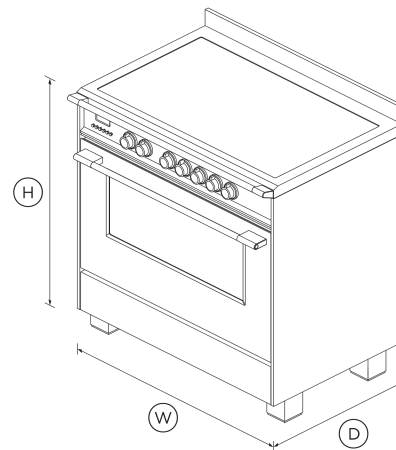
Heritage styling with contemporary performance in the large convection oven and induction cooktop, with SmartZone capability.

- Five cooking zones, with the ability to pair zones to create SmartZones
- Convection oven with 140L total capacity and nine oven functions including Pastry Bake with pizza mode and rapid proof for making bread

- Non-tip full-extension shelves for safe removal of hot dishes

DIMENSIONS

Height	898-946 mm
Width	897 mm
Depth	600 mm



FEATURES & BENEFITS

Multi-Shelf Cooking

Our AeroTech™ system circulates air evenly throughout the entire oven so dishes on the top shelf turn out just as perfectly as food cooking on the bottom shelf.

Quality And Durability

Every detail has been carefully crafted. The solid, perfectly balanced soft-close door, durable cooktop and glowing halo dials all add up to an exceptional, premium range.

Power & Control

Instant and immediate control from the highest to the gentlest heat. The finely tuned cooktop controls let you sear, stir fry or simmer a delicate sauce to perfection.

Even Heat

Accurate, electronically-controlled oven heat ensures a great result every time.

Large Capacity Oven

The generous 140L total capacity oven gives you plenty of space to cook multiple dishes at once.

Large, Flexible Cooking Area

SmartZone links two cooking zones and controls them as one, giving you the flexibility to use large pans and griddles and easily handle bigger food items such as a whole fish.

SPECIFICATIONS

Accessories (included)

Chromed shelf runners	1 set
Flat wire shelf	1
Full extension sliding shelves	1 set (part 578744)
Full extension telescopic shelves	1 set (part 578744)
Grill rack	true
Roasting dish	1
Step down wire shelf	•

Accessories (sold separately)

Kick strip, black (optional)	KICKOR90B1	Installation cutout dimensions (Depth)	600 mm	Oven performance	
		Installation cutout dimensions (Width)	900 mm	CoolTouch door	Triple glazed
Capacity		Oven features		Power requirements	
Shelf positions (main oven)	6	AeroTech™ technology	•	Amperage	67 A
Total capacity	140 L	Automatic rapid pre-heat	•	Supply frequency	50 Hz
Usable capacity (main oven)	121 L	Bright chromed, cast zinc dials with illuminated halos	•	Supply voltage	220-240 V
Cleaning		Electronic oven control	•	Product dimensions	
Acid resistant graphite enamel	•	Internal light	4 x 25W halogen (2 side & 2 top)	Depth	600 mm
Drop down grill element	•	Soft open/close door	•	Height	898-946 mm
Flat easy clean glass surface	•	Storage drawer	•	Width	897 mm
Removable oven door	•	True convection	•	Rangetop features	
Removable oven door inner glass	•	Twin cavity fans	•	Auto heat reduce	•
Removable shelf runners	•	Oven functions		Dual colour display	•
Controls		Bake	•	Gentle heat	•
Audio feedback	•	Classic bake	•	Heat settings	9
Automatic cooking/minute timer	•	Fan bake	•	Hob rail	•
Automatic pre-set temperatures	•	Fan forced	•	Hob rear trim	60 mm
Celsius/Fahrenheit temperature	•	fanGrill	•	Induction cooking technology	•
Electronic clock	•	Grill	•	SmartZone	1
Laser etched graphics	•	Number of functions	9	Zone bridging	•
Precise electronic temperature control	•	Pastry Bake with Pizza mode	•	Rangetop Performance	
Sabbath mode	•	Rapid proof	•	Centre	2300 W
Toughened fused glass graphics	•	Roast	•	PowerBoost	•
Turned stainless steel clock buttons	•	True convection	•		
Installation Dimensions					

Safety

- Advanced cooling system •
- Anti-tilt bracket •
- Balanced oven door •
- Child lock •
- CoolTouch door •
- Full extension telescopic sliding shelves •
- Non-tip shelves •
- Pan detection system •
- Safety time out •
- Spill containment **12 L**
- Spillage auto off •
- Surface hot indicators •

Warranty

Parts and labour **2 years**

SKU 81685

The product dimensions and specifications in this page apply to the specific product and model. Under our policy of continuous improvement, these dimensions and specifications may change at any time. You should therefore check with Fisher & Paykel's Customer Care Centre to ensure this page correctly describes the model currently available. © Fisher & Paykel Appliances Ltd 2020

Other product downloads available at fisherpaykel.com

[↓](#) Service & Warranty

- [↓](#) Installation Guide Freestanding Cooker
- [↓](#) Installation Guide - Kick Strip
- [↓](#) Revit Freestanding Cooker
- [↓](#) Rhino Freestanding Cooker
- [↓](#) Sketchup Freestanding Cooker
- [↓](#) User Guide Freestanding Cooker
- [↓](#) User Guide

Where applicable:

All appliances use energy, and energy usage typically generates carbon emissions. **Fisher & Paykel Appliances' In-use Energy Carbon Emissions Estimate** indicates carbon emissions from a product's in-use energy. This is calculated either annually or per cycle, using the product's market-specific energy label energy consumption data multiplied by the carbon emissions factor for energy in your country or region.

Our In-use Energy Carbon Emissions Estimate is designed to assist customers in making informed purchasing decisions when comparing different Fisher & Paykel products. For example, a heat pump dryer typically has a lower In-use Energy Carbon Emissions Estimate than a vented dryer.



A PEACE OF MIND SALE
24 Hours 7 Days a Week Customer Support
 T 1300 650 590 W www.fisherpaykel.com