

WINE CABINET & BEVERAGE CENTER

PLANNING GUIDE

INTEGRATED WINE CABINET - RS2435V2RT1 | RS2435V2R1

INTEGRATED BEVERAGE CENTRE - RS2435SBLT1 | RS2435SBL1

FISHER & PAYKEL

This comprehensive Planning Guide provides you with the framework and tools to achieve your desired design outcome with Fisher & Paykel appliances. In this guide, you will find a range of conceptual, detailed, and dimensional product information to bring your ideas to life and create spaces that truly reflect your vision.

CONTENTS

CONCEPT DESIGN	PAGE	DEVELOPED AND DETAILED DESIGN	PAGE	DEVELOPED AND DETAILED DESIGN	PAGE
Design Choices		Data Sheets		Handle Data Sheets	
Wine Cabinet & Beverage Center	4	Wine Cabinet + Stainless Steel Door	12	Professional Handle	26
Specification Guide		Wine Cabinet + Custom Door Panel	13	Fine Aluminium Handle	27
Integrated Wine Cabinet	6	Beverage Center + Stainless Steel Door	14	Fine Round Handle	28
Integrated Beverage Center	8	Beverage Center + Custom Door Panel	15	Classic Handle	29
Multiple Installation	10	Design Information Planning			
		Hinge Articulation	17		
		Door Opening Clearance	18		
		Custom Panel Preparation - Solid	20		
		Custom Panel Preparation - Window	21		
		Custom Panel Door Panel Options	22		
		Services			
		Power and water connections	24		

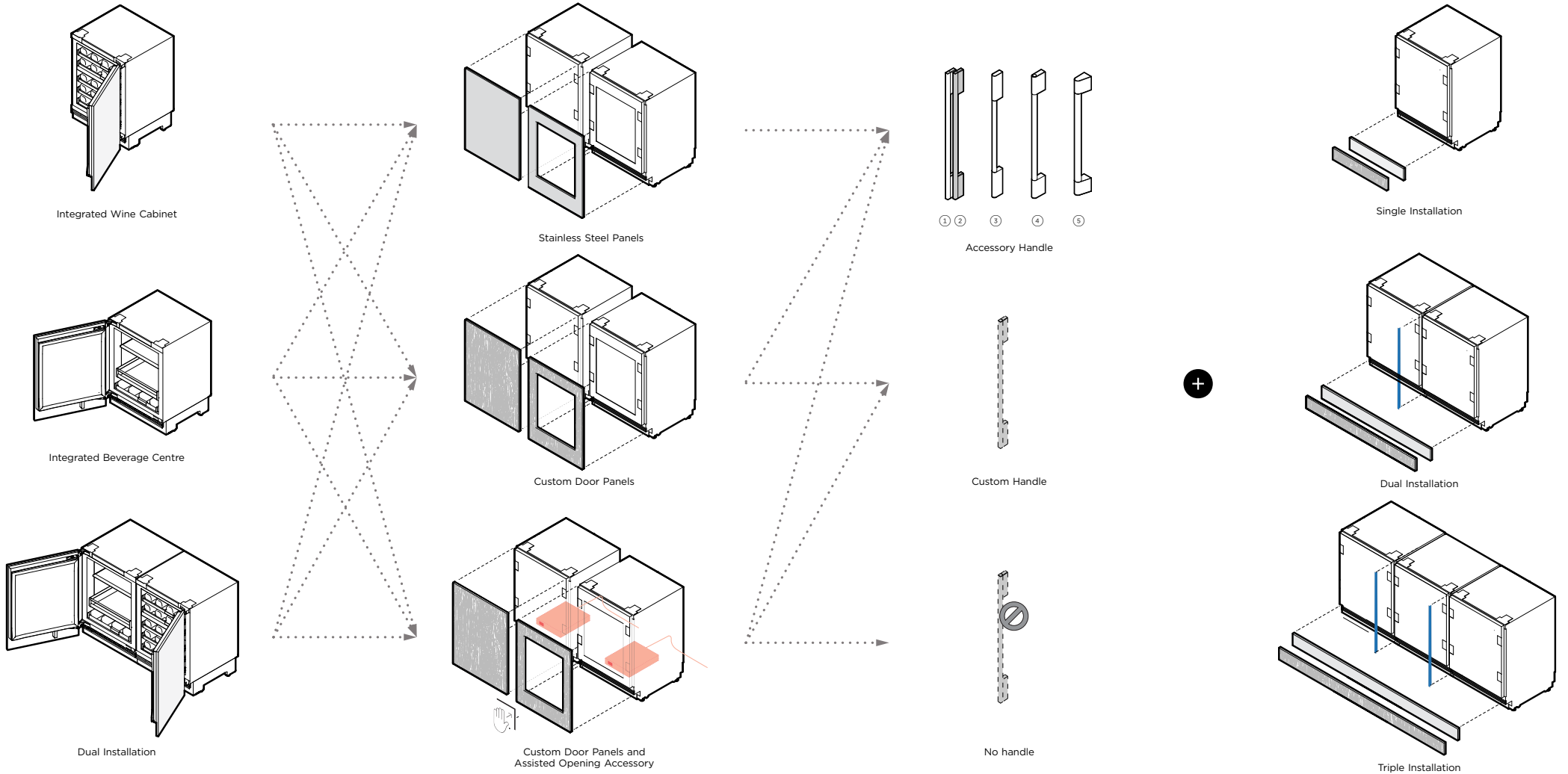
SUPPORT

For additional design planning and installation support please contact the Fisher & Paykel design support team.

designsupport@fisherpaykel.com

DESIGN CHOICES

DESIGN CHOICES | WINE CABINET & BEVERAGE CENTER



MODELS	
Left Hinge	Right Hinge
Integrated Wine Cabinet - Glass door	RS2435V2RT1
Integrated Wine Cabinet - Solid door	RS2435V2R1
Integrated Beverage Center - Glass door	RS2435SBLT1
Integrated Beverage Center - Solid door	RS2435SBL1

DOOR PANELS		
	Left Hinge	Right Hinge
Solid Stainless Steel Door Panel	RD2435L	RD2435R
Glass Stainless Steel Door Panel	RD2435VL	RD2435VR
Assisted Opening Accessory	OPIN1	

HANDLES	
① Fine Aluminium Handle	AHD5RD35
② Fine Black Aluminium Handle	AHD5RD35B
③ Fine Round Handle	AH5RD35
④ Classic Handle	AHCLRD35
⑤ Professional Handle	AHP3RD35

STAINLESS STEEL TOE KICK AND JOINER KIT		
	Toe Kick	Joiner Kit
Single Installation	AKRS2304	Not required
Dual Installation	AKRS4704	AJRS35LR (1x)
Triple Installation	AKRS7104	AJRS35LR (2x)

Note: All models can achieve opposite hinge location using the supplied parts

Note: Custom Door Panels to be manufactured and fitted by cabinet maker

Note: Custom handles to be fitted by cabinet maker

Note: Custom Toe Kick to be manufactured and fitted by cabinet maker

SPECIFICATION GUIDE



RS2435V2R1 – Solid door with Custom Panel



RS2435V2RT1 – Glass door with Custom Panel

OVERVIEW

Designed for wine lovers, this under-counter wine cabinet seamlessly fits in any space of the evolving home. Boasting premium oak slide-out shelves and a UV-tempered glass door, it elegantly showcases up to 35 bottles. Featuring dual temperature zones and specialised modes for Red, White, Sparkling, and Cellar wines, this versatile cabinet provides the perfect environment for all wine varieties.

FEATURES

- ① Integrates into any setting within the home, from the bar to the master suite – the choices are endless
- ② Four specialised wine modes for Red, White, Sparkling, and Cellar wines
- ③ Designed to fit flush, with 3/16" gaps and no visible hinges or grilles
- ④ Premium oak slide-out shelves for convenient access and storage
- ⑤ Accommodates up to 35 bottles, providing ample space for a diverse collection
- ⑥ Features two independent temperature zones to cater for different wine varieties
- ⑦ UV-tempered glass door elegantly displays and protects wine
- ⑧ Intuitive interface for easy temperature control and mode selection
- ⑨ Internal LED lighting provides beautiful illumination, showcasing the collection
- ⑩ Wi-Fi enabled for remote temperature control from the SmartHQ™ app

PRODUCTS

RS2435V2RT1 Integrated Wine Cabinet

Glass Door, Panel Ready or Stainless Steel Panel, Right Hinge
(All models can achieve opposite hinge location using the supplied parts)

RS2435V2R1 Integrated Wine Cabinet

Solid Door, Panel Ready or Stainless Steel Panel, Right Hinge
(All models can achieve opposite hinge location using the supplied parts)



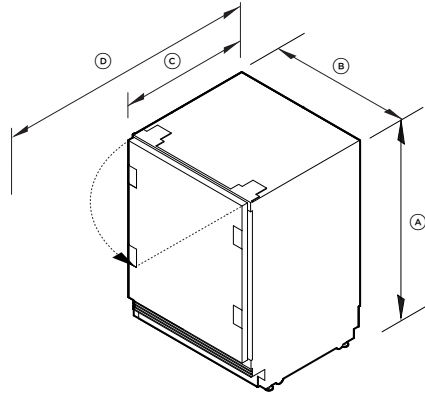
RS2435SBL1 & RS2435V2R1 Side by Side

The models shown in this Planning Guide may not be available in all markets and are subject to change at any time. Product specifications may vary from those shown. This Planning Guide should not be used as installation guidance for any product. Further information is required to safely and correctly install the products featured here. Specific installation guidance will be available soon on our website fisherpaykel.com

SPECIFICATIONS

Model No.	RS2435V2RT1, RS2435V2R1
Product Dimensions	H 34 - 35 7/16" W 23 5/16" D 22 13/16"
Electrical	
Supply	115 V, 60 Hz
Service	10 A

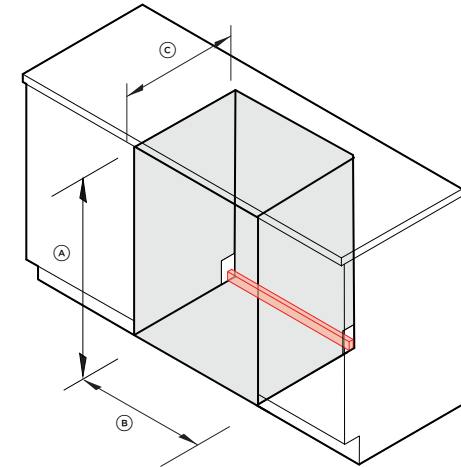
PRODUCT DIMENSIONS



	inch	mm
Ⓐ Overall height	34 - 35 7/16	864 - 900
Ⓑ Overall width	23 5/16	592
Ⓒ Overall depth*	22 13/16	579
Ⓓ Overall depth with the door open*	47 1/4	1200
Height from floor to bottom of door panel**	9/16 - 5 15/16	15 - 150
Depth of toe kick (excl. front door and toe kick panels)**	2 - 4	50 - 100
Splitline heights achievable (height from floor to top of door panel)	33 7/8 - 35 5/16	861 - 897

Maximum custom door panel thickness of 3/4" (19mm)
 *Excluding door panel and handle
 **Applies to custom door panels
 *** The grille becomes visible at heights over 100mm

CAVITY DIMENSIONS: STANDARD INSTALLATION



	inch	mm
Ⓐ Height	34 - 35 7/16	864 - 900
Ⓑ Minimum width	23 5/8	600
Ⓒ Minimum overall cavity depth with service to the side	23 5/8	600
Ⓓ Minimum overall cavity depth with service behind	25 9/16	650
Service area H 1 7/16" x W 23 5/8" x D 13/16"		

The models shown in this Planning Guide may not be available in all markets and are subject to change at any time. Product specifications may vary from those shown. This Planning Guide should not be used as installation guidance for any product. Further information is required to safely and correctly install the products featured here. Specific installation guidance will be available soon on our website fisherpaykel.com



RS2435SBL1 - Solid door with Custom Panel



RS2435SBLT1 - Glass door with Custom Panel

OVERVIEW

Experience the luxury of the Integrated Beverage Center. Seamlessly blending into any home setting, its adjustable shelves and full-depth wine shelf elegantly house your favourite beverages. With a UV-resistant glass door and soft LED lighting, this Beverage Center is a blend of style and functionality, offering optimal conditions for all drinks.

PRODUCTS

RS2435SBLT1 Integrated Beverage Center
Glass Door, Panel Ready or Stainless Steel Panel, Left Hinge
(All models can achieve opposite hinge location using the supplied parts)

RS2435SBL1 Integrated Beverage Center
Solid Door, Panel Ready or Stainless Steel Panel, Left Hinge
(All models can achieve opposite hinge location using the supplied parts)

FEATURES

- ① Integrates into any setting within the home, from the bar to the master suite – the choices are endless
- ② Designed to fit flush, with 3/16" gaps and no visible hinges or grilles
- ③ Adjustable temperature control helps to keep drinks at the ideal temperature
- ④ Customisable beverage shelf with adjustable gates ensures contents remain upright and neatly organised
- ⑤ Spacious 4.6 cu ft capacity, with full-depth wine shelf that can accommodate up to seven bottles
- ⑥ Wi-Fi enabled for remote temperature control from the SmartHQ™ app
- ⑦ Internal LED lighting provides beautiful illumination, showcasing the collection
- ⑧ UV-tempered glass door elegantly displays and protects beverages
- ⑨ Intuitive interface for easy temperature control and mode selection



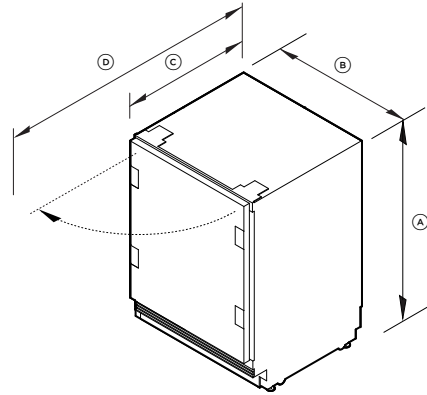
RS2435SBL1 & RS2435V2R1 Side by Side

The models shown in this Planning Guide may not be available in all markets and are subject to change at any time. Product specifications may vary from those shown. This Planning Guide should not be used as installation guidance for any product. Further information is required to safely and correctly install the products featured here. Specific installation guidance will be available soon on our website fisherpaykel.com

SPECIFICATIONS

Model No.	RS2435SBLT1, RS2435SBL1
Product Dimensions	H 34 - 35 7/16" W 23 5/16" D 22 13/16
Electrical	
Supply	115 V, 60 Hz
Service	10 A

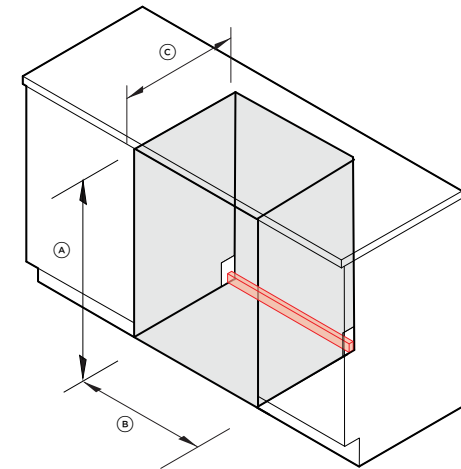
PRODUCT DIMENSIONS



	inch	mm
Ⓐ Overall height	34 - 35 7/16	864 - 900
Ⓑ Overall width	23 5/16	592
Ⓒ Overall depth*	22 13/16	579
Ⓓ Overall depth with the door open*	47 1/4	1200
Height from floor to bottom of door panel** ***	9/16 - 5 15/16	15 - 150
Depth of toe kick (excl. front door and toe kick panels)**	2 - 4	50 - 100
Splitline heights achievable (height from floor to top of door panel)	33 7/8 - 35 5/16	861 - 897

Maximum custom door panel thickness of 3/4" (19mm)
 *Excluding door panel and handle
 **Applies to custom door panels
 *** The grille becomes visible at heights over 100mm

CAVITY DIMENSIONS: STANDARD INSTALLATION



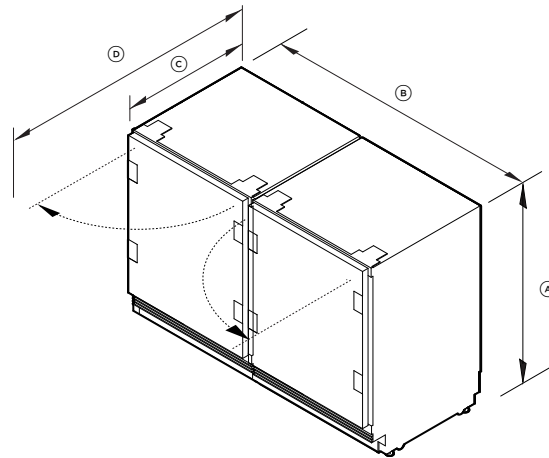
	inch	mm
Ⓐ Height	34 - 35 7/16	864 - 900
Ⓑ Minimum width	23 5/8	600
Ⓒ Minimum overall cavity depth with service to the side	23 5/8	600
Ⓓ Minimum overall cavity depth with service behind	25 9/16	650
Service area	H 1 7/16" x W 23 5/8" x D 13/16	

The models shown in this Planning Guide may not be available in all markets and are subject to change at any time. Product specifications may vary from those shown. This Planning Guide should not be used as installation guidance for any product. Further information is required to safely and correctly install the products featured here. Specific installation guidance will be available soon on our website fisherpaykel.com

SPECIFICATIONS

Model No.	RS2435V2RT1, RS2435V2R1, RS2435SBLT1, RS2435SBL1
Product Dimensions	H 34 - 35 7/16" W 23 5/16" D 22 13/16"
Electrical	
Supply	115 V, 60 Hz
Service	10 A

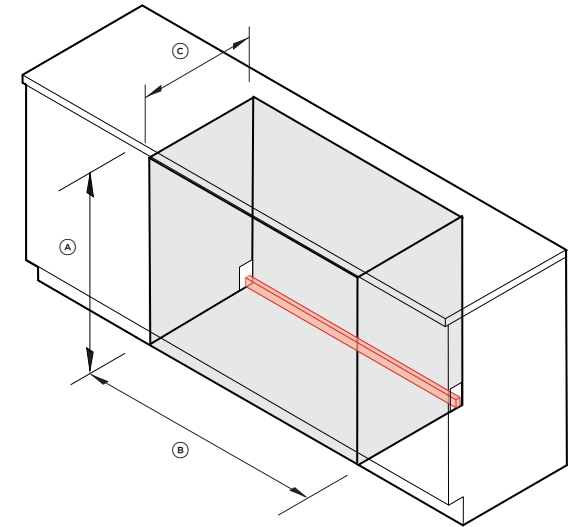
PRODUCT DIMENSIONS



	inch	mm
(A) Overall height	34 - 35 7/16	864 - 900
(B) Overall width - dual installation	46 7/8	1190
(C) Overall depth*	22 13/16	579
(D) Overall depth with the door open*	47 1/4	1200
Height from floor to bottom of door panel**	9/16 - 5 15/16	15-150
Depth of toe kick (excl. front door and toe kick panels)**	2 - 4	50 - 100
Splitline heights achievable (height from floor to top of door panel)	33 7/8 - 35 5/16	861 - 897

Maximum custom door panel thickness of 3/4" (19mm)
 *Excluding door panel and handle
 **Applies to custom door panels
 *** The grille becomes visible at heights over 100mm

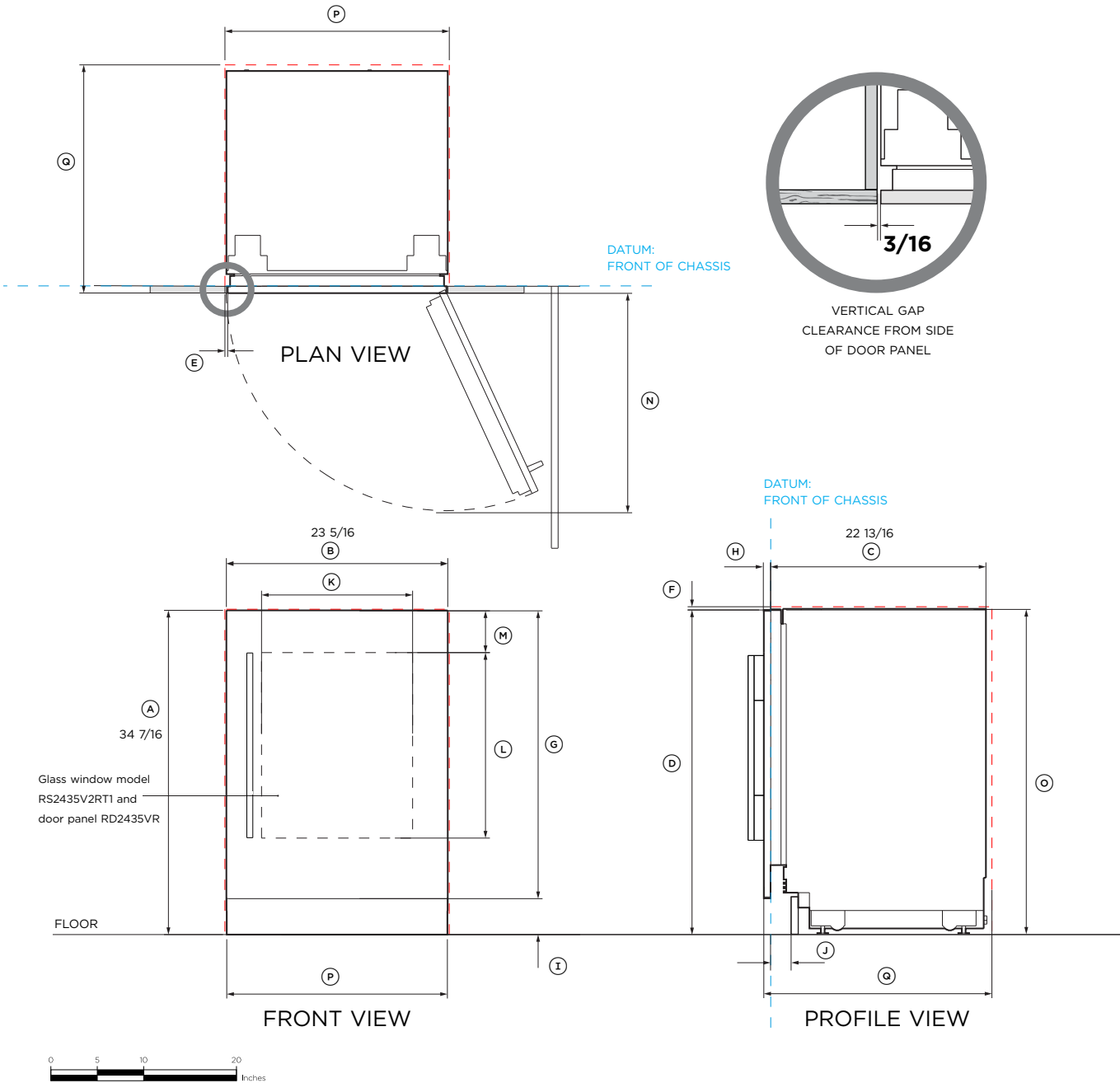
CAVITY DIMENSIONS: STANDARD INSTALLATION



	inch	mm
(A) Height	34 - 35 7/16	864 - 900
(B) Minimum width dual installation Minimum width triple installation	47 1/4 70 7/8	1200 1800
(C) Minimum overall cavity depth with service to the side	23 5/8	600
(D) Minimum overall cavity depth with service behind	25 9/16	650
Service area dual installation H 1 7/16" x W 47 1/4" x D 13/16"		
Service area triple installation H 1 7/16" x W 70 7/8" x D 13/16"		

The models shown in this Planning Guide may not be available in all markets and are subject to change at any time. Product specifications may vary from those shown. This Planning Guide should not be used as installation guidance for any product. Further information is required to safely and correctly install the products featured here. Specific installation guidance will be available soon on our website fisherpaykel.com

DATA SHEETS



PRODUCT & CAVITY DIMENSIONS
Integrated Wine Cabinets with Stainless Steel Door Panels

Model No:

- RS2435V2RT1 - Right hinge, Glass window**
- RS2435V2R1 - Right hinge, Solid door**

Shown with

- Stainless Steel Panel with Glass RD2435VR - RS2435V2RT1**
- Stainless Steel Panel Solid RD2435R - RS2435V2R1**

Handle Kit AHD5RD35(B)

Stainless Steel Toe Kick Panel AKRS2304

Note: All models can achieve opposite hinge location using the supplied parts.

Product Dimensions	Inch	mm
Ⓐ Overall height of product	34 7/16	874
Ⓑ Overall width of product	23 5/16	592
Ⓒ Overall depth of product (excl. front door panels)	22 13/16	579
Ⓓ Height from top of door panel to floor	34 5/16	871
Ⓔ Minimum cabinetry clearance from side of door panel	3/16	4
Ⓕ Minimum cabinetry clearance from top of door panel	1/8	3
Ⓖ Height of door panel	30 3/8	771
Ⓜ Depth of door panel	12/16	19
Ⓨ Height from floor to bottom door panel	4	100
Ⓣ Depth of toe kick (excl. front door and toe kick panels)	2-4	50-100
Ⓚ Width glass window	15 15/16	404
Ⓛ Height glass window	19 9/16	496
Ⓜ Top of door panel to top of cut-out/window	4 7/16	113
Ⓝ Depth of door (90° open, measured from front of cabinetry)	23 10/16	600

Cavity Dimensions	inch	mm
Ⓒ Overall height of cavity	34 7/16	874
Ⓓ Overall width of cavity	23 10/16	600
Ⓣ Minimum overall depth of cavity:		
When services are located outside of cavity (shallow)*	23 10/16	600
When services are located in the neighbouring cavities	24	610
When services are located at rear of cavity (deep)	25 10/16	650

*Multiple product installation cavity depth is 24" (610mm), this to allow space for the joiner kit bracket

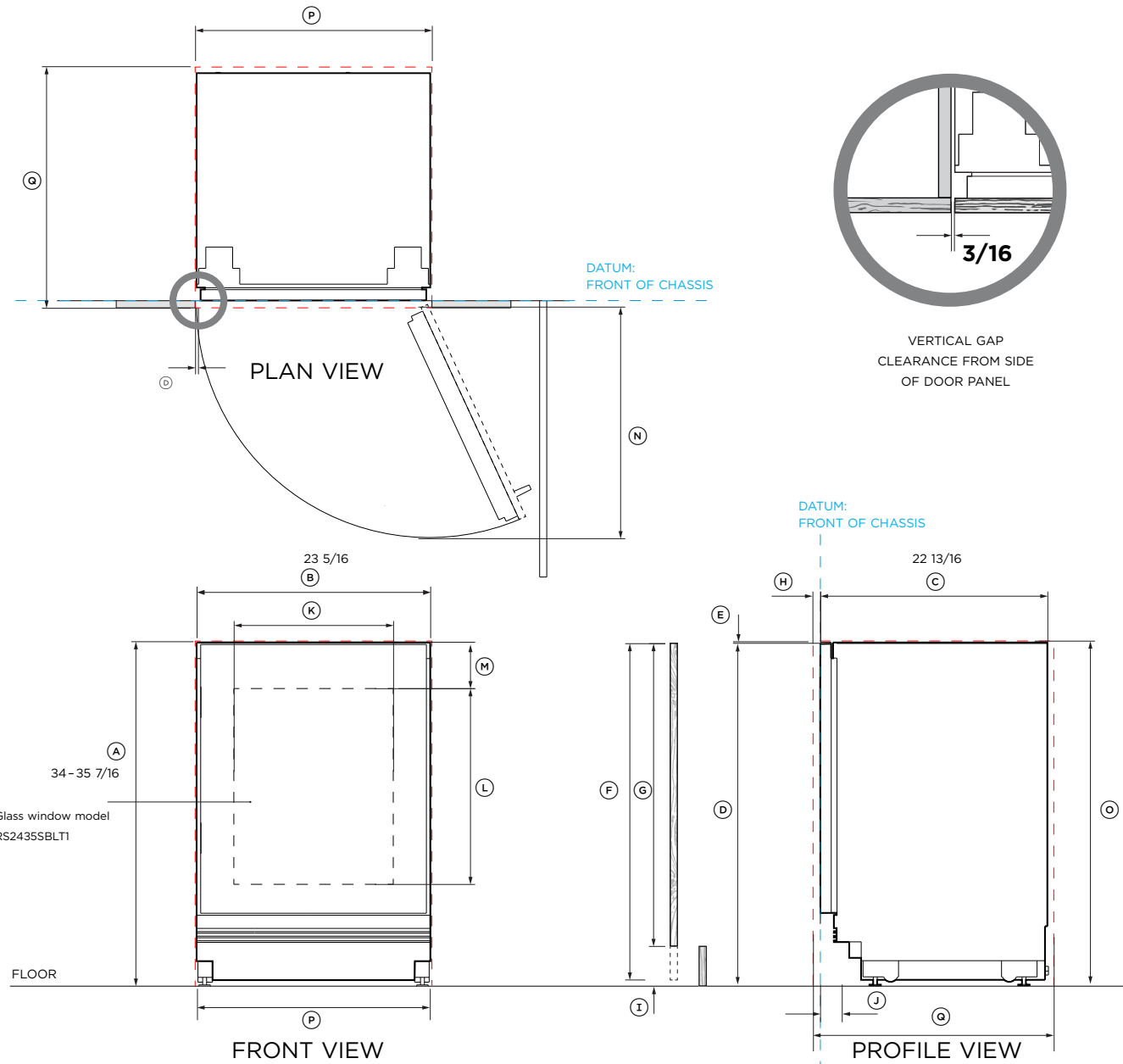
Notes:

Product shown installed on the floor. Slide into cabinetry position.

Alternatively can be installed on a plinth. Adjust your cavity height accordingly.

INDICATES PRODUCT DATUM -----
INDICATES CABINERY CLEARANCES -----

IMPORTANT NOTE: Throughout this guide, dimensions may vary by ±2mm (1/16"). Please read the Installation Guide for detailed information on installing the product. For full installation instructions visit fisherpaykel.com



PRODUCT & CAVITY DIMENSIONS
Integrated Wine Cabinets with Custom Door Panels

Model No:
RS2435V2RT1 - Right hinge
RS2435V2R1 - Right hinge

Note: All models can achieve opposite hinge location using the supplied parts.

Product Dimensions	Inch	mm
A Overall height of product	34-35 7/16	864-900
B Overall width of product	23 5/16	592
C Overall depth of product (excl. front door panels)	22 13/16	579
D Minimum cabinetry clearance from side of door panel	3/16	4
E Minimum cabinetry clearance from top of door panel	1/8	3
F Maximum height of custom door panel	34 12/16	882
G Minimum height of custom door panel	30	761
H Depth of custom door panel	5/8-3/4	16-19
I Height from floor to bottom of door panel	9/16-5 15/16	15-150
J Depth of toe kick (excl. front door and toe kick panels)	2-4	50-100
K Width of glass window	15 15/16	404
L Height of glass window	19 9/16	496
M Top edge of glass to top of custom door panel	4 7/16	113
N Depth of door (90° open, measured from front of cabinetry)	23 10/16	600

Cavity Dimensions	inch	mm
O Overall height of cavity	34-35 7/16	864-900
P Overall width of cavity	23 10/16	600
Q Minimum overall depth of cavity:		
When services are located outside of cavity (shallow)*	23 10/16	600
When services are located in the cabinet above the cavity	24	610
When services are located at rear of cavity (deep)	25 10/16	650

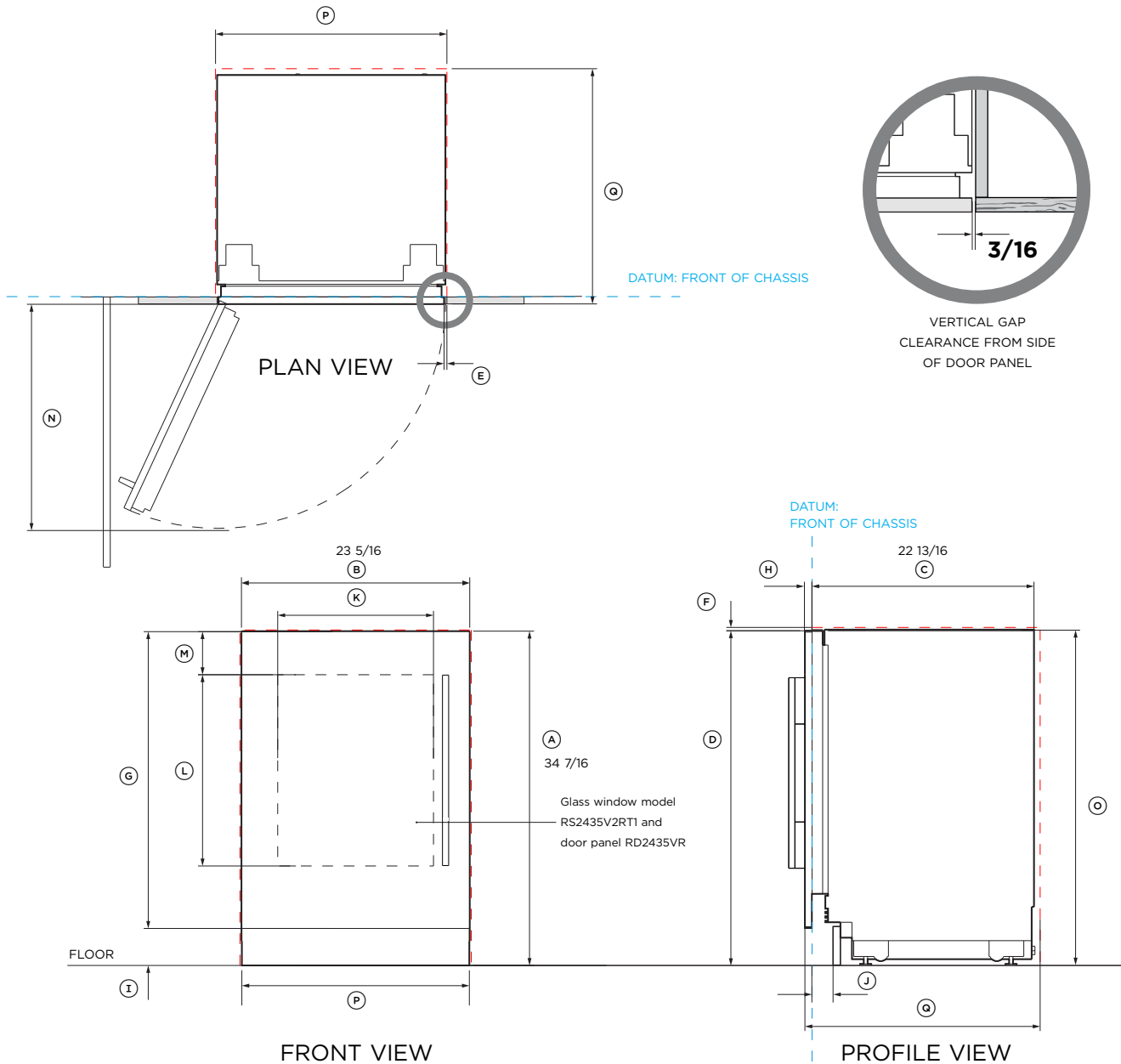
*Multiple product installation cavity depth is 24" (610mm), this to allow space for the joiner kit bracket

Notes:
Product shown installed on the floor. Slide into cabinetry position.
Alternatively can be installed on a plinth. Adjust your cavity height accordingly.

INDICATES PRODUCT DATUM -----
INDICATES CABINERY CLEARANCES - - - - -

IMPORTANT NOTE: Throughout this guide, dimensions may vary by ±2mm (1/16"). Please read the Installation Guide for detailed information on installing the product. For full installation instructions visit fisherpaykel.com





PRODUCT & CAVITY DIMENSIONS
Integrated Beverage Centers with Stainless Steel Door Panels

Model No:
RS2435BLT1 - Right hinge, Glass window
RS2435BL1 - Right hinge, Solid door

Shown with
Stainless Steel Panel with Glass RD2435VR - RS2435B2LT1
Stainless Steel Panel Solid RD2435R - RS2435B2L1

Handle Kit AHD5RD35(B)
Stainless Steel Toe Kick Panel AKRS2304

Note: All models can achieve opposite hinge location using the supplied parts.

Product Dimensions	Inch	mm
A Overall height of product	34 7/16	874
B Overall width of product	23 5/16	592
C Overall depth of product (excl. front door panels)	22 13/16	579
D Height from top of door panel to floor	34 5/16	871
E Minimum cabinetry clearance from side of door panel	3/16	4
F Minimum cabinetry clearance from top of door panel	1/8	3
G Height of door panel	30 3/8	771
H Depth of door panel	12/16	19
I Height from floor to bottom door panel	4	100
J Depth of toe kick (excl. front door and toe kick panels)	2-4	50-100
K Width of glass window	15 15/16	404
L Height of glass window	19 9/16	496
M Top of door panel to top of cut-out/window	4 7/16	113
N Depth of door (90° open, measured from front of cabinetry)	23 10/16	600

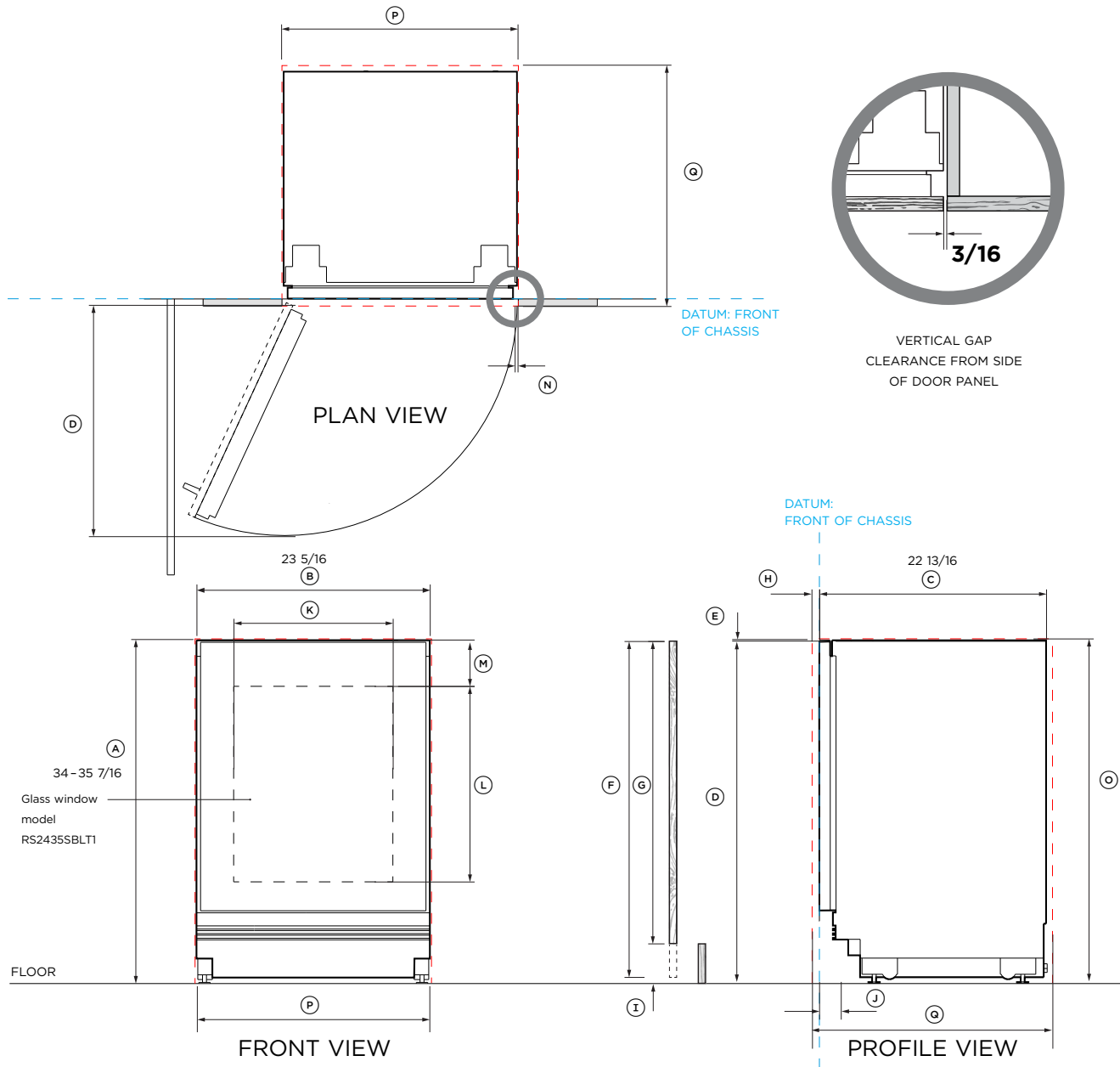
Cavity Dimensions	Inch	mm
O Overall height of cavity	34 7/16	874
P Overall width of cavity	23 10/16	600
Q Minimum overall depth of cavity:		
When services are located outside of cavity (shallow)*	23 10/16	600
When services are located in the neighbouring cavities	24	610
When services are located at rear of cavity (deep)	25 10/16	650

*Multiple product installation cavity depth is 24" (610mm), this to allow space for the joiner kit bracket

Notes:
 Product shown installed on the floor. Slide into cabinetry position.
 Alternatively can be installed on a plinth. Adjust your cavity height accordingly.

INDICATES PRODUCT DATUM -----
 INDICATES CABINERY CLEARANCES - - - - -

IMPORTANT NOTE: Throughout this guide, dimensions may vary by ±2mm (1/16"). Please read the Installation Guide for detailed information on installing the product. For full installation instructions visit fisherpaykel.com



PRODUCT & CAVITY DIMENSIONS
Integrated Beverage Centers with Custom Door Panels

Model No:
RS2435BLT1 - Right hinge
RS2435BL1 - Right hinge

Note: All models can achieve opposite hinge location using the supplied parts.

Product Dimensions	Inch	mm
A Overall height of product	34-35 7/16	864-900
B Overall width of product	23 5/16	592
C Overall depth of product (excl. front door panels)	22 13/16	579
D Minimum cabinetry clearance from side of door panel	3/16	4
E Minimum cabinetry clearance from top of door panel	1/8	3
F Maximum height of custom door panel	34 12/16	882
G Minimum height of custom door panel	30	761
H Depth of custom door panel	5/8-3/4	16-19
I Height from floor to bottom of door panel	9/16-5 15/16	15-150
J Depth of toe kick (excl. front door and toe kick panels)	2-4	50-100
K Width of glass window	15 15/16	404
L Height of glass window	19 9/16	496
M Top edge of glass to top of custom door panel	4 7/16	113
N Depth of door (90° open, measured from front of cabinetry)	23 10/16	600

Cavity Dimensions	inch	mm
O Overall height of cavity	34-35 7/16	864-900
P Overall width of cavity	23 10/16	600
Q Minimum overall depth of cavity:		
When services are located outside of cavity (shallow)*	23 10/16	600
When services are located in the cabinet above the cavity	24	610
When services are located at rear of cavity (deep)	25 10/16	650

*Multiple product installation cavity depth is 24" (610mm), this to allow space for the joiner kit bracket

Notes:

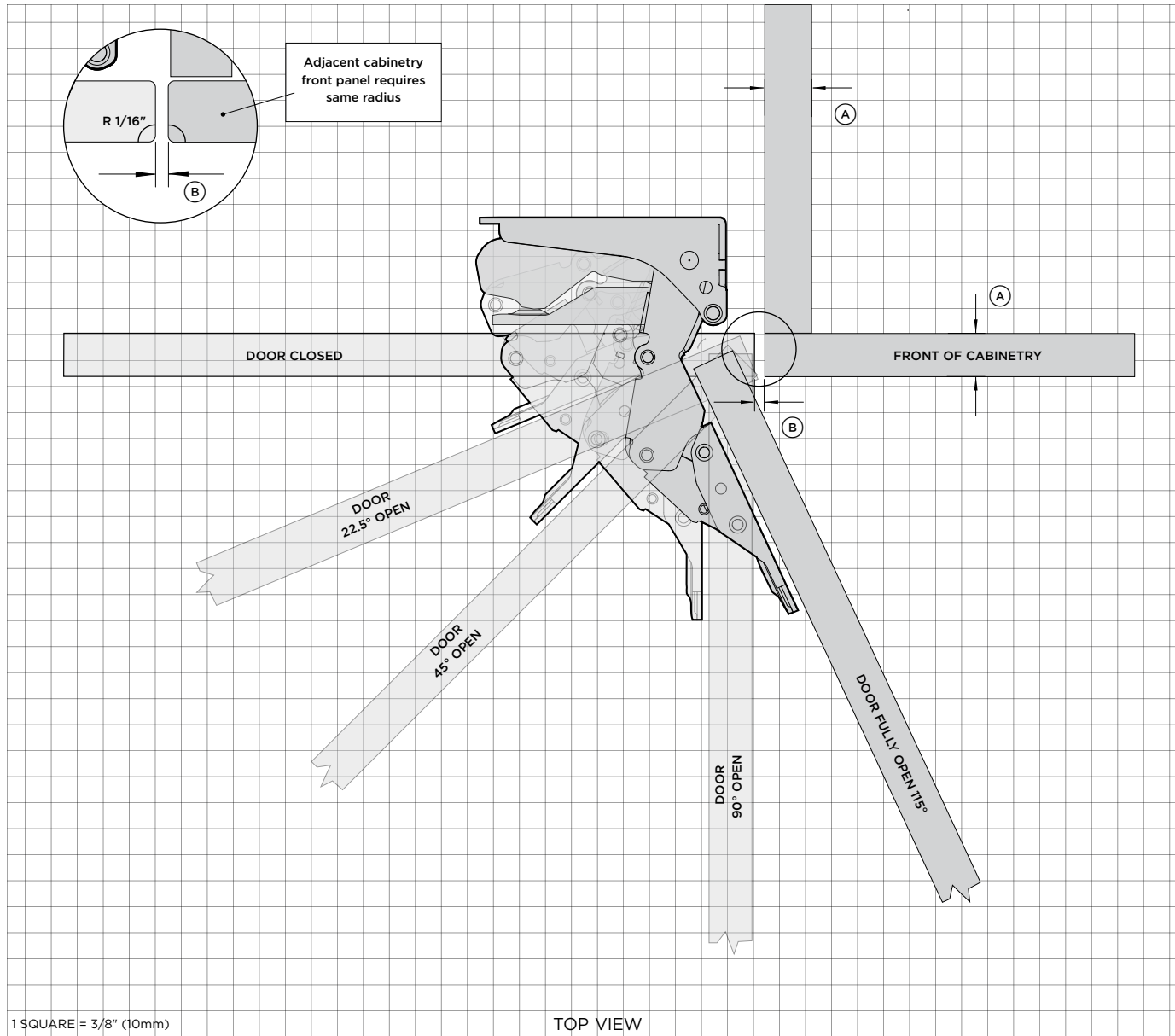
Product shown installed on the floor. Slide into cabinetry position. Alternatively can be installed on a plinth. Adjust your cavity height accordingly.

INDICATES PRODUCT DATUM -----
 INDICATES CABINERY CLEARANCES -----

IMPORTANT NOTE: Throughout this guide, dimensions may vary by ±2mm (1/16"). Please read the Installation Guide for detailed information on installing the product. For full installation instructions visit fisherpaykel.com



DESIGN INFORMATION PLANNING



DOOR HINGE - HETTICH K08

Left hand hinge models are a mirrored version of shown.

CUSTOM FRONT PANEL

(A) Front panel thickness: 5/8"-3/4" (16mm-19mm).

Drawing shown with 11/16" (18mm) panels.

(B) Gap between custom panel and adjacent cabinetry: Min 3/16" (4mm)

RADIUS REQUIREMENTS

Gap: Minimum 3/16" (4mm)

Panel thickness 5/8"-3/4" (16mm-19mm): Requires minimum R1/16" (R2mm)

Panel thickness 25/32" (20mm): Requires minimum R3/16" (R5mm)

Minimum radius prevents clashes with adjacent cabinetry. Panels thicker than 25/32" (20mm) need a larger gap and radius, which might expose internal components.

WEIGHT LIMIT

Custom solid door panel: Max 12.4lbs (5.6kg)

Custom window door panel: Max 8.2lbs (3.7kg)

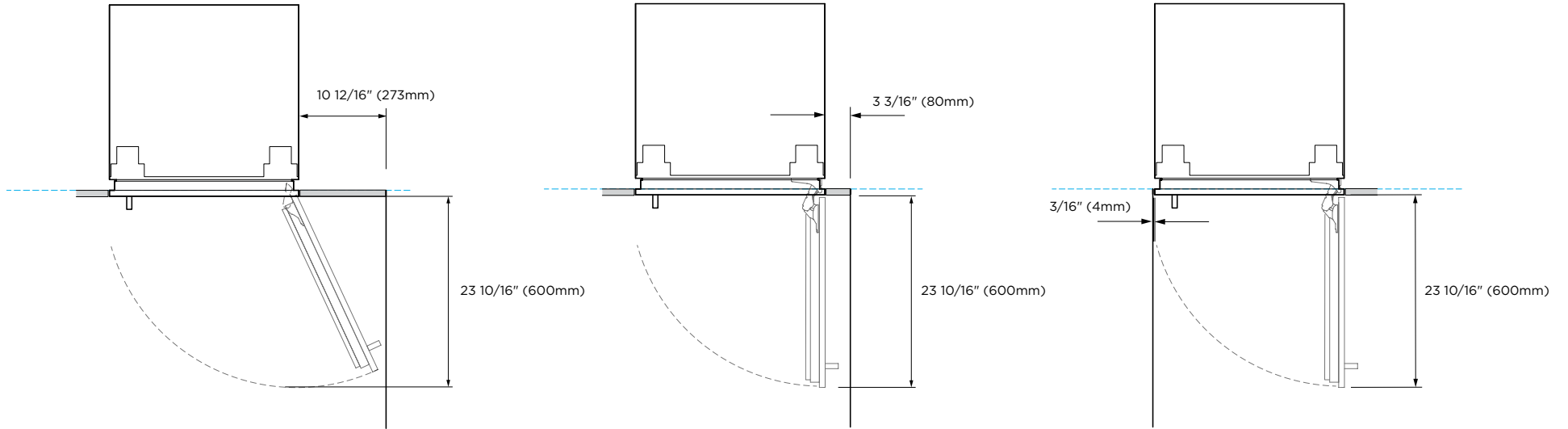
Note: Door weight's includes weight of handle.

SUPPORT

For additional design planning and installation support please contact the Fisher & Paykel design support team.

designsupport@fisherpaykel.com

The models shown in this Planning Guide may not be available in all markets and are subject to change at any time. Product specifications may vary from those shown. This Planning Guide should not be used as installation guidance for any product. Further information is required to safely and correctly install the products featured here. Specific installation guidance will be available soon on our website fisherpaykel.com



FULL INTERNAL ACCESS

115° door opening – full internal access

Minimum dimensions shown are for the contemporary handle kit AHD5RD35(B). Custom door panel and handle details need to be taken into account

REDUCED INTERNAL ACCESS

Use hinge limiting pin to restrict door opening to 90° where necessary

Minimum dimensions shown are for the contemporary handle kit AHD5RD35(B). Custom door panel and handle details need to be taken into account

REDUCED INTERNAL ACCESS

Use hinge limiting pin to restrict door opening to 90° where necessary

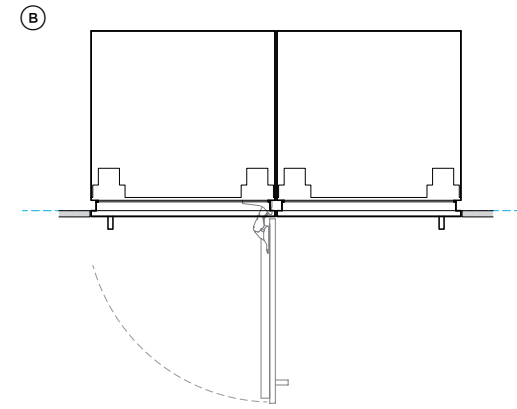
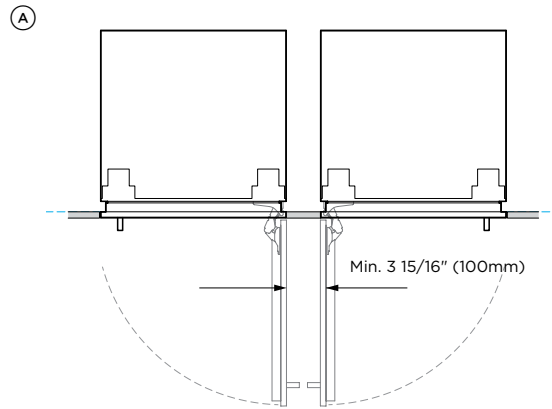
Minimum dimensions shown are for the contemporary handle kit AHD5RD35(B). Custom door panel and handle details need to be taken into account

The models shown in this Planning Guide may not be available in all markets and are subject to change at any time. Product specifications may vary from those shown. This Planning Guide should not be used as installation guidance for any product. Further information is required to safely and correctly install the products featured here. Specific installation guidance will be available soon on our website fisherpaykel.com

HINGE TO HINGE

- Ⓐ Both doors open at the same time - requires space between models
- Ⓑ Only allows a single door open at a time

Minimum dimensions shown are for the contemporary handle kit AHD5RD35(B). Custom door panel and handle details need to be taken into account



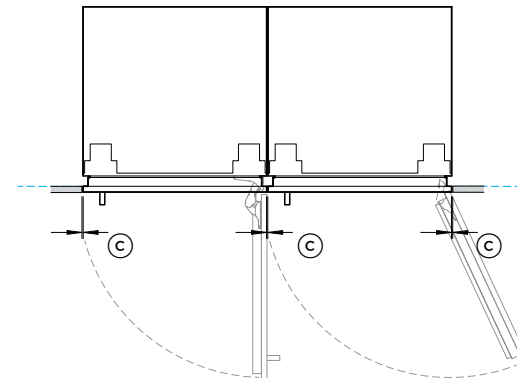
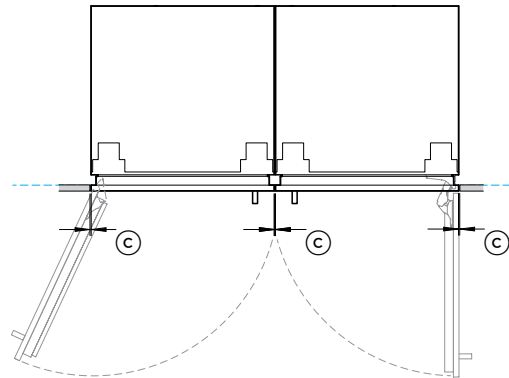
ADDITIONAL NOTES

Use hinge limiting pin to restrict door opening to 90° where necessary.

Minimum dimensions shown are for the contemporary handle kit AHD5RD35(B). Custom door panel and handle details need to be taken into account.

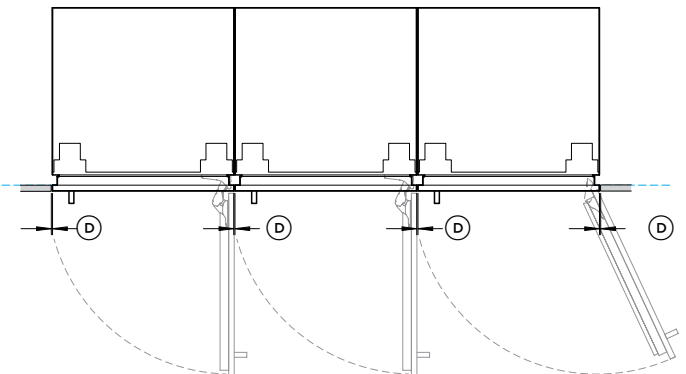
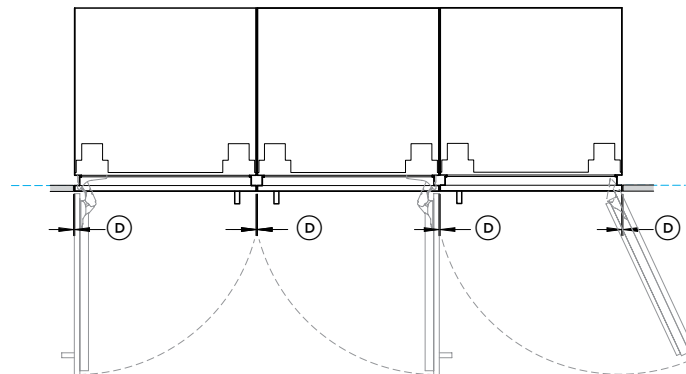
DUAL INSTALLATION

- Ⓒ Stainless steel door panels (gaps equalized during installation) - 3/16" (5mm)
- Ⓒ Custom door panels (width of custom door panel increased to maintain 4mm gap across multiple products) - 5/32" (4mm)

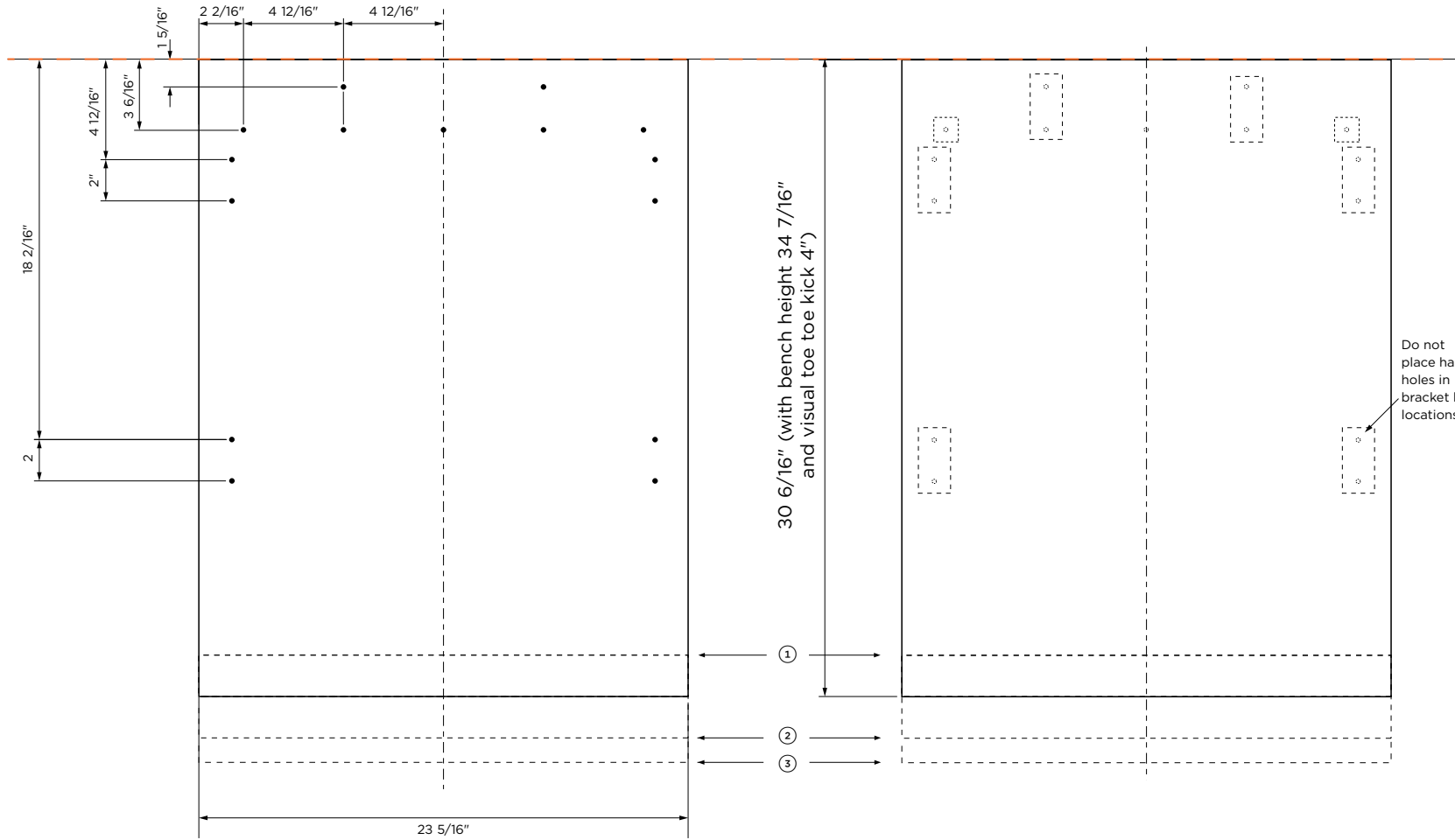


TRIPLE INSTALLATION

- Ⓒ Stainless steel door panels (gaps equalized during installation) - (6mm)
- Ⓒ Custom door panels (width of custom door panel increased to maintain 4mm gap across multiple products) - 5/32" (4mm)



The models shown in this Planning Guide may not be available in all markets and are subject to change at any time. Product specifications may vary from those shown. This Planning Guide should not be used as installation guidance for any product. Further information is required to safely and correctly install the products featured here. Specific installation guidance will be available soon on our website fisherpaykel.com



Model No:
RS2435V2R1
RS2435SBL1

VISUAL TOE KICK HEIGHT FROM FLOOR TO BOTTOM OF DOOR PANEL

- ① Visual toe kick height 5 15/16" (150mm) custom door panel 2" (50mm) shorter
- ② Visual toe kick height 2" (50mm) custom door panel 2" (50mm) longer
- ③ Visual toe kick height 5/8" (15mm) custom door panel 3 6/16 (85mm) mm longer

DATUM TOP OF CUSTOM DOOR PANEL

Allow 1/8" (3 mm) gap between the top of the custom door panel and the bench top

BACK OF CUSTOM DOOR PANEL BRACKET HOLE LOCATIONS

Ø 1/16" (2.5mm) pilot holes,
all holes 5/8" (15mm) deep
Do not penetrate front face

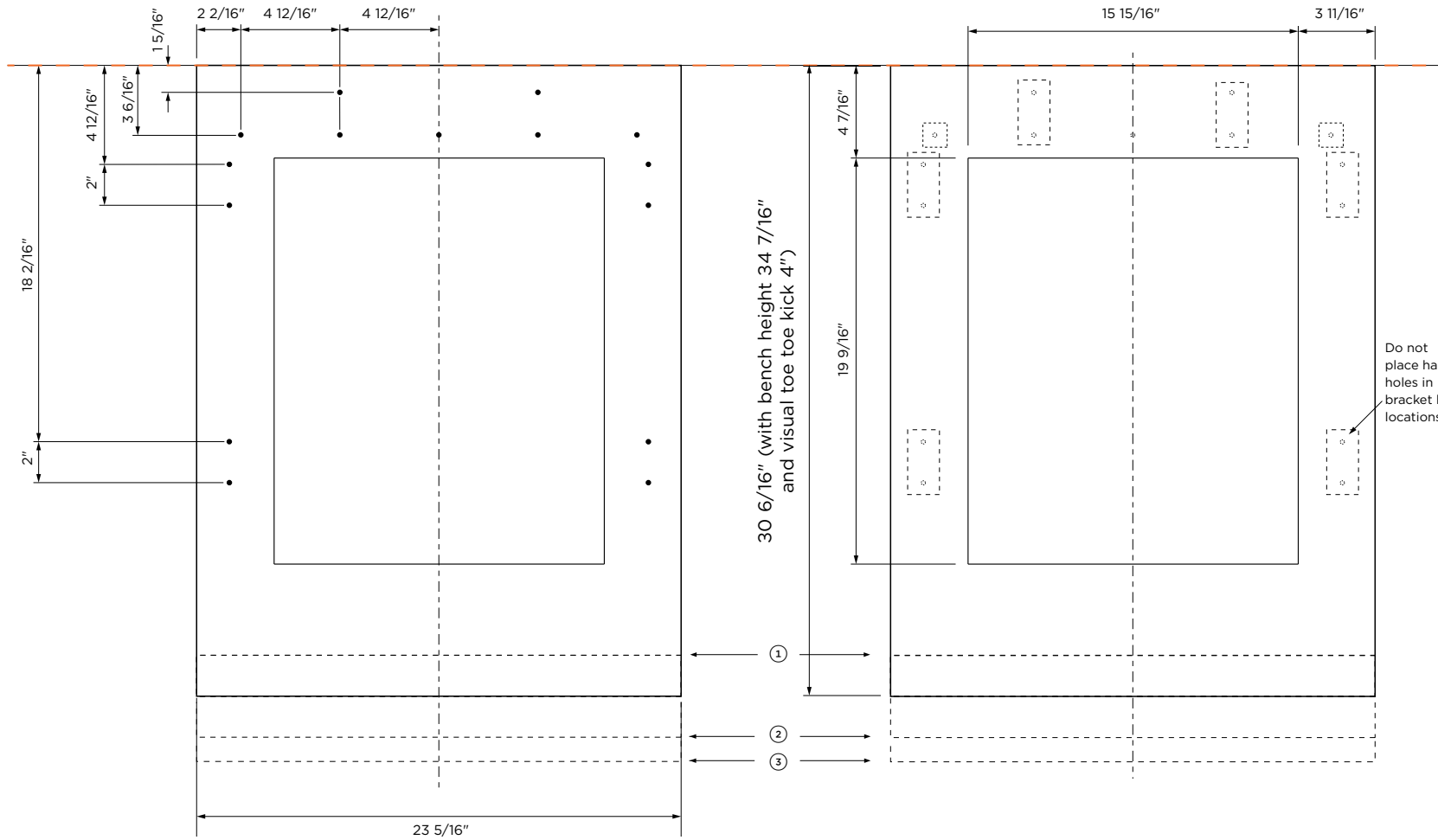
FRONT OF CUSTOM DOOR PANEL HANDLE HOLE LOCATIONS

All Fisher & Paykel handle holes Ø 4/16" (6mm).
Do not place handle holes in bracket hole locations.

CUSTOM PANEL WEIGHT

Maximum custom solid door panel weight is 12.4lbs (5.6kg)

The models shown in this Planning Guide may not be available in all markets and are subject to change at any time. Product specifications may vary from those shown. This Planning Guide should not be used as installation guidance for any product. Further information is required to safely and correctly install the products featured here. Specific installation guidance will be available soon on our website fisherpaykel.com



Model No:
**RS2435V2RT1
RS2435SBLT1**

VISUAL TOE KICK HEIGHT FROM FLOOR TO BOTTOM OF DOOR PANEL

- ① Visual toe kick height 5 15/16" (150mm) custom door panel 2" (50mm) shorter
- ② Visual toe kick height 2" (50mm) custom door panel 2" (50mm) longer
- ③ Visual toe kick height 5/8" (15mm) custom door panel 3 6/16 (85mm)

DATUM TOP OF CUSTOM DOOR PANEL

Allow 5/8" (3 mm) gap between the top of the custom door panel and the bench top

BACK OF CUSTOM DOOR PANEL BRACKET HOLE LOCATIONS

Ø 1/16" (2.5mm) pilot holes, all holes 5/8" (15mm) deep
Do not penetrate front face

FRONT OF CUSTOM DOOR PANEL HANDLE HOLE LOCATIONS

All Fisher & Paykel handle holes Ø 4/16" (6mm).
Do not place handle holes in bracket hole locations.

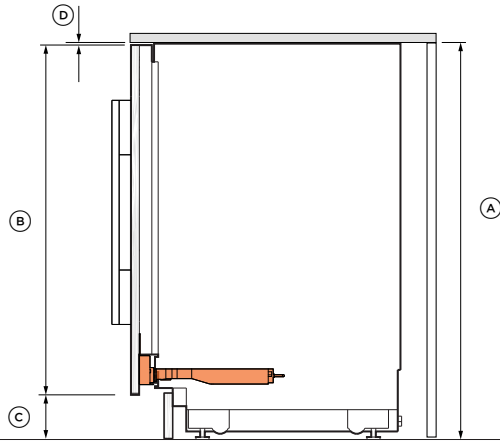
CUSTOM PANEL WEIGHT

Maximum custom window door panel weight is 8.2lbs (3.7kg)

The models shown in this Planning Guide may not be available in all markets and are subject to change at any time. Product specifications may vary from those shown. This Planning Guide should not be used as installation guidance for any product. Further information is required to safely and correctly install the products featured here. Specific installation guidance will be available soon on our website fisherpaykel.com

CUSTOM DOOR PANEL

Assisted Opening Accessories

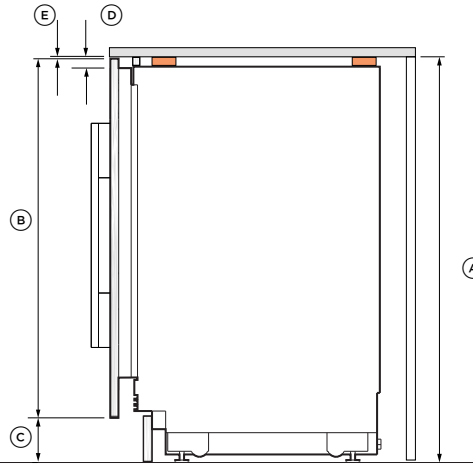


Product Dimensions	inch	mm
(A) Cavity height	34 - 35 7/16	864 - 900
(B) Maximum door panel height	34 12/16	882
Minimum door panel height	30	761
(C) Visual toe kick height	10/16 - 5 15/16	15 - 150
(D) Gap between door panel and bench top	2/16	3

Assisted Opening Accessories Planning Guide available soon

CUSTOM DOOR PANEL

Sub-structure
Multiple installation - ensuring benchtop support



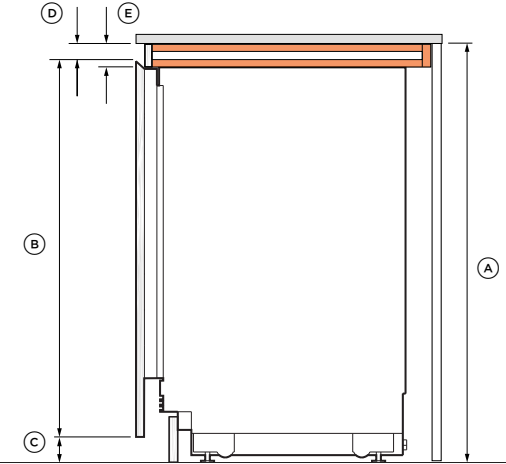
Product Dimensions	inch	mm
(A) Cavity height*	35 - 36 2/16	888 - 918
(B) Maximum door panel height*	35 7/16	900
Minimum door panel height*	30 15/16	785
(C) Visual toe kick height	10/16 - 5 15/16	15 - 150
(D) Common sub-structure height	12/16	18
(E) Gap between door panel and bench top	2/16	3

*With a 12/16" (18mm) sub-structure
**Adjust door panel template accordingly

Refer to 'Custom Panel Preparation' for Panel Templates

CUSTOM DOOR PANEL

Recessed handle

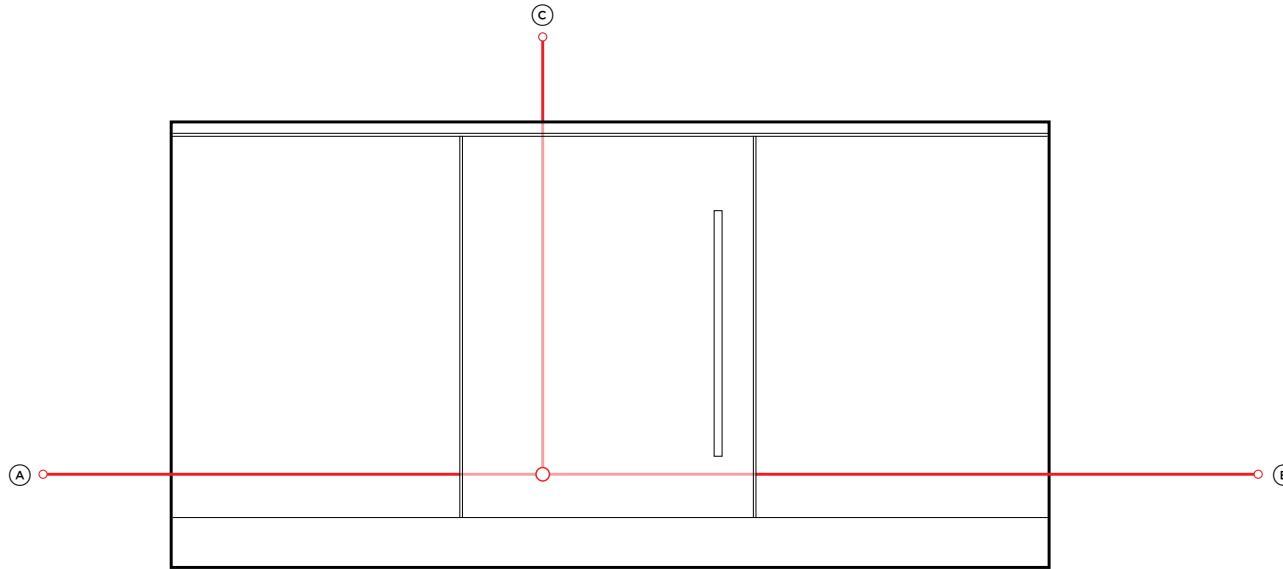


Product Dimensions	inch	mm
(A) Cavity height*	35 13/16 - 37 3/16	909 - 945
(B) Maximum door panel height* **	36 8/16	927
Minimum door panel height* **	32	812
(C) Visual toe kick height	10/16 - 5 15/16	15 - 150
(D) Clearance between top door and benchtop	1 6/16	35
(E) Sub-structure	1 13/16	45

Bench top overhang not recommended for recessed handle

The models shown in this Planning Guide may not be available in all markets and are subject to change at any time. Product specifications may vary from those shown. This Planning Guide should not be used as installation guidance for any product. Further information is required to safely and correctly install the products featured here. Specific installation guidance will be available soon on our website fisherpaykel.com

SERVICES



POWER AND WATER CONNECTIONS
Integrated Wine Cabinets &
Integrated Beverage Centres

Model No:
RS2435V2RT1, RS2435V2R1
Integrated Wine Cabinets
RS2435B2LT1, RS2435BL1
Integrated Beverage Centres

All models can achieve opposite hinge location using the supplied parts.
 Please refer to Installation Guide for details.

Electrical Specifications

Supply	115 V, 60 Hz
Service	10 A

NOTE: Recommended that services are routed to the adjacent cabinet.

Cord Lengths Electrical

	inch	mm
Ⓐ Power cord length (from the left edge of the product)*	70 14/16	1800
Ⓑ Power cord length (from the right edge of the product)*	78 12/16	2000
Ⓒ Power cord length (from the top of the product)*	55 2/16	1400

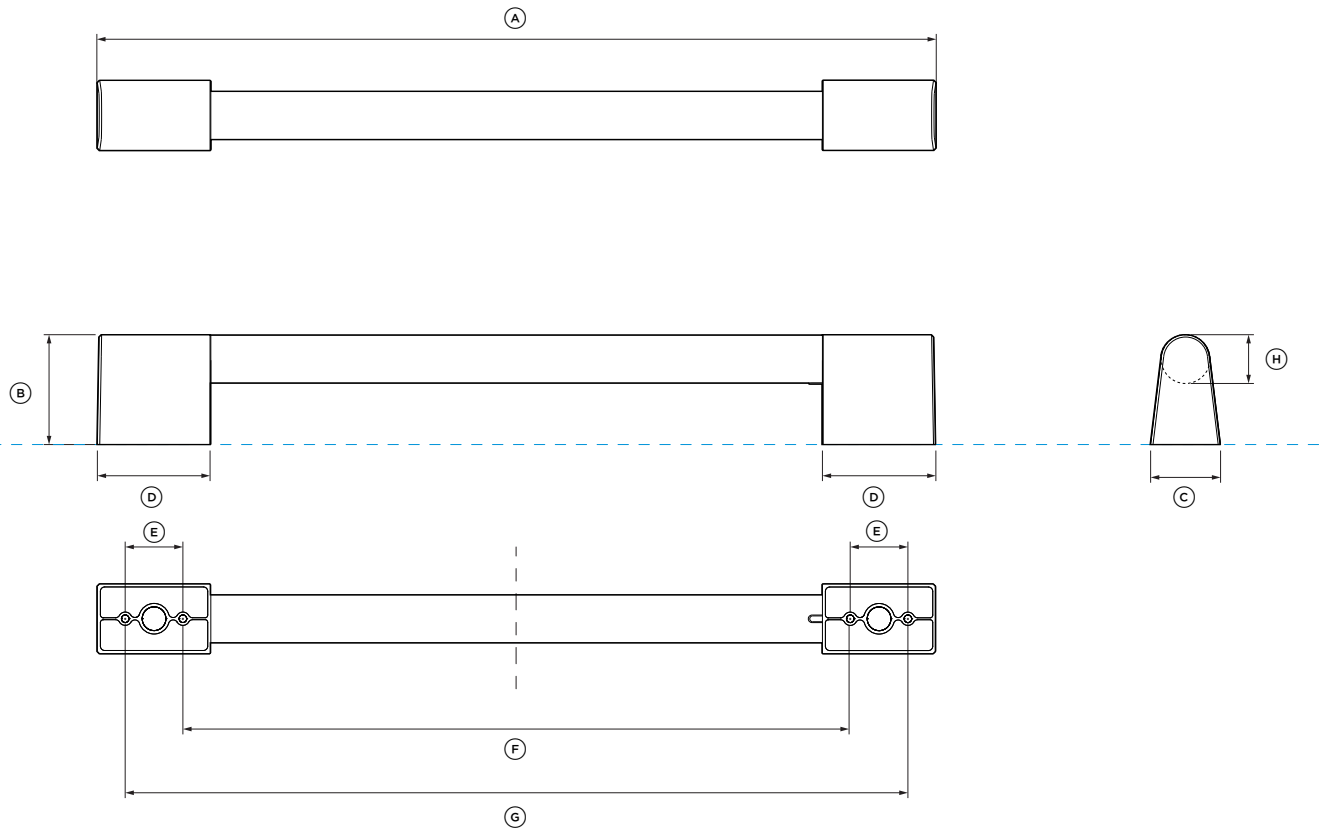
* Excluding plug.

Recommended that services are located in neighbouring cabinets

INDICATES PRODUCT DATUM -----
 INDICATES CABINETRY CLEARANCES -----

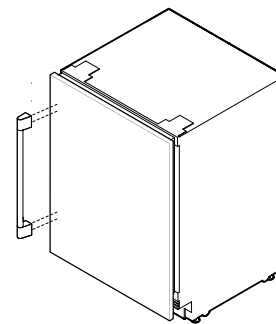
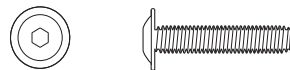
IMPORTANT NOTE: Throughout this guide, dimensions may vary by ±2mm (1/16"). Please read the Installation Guide for detailed information on installing the product. For full installation instructions visit fisherpaykel.com

HANDLE DATA SHEETS



SCREWS

M5 X 12" Pan Head Socket Screw (4 per handle).
Suits standard 3/4 inch panel. Thicker panels may require counterboring or longer screws.



HANDLE DATA SHEET
For all Integrated Wine Cabinet & Integrated Beverage Center models

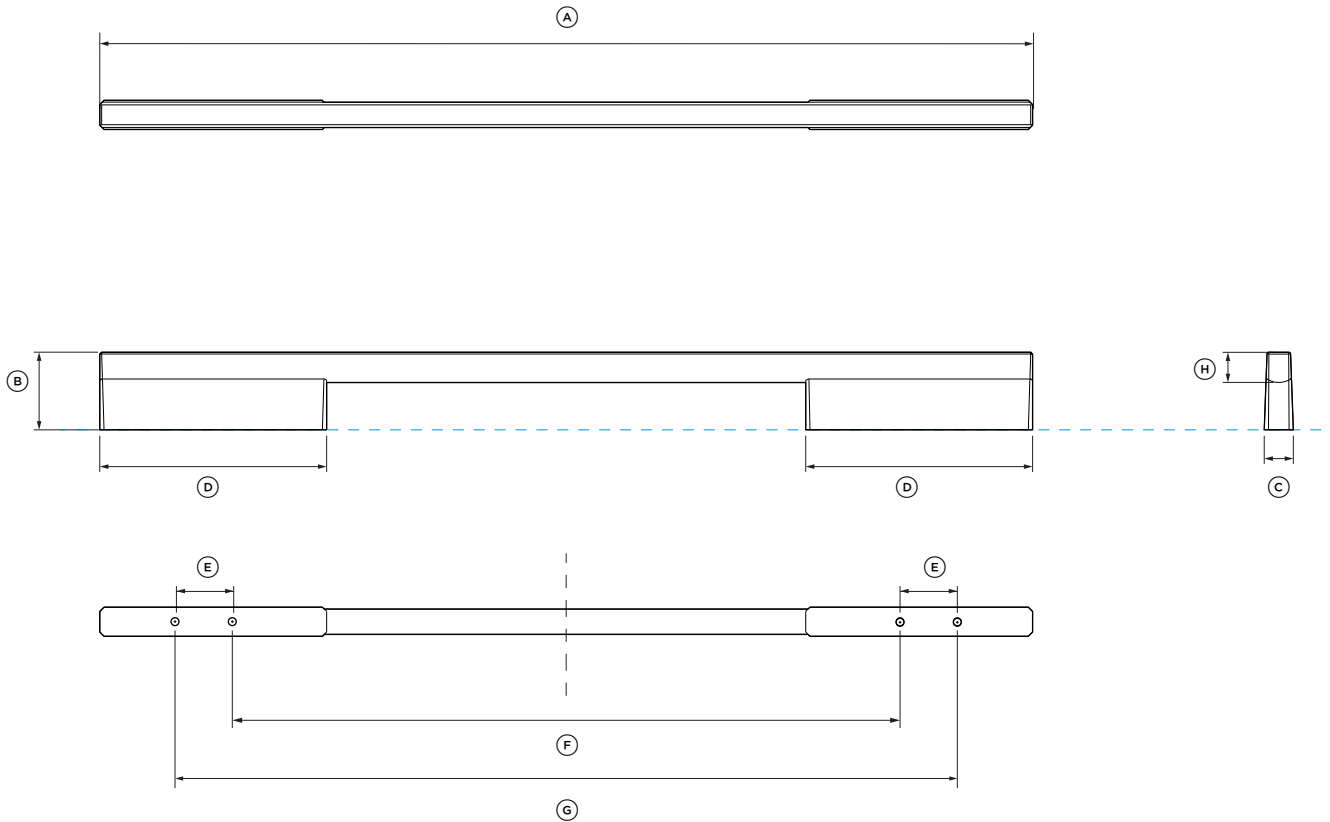
Model No:
Professional Handle AHP3RD35

For Models:
RS2435V2RT1, RS2435V2R1
Integrated Wine Cabinets
RS2435SBLT1, RS2435SBL1
Integrated Beverage Centers

Handle Dimensions	Inch	mm
Ⓐ Overall length of handle	17 7/16	442
Ⓑ Overall height of handle	2 5/16	58
Ⓒ Overall width of handle	1 7/16	37
Ⓓ Length of off-stand	2 6/16	60
Ⓔ Distance between attachment holes	1 3/16	30
Ⓕ Distance between inner attachment holes	13 15/16	353
Ⓖ Distance between outer attachment holes	16 4/16	413
Ⓗ Thickness of handle rail	1	25

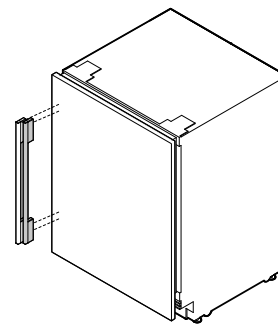
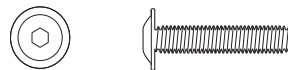
INDICATES PRODUCT DATUM -----
INDICATES CABINETRY CLEARANCES -----

IMPORTANT NOTE: Throughout this guide, dimensions may vary by ±2mm (1/16"). Please read the Installation Guide for detailed information on installing the product. For full installation instructions visit fisherpaykel.com



SCREWS

M5 X 12" Pan Head Socket Screw (4 per handle).
Suits standard 3/4 inch panel. Thicker panels may require counterboring or longer screws.



HANDLE DATA SHEET
For all Integrated Wine Cabinet & Integrated Beverage Center models

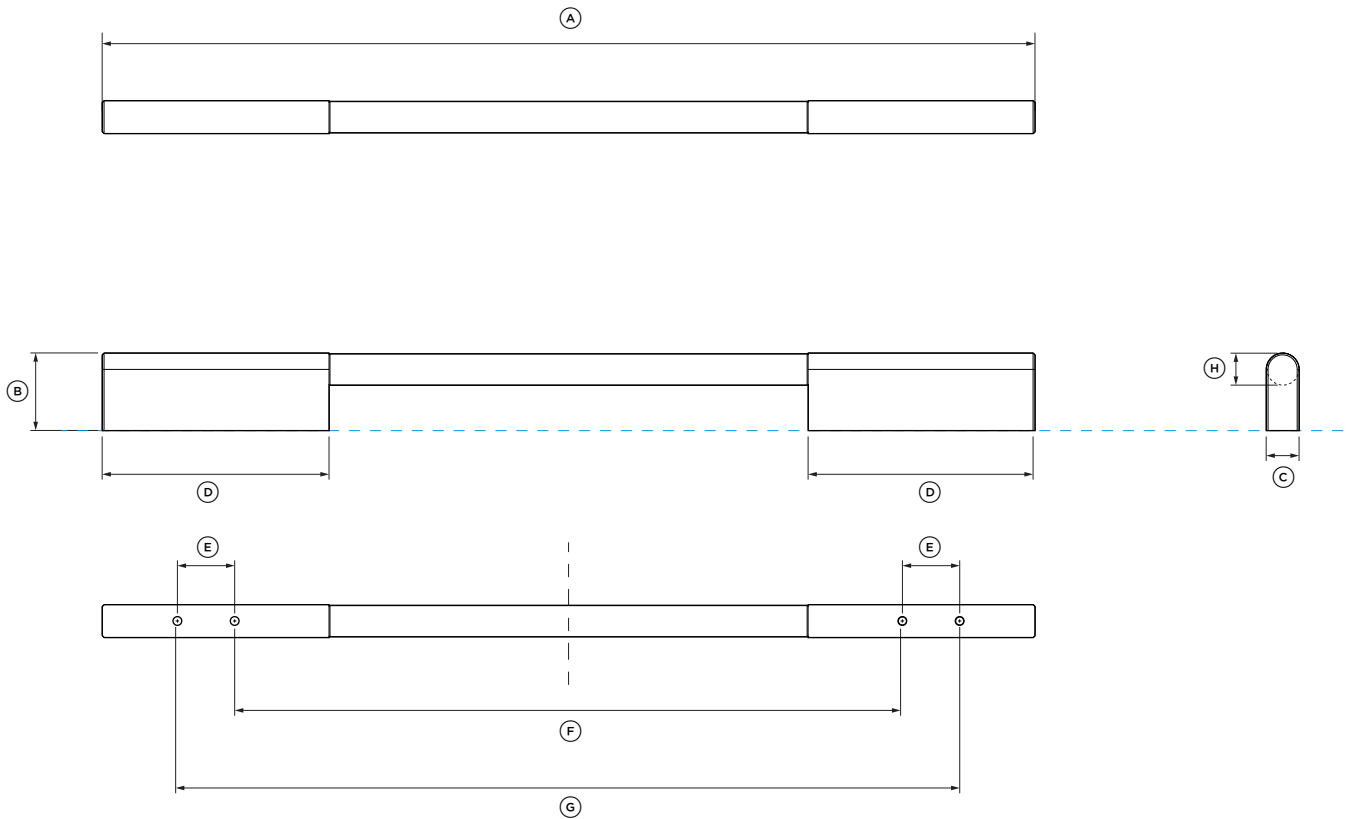
Model No:
Fine Aluminium Handle AHD5RD35

For Models:
RS2435V2RT1, RS2435V2R1
Integrated Wine Cabinets
RS2435SBLT1, RS2435SBL1
Integrated Beverage Centers

Handle Dimensions	Inch	mm
Ⓐ Overall length of handle	19 7/16	493
Ⓑ Overall height of handle	1 10/16	41
Ⓒ Overall width of handle	10/16	15
Ⓓ Length of off-stand	4 12/16	120
Ⓔ Distance between attachment holes	1 3/16	30
Ⓕ Distance between inner attachment holes	13 15/16	353
Ⓖ Distance between outer attachment holes	16 4/16	413
Ⓗ Thickness of handle rail	10/16	16

INDICATES PRODUCT DATUM -----
INDICATES CABINETRY CLEARANCES -----

IMPORTANT NOTE: Throughout this guide, dimensions may vary by ±2mm (1/16"). Please read the Installation Guide for detailed information on installing the product. For full installation instructions visit fisherpaykel.com



HANDLE DATA SHEET
For all Integrated Wine Cabinet &
Integrated Beverage Center models

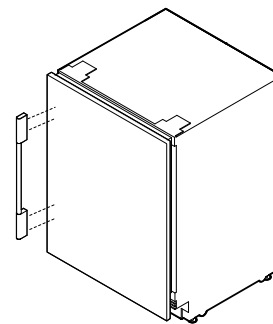
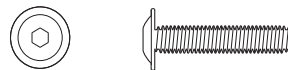
Model No:
Fine Round Handle AHSRD35

For Models:
RS2435V2RT1, RS2435V2R1
Integrated Wine Cabinets
RS2435SBLT1, RS2435SBL1
Integrated Beverage Centers

Handle Dimensions	Inch	mm
Ⓐ Overall length of handle	19 7/16	493
Ⓑ Overall height of handle	1 10/16	41
Ⓒ Overall width of handle	11/16	17
Ⓓ Length of off-stand	4 12/16	120
Ⓔ Distance between attachment holes	1 3/16	30
Ⓕ Distance between inner attachment holes	13 15/16	353
Ⓖ Distance between outer attachment holes	16 4/16	413
Ⓗ Thickness of handle rail	11/16	17

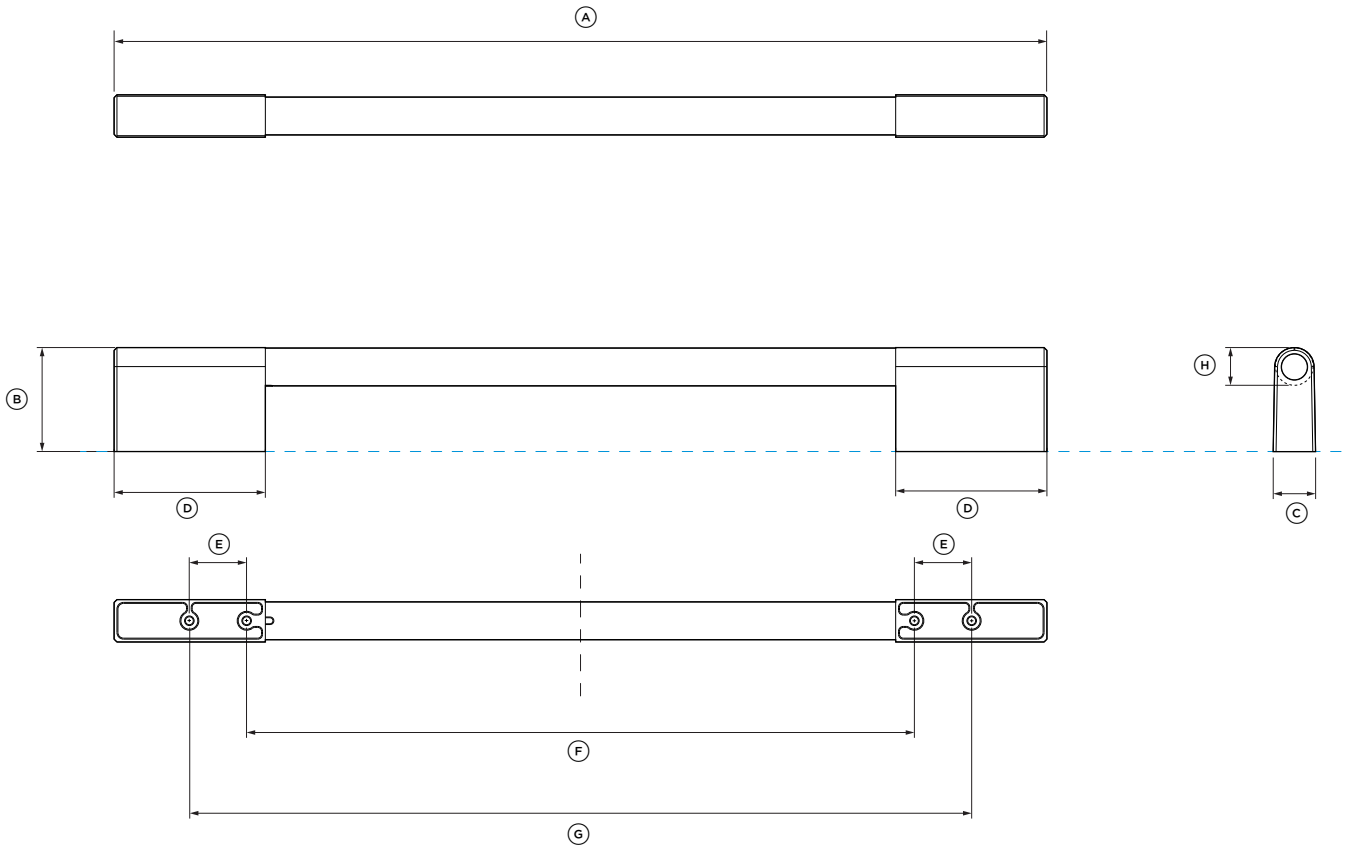
SCREWS

M5 X 12" Pan Head Socket Screw (4 per handle).
 Suits standard 3/4 inch panel. Thicker panels may require counterboring or longer screws.



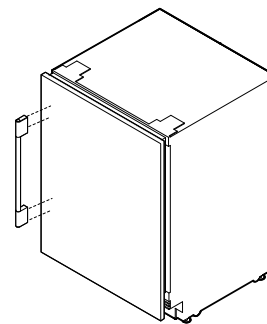
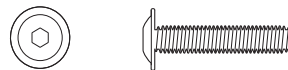
INDICATES PRODUCT DATUM -----
 INDICATES CABINETRY CLEARANCES -----

IMPORTANT NOTE: Throughout this guide, dimensions may vary by ±2mm (1/16"). Please read the Installation Guide for detailed information on installing the product. For full installation instructions visit fisherpaykel.com



SCREWS

M5 X 12" Pan Head Socket Screw (4 per handle).
Suits standard 3/4 inch panel. Thicker panels may require counterboring or longer screws.



HANDLE DATA SHEET
For all Integrated Wine Cabinet & Integrated Beverage Center models

Model No:
Classic Handle AHCLR35

For Models:
RS2435V2RT1, RS2435V2R1
Integrated Wine Cabinets
RS2435SBLT1, RS2435SBL1
Integrated Beverage Centers

Handle Dimensions	Inch	mm
Ⓐ Overall length of handle	16 5/16	414
Ⓑ Overall height of handle	2 3/16	55
Ⓒ Overall width of handle	14/16	22
Ⓓ Length of off-stand	3 3/16	80
Ⓔ Distance between attachment holes	1 3/16	30
Ⓕ Distance between inner attachment holes	13 15/16	353
Ⓖ Distance between outer attachment holes	16 4/16	413
ⓓ Thickness of handle rail	13/16	20

INDICATES PRODUCT DATUM -----
INDICATES CABINETRY CLEARANCES -----

IMPORTANT NOTE: Throughout this guide, dimensions may vary by ±2mm (1/16"). Please read the Installation Guide for detailed information on installing the product. For full installation instructions visit fisherpaykel.com

