

OVER THE RANGE MICROWAVE



CONTEMPORARY

MOH30SB1

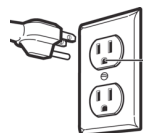
INSTALLATION GUIDE

US CA

IMPORTANT SAFETY INSTRUCTIONS!

IMPORTANT PLEASE READ CAREFULLY. FOR PERSONAL SAFETY, THIS APPLIANCE MUST BE PROPERLY GROUNDED TO AVOID SEVERE OR FATAL SHOCK.

- Read these instructions completely and carefully.
- **IMPORTANT - Save these instructions for local inspector's use. IMPORTANT - Observe all governing codes and ordinances.**
- **Note to Installer - Be sure to leave these instructions with the consumer. Note to Consumer - Keep these instructions for future reference.**
- **Skill level - Installation of this appliance requires basic mechanical and electrical skills. Proper installation is the responsibility of the installer.**
- **Product failure due to improper installation is not covered under the Warranty.**
- **This product requires a three-prong, properly grounded outlet for safe operation. If not properly grounded, or if the outlet box does not meet electrical requirements noted (under ELECTRICAL REQUIREMENTS), a qualified electrician should be employed to correct any deficiencies.**
- **The power cord of this appliance is equipped with a three-prong (grounding) plug which mates with a standard three-prong (grounding) wall receptacle to minimize the possibility of electric shock hazard from this appliance.**
- **Ensure proper ground before use**
- **You should have the wall receptacle and circuit checked by a qualified electrician to make sure that the receptacle is properly grounded.**
- **Where a standard two-prong wall receptacle is encountered, it is very important to have it replaced with a properly grounded three-prong wall receptacle installed by a qualified electrician.**
- **DO NOT, UNDER ANY CIRCUMSTANCES, CUT, DEFORM, OR REMOVE ANY OF THE PRONGS FROM THE POWER CORD. DO NOT USE WITH AN EXTENSION CORD.**
- **For easier installation and personal safety, it is recommended that two people install this product.**



Electrical requirements

- **The product rating of your microwave is 120 volts AC, 60 Hertz, 15 amps, and 1.6 kilowatts. This product must be connected to a supply circuit of the proper voltage and frequency. Wire size must conform to the requirements of the National Electrical Code or the prevailing local code for this kilowatt rating. The power supply cord and plug should be brought to a separate 20 ampere branch circuit single grounded outlet. The outlet box should be located in the cabinet above the microwave oven. The outlet box and supply circuit should be installed by a qualified electrician and conform to the National Electrical Code or the prevailing local code.**

SAVE THESE INSTRUCTIONS

The models shown in this installation guide may not be available in all markets and are subject to change at any time. For current details about model and specification availability in your country, please go to our website www.fisherpaykel.com or contact your local Fisher & Paykel dealer.

COMPONENTS REQUIRED

TOOLS

- | | |
|-------------------------------------------------------|----------------------------------------------------------------|
| <input type="checkbox"/> Phillips screwdriver | <input type="checkbox"/> Ruler or tape measure |
| <input type="checkbox"/> Pencil | <input type="checkbox"/> Stud finder |
| <input type="checkbox"/> Gloves | <input type="checkbox"/> Hammer |
| <input type="checkbox"/> Tin snips | <input type="checkbox"/> Level |
| <input type="checkbox"/> Safety goggles | <input type="checkbox"/> Duct / masking tape |
| <input type="checkbox"/> Scissors | <input type="checkbox"/> Filler blocks for top cabinet spacing |
| <input type="checkbox"/> Saw (saber, hole or keyhole) | <input type="checkbox"/> Square (optional) |

PARTS

- If the unit is damaged in shipment, return the unit to the store in which it was bought for repair or replacement.
- If the unit is damaged by the customer, repair or replacement is the responsibility of the customer
- If the unit is damaged by the installer (if other than the customer), repair or replacement must be made by arrangement between customer and installer.

Hardware packet

- 2x Wood screws (1/4"x2")
- 2x Toggle Bolts and wing nuts (1/16"x3")
- 3x Self-aligning machine screws (1/4"-28x3 1/4")
- 1x Nylon grommet (for metal cabinets)

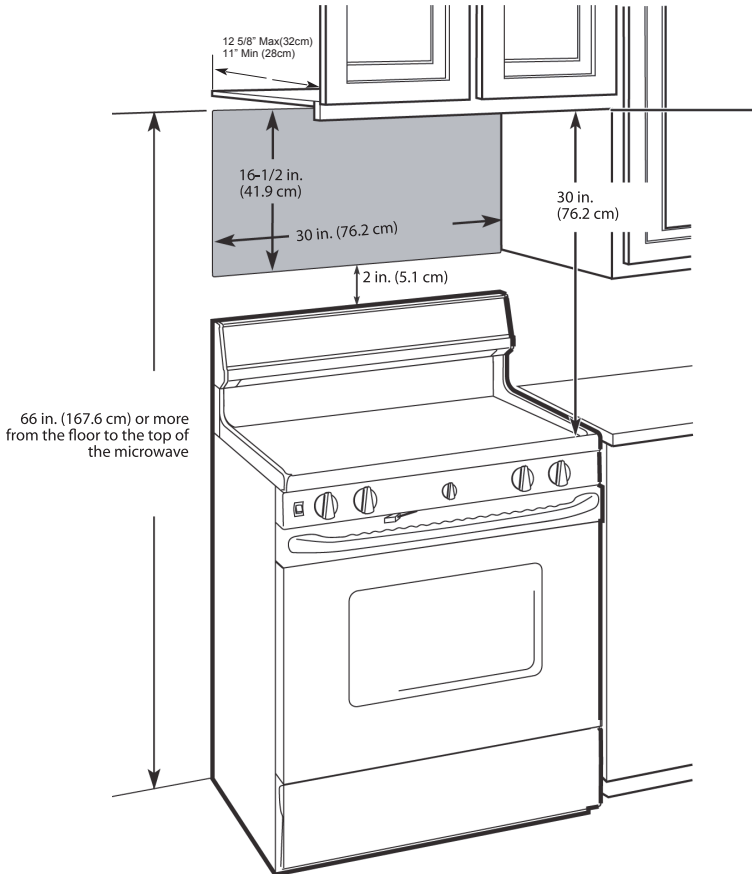
You will find the installation hardware contained in a packet with the unit. Check to make sure you have all these parts. NOTE: Some extra parts are included.

Additional parts

- | | |
|--------------------------------------------------|---------------------------------------------|
| <input type="checkbox"/> 1x Top cabinet template | <input type="checkbox"/> 2x Grease filters |
| <input type="checkbox"/> 1x Rear wall template | <input type="checkbox"/> 1x Exhaust adaptor |
| <input type="checkbox"/> 1x Installation guide | <input type="checkbox"/> 1x Glass tray |
| <input type="checkbox"/> 1x User guide | <input type="checkbox"/> 1x Turntable ring |

MOUNTING REQUIREMENTS

- The space between the cabinets must be 30 in. (76.2 cm) wide. If the space between the cabinets is more than 30 in. (76.2 cm), you'll need filler material to fill the gap between the microwave and cabinets.
- This microwave is for installation over ranges up to 36 in. (91.4 cm) wide.
- If installing the microwave beneath smooth, flat cabinets, make sure that you leave enough space for the power cord clearance.
- If you are going to vent your exhaust to the outside, see "Exhaust requirements" for exhaust duct preparation.



EXHAUST REQUIREMENTS

Use this section if you plan to vent your microwave outside (top or back exhaust). If you plan to recirculate the air back into the room, skip to "Removing your microwave"

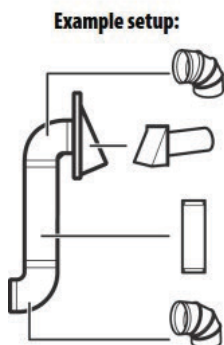
When installing exhaust vents:




- Use the most direct route with as few elbows/transitions as possible. This helps prevent blockages and ensures that the exhaust is being vented correctly.
- Your microwave is designed to mate with a standard 3-1/4" x 10" rectangular duct. If a round duct is required a rectangular-to-round transition adapter must be used. Do not use a duct with a diameter less than 6".

Note:

If a rectangular-to-round transition adapter is used, you must cut the bottom corners of the damper with tin snips to let the damper have free movement.

Elbows, transitions, and wall/roof caps add resistance to airflow. Each of these pieces are equivalent to a section of straight duct that is longer than their actual physical size. When calculating your duct length, add the equivalent lengths of all the pieces together. For proper airflow, the equivalent airflow should not exceed 120 ft. For example:



Duct Pieces	Equivalent Length	×	Number Used	=	Total Equivalent Length
 Roof cap	40 ft.	×	(1)	=	40 ft.
 90° elbow	10 ft.	×	(2)	=	20 ft.
 Straight duct 6" round OR 3-1/4" x 10" rectangular	3 ft.	×	(1)	=	3 ft.
Total ductwork =					63 ft.

↑
For proper airflow, this number should not exceed 120 ft.





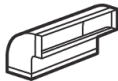
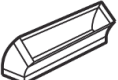
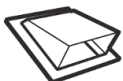

Use the "Equivalent duct length table" to calculate the equivalent duct-work length for your setup. Equivalent lengths of duct pieces are based on actual tests and reflect requirements for good venting performance with any vent hood.

EXHAUST REQUIREMENTS

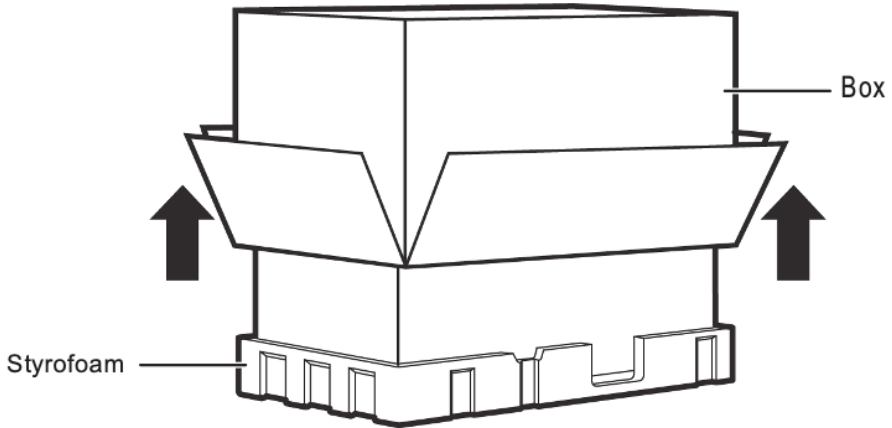
EQUIVALENT DUCT LENGTH TABLE

To calculate your equivalent duct length:

- ① Write the number of sections used for each of the duct pieces.
- ② Multiply the number used by the equivalent length for each duct piece.
- ③ Add the total equivalent lengths together. This number must be less than 120 ft.

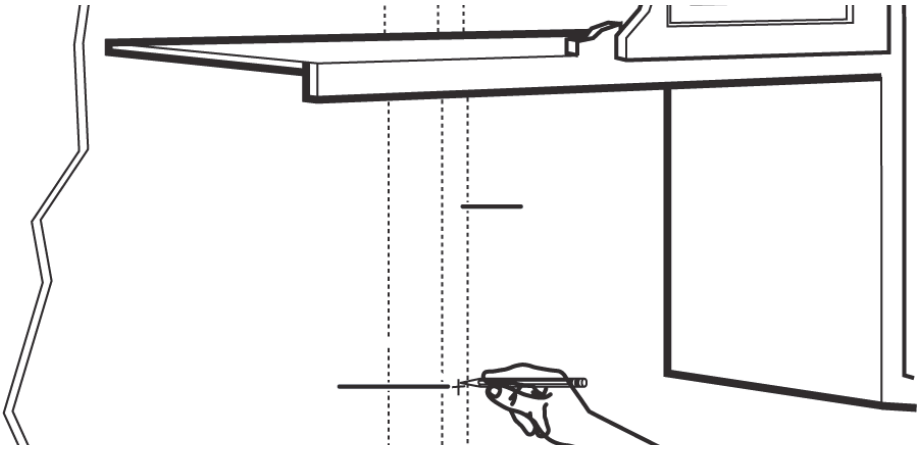
	Rectangular-to-round transition adapter	5 ft.	x	=	ft.	
	Wall cap	40 ft.	x	=	ft.	
	90° elbow	10 ft.	x		ft.	
	45° elbow	5 ft.	x	=	ft.	
	90° elbow	25 ft.	x	=	ft.	
	45° elbow	5 ft.	x	=	ft.	
	Roof cap	24 ft.	x	=	ft.	
	Straight duct 6" round OR 3-1/4" x 10" rectangular	1 ft.	x		ft.	
				Total ductwork	=	ft. <small>(For proper airflow, this number should not exceed 120 ft.)</small>

UNPACKING YOUR PRODUCT



1. Remove the documentation, filters, glass tray, and hardware bag from the box. Do not remove the Styrofoam protecting the front of your microwave.
2. Fold back all four box flaps, then carefully roll the microwave and box over onto the top side. The microwave should be resting in the Styro foam.
3. Pull the box up and off the microwave.
4. Remove the plastic bags and discard.

LOCATE WALL STUDS

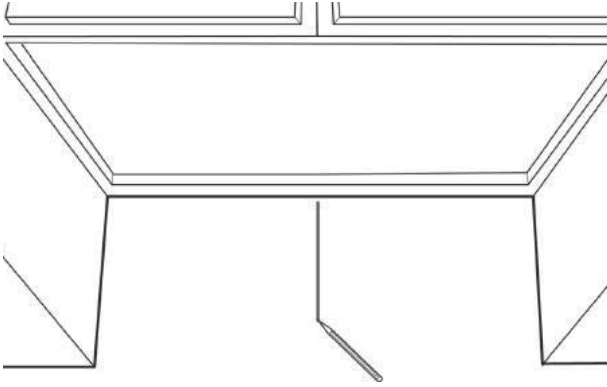


Your microwave must be connected to at least one wall stud.

1. Using an edge-to-edge stud finder, locate the edges of the wall stud(s) within the opening.
2. The center of any adjacent wall studs should be 16" or 24" from this mark.
3. Mark the center of each stud, and then draw a vertical line down the center of each stud.

ALIGN REAR WALL TEMPLATE

If the rear wall template is damaged or unusable, see "Rear wall template dimensions".



1. Use a level to make sure that the bottom of the cabinet is level.

2. Draw a vertical line down the center of the wall in the mounting space. This is where the center of your template will be

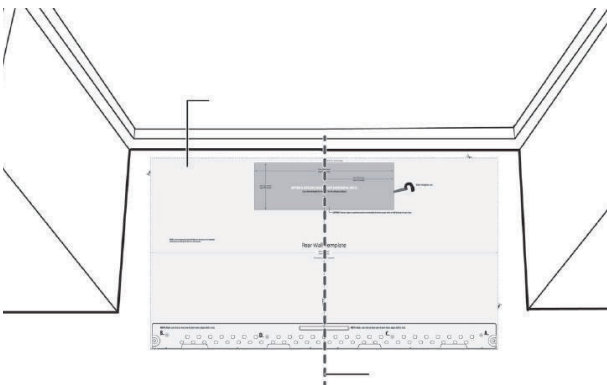
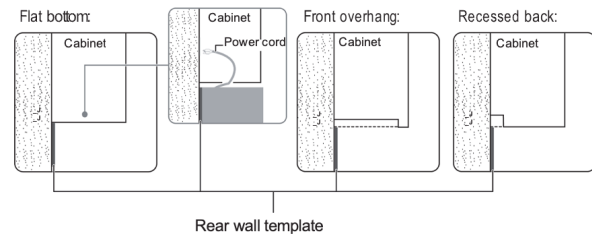
3. Draw a horizontal line at the height of the front of your cabinet. This is where the top of your template will be. If the bottom of your cabinet is flat, make sure that you leave space for the power cord.

4. Trim the rear wall template along the dotted line.

5. Trim the rear wall template along the dotted line.

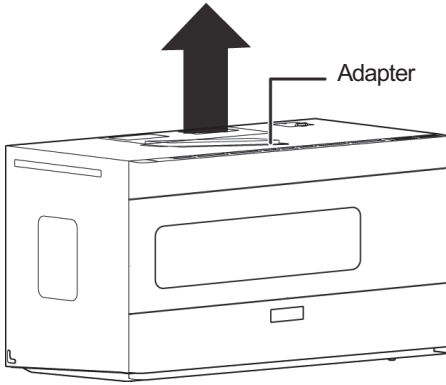
6. Tape the template in place so that it is centered on the vertical line and the top edge is aligned with the horizontal line.

7. Find a hole that aligns with a stud (this is C or D). **You must mount to at least one stud.**



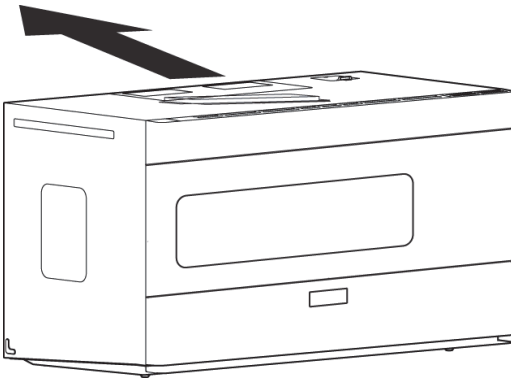
8. Drill holes through the template at points A, B, and C or D. If the hole lines up with a stud, drill a 3/16" hole. Otherwise, drill a 5/8" hole for the toggle bolts. You must use at least three holes for mounting. Depending on your stud locations, your installation may look different. You should mount to at least one stud.

SELECT VENTILATION TYPE



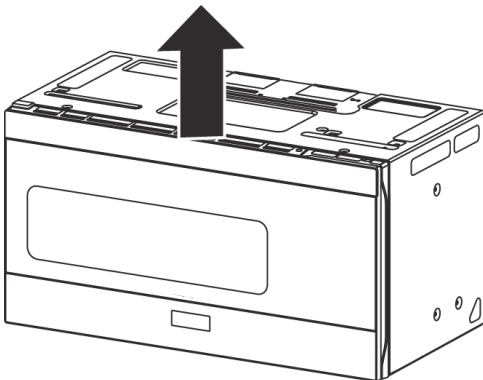
Option A

Outside top exhaust (vertical duct)



Option B

Outside rear exhaust (horizontal duct)

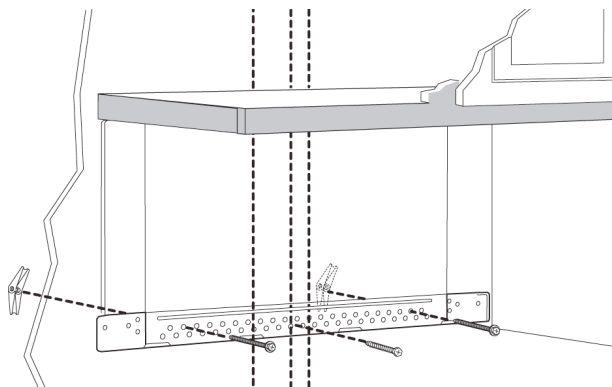


Option C

Recirculating (non-vented/ductless). This installation requires a charcoal filter (included).

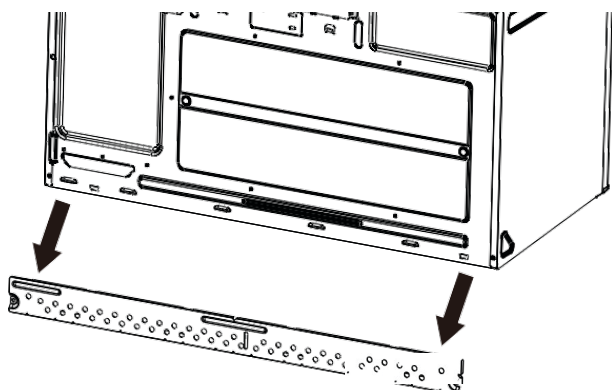
OPTION A: TOP EXHAUST INSTALLATION

ATTACH THE MOUNTING PLATE TO THE WALL



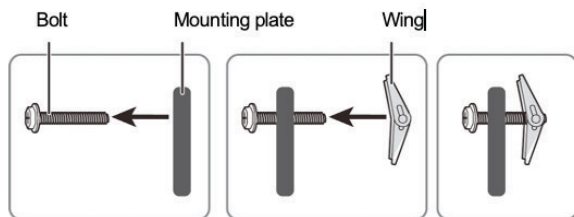
1. Remove the rear wall template.

Note: Depending on your stud locations, your installation may look different. You should insert toggle bolts into drywall and wood screws into studs.



2. Remove the mounting plate from the back of your microwave using a Phillips screwdriver.

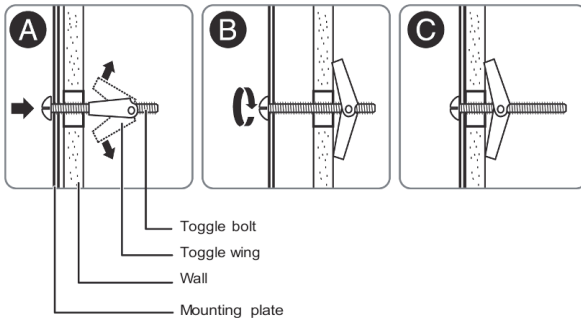
3. Insert the toggle bolt(s) through the front of the mounting plate into the hole(s) that are not going into a stud, and then attach the toggle wings $\frac{3}{4}$ " onto each bolt. Hold your mounting plate up to holes in your wall to identify the correct position.



4. Place the mounting plate against the wall and insert the toggle wings into the holes you drilled in the drywall. Pull the mounting plate away from the wall to help tighten the toggle wings.

OPTION A: TOP EXHAUST INSTALLATION

..... ATTACH THE MOUNTING PLATE TO THE WALL



5. Insert wood screw(s) through the mounting plate and into the hole(s) drilled in the stud(s), then tighten both the wood screw(s) and toggle bolt(s) with a Phillips screwdriver to mount the plate. Make sure that the plate is centered before tightening fully.

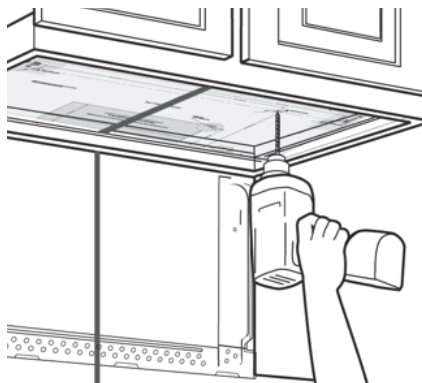
OPTION A: TOP EXHAUST INSTALLATION

PREPARE THE TOP CABINET

You need to drill holes for the top support screws, a hole large enough for the power cord to fit through, and a cutout large enough for the exhaust adapter.

1. Turn off the power to the outlet in the cabinet and ensure everything is removed.
2. Trim the Top Cabinet Template along the dotted line.

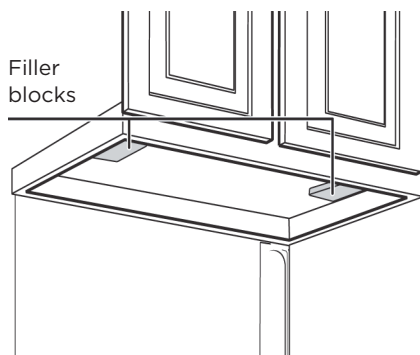
If the bottom of your cabinet is recessed and the template is too large, trim the edges to fit. Your template should fit snug inside the space with no overhang.



3. Position the Top Cabinet Template by either:

- Aligning the center line on the template with the center line on the wall.
- Aligning the back edge of the template to the rear wall or to the back of the recess to make sure that the holes cut into the upper cabinet align with the holes in the top of the microwave.

4. Tape the template to the cabinet.
5. Drill $\frac{1}{2}$ " holes at points A, B, and C.
6. Cut a 2" hole at point D for the power cord.
7. Cut area G through the cabinet bottom.
8. Remove the template.

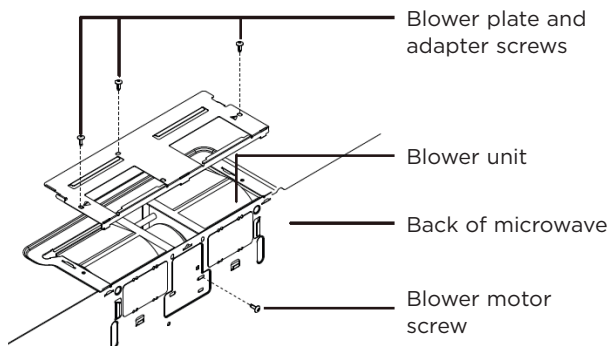


Recessed cabinet installations:

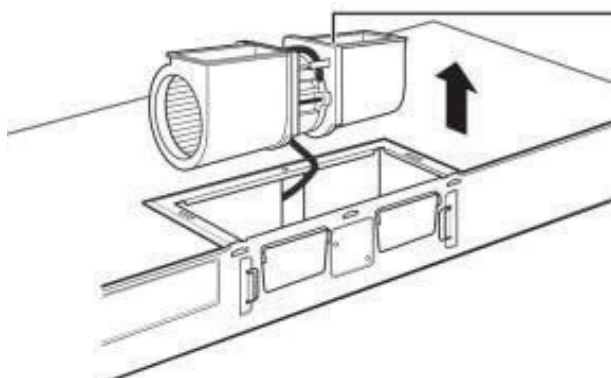
1. Follow steps 1 to 7 above.
2. Make two filler blocks out of scrap wood pieces the size of shaded areas H. They must be as thick as the depth of the cabinet recess
3. Drill $\frac{5}{8}$ " holes in the filler blocks to align with points A and B.
4. Align the blocks with the corresponding holes in the cabinet. They should be at the same level as the bottom edge of the cabinet frame.
5. Remove the template.

OPTION A: TOP EXHAUST INSTALLATION

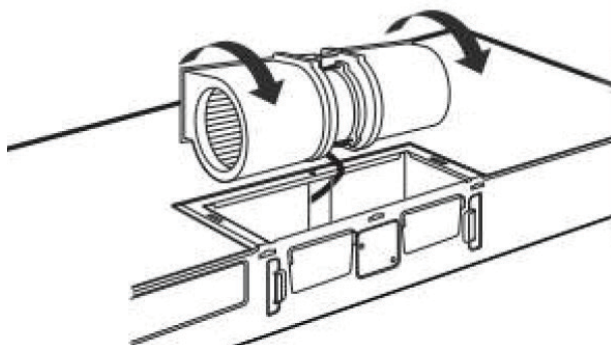
ADAPT THE MICROWAVE BLOWER FOR OUTSIDE TOP EXHAUST



1. Remove and save the screws that hold the blower unit in the microwave.



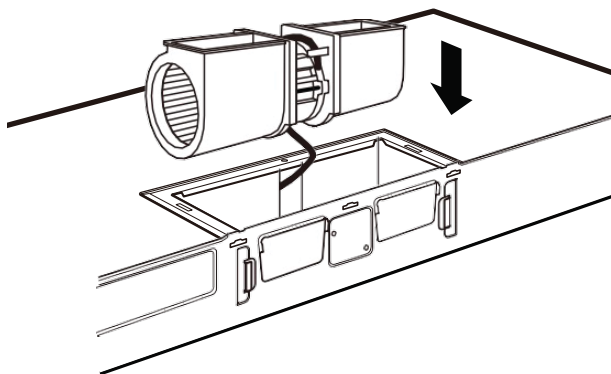
2. Carefully pull out the blower unit. The wires will extend far enough to let you adjust the blower unit. Do not disconnect the wires.



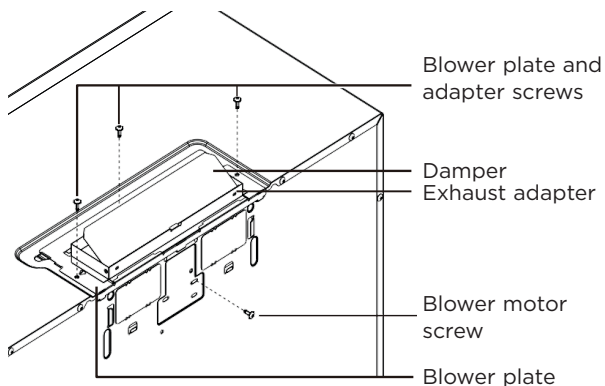
3. Turn the blower unit 90° so the fan blade openings are facing out the top of the microwave.

OPTION A: TOP EXHAUST INSTALLATION

..... ADAPT THE MICROWAVE BLOWER FOR OUTSIDE TOP EXHAUST



4. Place the blower unit back into the opening. The blower unit exhaust openings should face upwards.

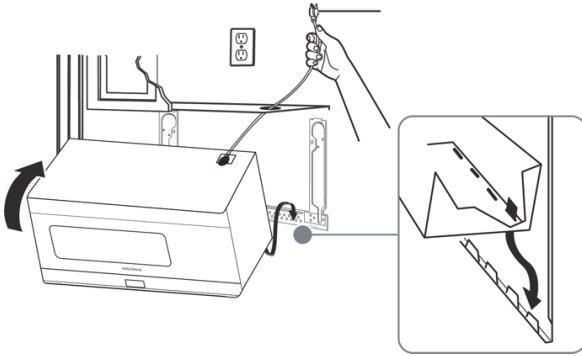


5. Slide the exhaust adapter into the guides on the top of the microwave until it is in the locking tabs.

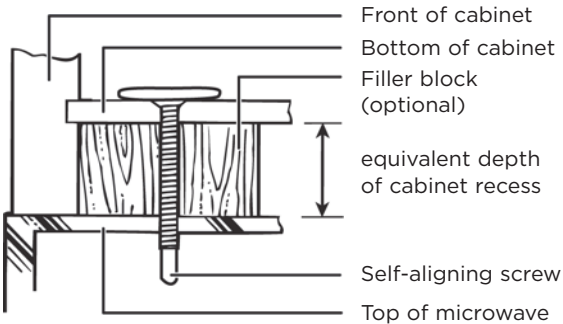
Secure the blower unit in the microwave with the screws you previously removed.

OPTION A: TOP EXHAUST INSTALLATION

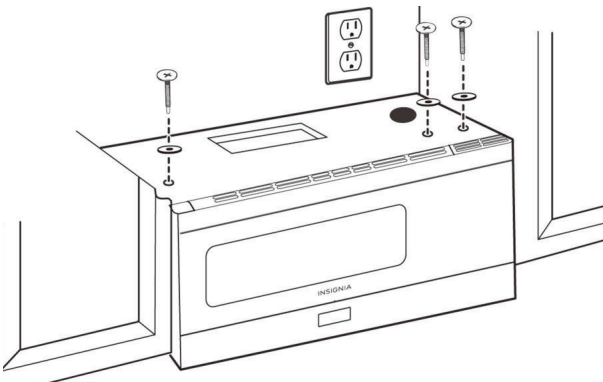
MOUNT THE MICROWAVE



1. If your cabinet is metal, insert the nylon grommet into the power cord hole to prevent cutting the cord.
2. Lift the microwave, tilt it forward, and hook the slots on the back bottom edge onto the four lower tabs of the mounting plate. Rotate the front of the microwave up against the bottom of the cabinet.



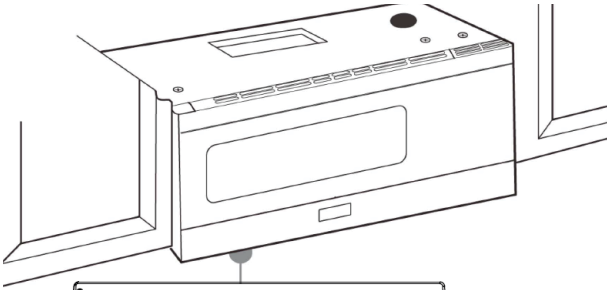
3. Insert a self-aligning screw through the top-center cabinet hole and rotate the screw at least two full turns.
4. Insert two self-aligning screws through the holes you drilled in the bottom of the cabinet. Turn each screw at least two full turns.



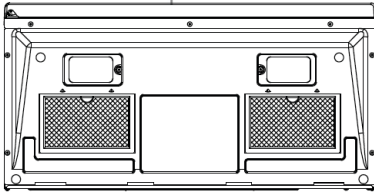
5. While holding the microwave up against the wall and cabinet, fully tighten the top-center machine screw, then fully tighten the outer two screws.

OPTION A: TOP EXHAUST INSTALLATION

..... MOUNT THE MICROWAVE



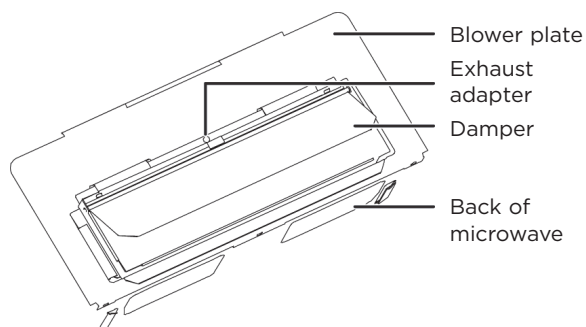
6. Fit the two grease filters into the openings underneath your microwave.



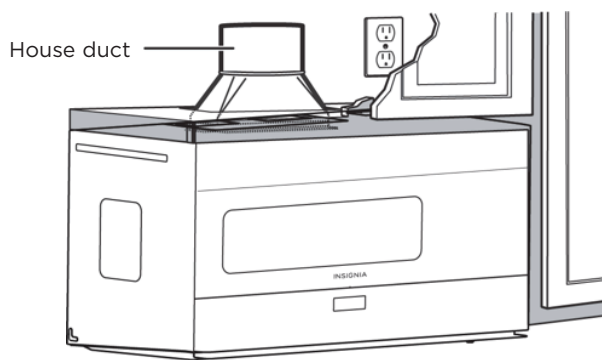
BOTTOM VIEW

OPTION A: TOP EXHAUST INSTALLATION

CONNECTING DUCTWORK



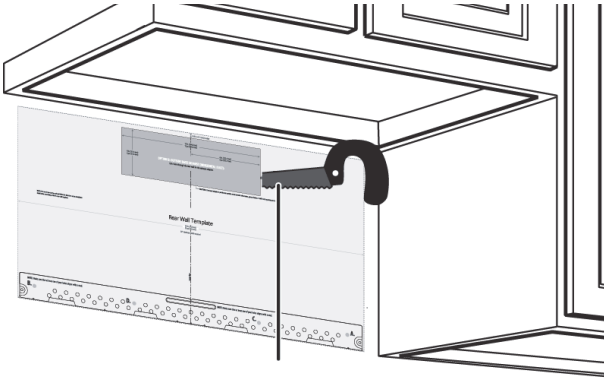
1. Open the cabinet and slide the exhaust adapter front-to-back or side-to-side to adjust.



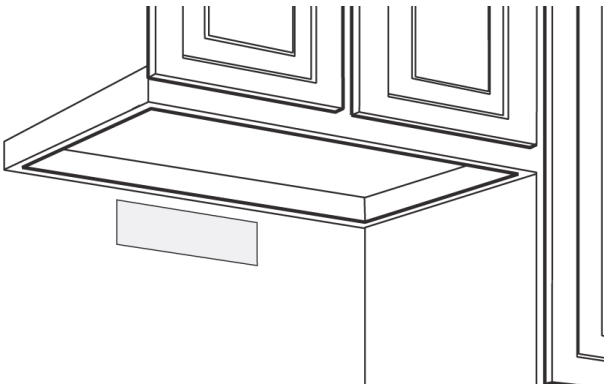
2. Extend the house duct down to connect to the exhaust adapter and seal duct joints with duct tape.

OPTION B: REAR EXHAUST INSTALLATION

CUTTING A VENT OPENING



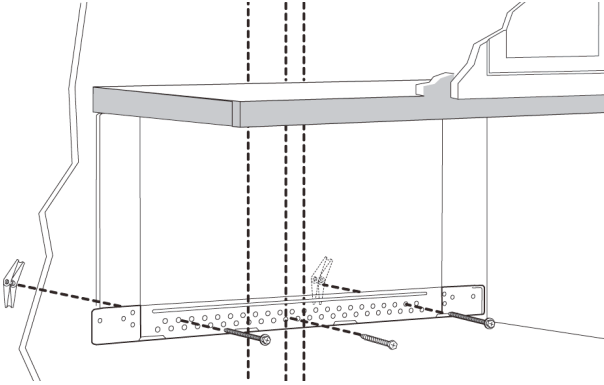
1. Use a saber or keyhole saw to cut out the shaded area through the rear wall.



2. Remove the rear wall template.

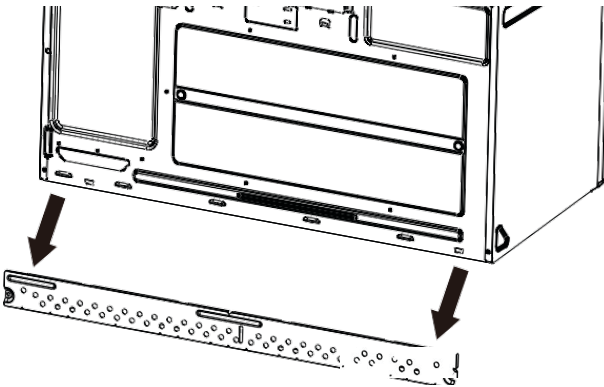
OPTION B: REAR EXHAUST INSTALLATION

ATTACH THE MOUNTING PLATE TO THE WALL



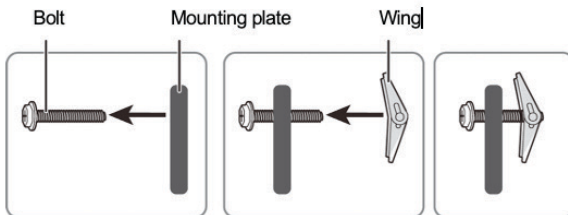
1. Remove the rear wall template.

Note: Depending on your stud locations, your installation may look different. You should insert toggle bolts into drywall and wood screws into studs.



2. Remove the mounting plate from the back of your microwave using a Phillips screwdriver.

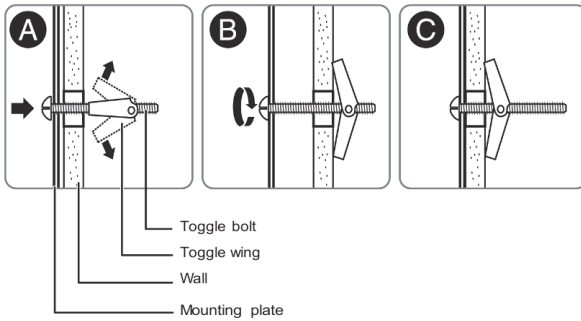
3. Insert the toggle bolt(s) through the front of the mounting plate into the hole(s) that are not going into a stud, and then attach the toggle wings $\frac{3}{4}$ " onto each bolt. Hold your mounting plate up to holes in your wall to identify the correct position.



4. Place the mounting plate against the wall and insert the toggle wings into the holes you drilled in the drywall. Pull the mounting plate away from the wall to help tighten the toggle wings.

OPTION B: REAR EXHAUST INSTALLATION

..... ATTACH THE MOUNTING PLATE TO THE WALL



5. Insert wood screw(s) through the mounting plate and into the hole(s) drilled in the stud(s), then tighten both the wood screw(s) and toggle bolt(s) with a Phillips screwdriver to mount the plate. Make sure that the plate is centered before tightening fully.

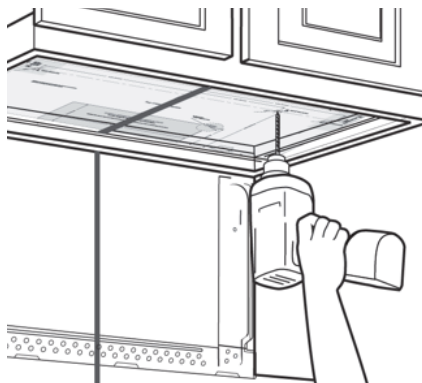
OPTION B: REAR EXHAUST INSTALLATION

PREPARE THE TOP CABINET

You need to drill holes for the top support screws, a hole large enough for the power cord to fit through, and a cutout large enough for the exhaust adapter.

1. Turn off the power to the outlet in the cabinet and ensure everything is removed.
2. Trim the Top Cabinet Template along the dotted line.

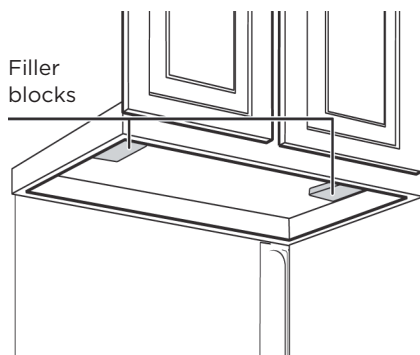
If the bottom of your cabinet is recessed and the template is too large, trim the edges to fit. Your template should fit snug inside the space with no overhang.



3. Position the Top Cabinet Template by either:

- Aligning the center line on the template with the center line on the wall.
- Aligning the back edge of the template to the rear wall or to the back of the recess to make sure that the holes cut into the upper cabinet align with the holes in the top of the microwave.

4. Tape the template to the cabinet.
5. Drill $\frac{1}{2}$ " holes at points A, B, and C.
6. Cut a 2" hole at point D for the power cord.
7. Cut area G through the cabinet bottom.
8. Remove the template.

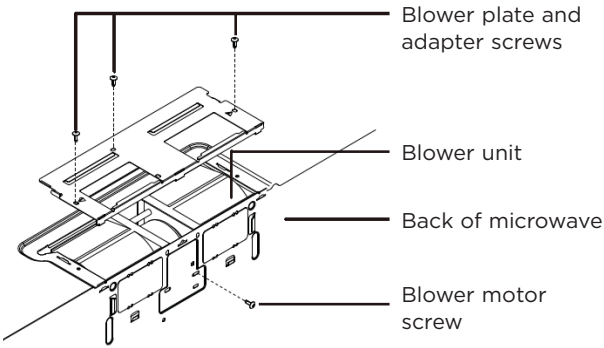


Recessed cabinet installations:

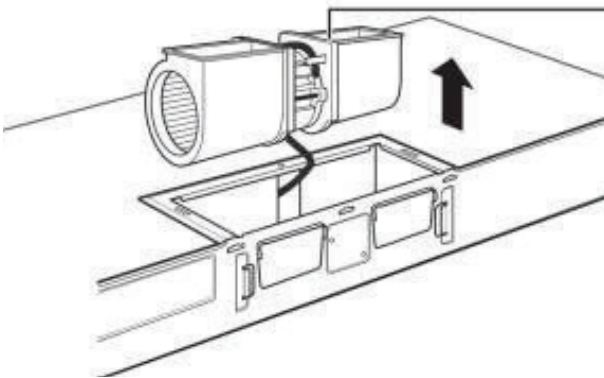
1. Follow steps 1 to 7 above.
2. Make two filler blocks out of scrap wood pieces the size of shaded areas H. They must be as thick as the depth of the cabinet recess
3. Drill $\frac{5}{8}$ " holes in the filler blocks to align with points A and B.
4. Align the blocks with the corresponding holes in the cabinet. They should be at the same level as the bottom edge of the cabinet frame.
5. Remove the template.

OPTION B: REAR EXHAUST INSTALLATION

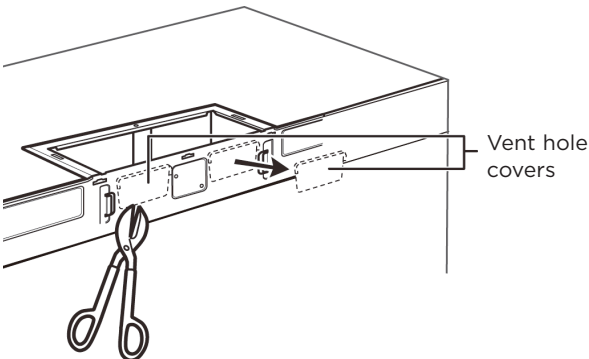
ADAPT THE MICROWAVE BLOWER FOR OUTSIDE REAR EXHAUST



1. Remove and save the screws that hold the blower unit in the microwave.



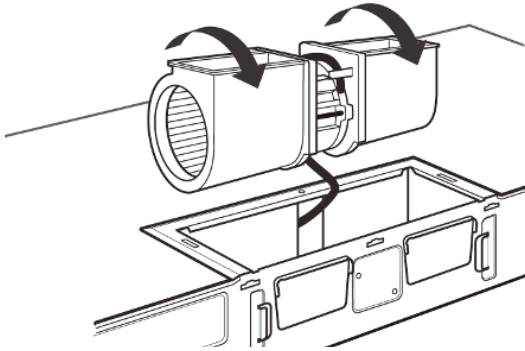
2. Carefully pull out the blower unit. The wires will extend far enough to let you adjust the blower unit. Do not disconnect the wires.



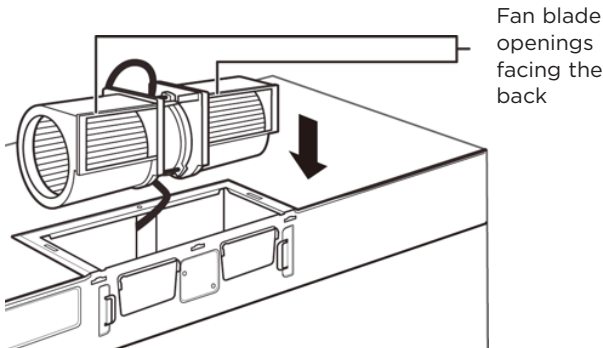
3. Cut out the vent holes with tin snips

OPTION B: REAR EXHAUST INSTALLATION

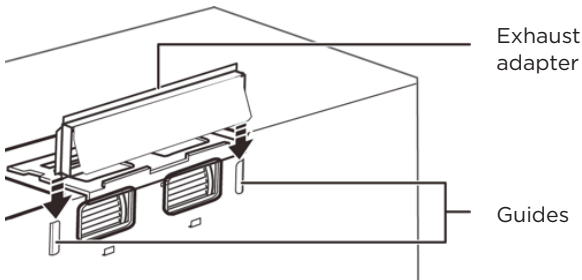
..... ADAPT THE MICROWAVE BLOWER FOR OUTSIDE TOP EXHAUST



4. Turn the blower unit 180° so that the fan blade openings are facing out the back of the microwave.



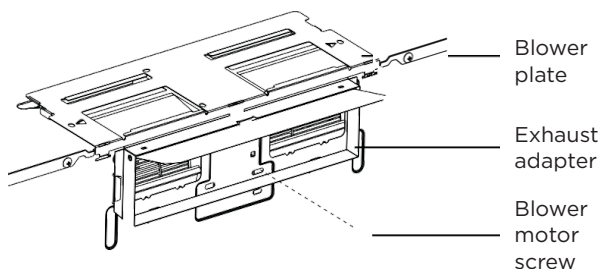
5. Place the blower unit back into the opening. The blower unit exhaust openings should match the exhaust openings on back of the microwave.



6. Slide the exhaust adapter into the guides on the back of the microwave and push in until it is aligned with the blower motor screw holes, then secure with the blower motor screws.

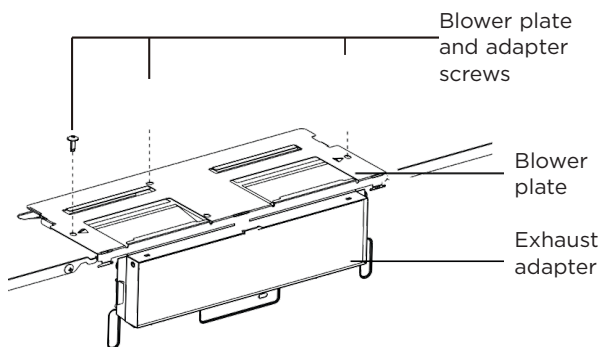
OPTION B: REAR EXHAUST INSTALLATION

..... ADAPT THE MICROWAVE BLOWER FOR OUTSIDE TOP EXHAUST



7. Secure the blower unit in the microwave with the screw you previously removed.

Make sure that the damper hinge is at the top and that it can swing freely.

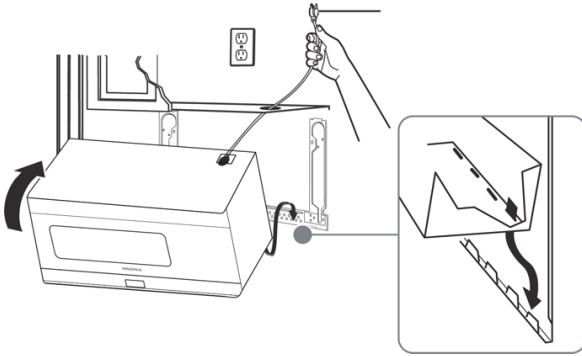


8. Secure the blower unit in the microwave with the screw you previously removed.

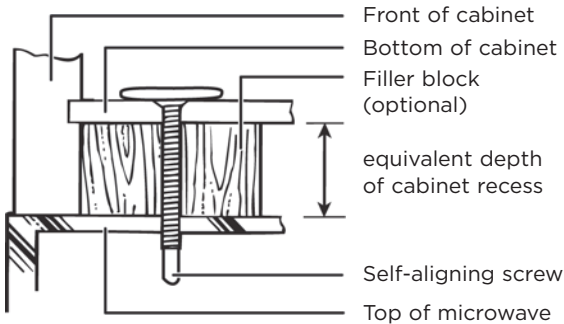
Make sure that the damper hinge is at the top and that it can swing freely.

OPTION B: REAR EXHAUST INSTALLATION

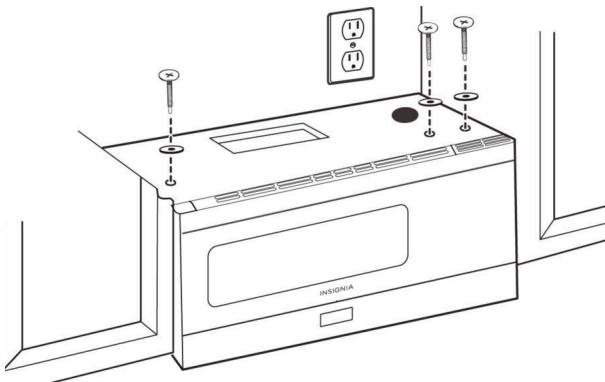
MOUNT THE MICROWAVE



1. If your cabinet is metal, insert the nylon grommet into the power cord hole to prevent cutting the cord.
2. Lift the microwave, tilt it forward, and hook the slots on the back bottom edge onto the four lower tabs of the mounting plate. Rotate the front of the microwave up against the bottom of the cabinet.



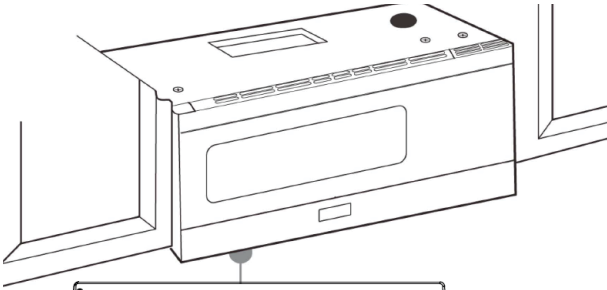
3. Insert a self-aligning screw through the top-center cabinet hole and rotate the screw at least two full turns.
4. Insert two self-aligning screws through the holes you drilled in the bottom of the cabinet. Turn each screw at least two full turns.



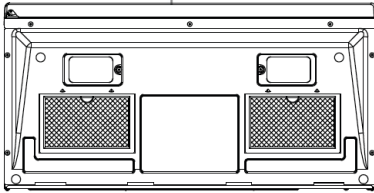
5. While holding the microwave up against the wall and cabinet, fully tighten the top-center machine screw, then fully tighten the outer two screws.

OPTION B: REAR EXHAUST INSTALLATION

..... MOUNT THE MICROWAVE



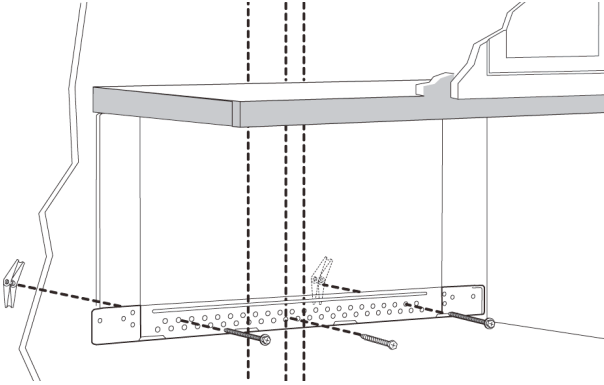
6. Fit the two grease filters into the openings underneath your microwave.



BOTTOM VIEW

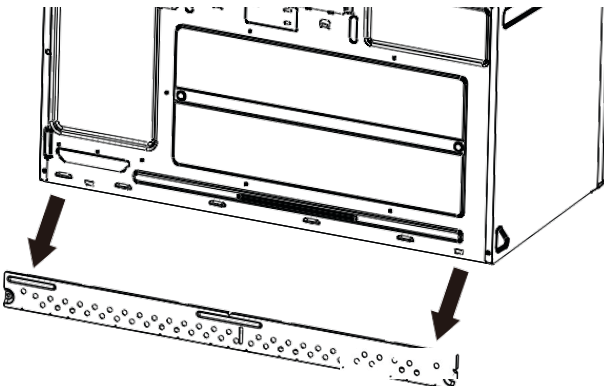
OPTION C: RECIRCULATED INSTALLATION

ATTACH THE MOUNTING PLATE TO THE WALL



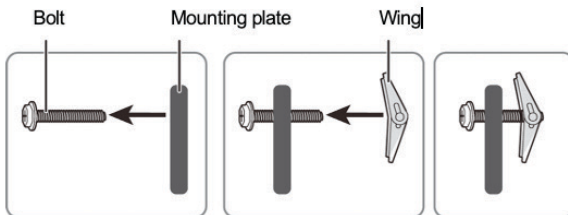
1. Remove the rear wall template.

Note: Depending on your stud locations, your installation may look different. You should insert toggle bolts into drywall and wood screws into studs.



2. Remove the mounting plate from the back of your microwave using a Phillips screwdriver.

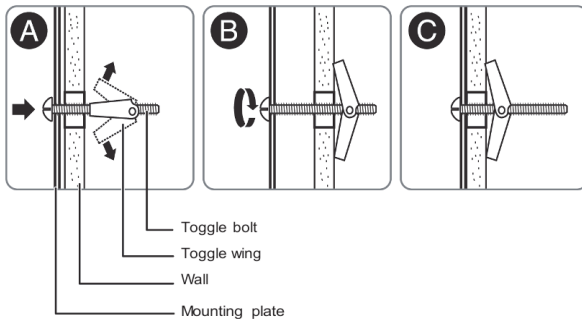
3. Insert the toggle bolt(s) through the front of the mounting plate into the hole(s) that are not going into a stud, and then attach the toggle wings $\frac{3}{4}$ " onto each bolt. Hold your mounting plate up to holes in your wall to identify the correct position.



4. Place the mounting plate against the wall and insert the toggle wings into the holes you drilled in the drywall. Pull the mounting plate away from the wall to help tighten the toggle wings.

OPTION C: RECIRCULATED INSTALLATION

ATTACH THE MOUNTING PLATE TO THE WALL



5. Insert wood screw(s) through the mounting plate and into the hole(s) drilled in the stud(s), then tighten both the wood screw(s) and toggle bolt(s) with a Phillips screwdriver to mount the plate. Make sure that the plate is centered before tightening fully.

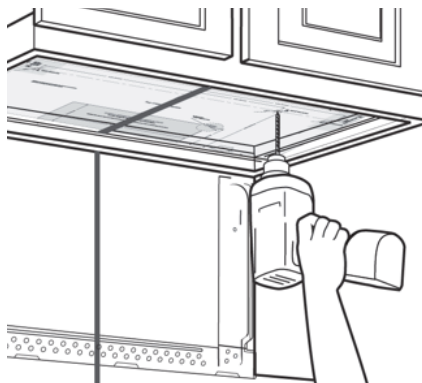
OPTION C: RECIRCULATED INSTALLATION

PREPARE THE TOP CABINET

You need to drill holes for the top support screws, a hole large enough for the power cord to fit through, and a cutout large enough for the exhaust adapter.

1. Turn off the power to the outlet in the cabinet and ensure everything is removed.
2. Trim the Top Cabinet Template along the dotted line.

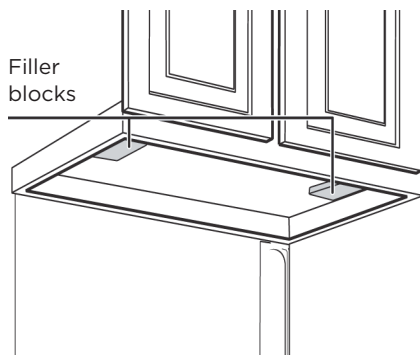
If the bottom of your cabinet is recessed and the template is too large, trim the edges to fit. Your template should fit snug inside the space with no overhang.



3. Position the Top Cabinet Template by either:

- Aligning the center line on the template with the center line on the wall.
- Aligning the back edge of the template to the rear wall or to the back of the recess to make sure that the holes cut into the upper cabinet align with the holes in the top of the microwave.

4. Tape the template to the cabinet.
5. Drill $\frac{1}{2}$ " holes at points A, B, and C.
6. Cut a 2" hole at point D for the power cord.
7. Cut area G through the cabinet bottom.
8. Remove the template.

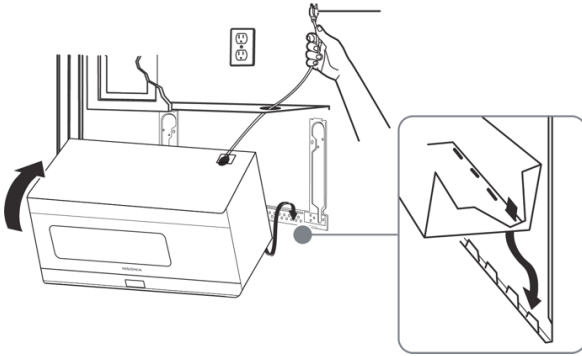


Recessed cabinet installations:

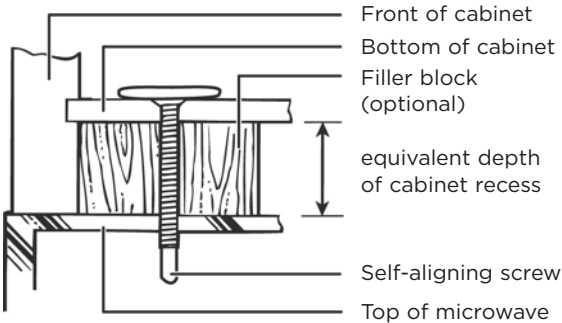
1. Follow steps 1 to 7 above.
2. Make two filler blocks out of scrap wood pieces the size of shaded areas H. They must be as thick as the depth of the cabinet recess
3. Drill $\frac{5}{8}$ " holes in the filler blocks to align with points A and B.
4. Align the blocks with the corresponding holes in the cabinet. They should be at the same level as the bottom edge of the cabinet frame.
5. Remove the template.

OPTION C: RECIRCULATED INSTALLATION

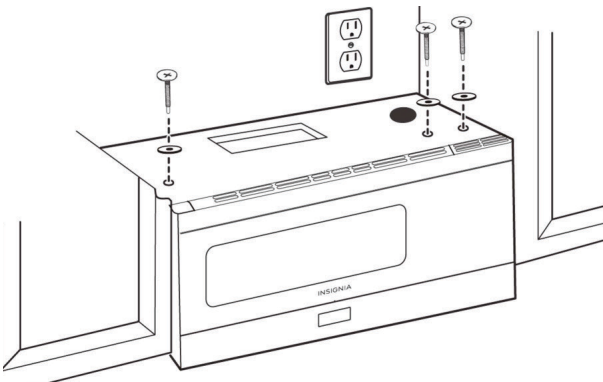
MOUNT THE MICROWAVE



1. If your cabinet is metal, insert the nylon grommet into the power cord hole to prevent cutting the cord.
2. Lift the microwave, tilt it forward, and hook the slots on the back bottom edge onto the four lower tabs of the mounting plate. Rotate the front of the microwave up against the bottom of the cabinet.



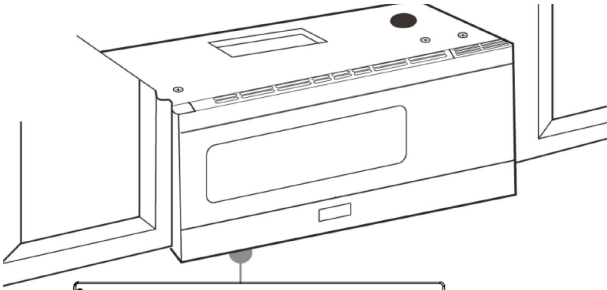
3. Insert a self-aligning screw through the top-center cabinet hole and rotate the screw at least two full turns.
4. Insert two self-aligning screws through the holes you drilled in the bottom of the cabinet. Turn each screw at least two full turns.



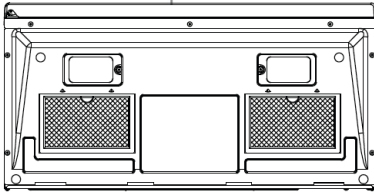
5. While holding the microwave up against the wall and cabinet, fully tighten the top-center machine screw, then fully tighten the outer two screws.

OPTION C: RECIRCULATED INSTALLATION

..... MOUNT THE MICROWAVE



6. Fit the two grease filters into the openings underneath your microwave.



BOTTOM VIEW

SPECIFICATIONS

Rated voltage	120 VAC, 60HZ
Rated input power	1500 W
Rated output power	1000 W
Microwave capacity	1.6 cu ft
Turntable diameter	13.5" (345mm)
External dim (WxHxD)	29 7/8" x 16 1/2" x 15 9/16" (759mm x 419mm x 395mm)
Internal dim (WxHxD)	20 1/4" x 9 1/4" x 14 13/32" (514mm x 235mm x 366mm)
Certifications	UL approved
Power cord length	3.3 ft (1m)
Net weight	56lbs (25.4kg)

INSTALLER CHECKLIST

- Make sure that all packing material has been removed from the microwave.
- Install the turntable and ring inside your microwave. See your User Guide for more information.
- Plug the power cord into a dedicated 15 amp electrical outlet.
- Turn your circuit breaker back on.

Complete and keep for safe reference:

Model _____

Serial no. _____

Purchase date _____

Purchaser _____

Dealer address _____

Installer's name _____

Installer's signature _____

Installation company _____

Installation date _____

FISHERPAYKEL.COM

© Fisher & Paykel Appliances 2024. All rights reserved.

The models shown in this guide may not be available in all markets
and are subject to change at any time.

The product specifications in this guide apply to the specific products and
models described at the date of issue. Under our policy of continuous product
improvement, these specifications may change at any time.

For current details about model and specification availability in your country,
please go to our website or contact your local Fisher & Paykel dealer.

432571A 08.24