

**FISHER & PAYKEL**

36" PROFESSIONAL  
RANGES & BACKGUARDS

---

RGV2-364GD, RGV2-366, RDV2-364GD, RDV2-366  
BGRV2-1236, BGRV2-3036, BGRV2-3036H models

PLANNING GUIDE

## CONTENTS

|   | PAGE |    |
|---|------|----|
|   | in   | mm |
| <hr/>   |      |    |
| <b>36" Professional Range</b><br><b>RGV2-364GD, RGV2-366 , RDV2-364GD, RDV2-366</b> |      |    |
| Key Design Decisions  | 5    | 17 |
| Ventilation Requirements  | 6    | 18 |
| <hr/>   |      |    |
| <b>36" Professional Range</b><br><b>RGV2-364GD, RDV2-364GD</b>                      |      |    |
| Product & Cavity Dimensions   | 7    | 19 |
| Clearance Dimensions  | 8    | 20 |
| Cavity Preparation  | 9    | 21 |
| <hr/>   |      |    |
| <b>36" Professional Range</b><br><b>RGV2-366, RDV2-366</b>                          |      |    |
| Product & Cavity Dimensions   | 10   | 22 |
| Clearance Dimensions  | 11   | 23 |
| Cavity Preparation  | 12   | 24 |
| <hr/>   |      |    |

**CONTENTS (continued)**

| <b>36" Professional Range Backguard<br/>BGRV2-1236</b>  | <b>PAGE</b> |           |
|---|-------------|-----------|
|   | <b>in</b>   | <b>mm</b> |
| Product Dimensions                                      |             |           |
| <hr/>   |             |           |
| <b>36" Professional Range Backguard<br/>BGRV2-3036</b>  |             |           |
| Product Dimensions                                      | 14          | 26        |
| <hr/>   |             |           |
| <b>36" Professional Range Backguard<br/>BGRV2-3036H</b> |             |           |
| Product Dimensions                                      | 15          | 27        |

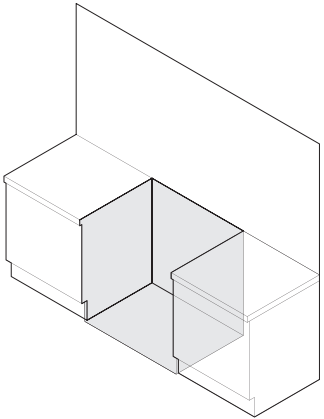
IMPERIAL

# FISHER & PAYKEL

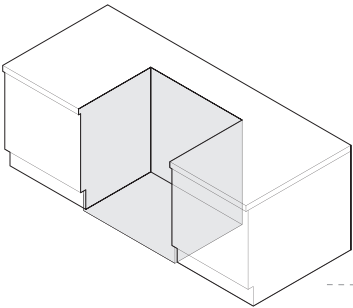
## KEY DESIGN DECISIONS 36" Professional Range

1

### INSTALL TYPE



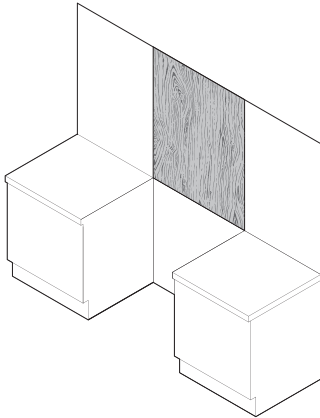
WALL



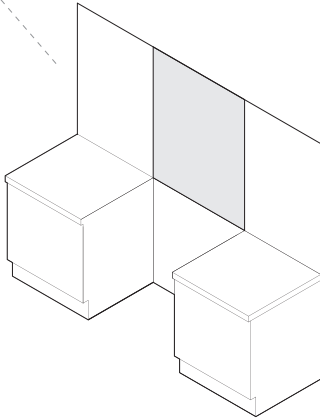
ISLAND

2

### REAR SURFACE



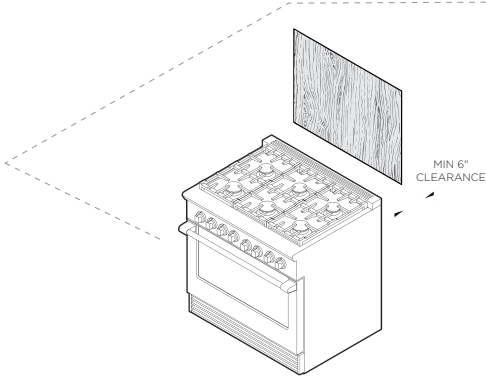
COMBUSTIBLE



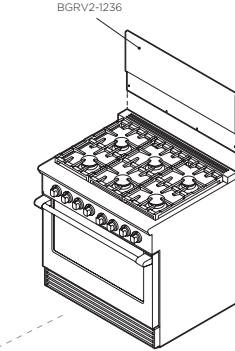
NON COMBUSTIBLE

3

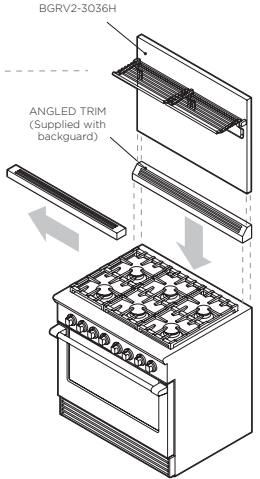
### BACKGUARD OPTIONS



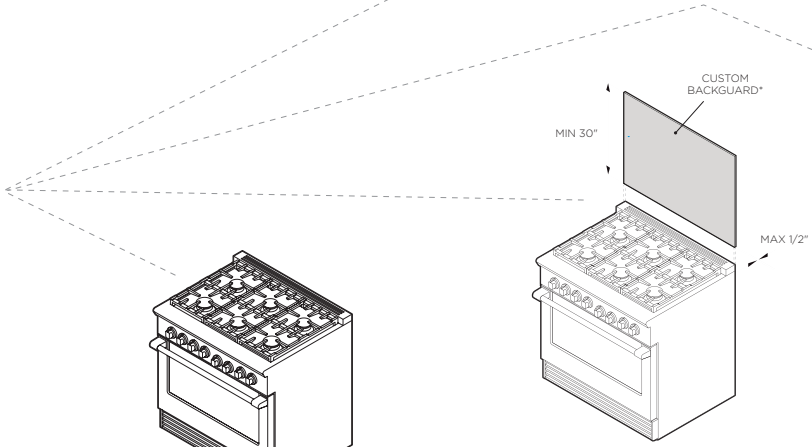
NO BACKGUARD



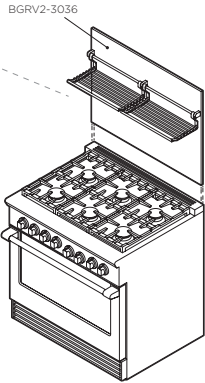
LOW THIN BACKGUARD



HIGH THICK BACKGUARD WITH ANGLED TRIM



CUSTOM FABRICATED\* BACKGUARD  
\*Fabricated from non combustible materials only



HIGH THIN BACKGUARD

Model no:  
**RGV2-364GD, RGV2-366**  
**RDV2-364GD, RDV2-366**

DATE: 24.04.2018

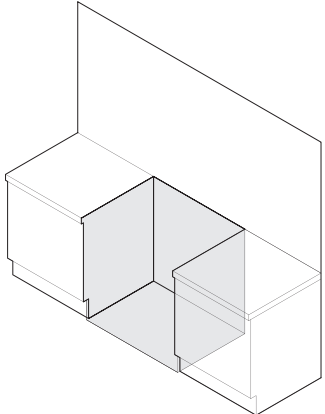
IMPORTANT: Throughout this guide, dimensions may vary by ±2mm (1/16"). Read the installation guide for detailed information on installing the product. For full installation instructions and specifications visit [fisherpaykel.com](http://fisherpaykel.com)

# FISHER & PAYKEL

## VENTILATION REQUIREMENTS 36" Professional Range

1

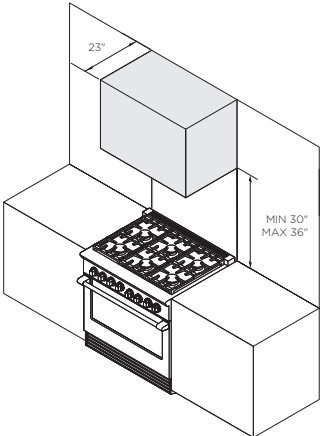
### INSTALL TYPE



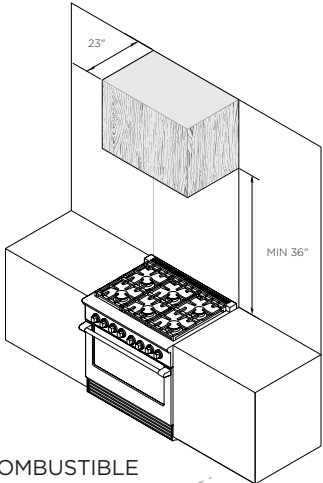
WALL

2

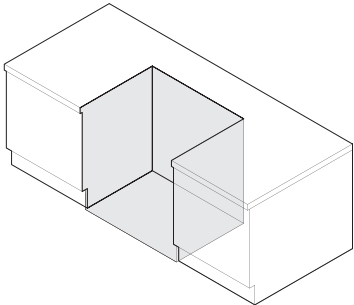
### HOOD SURROUND MATERIAL



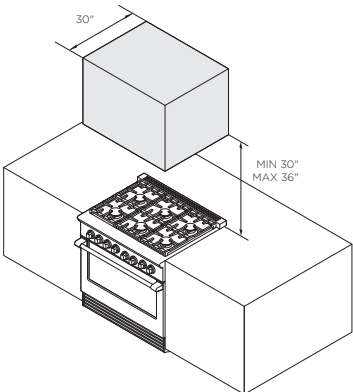
NON COMBUSTIBLE



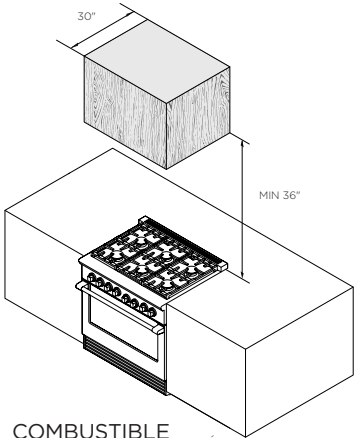
COMBUSTIBLE



ISLAND



NON COMBUSTIBLE



COMBUSTIBLE

Model no:  
**RGV2-364GD, RGV2-366**  
**RDV2-364GD, RDV2-366**

| Specifications          |                            |
|-------------------------|----------------------------|
| <b>Ventilation Unit</b> | <b>Wall Installation</b>   |
| Hood                    | 23" Deep x Unit Width      |
| Blower                  | 600-1200 CFM               |
| <b>Ventilation Unit</b> | <b>Island Installation</b> |
| Hood                    | 30" Deep x Unit Width      |
| Blower                  | 600-1200 CFM               |

Note: A suitable hood must be installed above the range. The above indicates the minimum blower capacity recommended for hood ventilation.

DATE: 24.04.2018

IMPORTANT: Throughout this guide, dimensions may vary by ±2mm (1/16"). Read the installation guide for detailed information on installing the product. For full installation instructions and specifications visit [fisherpaykel.com](http://fisherpaykel.com)

# FISHER & PAYKEL

## PRODUCT & CAVITY DIMENSIONS 36" Professional Range

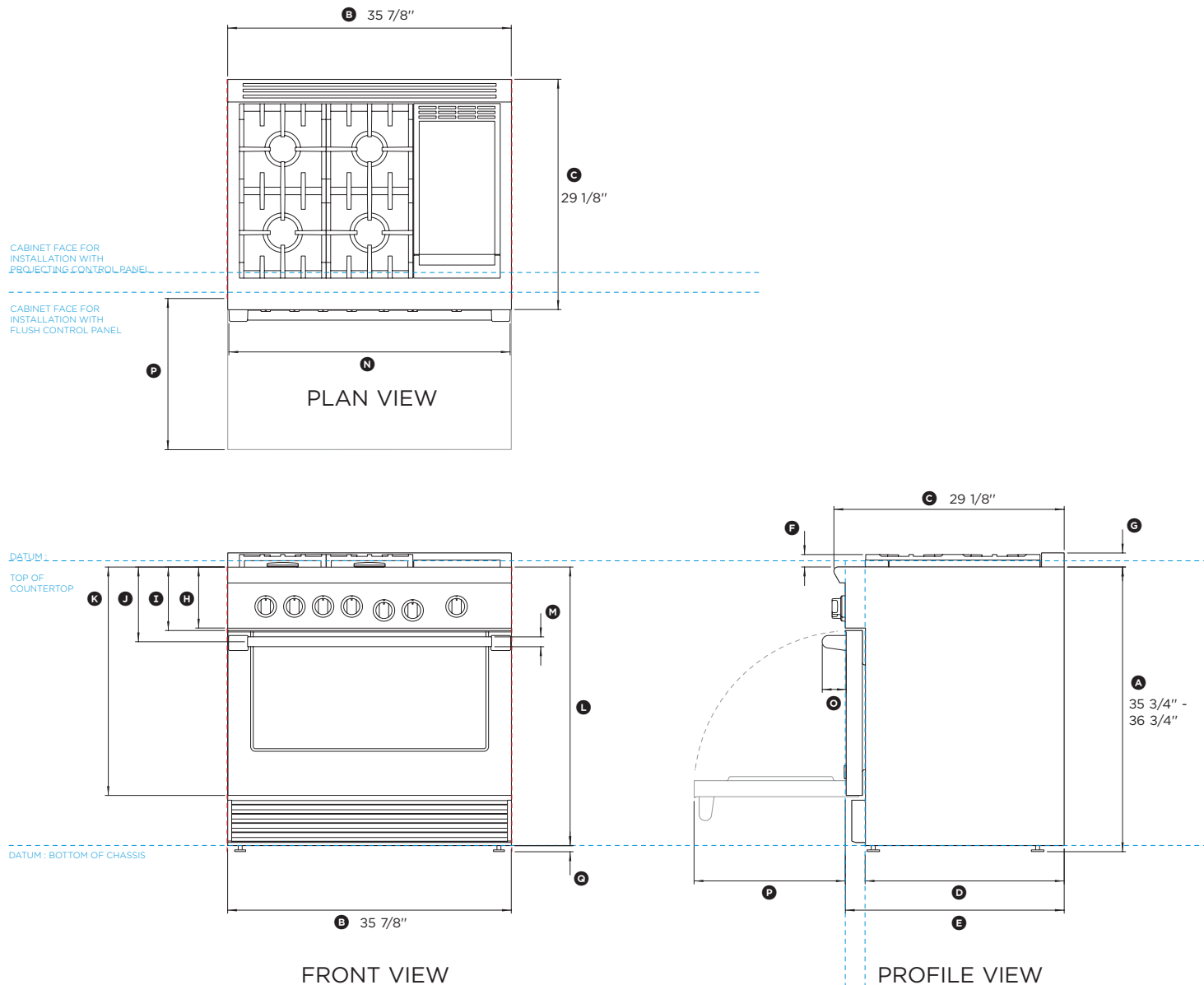
Model no:

**RGV2-364GD-N, RGV2-364GD-L**

**RDV2-364GD-N, RDV2-364GD-L**

| Product Dimensions  | in                         |
|---|----------------------------|
| Ⓐ Overall height of range (from floor to cooktop, excluding grates and vent trim) | min 35 3/4"<br>max 36 3/4" |
| Ⓑ Overall width of range  | 35 7/8"                    |
| Ⓒ Overall depth of range (excluding handle and dials)                             | 29 1/8"                    |
| Ⓓ Depth from rear of chassis to cabinetry face - projecting                       | 25 1/8"                    |
| Ⓔ Depth from rear of chassis to cabinetry face - flush                            | 27 11/16"                  |
| Ⓕ Height from countertop to top of pan supports                                   | 1 9/16"                    |
| Ⓖ Height from countertop to top of vent trim                                      | 1 3/4"                     |
| Ⓗ Height from countertop to bottom of control panel                               | 7 3/4"                     |
| Ⓘ Height from countertop to top of door   | 8 1/16"                    |
| Ⓚ Height from countertop to center of handle                                      | 9 7/16"                    |
| Ⓛ Height from countertop to bottom of door  | 28 7/8"                    |
| Ⓜ Height from countertop to bottom of chassis                                     | 35 1/4"                    |
| Ⓝ Thickness of handle (not including standoffs)                                   | 1 1/4"                     |
| Ⓞ Width of handle (including standoffs)   | 35 9/16"                   |
| Ⓟ Depth of handle (measured from front of door)                                   | 3 1/16"                    |
| Ⓠ Depth of open door to cabinetry face - flush                                    | 19 1/8"                    |
| Ⓡ Adjustable feet height  | min 1/2"<br>max 1 1/2"     |

| Cavity Dimensions                                    | in                         |
|--|----------------------------|
| Overall height of cavity                             | min 35 3/4"<br>max 36 3/4" |
| Overall width of cavity                              | min 36"                    |
| Overall depth of cavity for projecting control panel | max 25 1/8"                |
| Overall depth of cavity for flush control panel      | max 27 11/16"              |



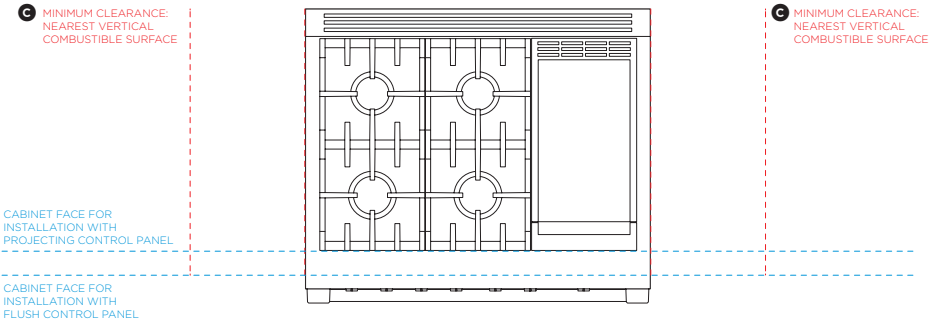
INDICATES PRODUCT DATUM -----

DATE: **24.04.2018**

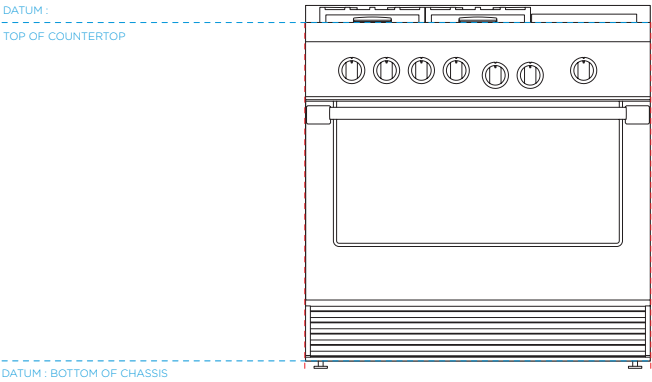
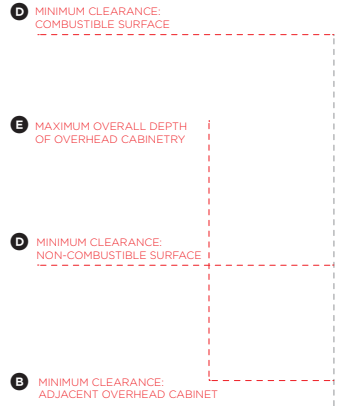
IMPORTANT: Throughout this guide, dimensions may vary by  $\pm 2\text{mm}$  (1/16"). Read the installation guide for detailed information on installing the product. For full installation instructions and specifications visit [fisherpaykel.com](http://fisherpaykel.com)

# FISHER & PAYKEL

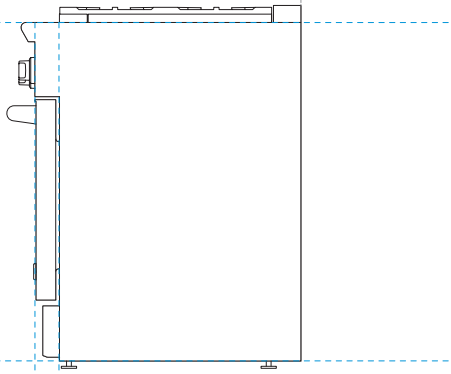
## CLEARANCE DIMENSIONS 36" Professional Range



PLAN VIEW



FRONT VIEW



PROFILE VIEW

Model no:  
**RGV2-364GD-N, RGV2-364GD-L**  
**RDV2-364GD-N, RDV2-364GD-L**

| Clearance Dimensions   | in         |
|--|------------|
| Ⓐ Minimum width of ventilation hood installed above range - not shown*   | 36"        |
| ⓑ Minimum vertical distance between countertop and cabinet extending above counter   | 18"        |
| ⓒ Minimum clearance from left and right edge of range to nearest vertical combustible surface  | 12"        |
| ⓓ Minimum clearance from cooking surface to:<br>- combustible surface centered above the cooking surface<br>- non-combustible surface centered above the cooking surface | 54"<br>30" |
| ⓔ Maximum overall depth of overhead cabinetry  | 13"        |

INDICATES CABINETRY CLEARANCES - - - - -  
INDICATES PRODUCT DATUM - - - - -



DATE: **24.04.2018**

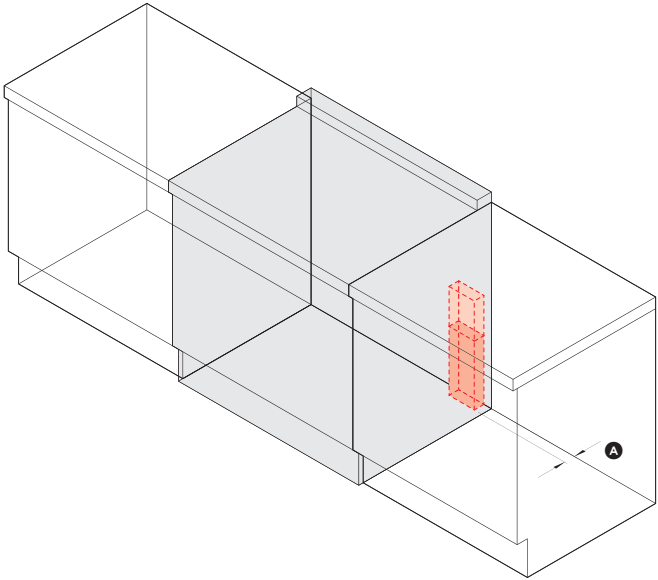
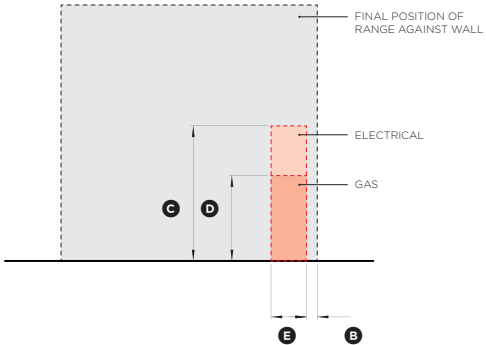
IMPORTANT: Throughout this guide, dimensions may vary by ±2mm (1/16"). Read the installation guide for detailed information on installing the product. For full installation instructions and specifications visit [fisherpaykel.com](http://fisherpaykel.com)



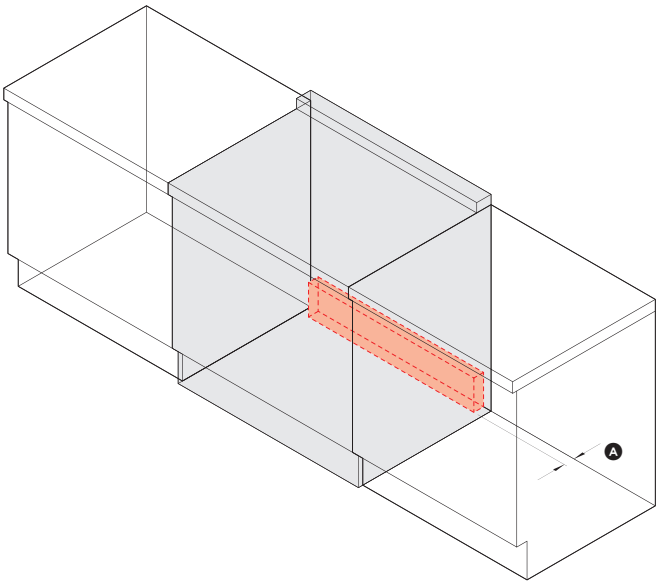
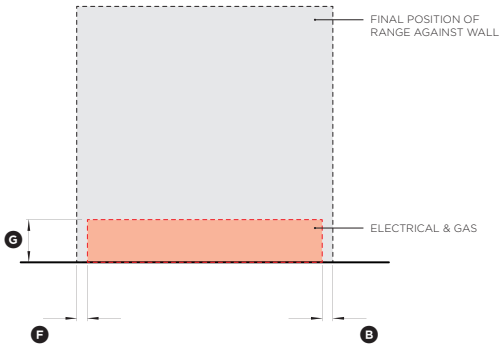
# FISHER & PAYKEL

## CAVITY PREPARATION 36" Professional Range

### RGV models



### RDV models



Model no:  
**RGV2-364GD-N, RGV2-364GD-L**  
**RDV2-364GD-N, RDV2-364GD-L**

| Location of Electrical and Gas Supply                                      | in     |
|--|--------|
| Ⓐ Depth of supply area (ie maximum protrusion of gas connection from wall) | 2"     |
| Ⓑ Distance from right hand edge of range to supply area                    | 1 1/2" |
| Ⓒ (RGV) Height of electrical supply area (from floor)                      | 19"    |
| Ⓓ (RGV) Height of gas supply area (from floor)                             | 12"    |
| Ⓔ (RGV) Width of supply area   | 5"     |
| Ⓕ (RDV) Distance from left hand edge of range to supply area               | 1 1/2" |
| Ⓖ (RDV) Height of electrical and gas supply area (from floor)              | 6"     |

| Specifications    |                   |
|-------------------|-------------------|
| Electrical        | RGV Models        |
| Supply            | 120 VAC, 60Hz     |
| Max. Current Draw | 8 amp             |
| Service           | 15 amp circuit    |
| Electrical        | RDV Models        |
| Supply            | 120/240 VAC, 60Hz |
| Max. Current Draw | 21 amp            |
| Service           | 30 amp circuit    |

| Gas - Natural    |                                      |
|------------------|--------------------------------------|
| Connection       | 1/2" NPT Minimum 5/8" dia. flex line |
| Supply Pressure  | Supply Pressure: 6" to 9" W.C.       |
| Gas - LP         |                                      |
| Connection       | 1/2" NPT Minimum 5/8" dia. flex line |
| Supply Pressure* | 11" to 14" W.C.                      |

A regulator is required at the LP source to provide a maximum pressure of 14" W.C. to the range regulator.

DATE: 24.04.2018

IMPORTANT: Throughout this guide, dimensions may vary by ±2mm (1/16"). Read the installation guide for detailed information on installing the product. For full installation instructions and specifications visit [fisherpaykel.com](http://fisherpaykel.com)

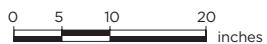
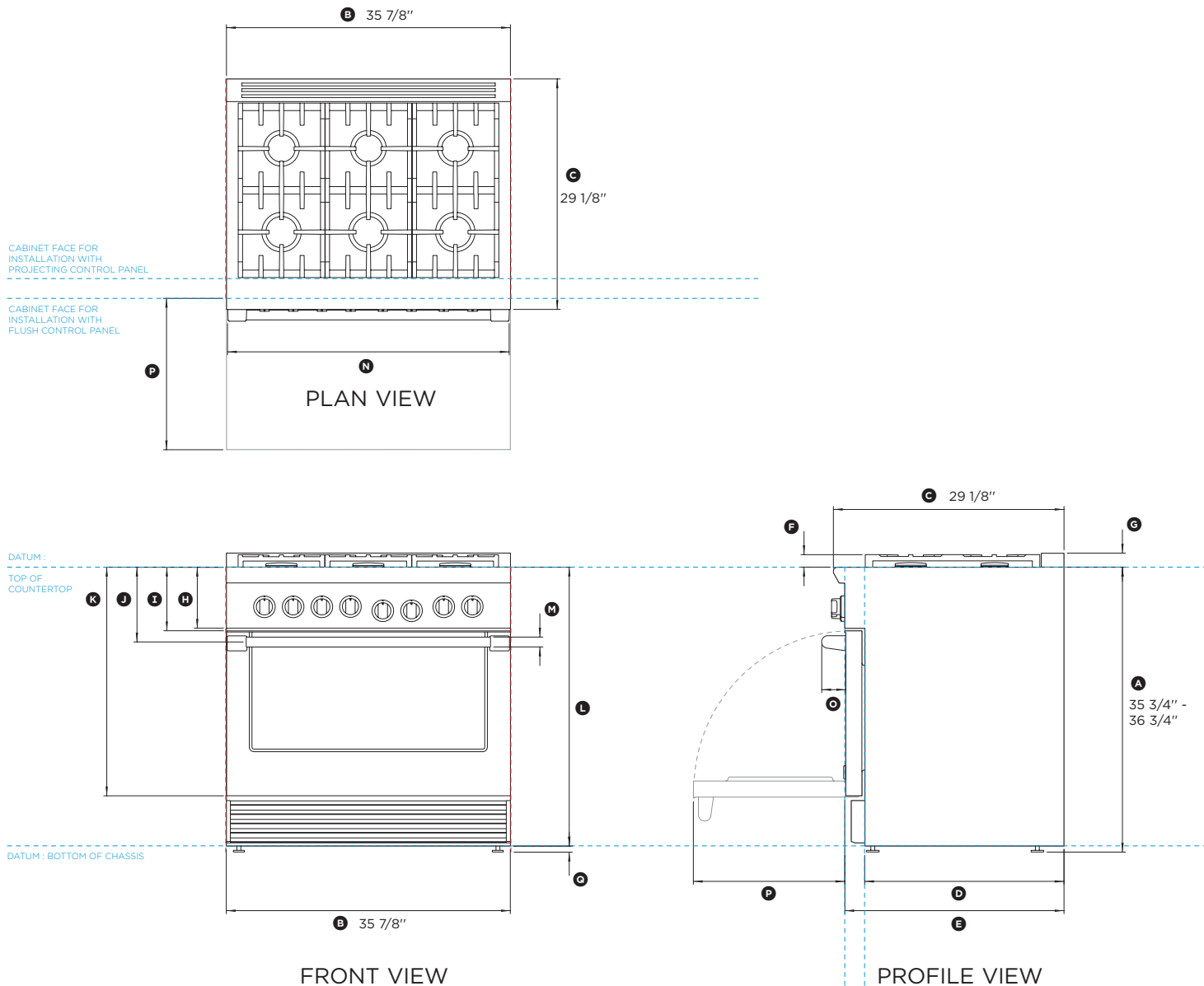
# FISHER & PAYKEL

## PRODUCT & CAVITY DIMENSIONS 36" Professional Range

Model no:

**RGV2-366-N, RGV2-366-L**

**RDV2-366-N, RDV2-366-L**



| Product Dimensions  | in                         |
|---|----------------------------|
| Ⓐ Overall height of range (from floor to cooktop, excluding grates and vent trim) | min 35 3/4"<br>max 36 3/4" |
| Ⓑ Overall width of range  | 35 7/8"                    |
| Ⓒ Overall depth of range (excluding handle and dials)                             | 29 1/8"                    |
| Ⓓ Depth from rear of chassis to cabinetry face - projecting                       | 25 1/8"                    |
| Ⓔ Depth from rear of chassis to cabinetry face - flush                            | 27 11/16"                  |
| Ⓕ Height from countertop to top of pan supports                                   | 1 9/16"                    |
| Ⓖ Height from countertop to top of vent trim                                      | 1 3/4"                     |
| Ⓗ Height from countertop to bottom of control panel                               | 7 3/4"                     |
| Ⓙ Height from countertop to top of door   | 8 1/16"                    |
| Ⓚ Height from countertop to center of handle                                      | 9 7/16"                    |
| Ⓛ Height from countertop to bottom of door  | 28 7/8"                    |
| Ⓜ Height from countertop to bottom of chassis                                     | 35 1/4"                    |
| Ⓝ Thickness of handle (not including standoffs)                                   | 1 1/4"                     |
| Ⓟ Width of handle (including standoffs)   | 35 9/16"                   |
| Ⓠ Depth of handle (measured from front of door)                                   | 3 1/16"                    |
| Ⓡ Depth of open door to cabinetry face - flush                                    | 19 1/8"                    |
| Ⓢ Adjustable feet height  | min 1/2"<br>max 1 1/2"     |

| Cavity Dimensions                                    | in                         |
|--|----------------------------|
| Overall height of cavity                             | min 35 3/4"<br>max 36 3/4" |
| Overall width of cavity                              | min 36"                    |
| Overall depth of cavity for projecting control panel | max 25 1/8"                |
| Overall depth of cavity for flush control panel      | max 27 11/16"              |

INDICATES PRODUCT DATUM

DATE: 24.04.2018

IMPORTANT: Throughout this guide, dimensions may vary by  $\pm 2\text{mm}$  (1/16"). Read the installation guide for detailed information on installing the product. For full installation instructions and specifications visit [fisherpaykel.com](http://fisherpaykel.com)

# FISHER & PAYKEL

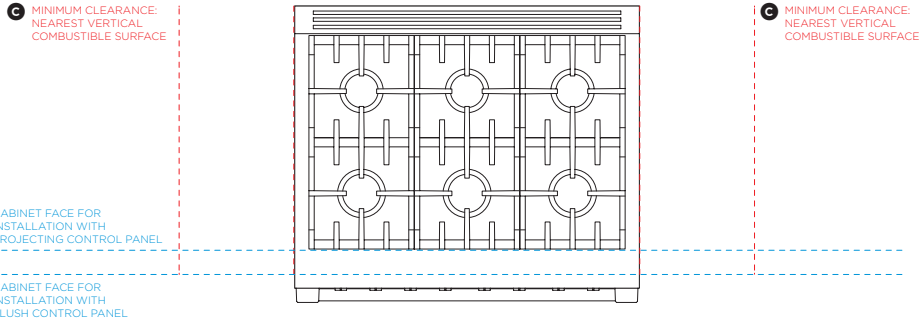
## CLEARANCE DIMENSIONS 36" Professional Range

Model no:

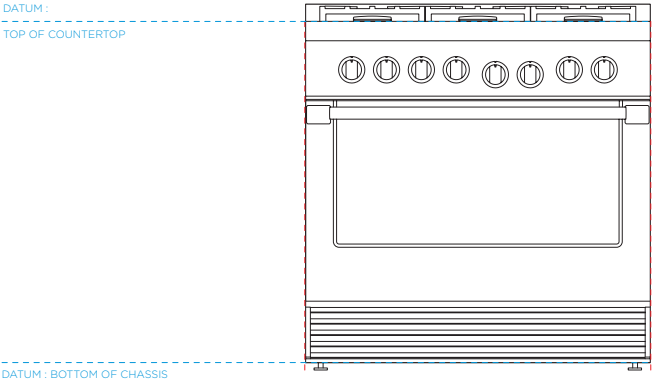
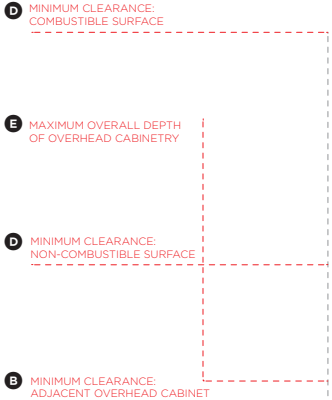
**RGV2-366-N, RGV2-366-L**

**RDV2-366-N, RDV2-366-L**

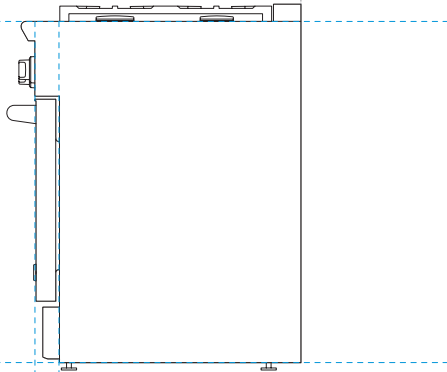
| Clearance Dimensions   | in         |
|--|------------|
| Ⓐ Minimum width of ventilation hood installed above range<br>- not shown*  | 36"        |
| Ⓑ Minimum vertical distance between countertop and cabinet<br>extending above counter  | 18"        |
| Ⓒ Minimum clearance from left and right edge of range to<br>nearest vertical combustible surface   | 12"        |
| Ⓓ Minimum clearance from cooking surface to:<br>- combustible surface centered above the cooking surface<br>- non-combustible surface centered above the cooking surface | 54"<br>30" |
| Ⓔ Maximum overall depth of overhead cabinetry  | 13"        |



PLAN VIEW



FRONT VIEW



PROFILE VIEW



INDICATES CABINETRY CLEARANCES - - - - -  
INDICATES PRODUCT DATUM - - - - -

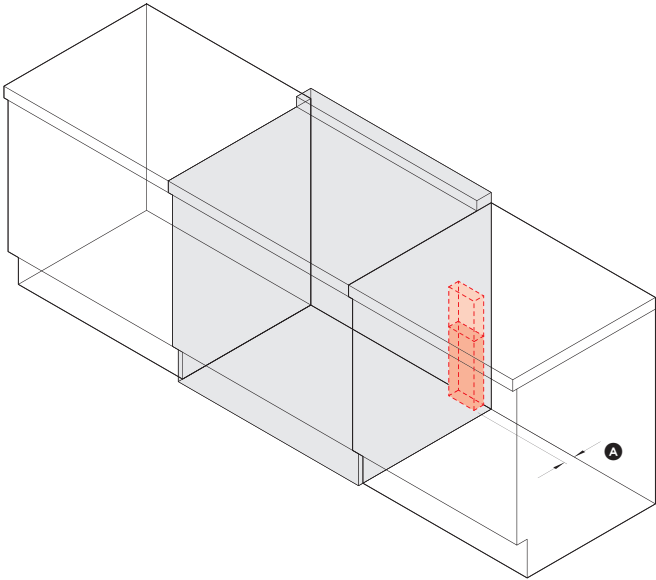
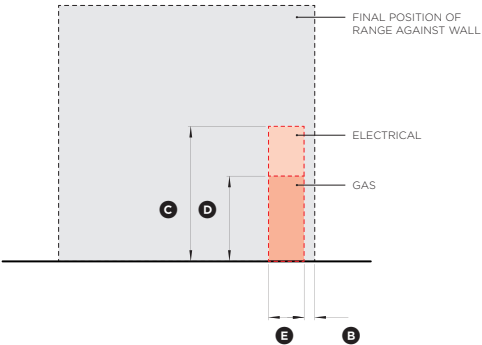
DATE: **24.04.2018**

IMPORTANT: Throughout this guide, dimensions may vary by ±2mm (1/16"). Read the installation guide for detailed information on installing the product. For full installation instructions and specifications visit [fisherpaykel.com](http://fisherpaykel.com)

# FISHER & PAYKEL

## CAVITY PREPARATION 36" Professional Range

### RGV models



Model no:

**RGV2-366-N, RGV2-366-L**

**RDV2-366-N, RDV2-366-L**

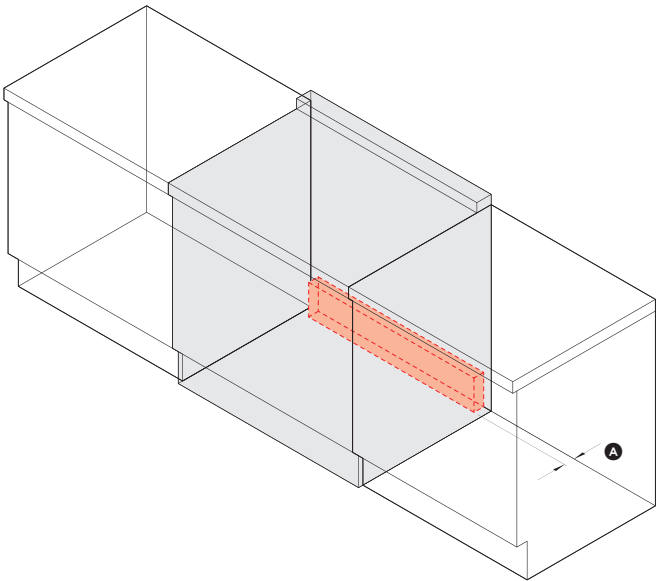
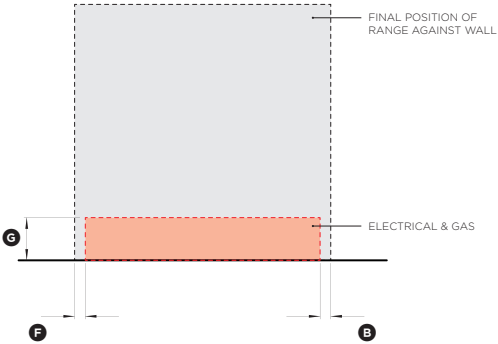
| Location of Electrical and Gas Supply                                      | in     |
|--|--------|
| Ⓐ Depth of supply area (ie maximum protrusion of gas connection from wall) | 2"     |
| Ⓑ Distance from right hand edge of range to supply area                    | 1 1/2" |
| Ⓒ (RGV) Height of electrical supply area (from floor)                      | 19"    |
| Ⓓ (RGV) Height of gas supply area (from floor)                             | 12"    |
| Ⓔ (RGV) Width of supply area   | 5"     |
| Ⓒ (RDV) Distance from left hand edge of range to supply area               | 1 1/2" |
| Ⓓ (RDV) Height of electrical and gas supply area (from floor)              | 6"     |

| Specifications    |                   |
|-------------------|-------------------|
| Electrical        | RGV Models        |
| Supply            | 120 VAC, 60Hz     |
| Max. Current Draw | 5 amp             |
| Service           | 15 amp circuit    |
| Electrical        | RDV Models        |
| Supply            | 120/240 VAC, 60Hz |
| Max. Current Draw | 18 amp            |
| Service           | 30 amp circuit    |

| Gas - Natural    |                                      |
|------------------|--------------------------------------|
| Connection       | 1/2" NPT Minimum 5/8" dia. flex line |
| Supply Pressure  | Supply Pressure: 6" to 9" W.C.       |
| Gas - LP         |                                      |
| Connection       | 1/2" NPT Minimum 5/8" dia. flex line |
| Supply Pressure* | 11" to 14" W.C.                      |

A regulator is required at the LP source to provide a maximum pressure of 14" W.C. to the range regulator.

### RDV models

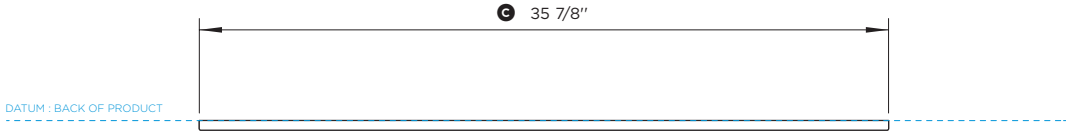
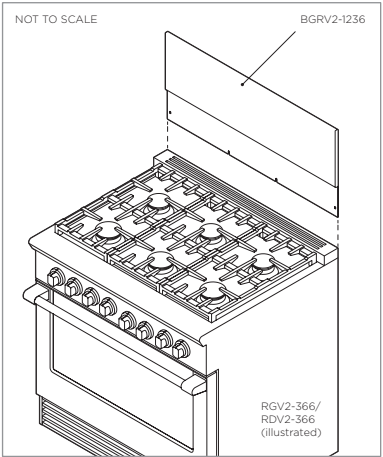


DATE: 24.04.2018

IMPORTANT: Throughout this guide, dimensions may vary by ±2mm (1/16"). Read the installation guide for detailed information on installing the product. For full installation instructions and specifications visit [fisherpaykel.com](http://fisherpaykel.com)

# FISHER & PAYKEL

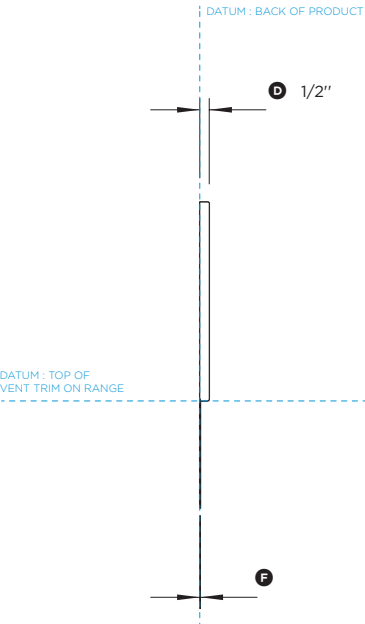
## PRODUCT DIMENSIONS 36" Professional Range Backguard



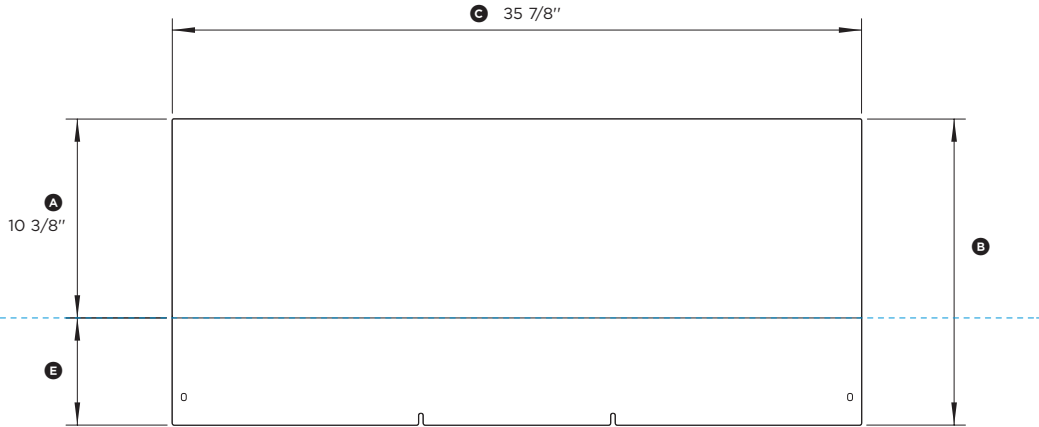
PLAN VIEW

Model no:  
**BGRV2-1236**

| Product Dimensions                             | in        |
|--|-----------|
| Ⓐ Height of backguard above vent trim on range | 10 3/8"   |
| Ⓑ Overall height of backguard                  | 15 15/16" |
| Ⓒ Overall width of backguard                   | 35 7/8"   |
| Ⓓ Overall depth of backguard                   | 1/2"      |
| Ⓔ Height of backguard below vent trim on range | 5 9/16"   |
| Ⓕ Depth of backguard below vent trim on range  | 1/16"     |

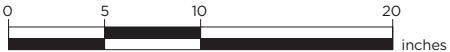


PROFILE VIEW



FRONT VIEW

INDICATES PRODUCT DATUM -----

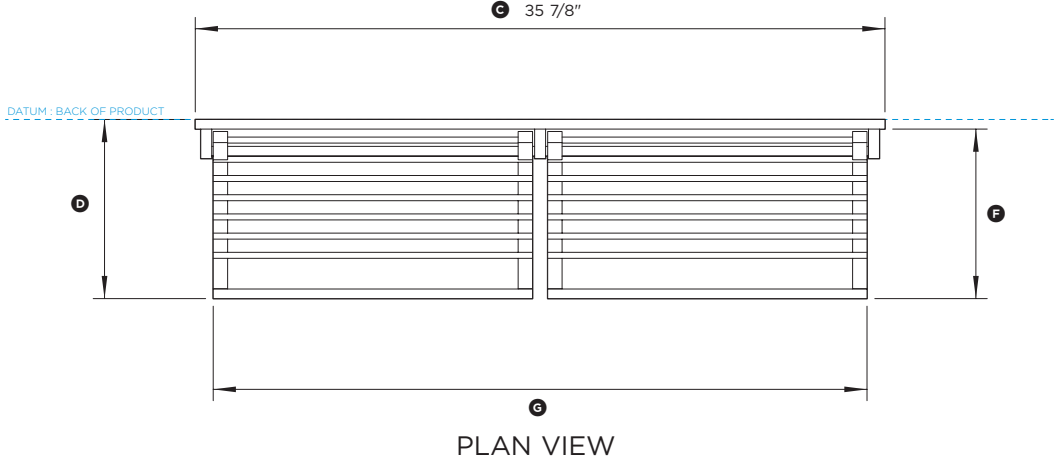
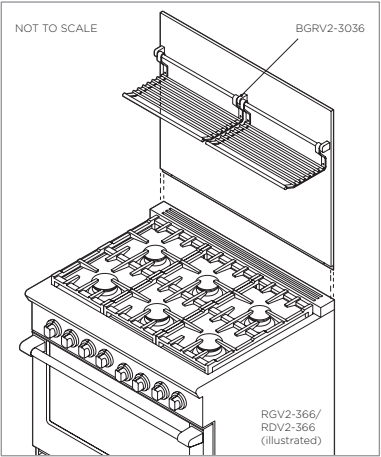


DATE: **24.04.2018**

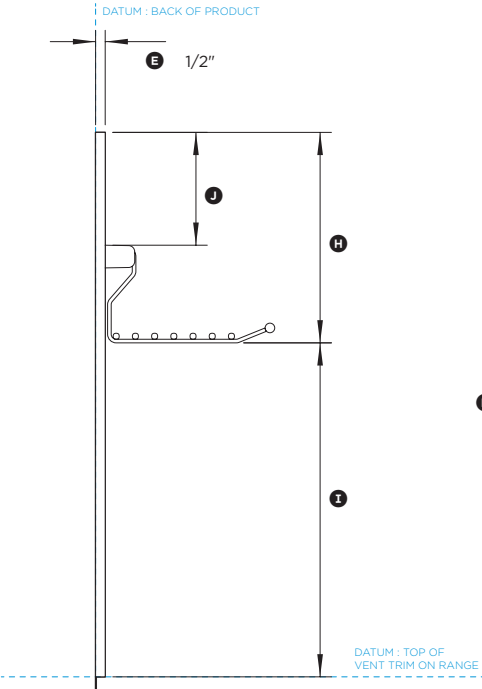
IMPORTANT: Throughout this guide, dimensions may vary by ±2mm (1/16"). Read the installation guide for detailed information on installing the product. For full installation instructions and specifications visit [fisherpaykel.com](http://fisherpaykel.com)

# FISHER & PAYKEL

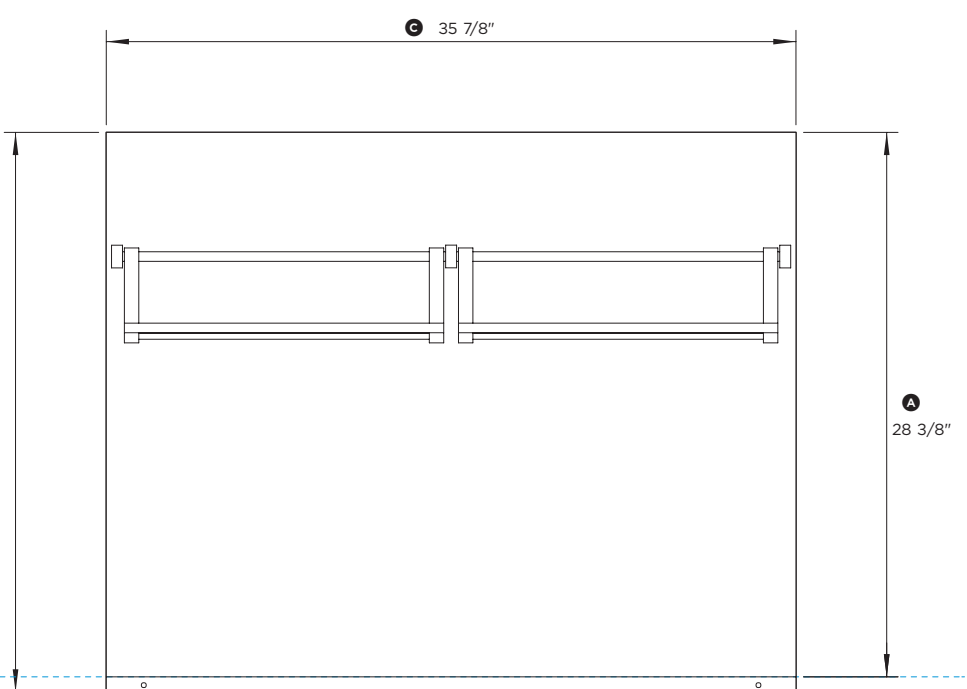
## PRODUCT DIMENSIONS 36" Professional Range Backguard



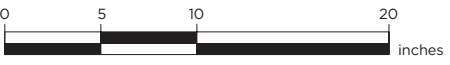
PLAN VIEW



PROFILE VIEW



FRONT VIEW



Model no:  
**BGRV2-3036**

| Product Dimensions                                     | in        |
|--|-----------|
| Ⓐ Height of backguard above vent trim on range         | 28 3/8"   |
| Ⓑ Overall height of backguard                          | 29 1/8"   |
| Ⓒ Overall width of backguard                           | 35 7/8"   |
| Ⓓ Overall depth of backguard and racks                 | 9 5/16"   |
| Ⓔ Depth of backguard                                   | 1/2"      |
| Ⓕ Depth of racks                                       | 8 13/16"  |
| Ⓖ Width of racks                                       | 34"       |
| Ⓗ Distance from top of backguard to bottom of racks    | 10 15/16" |
| Ⓙ Distance from bottom of backguard to bottom of racks | 17 3/8"   |
| Ⓚ Distance from top of backguard to top of brackets    | 5 7/8"    |
| Ⓛ Height of backguard below vent trim on range         | 13/16"    |
| Ⓜ Depth of backguard below vent trim on range          | 1/16"     |

INDICATES PRODUCT DATUM -----

DATE: **24.04.2018**

IMPORTANT: Throughout this guide, dimensions may vary by ±2mm (1/16"). Read the installation guide for detailed information on installing the product. For full installation instructions and specifications visit [fisherpaykel.com](http://fisherpaykel.com)

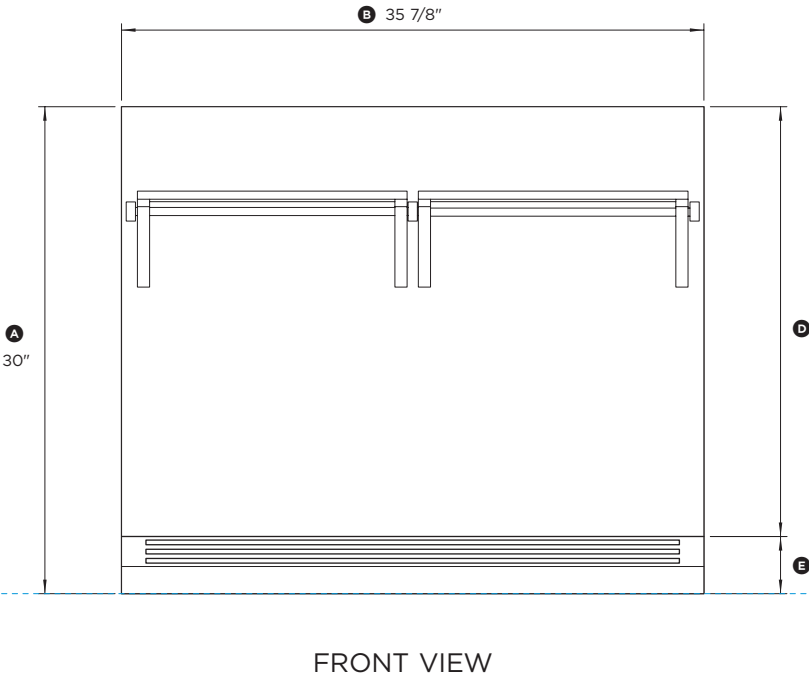
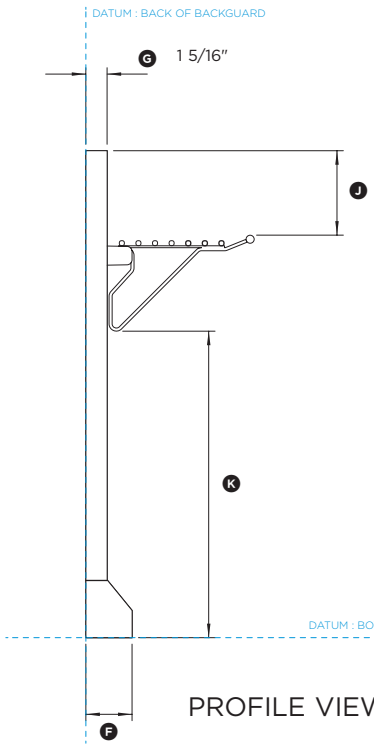
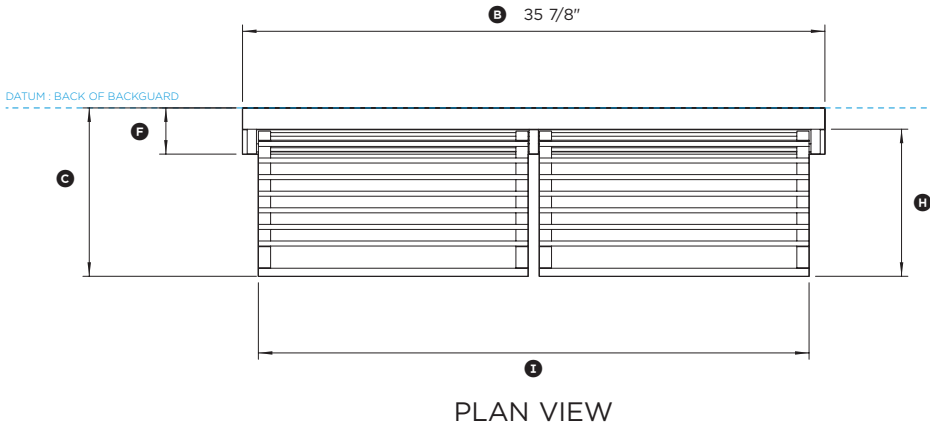
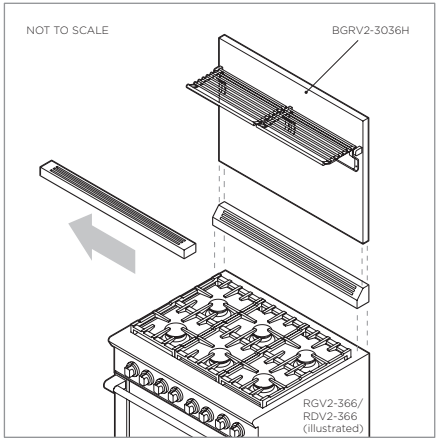
# FISHER & PAYKEL

## PRODUCT DIMENSIONS 36" Professional Range Backguard with Angled Vent Trim

Model no:  
**BGRV2-3036H**

| Product Dimensions  | in        |
|---|-----------|
| Ⓐ Overall height of backguard with angled vent trim           | 30"       |
| Ⓑ Overall width of backguard                                  | 35 7/8"   |
| Ⓒ Overall depth of backguard and racks                        | 10 3/8"   |
| Ⓓ Height of backguard   | 26 1/2"   |
| Ⓔ Height of angled vent trim                                  | 3 1/2"    |
| Ⓕ Depth of angled vent trim                                   | 2 7/8"    |
| Ⓖ Depth of backguard  | 1 5/16"   |
| Ⓜ Depth of racks  | 9 1/16"   |
| Ⓝ Width of racks  | 33 15/16" |
| Ⓗ Distance from top of backguard to top of racks              | 5 3/8"    |
| Ⓢ Distance from bottom of angled vent trim to bottom of racks | 18 7/8"   |

Note: Angled vent trim supplied with BGRV2-3036H.  
Remove flat vent trim and replace with angled vent trim.



INDICATES PRODUCT DATUM -----



DATE: **24.04.2018**

IMPORTANT: Throughout this guide, dimensions may vary by ±2mm (1/16").  
Read the installation guide for detailed information on installing the product.  
For full installation instructions and specifications visit [fisherpaykel.com](http://fisherpaykel.com)

METRIC

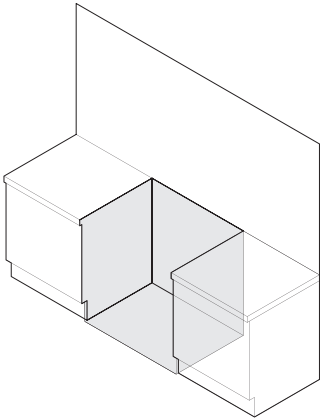


# FISHER & PAYKEL

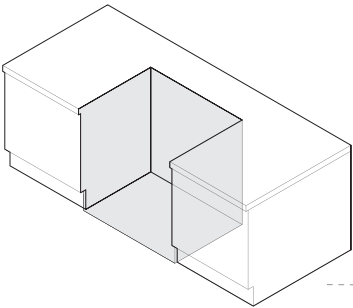
## KEY DESIGN DECISIONS 36" Professional Range

1

### INSTALL TYPE



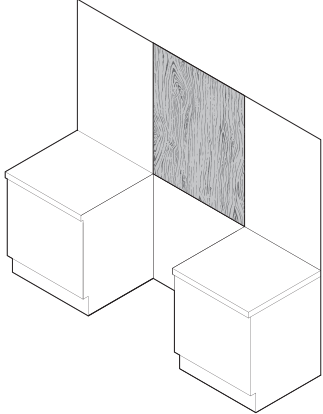
WALL



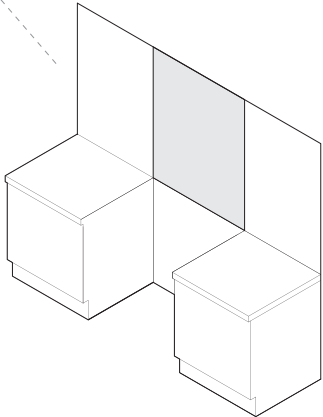
ISLAND

2

### REAR SURFACE



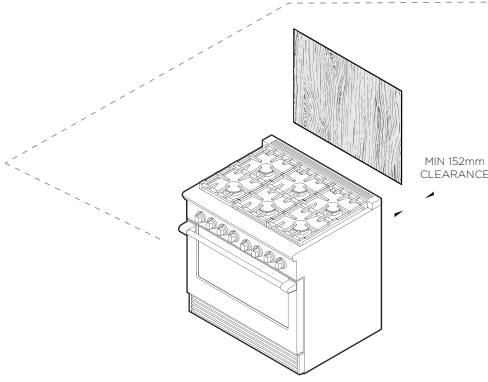
COMBUSTIBLE



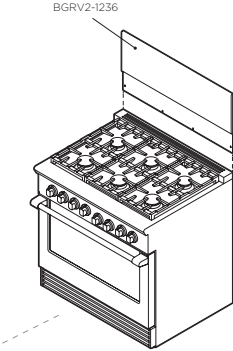
NON COMBUSTIBLE

3

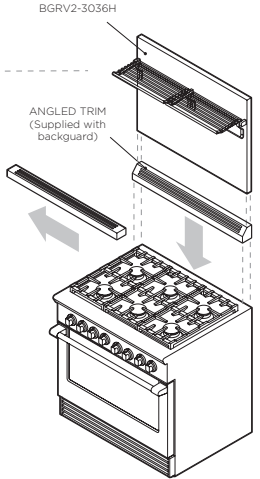
### BACKGUARD OPTIONS



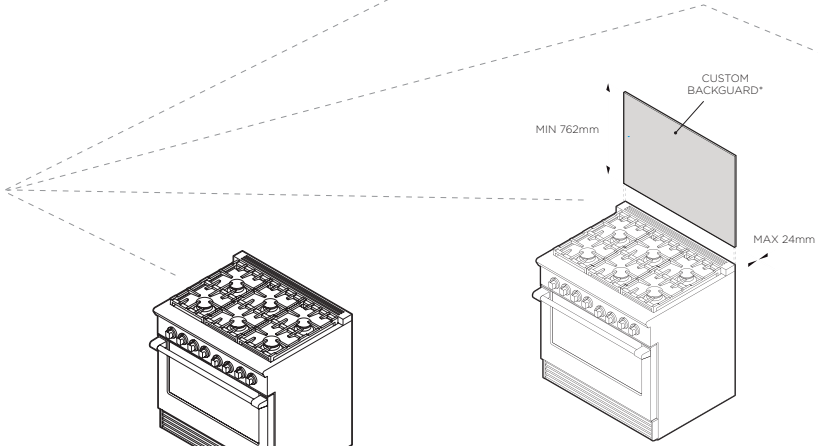
NO BACKGUARD



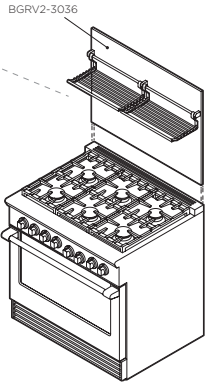
LOW THIN BACKGUARD



HIGH THICK BACKGUARD  
WITH ANGLED TRIM



CUSTOM FABRICATED\* BACKGUARD  
\*Fabricated from non combustible materials only



HIGH THIN BACKGUARD

Model no:  
**RGV2-364GD, RGV2-366**  
**RDV2-364GD, RDV2-366**

DATE: 24.04.2018

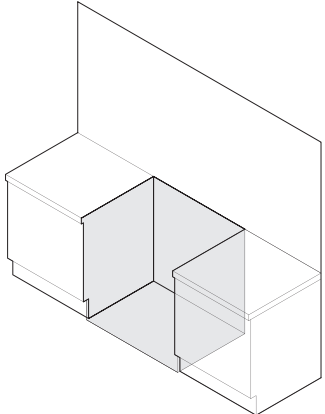
IMPORTANT: Throughout this guide, dimensions may vary by ±2mm (1/16"). Read the installation guide for detailed information on installing the product. For full installation instructions and specifications visit [fisherpaykel.com](http://fisherpaykel.com)

# FISHER & PAYKEL

## VENTILATION REQUIREMENTS 36" Professional Range

1

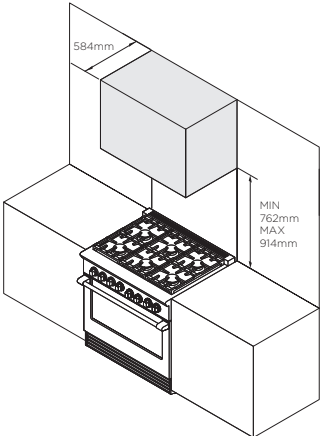
### INSTALL TYPE



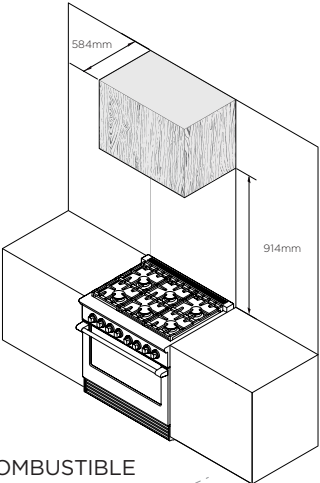
WALL

2

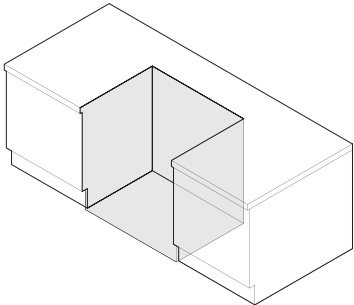
### HOOD SURROUND MATERIAL



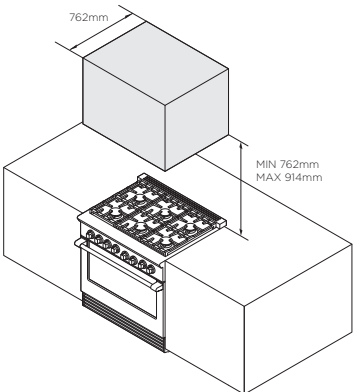
NON COMBUSTIBLE



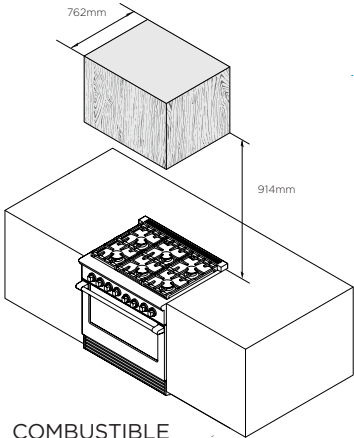
COMBUSTIBLE



ISLAND



NON COMBUSTIBLE



COMBUSTIBLE

Model no:  
**RGV2-364GD, RGV2-366**  
**RDV2-364GD, RDV2-366**

**Specifications**

| Ventilation Unit | Wall Installation       |
|------------------|-------------------------|
| Hood             | 584mm Deep x Unit Width |
| Blower           | 600-1200 CFM            |
| Ventilation Unit | Island Installation     |
| Hood             | 762mm Deep x Unit Width |
| Blower           | 600-1200 CFM            |

Note: A suitable hood must be installed above the range. The above indicates the minimum blower capacity recommended for hood ventilation.

DATE: 24.04.2018

IMPORTANT: Throughout this guide, dimensions may vary by ±2mm (1/16"). Read the installation guide for detailed information on installing the product. For full installation instructions and specifications visit [fisherpaykel.com](http://fisherpaykel.com)

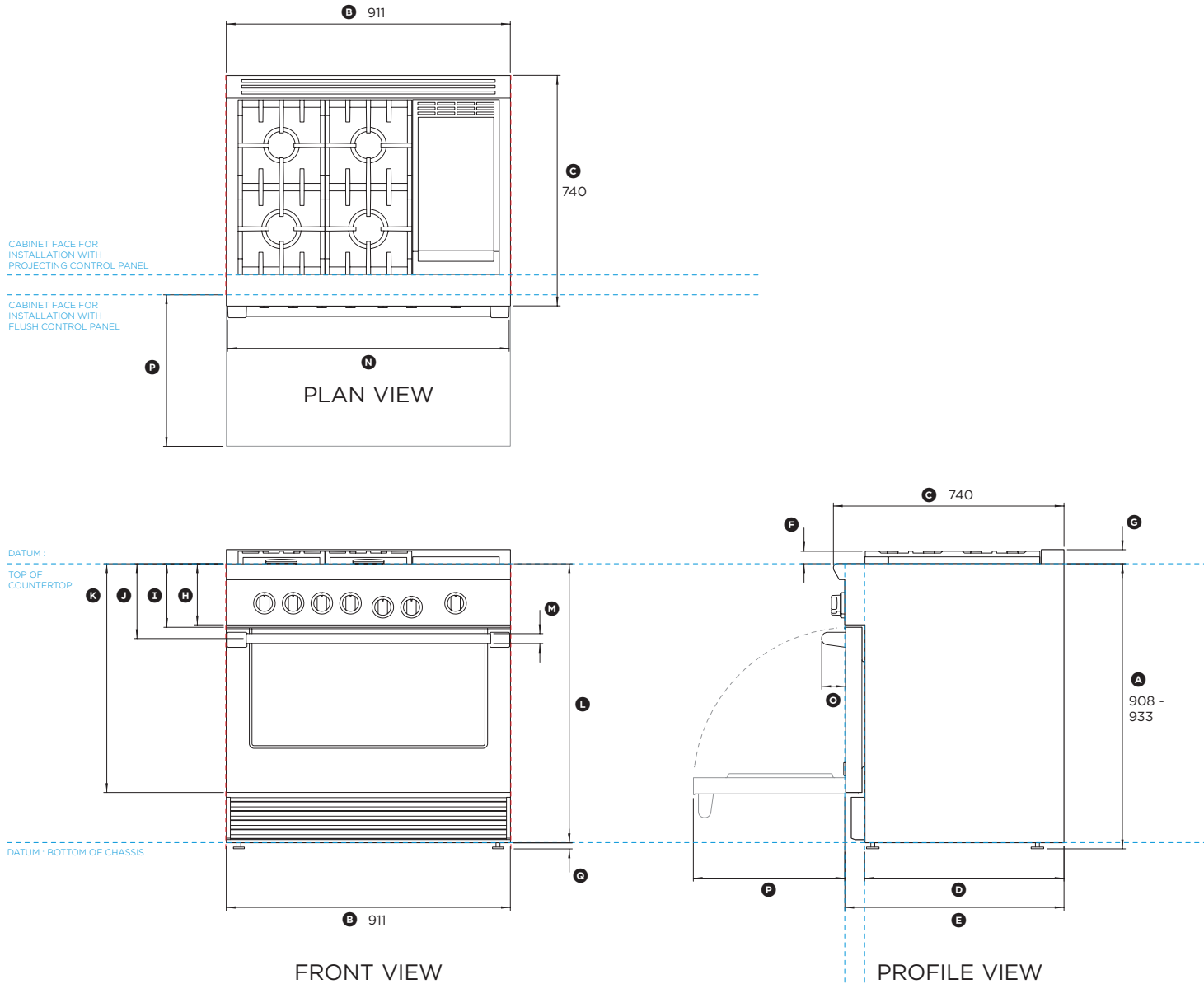
# FISHER & PAYKEL

## PRODUCT & CAVITY DIMENSIONS 36" Professional Range

Model no:

**RGV2-364GD-N, RGV2-364GD-L**

**RDV2-364GD-N, RDV2-364GD-L**



CABINET FACE FOR INSTALLATION WITH FLUSH CONTROL PANEL

CABINET FACE FOR INSTALLATION WITH PROJECTING CONTROL PANEL

| Product Dimensions  | mm                 |
|---|--------------------|
| Ⓐ Overall height of range (from floor to cooktop, excluding grates and vent trim) | min 908<br>max 933 |
| Ⓑ Overall width of range  | 911                |
| Ⓒ Overall depth of range (excluding handle and dials)                             | 740                |
| Ⓓ Depth from rear of chassis to cabinetry face - projecting                       | 638                |
| Ⓔ Depth from rear of chassis to cabinetry face - flush                            | 703                |
| Ⓕ Height from countertop to top of pan supports                                   | 40                 |
| Ⓖ Height from countertop to top of vent trim                                      | 45                 |
| Ⓗ Height from countertop to bottom of control panel                               | 196                |
| Ⓙ Height from countertop to top of door   | 204                |
| Ⓚ Height from countertop to centre of handle                                      | 240                |
| Ⓛ Height from countertop to bottom of door  | 734                |
| Ⓜ Height from countertop to bottom of chassis                                     | 895                |
| Ⓝ Thickness of handle (not including standoffs)                                   | 32                 |
| Ⓟ Width of handle (including standoffs)   | 904                |
| Ⓠ Depth of handle (measured from front of door)                                   | 77                 |
| Ⓟ Depth of open door to cabinetry face - flush                                    | 486                |
| Ⓡ Adjustable feet height  | min 13<br>max 38   |

| Cavity Dimensions                                    | mm                 |
|--|--------------------|
| Overall height of cavity                             | min 908<br>max 933 |
| Overall width of cavity                              | min 914            |
| Overall depth of cavity for projecting control panel | max 638            |
| Overall depth of cavity for flush control panel      | max 703            |

INDICATES PRODUCT DATUM -----

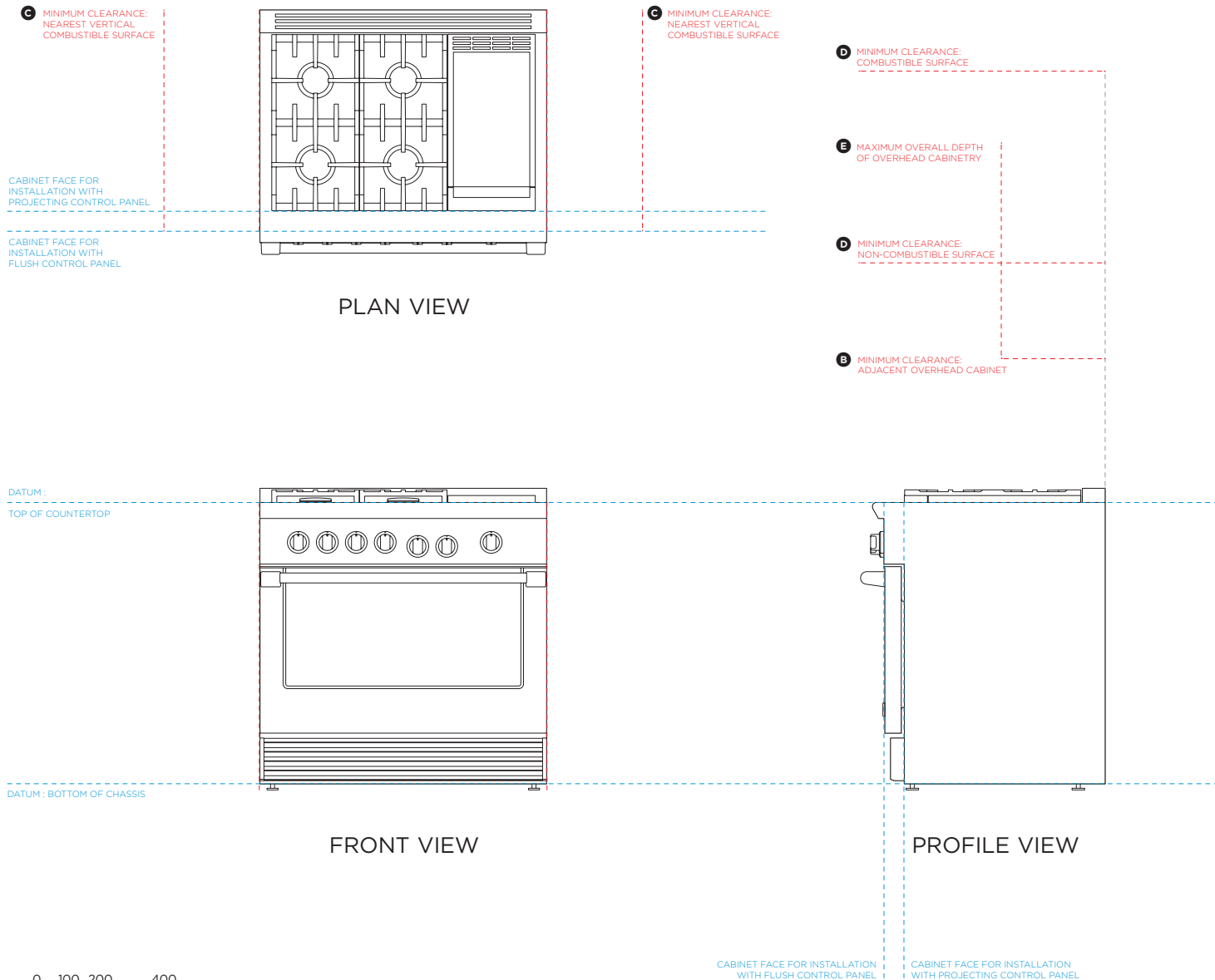
DATE: **24.04.2018**

IMPORTANT: Throughout this guide, dimensions may vary by ±2mm (1/16"). Read the installation guide for detailed information on installing the product. For full installation instructions and specifications visit [fisherpaykel.com](http://fisherpaykel.com)



# FISHER & PAYKEL

## CLEARANCE DIMENSIONS 36" Professional Range



Model no:

**RGV2-364GD-N, RGV2-364GD-L**

**RDV2-364GD-N, RDV2-364GD-L**

| Clearance Dimensions  | mm   |
|---|------|
| Ⓐ Minimum width of ventilation hood installed above range - not shown*                        | 914  |
| Ⓑ Minimum vertical distance between countertop and cabinet extending above counter            | 457  |
| Ⓒ Minimum clearance from left and right edge of range to nearest vertical combustible surface | 305  |
| Ⓓ Minimum clearance from cooking surface to:  |      |
| - combustible surface centred above the cooking surface                                       | 1372 |
| - non-combustible surface centred above the cooking surface                                   | 762  |
| Ⓔ Maximum overall depth of overhead cabinetry   | 330  |

INDICATES CABINETRY CLEARANCES - - - - -  
INDICATES PRODUCT DATUM - - - - -

DATE: **24.04.2018**

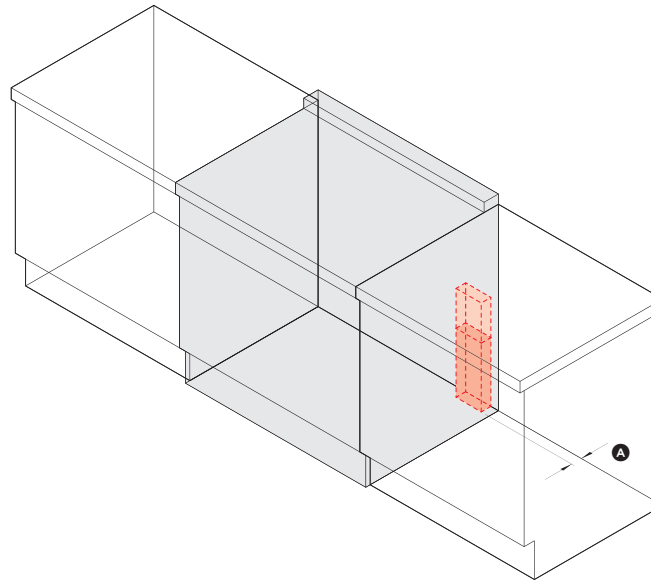
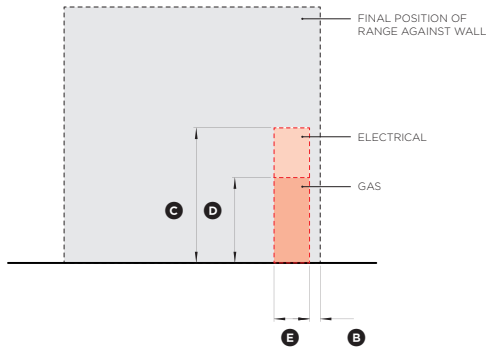
IMPORTANT: Throughout this guide, dimensions may vary by ±2mm (1/16"). Read the installation guide for detailed information on installing the product. For full installation instructions and specifications visit [fisherpaykel.com](http://fisherpaykel.com)

0 100 200 400 millimetres

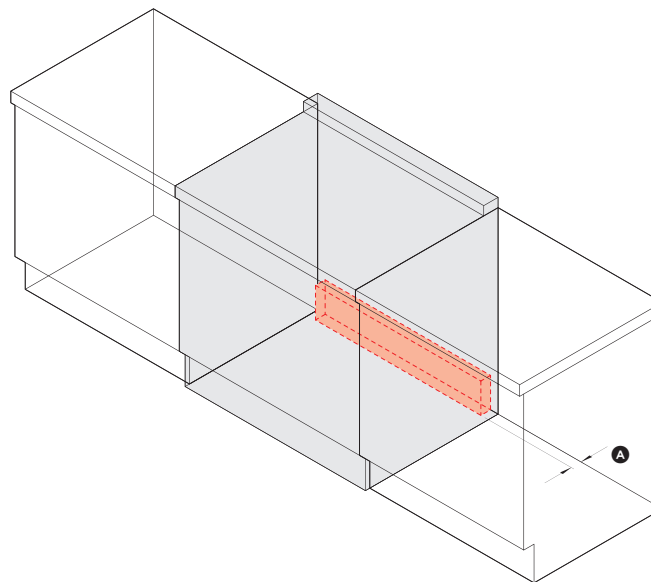
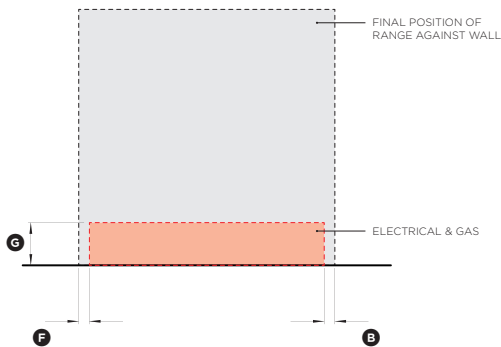
# FISHER & PAYKEL

## CAVITY PREPARATION 36" Professional Range

### RGV models



### RDV models



0 100 200 400  
millimetres

Model no:

**RGV2-364GD-N, RGV2-364GD-L**

**RDV2-364GD-N, RDV2-364GD-L**

| Location of Electrical and Gas Supply                                      | mm  |
|--|-----|
| Ⓐ Depth of supply area (ie maximum protrusion of gas connection from wall) | 51  |
| Ⓑ Distance from right hand edge of range to supply area                    | 38  |
| Ⓒ (RGV) Height of electrical supply area (from floor)                      | 483 |
| Ⓓ (RGV) Height of gas supply area (from floor)                             | 305 |
| Ⓔ (RGV) Width of supply area   | 127 |
| Ⓕ (RDV) Distance from left hand edge of range to supply area               | 38  |
| Ⓖ (RDV) Height of electrical and gas supply area (from floor)              | 152 |

#### Specifications

| Electrical        | RGV Models        |
|-------------------|-------------------|
| Supply            | 120 VAC, 60Hz     |
| Max. Current Draw | 8 amp             |
| Service           | 15 amp circuit    |
| Electrical        | RDV Models        |
| Supply            | 120/240 VAC, 60Hz |
| Max. Current Draw | 21 amp            |
| Service           | 30 amp circuit    |

#### Gas - Natural

|                 |                                      |
|-----------------|--------------------------------------|
| Connection      | 1/2" NPT Minimum 5/8" dia. flex line |
| Supply Pressure | Supply Pressure: 6" to 9" W.C.       |

#### Gas - LP

|                  |                                      |
|------------------|--------------------------------------|
| Connection       | 1/2" NPT Minimum 5/8" dia. flex line |
| Supply Pressure* | 11" to 14" W.C.                      |

A regulator is required at the LP source to provide a maximum pressure of 14" W.C. to the range regulator.

DATE: **24.04.2018**

IMPORTANT: Throughout this guide, dimensions may vary by ±2mm (1/16"). Read the installation guide for detailed information on installing the product. For full installation instructions and specifications visit [fisherpaykel.com](http://fisherpaykel.com)

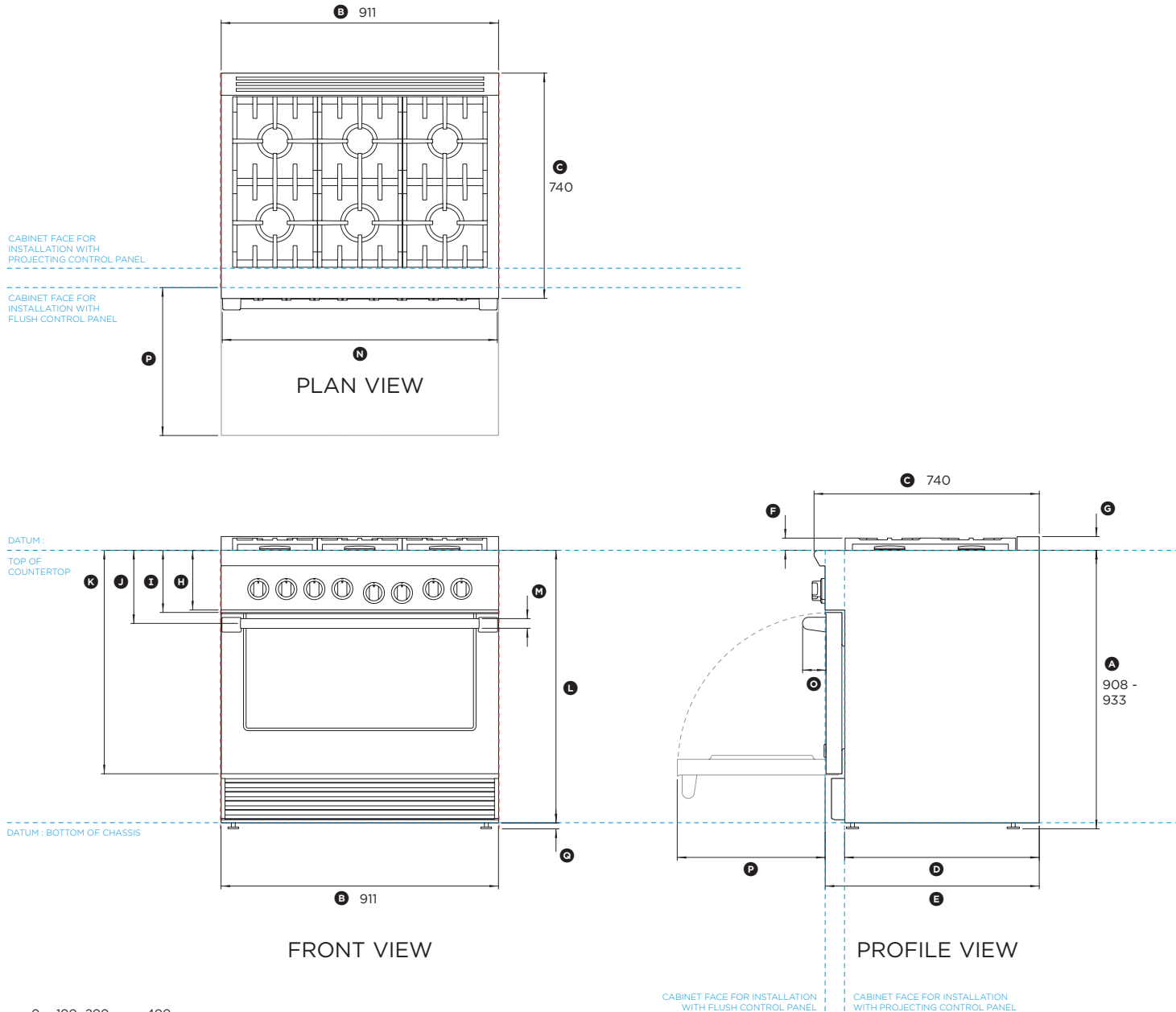
# FISHER & PAYKEL

## PRODUCT & CAVITY DIMENSIONS 36" Professional Range

Model no:

**RGV2-366-N, RGV2-366-L**

**RDV2-366-N, RDV2-366-L**



| Product Dimensions  | mm                 |
|---|--------------------|
| Ⓐ Overall height of range (from floor to cooktop, excluding grates and vent trim) | min 908<br>max 933 |
| Ⓑ Overall width of range  | 911                |
| Ⓒ Overall depth of range (excluding handle and dials)                             | 740                |
| Ⓓ Depth from rear of chassis to cabinetry face - projecting                       | 638                |
| Ⓔ Depth from rear of chassis to cabinetry face - flush                            | 703                |
| Ⓕ Height from countertop to top of pan supports                                   | 40                 |
| Ⓖ Height from countertop to top of vent trim                                      | 45                 |
| Ⓗ Height from countertop to bottom of control panel                               | 196                |
| Ⓙ Height from countertop to top of door   | 204                |
| Ⓚ Height from countertop to centre of handle                                      | 240                |
| Ⓛ Height from countertop to bottom of door  | 734                |
| Ⓜ Height from countertop to bottom of chassis                                     | 895                |
| Ⓝ Thickness of handle (not including standoffs)                                   | 32                 |
| Ⓟ Width of handle (including standoffs)   | 904                |
| Ⓠ Depth of handle (measured from front of door)                                   | 77                 |
| Ⓢ Depth of open door to cabinetry face - flush                                    | 486                |
| Ⓣ Adjustable feet height  | min 13<br>max 38   |

| Cavity Dimensions                                    | mm                 |
|--|--------------------|
| Overall height of cavity                             | min 908<br>max 933 |
| Overall width of cavity                              | min 914            |
| Overall depth of cavity for projecting control panel | max 638            |
| Overall depth of cavity for flush control panel      | max 703            |

INDICATES PRODUCT DATUM -----

DATE: **24.04.2018**

IMPORTANT: Throughout this guide, dimensions may vary by ±2mm (1/16"). Read the installation guide for detailed information on installing the product. For full installation instructions and specifications visit [fisherpaykel.com](http://fisherpaykel.com)



# FISHER & PAYKEL

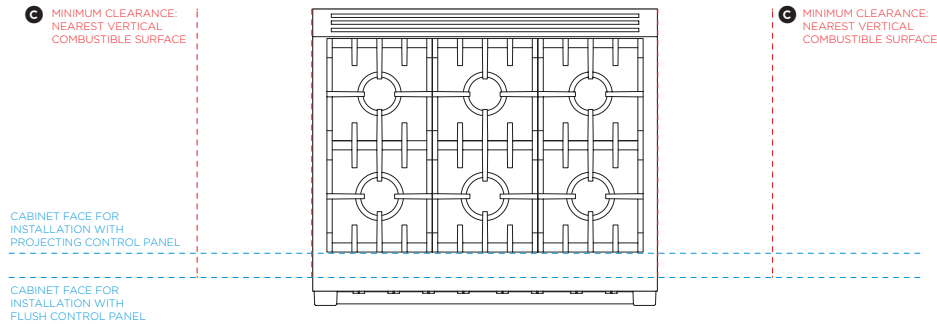
## CLEARANCE DIMENSIONS 36" Professional Range

Model no:

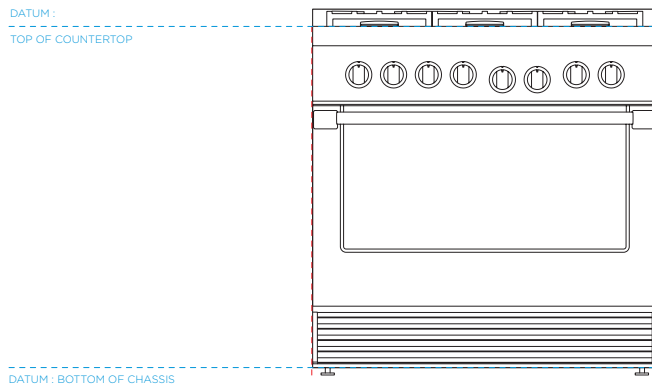
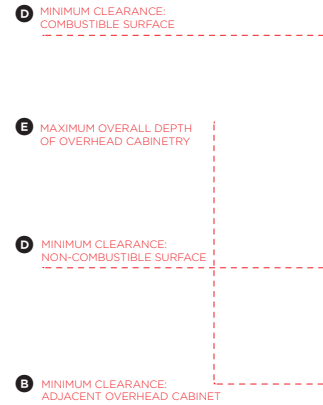
**RGV2-366-N, RGV2-366-L**

**RDV2-366-N, RDV2-366-L**

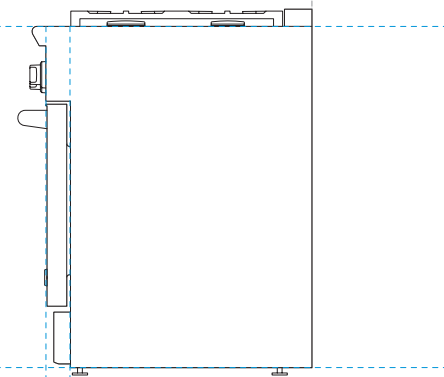
| Clearance Dimensions  | mm   |
|---|------|
| Ⓐ Minimum width of ventilation hood installed above range<br>- not shown*                               | 914  |
| Ⓑ Minimum vertical distance between countertop and cabinet<br>extending above counter                   | 457  |
| Ⓒ Minimum clearance from left and right edge of range to<br>nearest vertical combustible surface        | 305  |
| Ⓓ Minimum clearance from cooking surface to:<br>- combustible surface centred above the cooking surface | 1372 |
| - non-combustible surface centred above the cooking surface   | 762  |
| Ⓔ Maximum overall depth of overhead cabinetry   | 330  |



PLAN VIEW



FRONT VIEW



PROFILE VIEW

INDICATES CABINETRY CLEARANCES - - - - -

INDICATES PRODUCT DATUM - - - - -



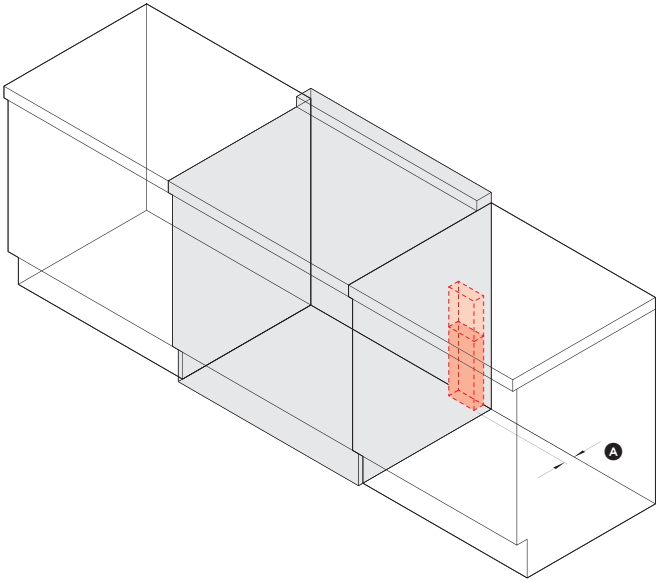
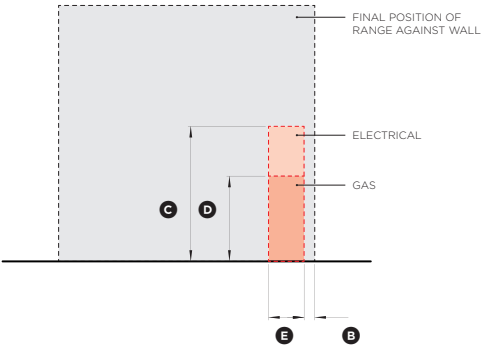
DATE: **24.04.2018**

IMPORTANT: Throughout this guide, dimensions may vary by  $\pm 2\text{mm}$  (1/16"). Read the installation guide for detailed information on installing the product. For full installation instructions and specifications visit [fisherpaykel.com](http://fisherpaykel.com)

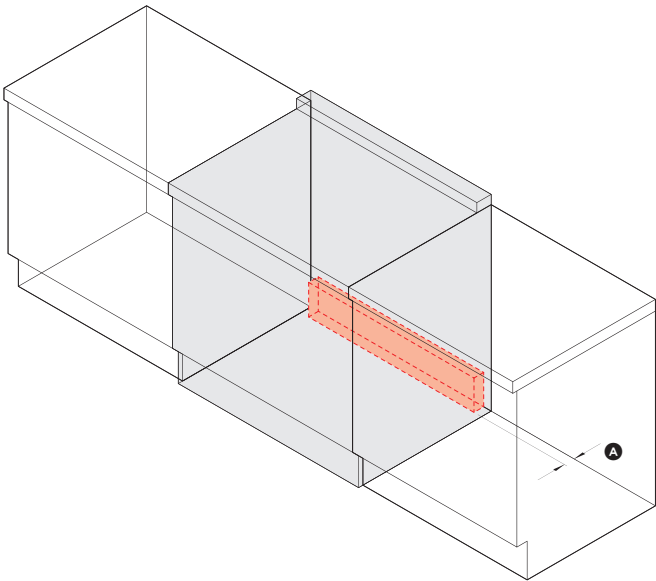
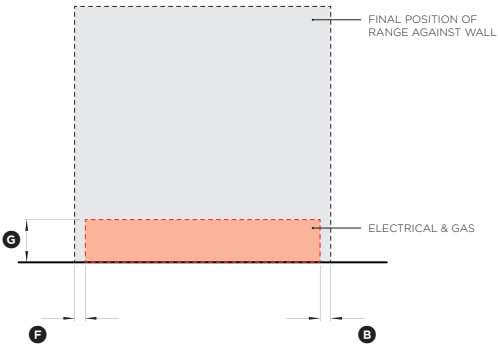
# FISHER & PAYKEL

## CAVITY PREPARATION 36" Professional Range

### RGV models



### RDV models



Model no:

**RGV2-366-N, RGV2-366-L**

**RDV2-366-N, RDV2-366-L**

| Location of Electrical and Gas Supply                                      | mm  |
|--|-----|
| Ⓐ Depth of supply area (ie maximum protrusion of gas connection from wall) | 51  |
| Ⓑ Distance from right hand edge of range to supply area                    | 38  |
| Ⓒ (RGV) Height of electrical supply area (from floor)                      | 483 |
| Ⓓ (RGV) Height of gas supply area (from floor)                             | 305 |
| Ⓔ (RGV) Width of supply area   | 127 |
| Ⓕ (RDV) Distance from left hand edge of range to supply area               | 38  |
| Ⓖ (RDV) Height of electrical and gas supply area (from floor)              | 152 |

### Specifications

| Electrical        | RGV Models        |
|-------------------|-------------------|
| Supply            | 120 VAC, 60Hz     |
| Max. Current Draw | 5 amp             |
| Service           | 15 amp circuit    |
| Electrical        | RDV Models        |
| Supply            | 120/240 VAC, 60Hz |
| Max. Current Draw | 18 amp            |
| Service           | 30 amp circuit    |

### Gas - Natural

|                 |                                      |
|-----------------|--------------------------------------|
| Connection      | 1/2" NPT Minimum 5/8" dia. flex line |
| Supply Pressure | Supply Pressure: 6" to 9" W.C.       |

### Gas - LP

|                  |                                      |
|------------------|--------------------------------------|
| Connection       | 1/2" NPT Minimum 5/8" dia. flex line |
| Supply Pressure* | 11" to 14" W.C.                      |

A regulator is required at the LP source to provide a maximum pressure of 14" W.C. to the range regulator.

DATE: 24.04.2018

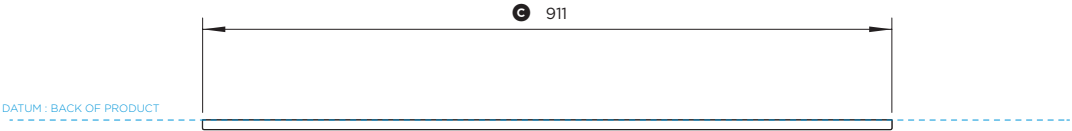
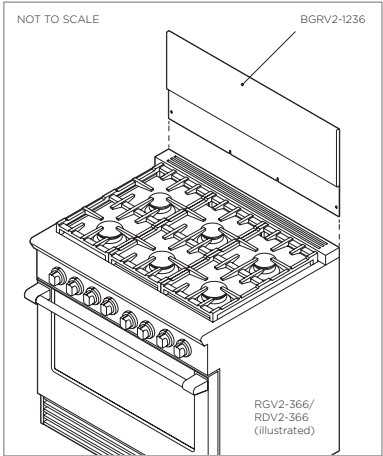
IMPORTANT: Throughout this guide, dimensions may vary by ±2mm (1/16"). Read the installation guide for detailed information on installing the product. For full installation instructions and specifications visit [fisherpaykel.com](http://fisherpaykel.com)

0 100 200 400  
millimetres

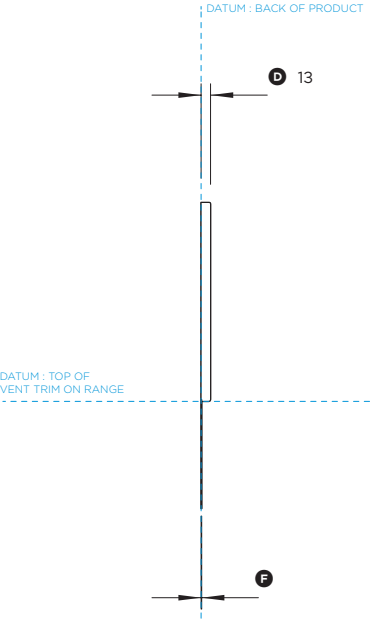


# FISHER & PAYKEL

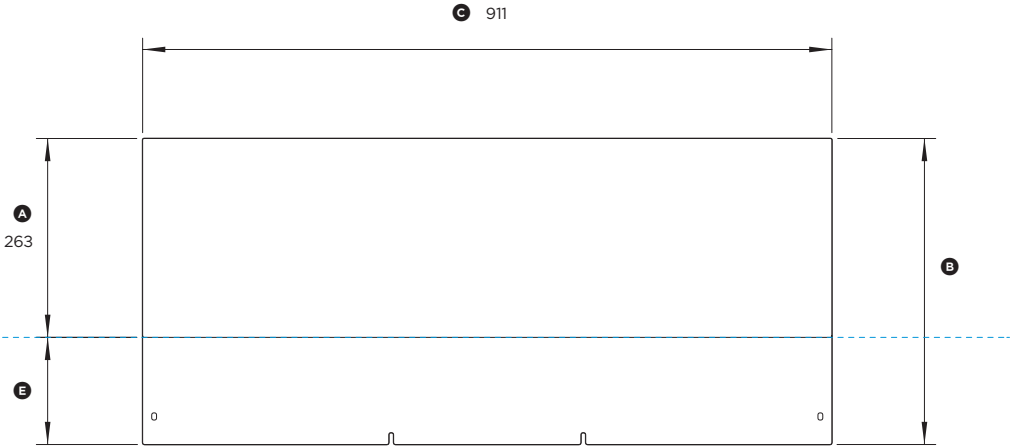
## PRODUCT DIMENSIONS 36" Professional Range Backguard



PLAN VIEW



PROFILE VIEW



FRONT VIEW

Model no:  
**BGRV2-1236**

| Product Dimensions                             | mm  |
|--|-----|
| Ⓐ Height of backguard above vent trim on range | 263 |
| Ⓑ Overall height of backguard                  | 405 |
| Ⓒ Overall width of backguard                   | 911 |
| Ⓓ Overall depth of backguard                   | 13  |
| Ⓔ Height of backguard below vent trim on range | 142 |
| Ⓕ Depth of backguard below vent trim on range  | 1   |

INDICATES PRODUCT DATUM -----

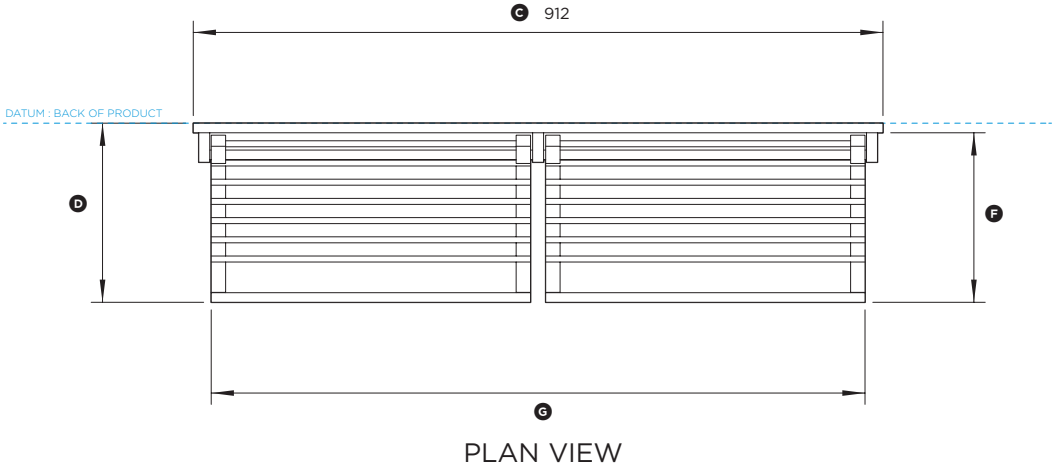
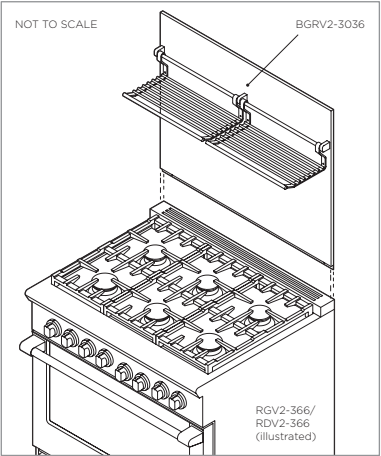


DATE: **24.04.2018**

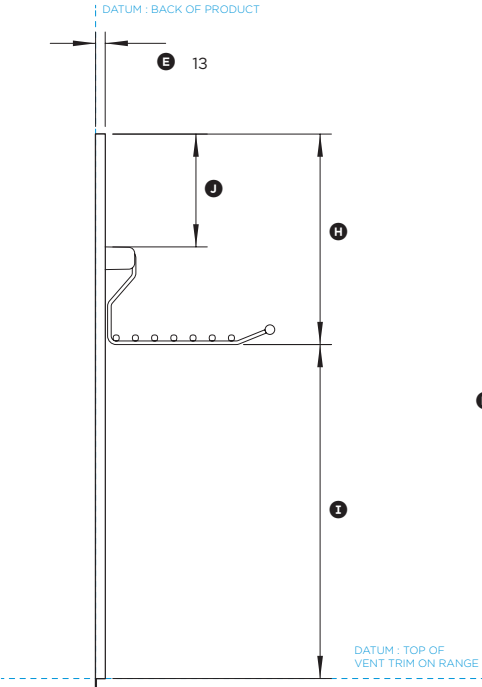
IMPORTANT: Throughout this guide, dimensions may vary by ±2mm (1/16"). Read the installation guide for detailed information on installing the product. For full installation instructions and specifications visit [fisherpaykel.com](http://fisherpaykel.com)

# FISHER & PAYKEL

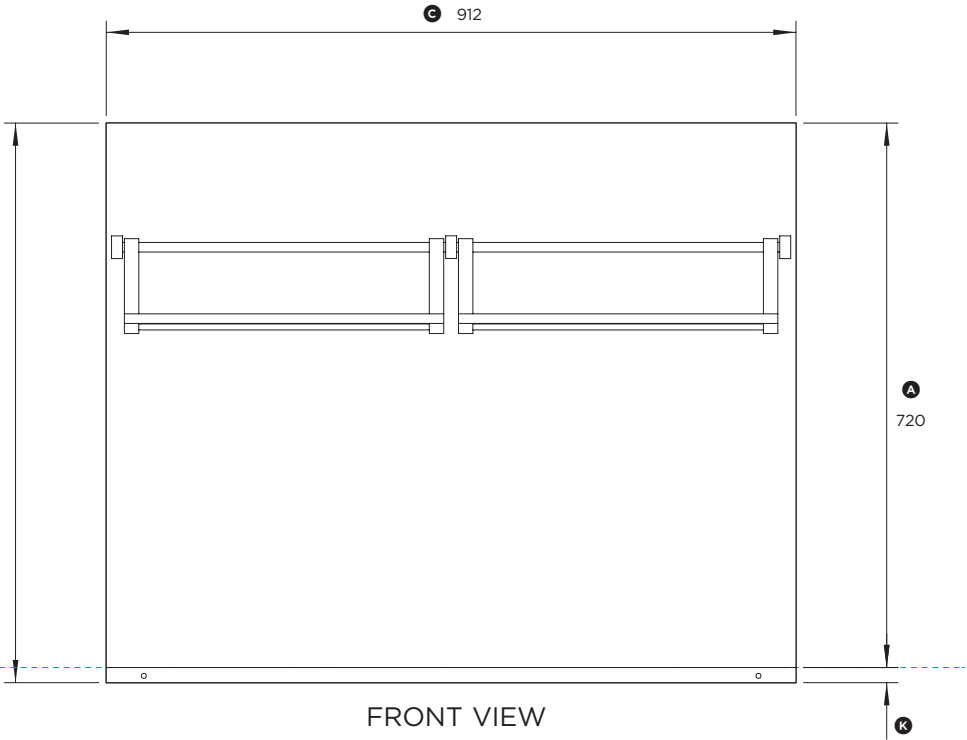
## PRODUCT DIMENSIONS 36" Professional Range Backguard



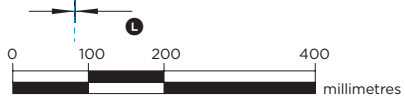
PLAN VIEW



PROFILE VIEW



FRONT VIEW



Model no:  
**BGRV2-3036**

| Product Dimensions                                     | mm  |
|--|-----|
| Ⓐ Height of backguard above vent trim on range         | 720 |
| Ⓑ Overall height of backguard                          | 740 |
| Ⓒ Overall width of backguard                           | 911 |
| Ⓓ Overall depth of backguard and racks                 | 237 |
| Ⓔ Depth of backguard                                   | 13  |
| Ⓕ Depth of racks                                       | 224 |
| Ⓖ Width of racks                                       | 864 |
| Ⓜ Distance from top of backguard to bottom of racks    | 278 |
| Ⓝ Distance from bottom of backguard to bottom of racks | 442 |
| Ⓞ Distance from top of backguard to top of brackets    | 149 |
| Ⓟ Height of backguard below vent trim on range         | 20  |
| Ⓠ Depth of backguard below vent trim on range          | 1   |

INDICATES PRODUCT DATUM -----

DATE: 24.04.2018

IMPORTANT: Throughout this guide, dimensions may vary by ±2mm (1/16"). Read the installation guide for detailed information on installing the product. For full installation instructions and specifications visit [fisherpaykel.com](http://fisherpaykel.com)

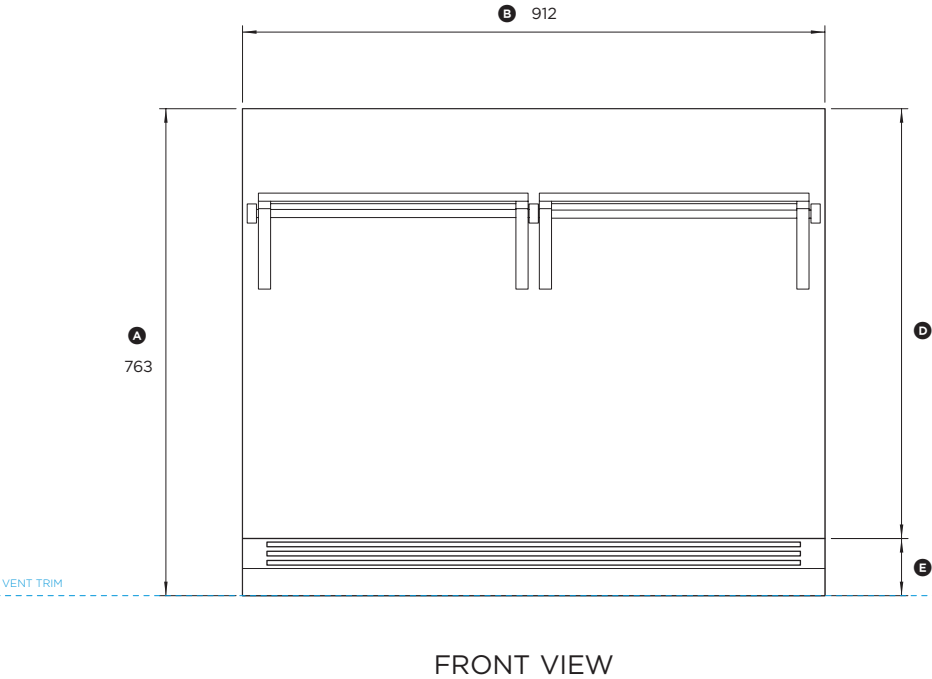
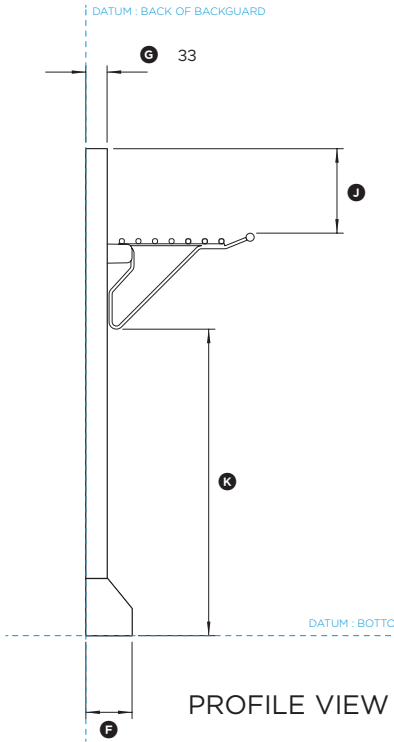
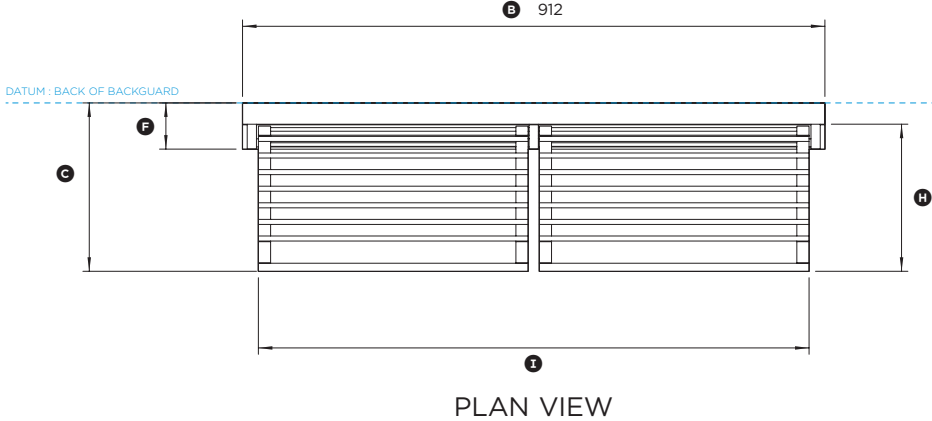
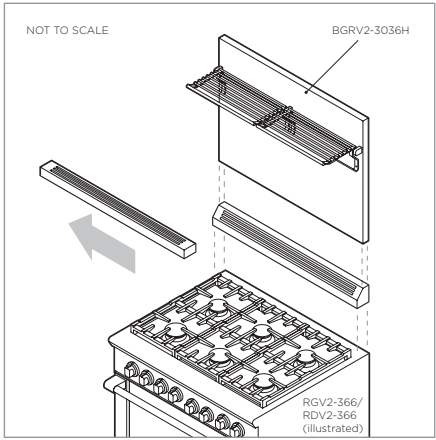
# FISHER & PAYKEL

## PRODUCT DIMENSIONS 36" Professional Range Backguard with Angled Vent Trim

Model no:  
**BGRV2-3036H**

| Product Dimensions  | mm  |
|---|-----|
| Ⓐ Overall height of backguard with angled vent trim           | 763 |
| Ⓑ Overall width of backguard                                  | 911 |
| Ⓒ Overall depth of backguard and racks                        | 264 |
| Ⓓ Height of backguard   | 673 |
| Ⓔ Height of angled vent trim                                  | 90  |
| Ⓕ Depth of angled vent trim                                   | 72  |
| Ⓖ Depth of backguard  | 33  |
| Ⓜ Depth of racks  | 230 |
| Ⓝ Width of racks  | 862 |
| Ⓗ Distance from top of backguard to top of racks              | 136 |
| Ⓢ Distance from bottom of angled vent trim to bottom of racks | 480 |

Note: Angled vent trim supplied with BGRV2-3036H.  
Remove flat vent trim and replace with angled vent trim.



INDICATES PRODUCT DATUM -----



DATE: **24.04.2018**

IMPORTANT: Throughout this guide, dimensions may vary by  $\pm 2\text{mm}$  (1/16").  
Read the installation guide for detailed information on installing the product.  
For full installation instructions and specifications visit [fisherpaykel.com](http://fisherpaykel.com)

IMPORTANT: The product dimensions and specifications apply at the date of issue. Under our policy of continuous product improvement, these dimensions and specifications may change at any time. Dimensions may vary by  $\pm 2\text{mm}$  (1/16"). Please read the installation guide for detailed information on installing the product or visit [fisherpaykel.com](http://fisherpaykel.com).

April 2018