

# Series 11, Integrated Tall Double DishDrawer Dishwasher

Series 11 | Integrated

Panel Ready



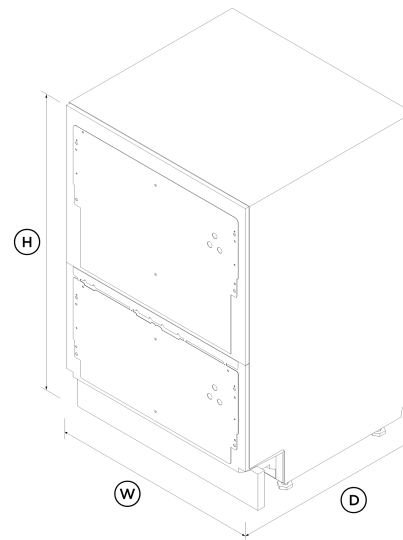
<p>Integrates seamlessly into kitchen cabinetry. Each drawer features a premium stainless steel interior and operates independently, for flexible washing.\*</p>

- Customise with your own front panel and handle to match your kitchen cabinetry
- Eight wash cycles from Heavy to Light, including Auto, 60min and Glassware

- Fits plates up to 310mm, with flexible racking to accommodate other large cookware
- Premium stainless steel interior, and soft-close drawers with knock to pause function
- With Wi-Fi capability and a SmartHQ™ app for remote control and notifications

## DIMENSIONS

|        |              |
|--------|--------------|
| Height | 865 - 925 mm |
| Width  | 599 mm       |
| Depth  | 553 mm       |



## FEATURES & BENEFITS

### Seamless Integration

Install your DishDrawer™ Dishwasher into an existing kitchen space or integrate into kitchen cabinetry. The touch-sensitive control panel is located inside this Integrated model, leaving an uninterrupted exterior that blends seamlessly with surrounding cabinetry.

### Ease Of Use

DishDrawer™ Dishwashers are beautiful to use with soft-close drawers. The tall top drawer fits your larger plates and dishes up to 310mm, while the bottom drawer is ideal for small washes. Flexible racking includes height-adjustable cup racks and wine glass supports.

### True Half Load

Both drawers fit a true half load. Each drawer operates independently, so you can wash one load while stacking the other drawer, or wash simultaneously on separate cycles.

### Flexible Wash Options

Eight wash programs including Auto, 60min and Glassware, while modifiers such as Sanitise, Dry+ and Quiet provide added wash flexibility. The Quiet wash modifier reduces the noise on some cycles while maintaining performance - perfect for late night washing.

### Design Quality

Every detail has been carefully crafted using quality materials, from the easy-to-clean stainless steel interior to the spray arm sensor that detects jams for increased wash confidence.

### Knock To Pause

For ease-of-use, these DishDrawer™ Dishwashers have a knock to pause function. A knock on the front panel will pause the dishwasher, which can be restarted by using the start button.

### Efficient Performance

With 4 star energy rating and 5.5 star (WELS) water rating, this DishDrawer™ Dishwasher uses the energy it needs without compromising on wash performance.

## SPECIFICATIONS

### Accessories (included)

|                                  |      |
|----------------------------------|------|
| Cutlery basket                   | •    |
| Kickstrip                        | true |
| Knife clip and multipurpose clip | •    |

### Accessories (sold separately)

|  |                |
|--|----------------|
| Door panel black stainless steel               | ADDD60DTPB     |
| Door panel stainless steel                     | ADDD60DTPX     |
| Handle kit Classic                             | AHCL-DDDW-24X  |
| Handle kit Contemporary round, aluminium       | AHS-OBDD-60S   |
| Handle kit Contemporary square fine, aluminium | AHD5-OBDD-60SX |
| Handle kit Contemporary square fine, black     | AHD5-OBDD-60SB |
| Handle kit Contemporary square, aluminium      | AHD3-OBDD-60S  |
| Handle kit Contemporary square, black          | AHD3-OBDD-60B  |
| Handle kit Professional round flush            | AHP3-DWDD-60S  |

### Capacity and loading

|                                      |       |
|--------------------------------------|-------|
| Accommodates round plates up to      | 310mm |
| Adjustable height, foldable cupracks | •     |
| Fold down tines                      | •     |
| Pitch adjustable tines               | •     |
| Place settings                       | 14    |
| Place settings                       | 14    |
| Place settings per drawer            | 7     |
| Place settings per drawer            | 7     |

Wine glass supports with stemware grippers •

### Consumption

|   |   |
|---|---|
| Energy rating                           | 4 star                                  |
| Energy usage                            | 115kWh/year per drawer                  |
| In-use energy carbon emissions estimate | 74.9kgCO <sub>2</sub> e/year per drawer |
| Water consumption (per wash cycle)      | 5.7L per drawer                         |
| Water rating                            | 5.5 star (WELS)                         |

### Controls

|  |   |
|--|---|
| Electronic fault/Diagnostic indicator              | • |
| End of cycle beeps                                 | • |
| Energy saving delay start option of up to 12 hours | • |
| Internal wash selector                             | • |
| Intuitive capacitive touch controls                | • |
| Keylock  | • |
| Knock to pause                                     | • |
| Rinse aid indicator light                          | • |
| Smart appliance                                    | • |
| Spray arm sensing                                  | • |

### Features

|                                  |                 |
|----------------------------------|-----------------|
| Fan assisted drying              | •               |
| Flood protection                 | •               |
| Flow through detergent dispenser | •               |
| Internal tub material            | Stainless steel |
| Quiet operation                  | •               |

|                        |   |
|------------------------|---|
| SmartDrive™ technology | • |
| Soft close drawer      | • |

### Performance

|                                    |        |
|------------------------------------|--------|
| Noise on standard cycle top drawer | 43 dBA |
|------------------------------------|--------|

### Power requirements

|                  |            |
|------------------|------------|
| Amperage         | 10A        |
| Supply frequency | 50Hz       |
| Supply voltage   | 220 - 240V |

### Product dimensions

|        |              |
|--------|--------------|
| Depth  | 553 mm       |
| Height | 865 - 925 mm |
| Width  | 599 mm       |

### Warranty

|                  |         |
|------------------|---------|
| Parts and labour | 2 years |
|------------------|---------|

### Wash Program Modifiers

|                |   |
|----------------|---|
| Dry +          | • |
| Quiet          | • |
| Sanitise       | • |
| Wash modifiers | 3 |

### Wash Programs

|               |   |
|---------------|---|
| 60 min        | • |
| Auto          | • |
| Eco           | • |
| Glassware     | • |
| Heavy         | • |
| Light         | • |
| Medium        | • |
| Rinse         | • |
| Wash programs | 8 |

- [↓](#) Service & Warranty
- [↓](#) Installation Guide Double DishDrawer™ Dishwasher
- [↓](#) Planning Guide Integrated Double DishDrawer™ Dishwasher EN
- [↓](#) Planning Guide Integrated Single DishDrawer™ Dishwasher
- [↓](#) Revit-18 DishDrawer™ Dishwasher
- [↓](#) Rhino-5 DishDrawer™ Dishwasher
- [↓](#) Sketchup-8 DishDrawer™ Dishwasher
- [↓](#) Specification Guide Integrated Double DishDrawer™ Dishwasher
- [↓](#) User Guide DishDrawer™ Dishwasher
- [↓](#) Standards Data and Wash Program Data DishDrawer™ Dishwasher

**Water connection**

|                |  |
|----------------|--|
| Water pressure | 30kPa - 1000 kPa                           |
| Water supply   | 3/4" BSP (20mm) Connector Water Inlet Hose |

**Where applicable:**

All appliances use energy, and energy usage typically generates carbon emissions. **Fisher & Paykel Appliances' In-use Energy Carbon Emissions Estimate** indicates carbon emissions from a product's in-use energy. This is calculated either annually or per cycle, using the product's market-specific energy label energy consumption data multiplied by the carbon emissions factor for energy in your country or region.

Our In-use Energy Carbon Emissions Estimate is designed to assist customers in making informed purchasing decisions when comparing different Fisher & Paykel products. For example, a heat pump dryer typically has a lower In-use Energy Carbon Emissions Estimate than a vented dryer.

SKU 82168

The product dimensions and specifications in this page apply to the specific product and model. Under our policy of continuous improvement, these dimensions and specifications may change at any time. You should therefore check with Fisher & Paykel's Customer Care Centre to ensure this page correctly describes the model currently available. © Fisher & Paykel Appliances Ltd 2020



**A PEACE OF MIND SALE**  
 24 Hours 7 Days a Week Customer Support  
 T 1300 650 590 Wwww.fisherpaykel.com

**Other product downloads available at fisherpaykel.com**

- [↓](#) 2D-DWG DishDrawer™ Dishwasher
- [↓](#) 2D-DXF Double DishDrawer™ Dishwasher
- [↓](#) ArchiCAD-23 DishDrawer™ Dishwasher
- [↓](#) Energy & Water Label