

30" Series 7 Contemporary 4 Burner Gas Range, Natural Gas

Series 7 | Contemporary

Stainless Steel | Natural Gas

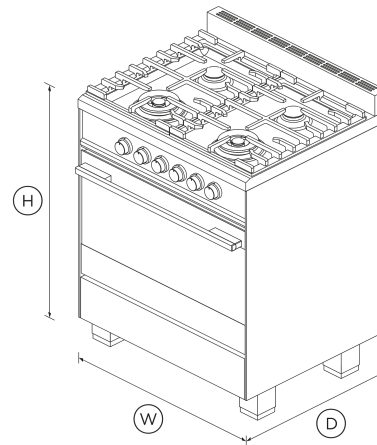


Add contemporary style to your kitchen, and enjoy the instant response and precision of a gas-fueled oven and cooktop.

- Four burner gas cooktop, with two dual ring wok burners
- Gas oven with 3.5 cu ft total capacity
- Three oven functions: Bake, Convection Bake and Maxi Broil

DIMENSIONS

Height	35 3/4 - 37 5/8 "
Width	29 7/8 "
Depth	25 1/4 "



FEATURES & BENEFITS

Design Quality

Every detail has been carefully crafted. The solid, perfectly balanced soft-close door, durable cooktop grates and machined stainless dials all add up to an exceptional, premium range.

Large Capacity Oven

The large 3.5cu ft total capacity for this range gives you plenty of space to cook multiple dishes at the same time.

Performance Power

Precise cooktop controls let you sear or stir fry over instant, powerful heat. Use the high burner power or simmer a delicate sauce using the gentlest of heats.

Easy Cleaning

With its durable surface, your cooktop simply needs a quick wipe after cooking to keep it looking good as new for years to come.

SPECIFICATIONS

Accessories (included)

2-pc grill system (Broil pan and Grill rack)	•
Broil pan	•
Chromed shelf runners	1 set
Full extension telescopic shelves	2 sets (part 578776)
Grill rack	true
Small pot support	1 (part 533981 cast)

Accessories (sold separately)

Kick strip, stainless steel (optional)	KICKOR30X1
Wok grate included	Yes

Burner ratings

Dual wok burner inner/outer (LPG)	1000 - 18000BTU
Dual wok burner inner/outer (natural gas)	1000 - 18000BTU
Maximum burner power	18000 BTU
Semi-rapid burner (LPG)	1500 - 7600BTU
Semi-rapid burner (natural gas)	1500 - 8000BTU

<p>Total cooktop power 52000 BTU</p> <hr/> <p>Capacity</p> <p>Shelf positions 7</p> <p>Total capacity 3.5 cu ft</p> <p>Usable capacity 2.7 cu ft</p> <hr/> <p>Cleaning</p> <ul style="list-style-type: none"> Acid resistant graphite enamel • Dishwasher proof trivets • Removable oven door • Removable shelf runners • <hr/> <p>Controls</p> <ul style="list-style-type: none"> Laser etched graphics • <hr/> <p>Gas Requirements</p> <p>Supply Pressure (LPG) 11" W.C.P</p> <p>Supply Pressure (natural gas) 4" W.C.P</p> <hr/> <p>Oven features</p> <ul style="list-style-type: none"> Auto re-ignition system • Concealed element • Convection • Electronic ignition • Full extension telescopic sliding shelves • 	<p>Internal light 2 x 25W halogen (rear)</p> <ul style="list-style-type: none"> Soft open/close door • Storage drawer • <hr/> <p>Oven functions</p> <ul style="list-style-type: none"> Bake • Convection bake • Maxi Broil • Number of functions 3 <hr/> <p>Oven performance</p> <p>Bake power 14000 BTU</p> <p>Broil 11000 BTU</p> <p>CoolTouch door Triple glazed</p> <hr/> <p>Power Requirements</p> <p>Connection 3-prong grounding type [NEMA 5-15P plug]</p> <p>Service 15 A</p> <p>Supply 120 V, 60 Hz</p> <hr/> <p>Product Dimensions</p> <p>Depth 25 1/4 "</p> <p>Height 35 3/4 - 37 5/8 "</p> <p>Width 29 7/8 "</p>	<p>Rangetop features</p> <ul style="list-style-type: none"> Hob rail • LPG / Natural Gas compatible • Sealed range top • <hr/> <p>Rangetop Performance</p> <p>Number of burners 4</p> <hr/> <p>Safety</p> <ul style="list-style-type: none"> ADA compliant • Advanced cooling system • Anti-tilt bracket • Balanced oven door • CoolTouch door • Full extension telescopic sliding shelves • Non-tip shelves • Spill containment 1/2 gallon <hr/> <p>Warranty</p> <p>Parts and labor 2 years</p> <hr/> <p>SKU 82763</p>
---	--	--

The product dimensions and specifications in this page apply to the specific product and model. Under our policy of continuous improvement, these dimensions and specifications may change at any time. You should therefore check with Fisher & Paykel's Customer Care Centre to ensure this page correctly describes the model currently available. © Fisher & Paykel Appliances Ltd 2020



A PEACE OF MIND SALE
24 Hours 7 Days a Week Customer Support
T 1.888.936.7872 W www.fisherpaykel.com

Other product downloads available at fisherpaykel.com

- [↓](#) 2D-DWG Gas Range
- [↓](#) 2D-DXF Gas Range
- [↓](#) Data Sheet Gas Range
- [↓](#) Service & Warranty
- [↓](#) Installation Guide EN
- [↓](#) Guide d'installation FR
- [↓](#) Revit Electric Range
- [↓](#) Rhino Electric Range
- [↓](#) Sketchup Electric Range
- [↓](#) User Guide Freestanding Range EN

Where applicable:

All appliances use energy, and energy usage typically generates carbon emissions. **Fisher & Paykel Appliances' In-use Energy Carbon Emissions Estimate** indicates carbon emissions from a product's in-use energy. This is calculated either annually or per cycle, using the product's market-specific energy label energy consumption data multiplied by the carbon emissions factor for energy in your country or region.

Our In-use Energy Carbon Emissions Estimate is designed to assist customers in making informed purchasing decisions when comparing different Fisher & Paykel products. For example, a heat pump dryer typically has a lower In-use Energy Carbon Emissions Estimate than a vented dryer.