

Combination Steam Oven, 76cm, 23 Function

Series 9 | Professional

Stainless Steel



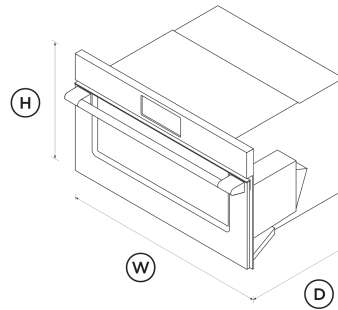
Our Combination Steam Oven is engineered for the home chef, helping to effortlessly create healthy and delicious dishes. It pairs seamlessly with companion products such as the Vacuum Seal Drawer or Warming Drawer.

- 23 oven functions including Steam, Sous Vide, Air Fry and Crisp Regenerate
- With steam cooking, convection cooking, or a combination of both
- Pair with our Vacuum Seal Drawer companion product for effortless Sous Vide preparation

- Guided touchscreen cooking makes it simple to cook by food, function or recipe

DIMENSIONS

Height	458 mm
Width	757 mm
Depth	575 mm



SPECIFICATIONS

Cleaning

- Acid resistant graphite enamel
- Descale cycle
- Drying cycle
- Easy to clean interior

- Removable oven door
- Removable oven door inner glass
- Removable shelf runners
- Removable water tank
- Steam clean (oven)

Product dimensions

Depth	575 mm
Height	458 mm
Width	757 mm

SKU 82612

The product dimensions and specifications in this page apply to the specific product and model. Under our policy of continuous improvement, these dimensions and specifications may change at any time. You should therefore check with Fisher & Paykel's Customer Care Centre to ensure this page correctly describes the model currently available. © Fisher & Paykel Appliances Ltd 2020

Other product downloads available at fisherpaykel.com

- ↓ 2D-DWG Combination Steam Oven
- ↓ 2D-DXF Combination Steam Oven
- ↓ Service & Warranty
- ↓ Planning Guide - 76cm Built-in Ovens and Companions - Professional

Where applicable:

All appliances use energy, and energy usage typically generates carbon emissions. **Fisher & Paykel Appliances' In-use Energy Carbon Emissions Estimate** indicates carbon emissions from a product's in-use energy. This is calculated either annually or per cycle, using the product's market-specific energy label energy consumption data multiplied by the carbon emissions factor for energy in your country or region.

Our In-use Energy Carbon Emissions Estimate is designed to assist customers in making informed purchasing decisions when comparing different Fisher & Paykel products. For example, a heat pump dryer typically has a lower In-use Energy Carbon Emissions Estimate than a vented dryer.



A PEACE OF MIND SALE
24 Hours 7 Days a Week Customer Support
T 0800 372 273 W www.fisherpaykel.com