

# 24" Series 9 Minimal Built-in Coffee Maker

Series 9 | Minimal

Black



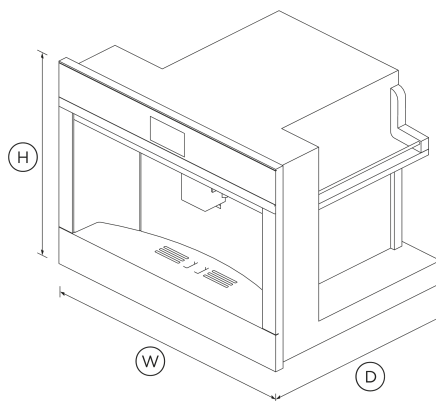
Our built-in coffee maker pours a delicious coffee, however you take it. Pairs perfectly with 24" ovens and other companion products.

- Make barista-standard coffee just the way you like it, with 13 options from Americano to Macchiato or Latte
- Your favorite coffee can be memorized and set to start at the same time each day, so it's ready when you are
- With self-cleaning function for an effortless clean

- Part of our suite of companion products, designed to match aesthetically for flexible configurations

## DIMENSIONS

Height	18 "
Width	23 1/2 "
Depth	18 7/8 "



## FEATURES & BENEFITS

### Sized To Suit

This 24" Built-in Coffee Maker is perfect for the compact kitchen and can be placed virtually anywhere. Companion products share standard dimensions and can be installed in multiple configurations to suit your kitchen design and preference.

### Coffee Choice

Your Coffee Maker has 13 different choices to suit your taste and selection - from Espresso to Latte.

### Barista-Style Coffee

The conical burr grinder delivers a consistent grind for the perfect coffee. Set it to suit your preference.

### Self-Cleaning

The Coffee Maker has a self-cleaning function and comes with a removable drip tray and a waste container for used coffee grounds.

### Personalise Your Cup

Program your Coffee Maker to start up at the same time every day and make your favorite coffee - then save it as a setting.

### Beauty Of Choice

With the choice of a stylish stainless steel or elegant black trim, our Companion products help you achieve a coherent kitchen aesthetic that suits your design style.

## SPECIFICATIONS

### Accessories (included)

Coffee spoon	•
Descaling agent bottle	•
Extractable steam outlet	•
Thermal milk jug (Auto Cappuccino)	0.125 L
Water filter	•

### Accessories (sold separately)

Matching Trim Kit	TK7630NDB1 / TK30NDBB1
Optional lower trim kit	Part 81662

**Capacity**

Coffee bean container capacity	<b>0.75 lbs</b>
Drip tray capacity	<b>0.25 gallons</b>
Grounds container capacity	<b>14 cups of coffee</b>
Number of cups	<b>1 or 2</b>
Water tank capacity	<b>0.625 L</b>

**Cleaning**

Easy to remove coffee grinds container	•
Easy to remove stainless steel hot water/steam pipe	•
Removable drip tray with level indicator	•

**Controls**

Cleaning reminder	•
Coffee grounds full reminder	•
Intuitive information display	•
LED lights	<b>4</b>
Multi-language interface	<b>true</b>
Refill coffee bean reminder	•
Water tank empty indicator	•

**Functions**

Americano	•
Cappuccino	•
Coffee	•
Cup size levels	<b>4 + manual</b>
Double espresso	•

Espresso	•
Espresso macchiato	•
Flat white	•
Hot milk	•
Hot water	•
Latte	•
Latte macchiato	•
Long black	•
Number of functions	<b>13</b>
Personalised coffee	•
Takes pre ground coffee	•

**Performance**

Coffee temperatures	<b>5 x settings</b>
Grinder	<b>Stainless steel conical burr</b>
Grinding coarseness	<b>13 positions</b>
Heating system	<b>Thermablock with stainless steel tube &amp; steamer</b>
Heating system power (coffee / steam)	<b>1200 W</b>
Integrated cup warmer shelf	•
Integrated storage for accessories	•
Pump power	<b>50</b>
Pump pressure	<b>15 Bar</b>

**Power Requirements**

Amperage	<b>11.25 A</b>
Supply frequency	<b>50 Hz</b>
Supply voltage	<b>120 V</b>

**Product Dimensions**

Depth	<b>18 7/8 "</b>
Height	<b>18 "</b>
Width	<b>23 1/2 "</b>

SKU	<b>81925</b>
-----	--------------

The product dimensions and specifications in this page apply to the specific product and model. Under our policy of continuous improvement, these dimensions and specifications may change at any time. You should therefore check with Fisher & Paykel's Customer Care Centre to ensure this page correctly describes the model currently available. © Fisher & Paykel Appliances Ltd 2020

**Other product downloads available at fisherpaykel.com**

- [↓ 2D-DWG Coffee Maker with 30" Trim](#)
- [↓ 2D-DWG Coffee Maker with Bottom Trim](#)
- [↓ 2D-DWG Coffee Maker](#)
- [↓ 2D-DXF Coffee Maker with 30" Trim](#)
- [↓ 2D-DXF Coffee Maker with Bottom Trim](#)
- [↓ 2D-DXF Coffee Maker](#)
- [↓ Archicad Coffee Maker](#)
- [↓ Archicad Coffee Maker with 24" Trim](#)
- [↓ Service & Warranty](#)
- [↓ Installation Guide - Cavity Trim Kit](#)
- [↓ Installation Guide Companion Products EN](#)
- [↓ Guide d'installation FR](#)
- [↓ Planning Guide - Minimal 30" Built-in Ovens and Companions](#)
- [↓ Revit Coffee Maker](#)
- [↓ Revit Coffee Maker with 24" Trim](#)
- [↓ Revit Coffee Maker with 30" Trim](#)

- ↓ Rhino Coffee Maker
- ↓ Rhino Coffee Maker with 24" Trim
- ↓ Rhino Coffee Maker with 30" Trim
- ↓ Sketchup Coffee Maker
- ↓ Sketchup Coffee Maker with 24" Trim
- ↓ Sketchup Coffee Maker with 30" Trim
- ↓ User Guide

**Where applicable:**

All appliances use energy, and energy usage typically generates carbon emissions. **Fisher & Paykel Appliances' In-use Energy Carbon Emissions Estimate** indicates carbon emissions from a product's in-use energy. This is calculated either annually or per cycle, using the product's market-specific energy label energy consumption data multiplied by the carbon emissions factor for energy in your country or region.

Our In-use Energy Carbon Emissions Estimate is designed to assist customers in making informed purchasing decisions when comparing different Fisher & Paykel products. For example, a heat pump dryer typically has a lower In-use Energy Carbon Emissions Estimate than a vented dryer.



**A PEACE OF MIND SALE**  
24 Hours 7 Days a Week Customer Support  
T 1.888.936.7872 W [www.fisherpaykel.com](http://www.fisherpaykel.com)