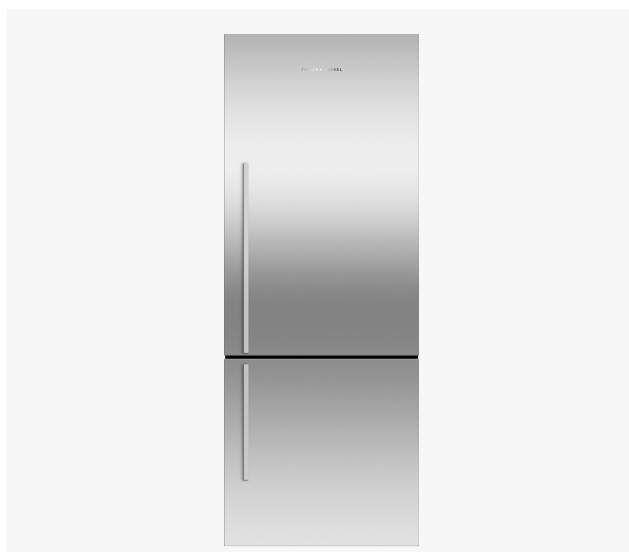


Freestanding Refrigerator Freezer, 63.5cm, 364L

Series 5 | Contemporary

Stainless Steel | Right Hinge

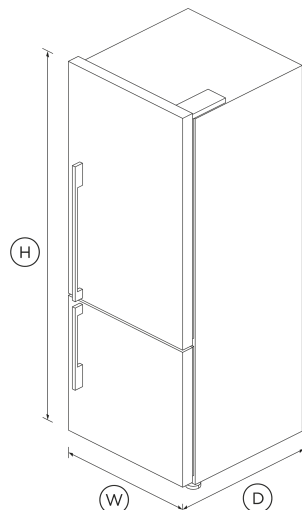


With generous storage and stylish stainless steel design for a timeless look. Perfect for smaller kitchens.

- ActiveSmart™ technology to help keep food fresher for longer by stopping temperature fluctuation
- Spacious bottom freezer with full extension drawer gives easy access to frozen goods.
- Choose which side you'd like your door hinge on to suit your kitchen layout

DIMENSIONS

Width	635 mm
Depth	695 mm



FEATURES & BENEFITS

Activesmart™ Foodcare

Every time you open your refrigerator, the temperature around your food changes. ActiveSmart™ foodcare adjusts airflow to create a stable temperature, helping your food stay fresher for longer.

EASY CLEANING

No more permanent dirty marks with our EZKleen feature for stainless steel refrigerators. Anti-fingerprint coating means you simply wipe clean any marks. Spill-safe secure glass shelves easily capture any drips or leaks.

Design Quality

Our refrigerators are designed and built using quality materials. We use real stainless steel, and solid glass for shelving as well as in our wine cabinet doors.

Clever Energy

Your refrigerator adapts to daily use by cooling and defrosting only when needed. This means it uses only the energy it needs without compromising on food care.

Humidity Control

Your fruit and veges need different environments. The humidity control slides in each storage bin create a perfect microclimate for each, which helps keep them fresher for longer.

SPECIFICATIONS

Accessories (sold separately)

Joiner Kit	819264
Surround Kit (Joined left/right pair)	Part number 23982
Surround Kit (Left Hand)	23980
Surround Kit (Right Hand)	23981

Capacity

Total gross capacity	414 L
Volume freezer	112 L
Volume refrigerator	269 L

Consumption

Energy consumption	471kWh/year
--------------------	-------------

Energy rating **2 ticks**

Minimum air clearance - on top **50 mm**

Width **635 mm**

Features

Adjustable door shelves **4**
 Adjustable glass shelves **4**
 Covered door shelves **2**
 Fruit and vegetable bins **2**
 SmartTouch control panel **•**
 Stackable bottle holders **2**

Warranty

Parts and labour **2 years**
 Sealed system parts only **5 years**

SKU 26186

Freezer Features

Bottle chill **•**
 Door alarm **•**
 Fast freeze **•**
 Freezer bins **3**

The product dimensions and specifications in this page apply to the specific product and model. Under our policy of continuous improvement, these dimensions and specifications may change at any time. You should therefore check with Fisher & Paykel's Customer Care Centre to ensure this page correctly describes the model currently available. © Fisher & Paykel Appliances Ltd 2020

Other product downloads available at fisherpaykel.com

- [↓](#) 2D-DWG Freestanding Refrigerator Freezer
- [↓](#) 2D-DXF Freestanding Refrigerator Freezer
- [↓](#) Archicad Freestanding Refrigerator Freezer
- [↓](#) Data Sheet Freestanding Refrigerator Freezer
- [↓](#) Service & Warranty
- [↓](#) Installation Guide - Surround Kit
- [↓](#) Installation Guide
- [↓](#) Revit Freestanding Refrigerator Freezer
- [↓](#) Sketchup Freestanding Refrigerator Freezer
- [↓](#) User Guide

Where applicable:

All appliances use energy, and energy usage typically generates carbon emissions. **Fisher & Paykel Appliances' In-use Energy Carbon Emissions Estimate** indicates carbon emissions from a product's in-use energy. This is calculated either annually or per cycle, using the product's market-specific energy label energy consumption data multiplied by the carbon emissions factor for energy in your country or region.

Our In-use Energy Carbon Emissions Estimate is designed to assist customers in making informed purchasing decisions when comparing different Fisher & Paykel products. For example, a heat pump dryer typically has a lower In-use Energy Carbon Emissions Estimate than a vented dryer.



A PEACE OF MIND SALE
24 Hours 7 Days a Week Customer Support
 T +65 6741 0777 W www.fisherpaykel.com

Performance

ActiveSmart™ Foodcare **•**
 Adaptive defrost **•**
 Frost free freezer **•**
 Sabbath mode **•**

Product dimensions

Depth **695 mm**
 Depth (including handles) **730 mm**
 Minimum air clearance - at rear **30 mm**
 Minimum air clearance - each side **20 mm**