

# FISHER & PAYKEL

## DATA SHEET

Wall Cooker Hood, 60cm, Box Chimney

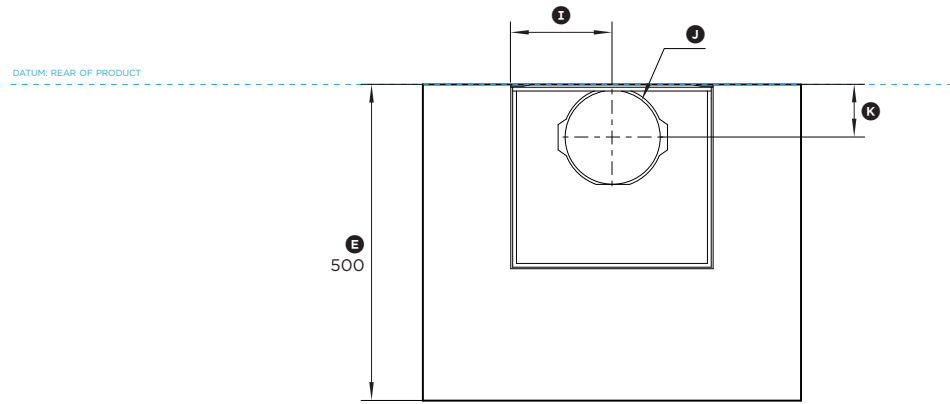
**Model nos:**  
HC60BCXB4

Product Dimensions	mm
Ⓐ Maximum height of cooker hood*	1035
Ⓑ Minimum overall height - recirculating	675
Ⓒ Minimum overall height	635
Ⓓ Overall width of cooker hood	598
Ⓔ Overall depth of cooker hood	500
Ⓕ Height of canopy	55
Ⓖ Width of chimney	320
Ⓗ Depth of chimney	290
Ⓚ Distance from centre of ducting outlet to side of chimney	160
Ⓛ Ducting outlet diameter	150
Ⓜ Distance from centre of ducting outlet to back of product	85
Ⓝ Height of datum to top of lower chimney section	595

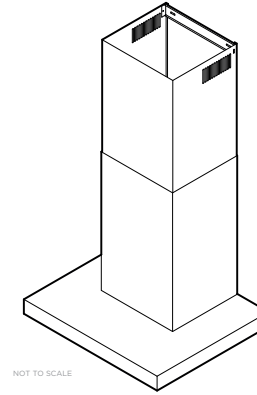
\* Maximum height with chimney extension accessories 1400mm.

Minimum distance above cooktops	mm
Minimum height from top of electric cooktop to base of product	600
Minimum height from top of gas cooktop to base of product	650

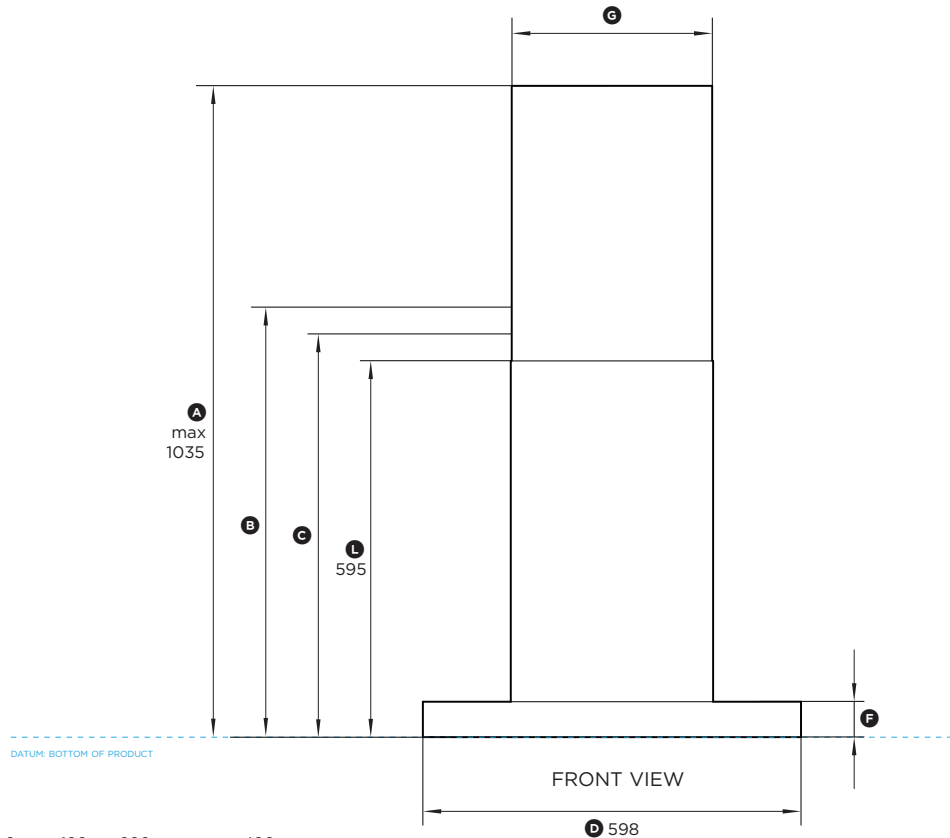
Note: Minimum installation height may be greater if required by your cooktop. Refer to cooktop installation instructions.



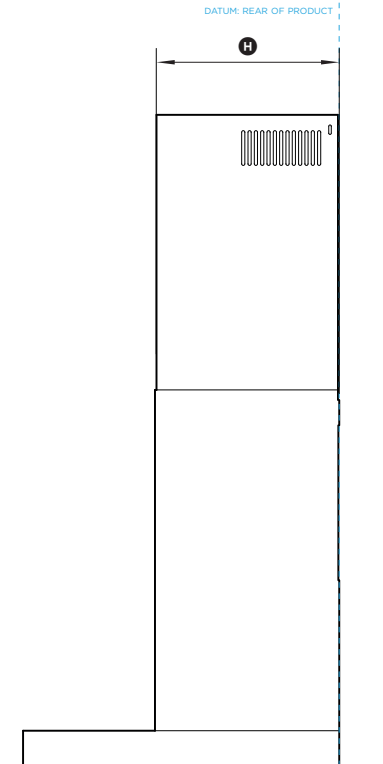
TOP VIEW



NOT TO SCALE



FRONT VIEW



PROFILE VIEW



INDICATES PRODUCT DATUM .....  
INDICATES CABINETY CLEARANCES .....

DATE: 24.08.2023

90003281A

IMPORTANT NOTE: Throughout this guide, dimensions may vary by ±2mm (1/16"). Please read the installation guide for detailed information on installing the product. For full installation instructions & specifications visit [fisherpaykel.com](http://fisherpaykel.com)

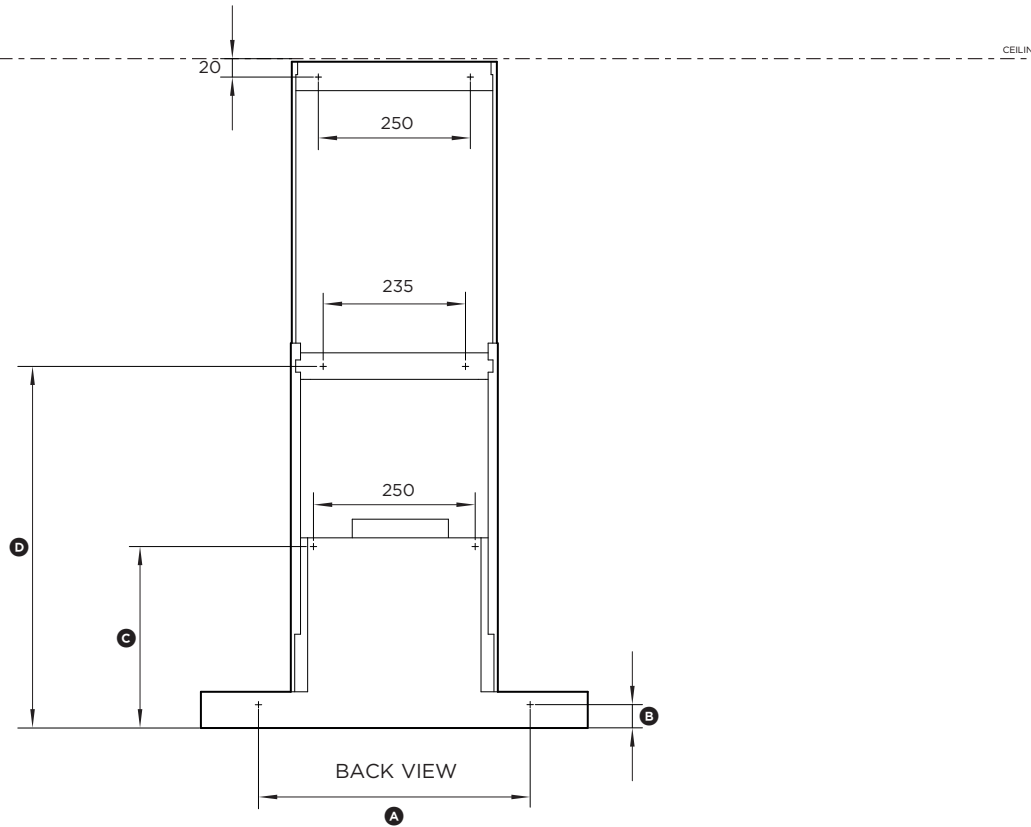
# FISHER & PAYKEL

## DATA SHEET

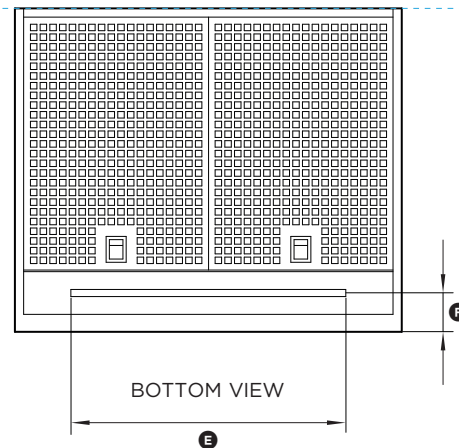
Wall Cooker Hood, 60cm, Box Chimney

**Model nos:**  
HC60BCXB4

Product Dimensions	mm
Ⓐ Lower cooker hood attachment point width	420
Ⓑ Lower cooker hood attachment point height	36
Ⓒ Upper cooker hood attachment point height	286
Ⓓ Chimney bracket attachment point height	559
Ⓔ Light length	425
Ⓕ Distance from centre of light to front of product	60



DATUM: REAR OF PRODUCT



INDICATES PRODUCT DATUM .....  
INDICATES CABINERY CLEARANCES - - - - -

DATE: 24.08.2023

90003281A

IMPORTANT NOTE: Throughout this guide, dimensions may vary by  $\pm 2$ mm (1/16"). Please read the installation guide for detailed information on installing the product. For full installation instructions & specifications visit [fisherpaykel.com](http://fisherpaykel.com)