

# 60cm Series 7 Contemporary Pyrolytic Oven, 11 Function

Series 7 | Contemporary

Stainless Steel



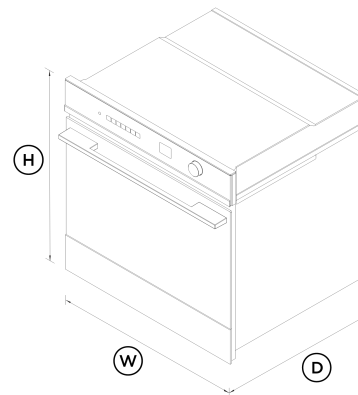
With beautiful Contemporary styling and generous capacity, this built-in oven helps to ensure that every dish you create is cooked to perfection.

- 85L total capacity with 11 oven functions including Pizza Bake, Roast, Slow Cook and Air Fry
- Moisture level control with ActiveVent technology

- Pyrolytic self-cleaning function breaks down food residue for an easy clean
- Wi-Fi enabled for remote control and notifications through the SmartHQ™ app

## DIMENSIONS

Height	598 mm
Width	596 mm
Depth	565 mm



## FEATURES & BENEFITS

### Multi-Function Flexibility

Each function has been perfected to ensure that no matter what you're cooking, you've got the right heat to match. This built-in oven has 11 functions including Pizza Bake, Roast, Slow Cook and Air Fry, allowing you to use a variety of cooking styles.

### Generous Capacity

With a generous 85L total capacity, you can create several perfectly cooked dishes at once using multiple shelves.

### Cook With Confidence

The intuitive 2.4" screen provides an intuitive guided cooking experience that helps to deliver perfect results, whether you've been cooking all your life or are just starting out. Cook by food type and allow your oven to guide you through steps, or change temperature and heat type automatically, depending on your selection.

### Exceptional performance

Our unique cooking technologies were developed to deliver perfect results. ActiveVent ensures optimised moisture levels, while AeroTech circulates heat evenly for a consistent temperature.

### Self-Cleaning

Pyrolytic self-clean breaks down food residue at a very high temperature, leaving a light ash that's easily removed with a damp cloth.

### Design Freedom

Designed to fit seamlessly into your kitchen, this built-in oven features premium materials and detailing to support a cohesive, considered kitchen design.

### Safe And Sound

The CoolTouch door features triple glazing and a cooling system that ensures it's safe to touch from the outside - protecting both your hands and the surrounding cabinetry.

## SPECIFICATIONS

<hr/>		Adjustable audio and display settings	•	Roast	•
<b>Accessories (included)</b>		Audio feedback	•	Slow cook	•
Chromed shelf runners	•	Automatic cooking/minute timer	•	Vent bake	•
Full extension sliding shelves	<b>1 set</b>	Automatic pre-set temperatures	•	<hr/>	
Grill rack	<b>1 set</b>	Celsius/Fahrenheit temperature	•	<b>Performance</b>	
Roasting dish	<b>1</b>	Delay start	•	ActiveVent™ system	•
Step down wire shelf	<b>1</b>	Electronic clock	•	AeroTech™ technology	•
Wire shelf	<b>1</b>	Electronic oven control	•	Automatic rapid pre-heat	•
<hr/>		Internal Light	•	Grill power	<b>3000 W</b>
<b>Capacity</b>		Multi-language display	<b>UK English, US English, Simplified Chinese, Français, Español</b>	Temperature range	<b>50°C - 280°C</b>
Shelf positions	<b>6</b>	Sabbath mode with Federation of Synagogues certification	•	Whisper Quiet Cooking	•
Total capacity	<b>85 L</b>	Smart appliance	•	<hr/>	
Usable capacity	<b>72 L</b>	Soft close doors	•	<b>Power requirements</b>	
<hr/>		True convection oven	•	Amperage	<b>15 A</b>
<b>Cleaning</b>		Turned stainless steel dials with illuminated halos	•	Supply frequency	<b>50 Hz</b>
Acid resistant graphite enamel	•	Wireless temperature sensor compatible	•	Supply voltage	<b>220-240 V</b>
Pyrolytic self-clean	•	<hr/>		<hr/>	
Removable oven door	•	<b>Functions</b>		<b>Product dimensions</b>	
Removable oven door inner glass	•	Air fry	•	Depth	<b>565 mm</b>
Removable shelf runners	•	Bake	•	Height	<b>598 mm</b>
<hr/>		Fan bake	•	Width	<b>596 mm</b>
<b>Consumption</b>		Fan forced	•	<hr/>	
Energy rating	<b>A</b>	Fan grill	•	<b>Safety</b>	
Energy usage	<b>0.94kWh/cycle</b>	Grill	•	Balanced oven door	•
In-use energy carbon emissions estimate	<b>0.3kgCO2e/cycle</b>	Number of functions	<b>11</b>	Catalytic venting system	•
<hr/>		Pizza bake	•	Control panel key lock	•
<b>Controls</b>		Pyrolytic self-clean	•	CoolTouch door	•

- Non-tip shelves
- Safety thermostat

---

#### Warranty

Parts and labour **5 years**

---

SKU **82751**

---

The product dimensions and specifications in this page apply to the specific product and model. Under our policy of continuous improvement, these dimensions and specifications may change at any time. You should therefore check with Fisher & Paykel's Customer Care Centre to ensure this page correctly describes the model currently available. © Fisher & Paykel Appliances Ltd 2020

#### Where applicable:

All appliances use energy, and energy usage typically generates carbon emissions. **Fisher & Paykel Appliances' In-use Energy Carbon Emissions Estimate** indicates carbon emissions from a product's in-use energy. This is calculated either annually or per cycle, using the product's market-specific energy label energy consumption data multiplied by the carbon emissions factor for energy in your country or region.

Our In-use Energy Carbon Emissions Estimate is designed to assist customers in making informed purchasing decisions when comparing different Fisher & Paykel products. For example, a heat pump dryer typically has a lower In-use Energy Carbon Emissions Estimate than a vented dryer.



**A PEACE OF MIND SALE**  
**24 Hours 7 Days a Week Customer Support**  
 T 1800 625174 W [www.fisherpaykel.com](http://www.fisherpaykel.com)

#### Other product downloads available at [fisherpaykel.com](http://fisherpaykel.com)

- [↓ 2D-DWG Oven](#)
- [↓ 2D-DXF Oven](#)
- [↓ ArchiCAD Oven](#)
- [↓ Datasheet Oven](#)
- [↓ Declaration of Conformity Oven](#)
- [↓ Energy Rating](#)
- [↓ Service & Warranty](#)
- [↓ Installation Guide Wall Oven](#)
- [↓ Product Information Sheet Oven](#)
- [↓ Revit Oven](#)
- [↓ Rhino Oven](#)
- [↓ SketchUp Oven](#)
- [↓ User Guide Convection Oven](#)