

8.5+5kg Series 7 Front Loader Washer Dryer Combo

Series 7 | Combination

White

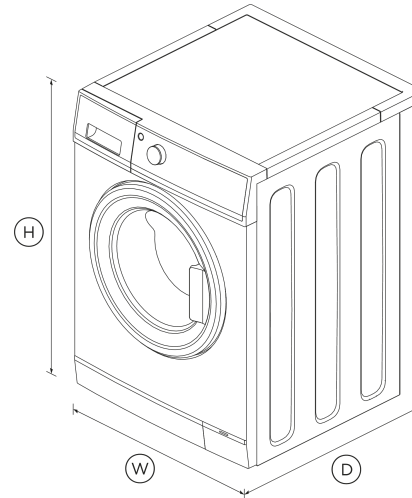


A complete laundry solution for when you need to maximise space while washing and drying your clothes with superior fabric care.

- With 10 continuous wash and dry cycles including Delicate and Quick wash, 10 wash only cycles and 9 dry only cycles
- 8.5kg wash load and 5kg dry load
- Easy installation with no venting required
- Wash and dry an average load in under three hours

DIMENSIONS

Height	850 mm
Width	600 mm
Depth	645 mm



FEATURES & BENEFITS

Two In One Convenience

This 60cm model fits into a standard space and does the work of a washer and dryer combined – offering a complete laundry solution.

Complete Fabric Care

Designed to care for every type of fabric with specialised cycles. The option of low-temperature drying helps prevent fabric damage, and a reverse-tumble drying action minimises tangling.

Add A Garment

Add a Garment allows you to pause your wash cycle, add or remove an item, then carry on washing.

Hot Spin Technology

Hot spin technology reduces moisture content to speed up the drying process – saving time and energy.

Quick Cycle Times

Wash and dry an average load in three hours or less.

Easy Installation

All that's required is a cold water inlet, a drain and power – no venting required.

SPECIFICATIONS

Capacity

Capacity **8.5 kg**

Consumption

Energy rating	4 star
Energy usage	325kWh/year
In-use energy carbon emissions estimate	211.7kgCO2e/year
Water consumption per cycle	61L
Water rating	5 star (WELS)
Water usage (per dry cycle)	34L

Dry Cycles

Cottons	•
Dryness levels	3
Everyday	•

- Heavy •
- Synthetics •
- Towels •

- Auto-Lint disposal •
- Maximum spin speed **1400 rpm**
- Number of spin speeds **5**
- SmartDrive™ technology •
- Vortex wash •

- Towels •

Features

- Add a garment (immediate door opening) •
- Anti-fungal door gasket •
- Auto out of balance correction •
- Child/Keylock •
- Cold water inlet •
- Controlled cold •
- Delay start •
- Detergent dispenser •
- Door and gasket flushing •
- Fabric softener dispenser •
- Flood protection •
- Interior light •
- Pre Wash •
- Progress indicator •
- Rinse + •
- SmartTouch™ control dial •
- Spin speeds **5**
- Stainless steel drum •
- Time to go •
- Water supply **Cold**
- Water temperature controls **5**
- Wrinkle Free •

Product dimensions

- Depth **645 mm**
- Height **850 mm**
- Width **600 mm**

Warranty

- Parts and labour **2 years**
- Parts only SmartDrive™ motor **10 years**

Wash Cycles

- Allergy •
- Cottons •
- Customise cycle •
- Delicate •
- Drum Clean •
- Everyday •
- Heavy •
- Quick 30 •
- Rinse •
- Sanitise •
- Spin •
- Synthetics •

Performance

SKU 93235

The product dimensions and specifications in this page apply to the specific product and model. Under our policy of continuous improvement, these dimensions and specifications may change at any time. You should therefore check with Fisher & Paykel's Customer Care Centre to ensure this page correctly describes the model currently available. © Fisher & Paykel Appliances Ltd 2020

Other product downloads available at fisherpaykel.com

- [↓ Energy & Water Label](#)
- [↓ Service & Warranty](#)
- [↓ Installation Guide](#)
- [↓ User Guide](#)

Where applicable:

All appliances use energy, and energy usage typically generates carbon emissions. **Fisher & Paykel Appliances' In-use Energy Carbon Emissions Estimate** indicates carbon emissions from a product's in-use energy. This is calculated either annually or per cycle, using the product's market-specific energy label energy consumption data multiplied by the carbon emissions factor for energy in your country or region.

Our In-use Energy Carbon Emissions Estimate is designed to assist customers in making informed purchasing decisions when comparing different Fisher & Paykel products. For example, a heat pump dryer typically has a lower In-use Energy Carbon Emissions Estimate than a vented dryer.



A PEACE OF MIND SALE

24 Hours 7 Days a Week Customer Support

T 1300 650 590 W www.fisherpaykel.com