

# 48" Series 7 DCS Grill with Rotisserie and Side Burners, LPG

Series 7 | All

Stainless Steel | LPG



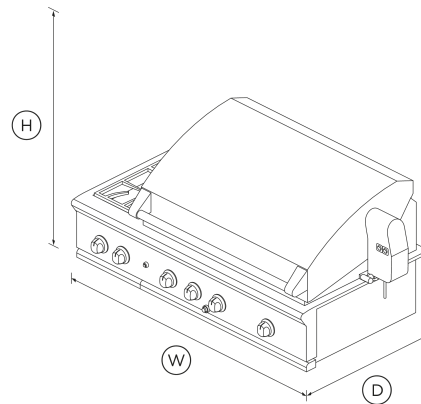
Plentiful room to prepare food, to grill or rotisserie while side burners allow you to cook your sides at the same time as your main.

- Three grill burners, infrared rotisserie burner and two side burners
- Build in to your outdoor kitchen bench, or purchase our DCS cart separately to create a freestanding grill.

- The infrared rotisserie burner is ideal for slow-cooking and roasting meats evenly with controlled searing.
- Constructed from 304-grade stainless steel, designed for outdoor durability and performance

## DIMENSIONS

Height	616 mm
Width	1217 mm
Depth	673 mm



## FEATURES & BENEFITS

### Grease Management System™

The patented Grease Management System™ reduces flare-ups by channelling grease and oils away from the burner flames during grilling.

### Full Surface Searing

Double-sided cast stainless steel grilling grates deliver perfect sear lines while at the same time, conveniently channelling away oil to an easily removable capture tray.

### Design Quality

Designed to last a lifetime and featuring heavy grade 304 stainless steel throughout, these grills are cleverly engineered and detailed with welded & polished seams, heavy duty fittings, handles and controls.

### Heavy-Duty Rotisserie

An infrared rotisserie burner provides controlled searing heat, and its heavy duty motor with stainless steel hexagonal rod and adjustable forks can accommodate a 25kg load.

### Total Visibility

The Smart Beam™ grill light illuminates the entire cooking surface for better visibility at night. A 40 watt halogen light is integrated into the patented weather proof rotisserie motor, making it easily accessible and ergonomic.

### Stainless Steel Burners

The precision ported u-shaped stainless steel burners are rated at a significant 27 MJ/h each - designed for premium quality and performance.

## SPECIFICATIONS

### Burner ratings

Grill burners	26.5 MJ/h
Integrated rotisserie burner	16.5 MJ/h
Integrated side burners	2
Regulator pressure	2.75 kPa
Total nominal gas consumption	125 MJ/h

**Cooking Surface Area**

Primary cooking area	<b>0.41 sq. m.</b>
Side burner area	<b>0.16 sq. m.</b>
Total cooking area	<b>0.72 sq. m.</b>
Warming rack area	<b>0.16 sq. m.</b>

**Features**

304 grade Stainless Steel burner tubes	•
304 Grade stainless steel gas manifold	•
Designer metal control knobs	•
Double sided Stainless Steel grilling grates	•
Full surface searing	•
Removable stainless steel warming rack	•
Rotisserie system	•
Secondary cooking	<b>1-level warming rack</b>
Stainless steel drip tray	•

**Finish**

Weather resistant	•
-------------------	---

**Installation**

Available in built-in or on cart applications	•
Optional cart mount	<b>CAD-48</b>

**Performance**

Ceramic radiant technology	•
----------------------------	---

Grease management system™	•
Speed of rotisserie	<b>6 rpm</b>
Weight rotisserie can handle	<b>25 kg</b>

**Power requirements**

Grill power supply	<b>9V Battery for Ignition</b>
Rotisserie power supply	<b>240 V</b>
Rotisserie supply frequency	<b>50 Hz</b>

**Product dimensions**

Depth	<b>673 mm</b>
Height	<b>616 mm</b>
Width	<b>1217 mm</b>

**Warranty**

Parts and labour	<b>Limited 2 years</b>
------------------	------------------------

SKU	85245
-----	-------

The product dimensions and specifications in this page apply to the specific product and model. Under our policy of continuous improvement, these dimensions and specifications may change at any time. You should therefore check with Fisher & Paykel's Customer Care Centre to ensure this page correctly describes the model currently available. © Fisher & Paykel Appliances Ltd 2020

Other product downloads available at [fisherpaykel.com](http://fisherpaykel.com)

- [↓ Installation & User Guide Professional Grill](#)
- [↓ Service & Warranty](#)

**Where applicable:**

All appliances use energy, and energy usage typically generates carbon emissions. **Fisher & Paykel Appliances' In-use Energy Carbon Emissions Estimate** indicates carbon emissions from a product's in-use energy. This is calculated either annually or per cycle, using the product's market-specific energy label energy consumption data multiplied by the carbon emissions factor for energy in your country or region.

Our In-use Energy Carbon Emissions Estimate is designed to assist customers in making informed purchasing decisions when comparing different Fisher & Paykel products. For example, a heat pump dryer typically has a lower In-use Energy Carbon Emissions Estimate than a vented dryer.



**A PEACE OF MIND SALE**  
**24 Hours 7 Days a Week Customer Support**  
 T 1300 650 590 W [www.fisherpaykel.com](http://www.fisherpaykel.com)