

Top Loader Washing Machine, 8.5kg

Series 5 | Top load

White

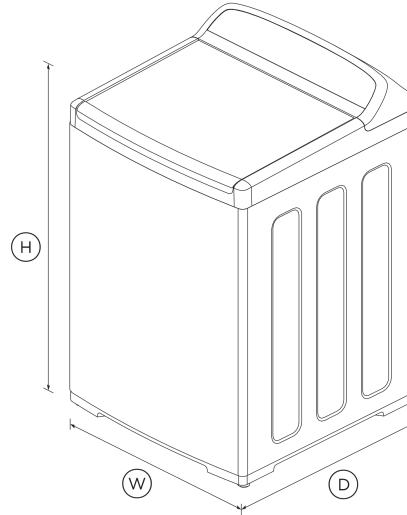


With room for large loads, this top loader runs on SmartDrive™ technology for a quieter, quicker wash.

- Six wash cycles including Allergy, Wool, Delicate and a 30 minute Quick cycle to cater to busy lives
- Includes extra wash feature Soak, for helping to clean tough stains
- Soft-close lid avoids slamming and allows for hands-free operation
- Fast 1000RPM spin speed to remove more water for quicker drying

DIMENSIONS

Height	1045 - 1075 mm
Width	600 mm
Depth	600 mm



FEATURES & BENEFITS

Fast Full Load

Fast cycle times allow you to wash a full 8.5kg load in as little as 59 minutes.

Easy To Use

This machine has a cycle to suit every type of load including Delicate, Allergy and Wool. Select a cycle with easy-to-use SmartTouch™ controls.

Soft Close Lid

The robust lid has a soft close mechanism that makes it family safe, avoids slamming and allows for hands-free operation.

Cares For Clothes

The flexible finned agitator ensures less tangling for superior clothes care.

SPECIFICATIONS

Capacity

Capacity **8.5 kg**

Consumption

Energy rating **2.5 star**
 Energy usage **568kWh/year**
 In-use energy carbon emissions estimate **76.9kgCO2e/year**
 Water consumption per cycle **96L**
 Water rating **3.5 star (WELS)**

Features

- Adjustable alert beeps
- Agitator **Flexible finned**
- Auto out of balance correction
- Automatic water level
- Controlled cold
- Delay start
- Detergent dispenser
- Eco rinse
- Fabric softener dispenser
- Lid lock

Manual water levels	5
No Spin / Spin hold	•
Rinse options	3
SmartTouch™ control dial	•
Soak	•
Spin speeds	3
Stainless steel drum	•
Water temperature controls	5

- Allergy •
- Delicate •
- Heavy •
- Number of wash cycles 6
- Quick •
- Regular •
- Wool •

All appliances use energy, and energy usage typically generates carbon emissions. **Fisher & Paykel Appliances' In-use Energy Carbon Emissions Estimate** indicates carbon emissions from a product's in-use energy. This is calculated either annually or per cycle, using the product's market-specific energy label energy consumption data multiplied by the carbon emissions factor for energy in your country or region.

Our In-use Energy Carbon Emissions Estimate is designed to assist customers in making informed purchasing decisions when comparing different Fisher & Paykel products. For example, a heat pump dryer typically has a lower In-use Energy Carbon Emissions Estimate than a vented dryer.

Performance

SKU 92263

Auto-Lint disposal	•
Load sensing	•
Maximum spin speed	1000 rpm
Number of spin speeds	3
SmartDrive™ technology	•

The product dimensions and specifications in this page apply to the specific product and model. Under our policy of continuous improvement, these dimensions and specifications may change at any time. You should therefore check with Fisher & Paykel's Customer Care Centre to ensure this page correctly describes the model currently available. © Fisher & Paykel Appliances Ltd 2020



A PEACE OF MIND SALE
24 Hours 7 Days a Week Customer Support
 T 0800 372 273 W www.fisherpaykel.com

Product dimensions

Depth	600 mm
Height	1045 - 1075 mm
Height (Lid open)	1350 - 1380mm
Width	600 mm

Other product downloads available at fisherpaykel.com

- ↓ [Energy & Water Label](#)
- ↓ [Service & Warranty](#)
- ↓ [Installation Guide](#)
- ↓ [User Guide](#)

Warranty

Where applicable:

Parts and labour	2 years
Parts only SmartDrive™ motor	10 years

Wash Cycles