

ASSISTED OPENING ACCESSORY

PLANNING GUIDE

OPEX1, OPIN1, OPIN1EX1RSB, OPIN1EX1RSW

FISHER & PAYKEL

This comprehensive planning guide provides you with the framework and tools to achieve your desired design outcome with Fisher & Paykel appliances. In this guide, you will find a range of conceptual, detailed, and dimensional product information to bring your ideas to life and create spaces that truly reflect your vision.

CONTENTS

CONCEPT DESIGN	PAGE	DEVELOPED AND DETAILED DESIGN	PAGE	DEVELOPED AND DETAILED DESIGN	PAGE
Specification Guide	3	Design Planning	12	Data Sheets	21
System Overview	4	DishDrawer™ with AOA	13	AOA Main Body with tabs	22
Design Decisions	5	CoolDrawer™ with AOA	14	AOA Main Body without tabs	23
Assisted Opening Placement	6	Underbench, 60cm wide, with AOA	15	AOA Lens Cover	24
Assisted Opening Overview	7	Refrigerator or Freezer, 60cm wide, with AOA	16	AOA Striker Plate and Cover	25
Appliance Overview	8	Refrigerator Freezer, 60cm wide, with AOA	17	AOA Mounting Bracket Assembly	26
AOA internal Installation	9	Column Refrigerator or Freezer, 2.1m high, with AOA	18	Fixed Shelf	27
AOA External Installation	10	Refrigerator Freezer, 2.1m high, with AOA	19	Bridge Trim	28
AOA Cabinetry Considerations	11	Services	20		

The models shown in this Planning Guide may not be available in all markets and are subject to change at any time. Product specifications may vary from those shown. This Planning Guide should not be used as installation guidance for any product. Further information is required to safely and correctly install the products featured here. Specific installation guidance will be available with the product on delivery and on our website fisherpaykel.com

SPECIFICATION GUIDE

OVERVIEW

Designed for a seamless, handle-free kitchen, the Assisted Opening Accessory enhances the functionality of Fisher & Paykel appliances. With push- or pull-to-open options for refrigerators or the CoolDrawer™, and knock-to-open for DishDrawer™ Dishwashers, it combines convenience with effortless style. The accessory's durable design ensures long-lasting performance, making it a reliable addition to any kitchen.

COMPATIBLE PRODUCTS*

OPIN1

Integrated Refrigerator or Freezer, 1.88m high, Integrated Wine or Beverage, under-counter

OPIN1EX1RSB

Integrated Refrigerator Freezer, 1.88m high

OPIN1EX1RSW

Integrated Refrigerator Freezer, 2.1m high

OPEX1

Integrated Column Refrigerator or Freezer, Integrated Column Wine Cabinet, Integrated DishDrawer™ Dishwasher, Integrated CoolDrawer™ Multi-temperature Drawer

FEATURES

- ① Created for Fisher & Paykel products, with a durable design that's built to last
- ② For refrigeration, push/pull any where on the door panel to open.
- ③ The accessory will automatically close the door or drawer if assisted opening was activated but not fully opened.
- ④ For DishDrawer™ dishwasher, knock to open allows for safe interruption during a cycle.
- ⑤ Produces a subtle sound when activated, consistent with other assisted opening hardware in the kitchen

OPTIONS

Push-to-Open

For handleless cabinetry (Refrigeration only)

Pull-to-Open

For handle-assisted opening (Refrigeration only)

Knock-to-Open

For DishDrawer™ Dishwasher only (handleless or handle-assisted)



*Refer to full list of models on 'Appliance Overview' page.

DESIGN CONSIDERATION

- ① Designed to integrate seamlessly into any kitchen for a clean, handleless look
- ② Simple to install, with no custom tools or electrician required.
- ③ Each accessory comes with all necessary components for an easy installation.
- ④ Pressure sensitivity can be adjusted during installation to suit individual preferences.

The models shown in this Planning Guide may not be available in all markets and are subject to change at any time. Product specifications may vary from those shown. This Planning Guide should not be used as installation guidance for any product. Further information is required to safely and correctly install the products featured here. Specific installation guidance will be available with the product on delivery and on our website fisherpaykel.com

DESIGN DECISIONS

AOA PLACEMENT

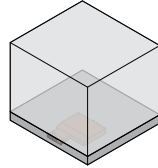
AOA can be placed in three different positions dependant on appliance type. Where more than one AOA unit is used a variety of install types may be required.

Important note: AOA can not be used with French Door refrigeration models.

AOA BELOW APPLIANCE

Additional cavity height and cabinetry features required below appliance.

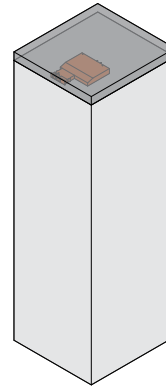
Custom panel only.



AOA ABOVE APPLIANCE

Additional cavity height and cabinetry features required above appliance.

Custom panel only.



AOA INSIDE APPLIANCE

Standard cabinetry requirements.

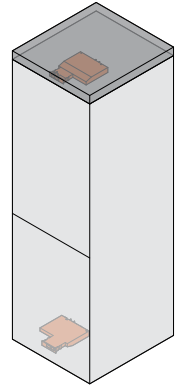
Custom panel or stainless steel panel.



AOA INSIDE AND ABOVE APPLIANCE

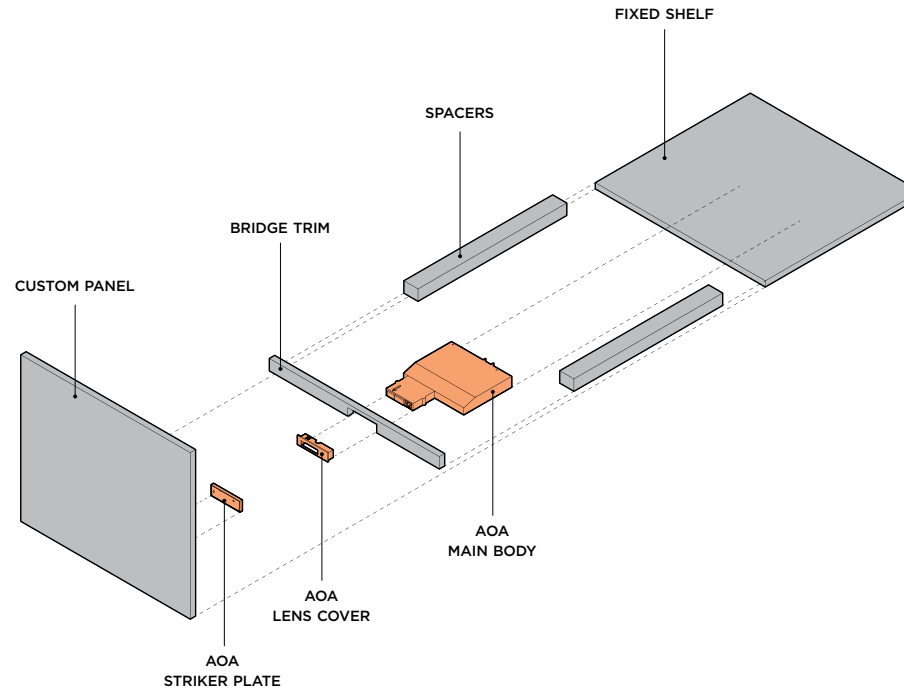
Additional cavity height and cabinetry features required above appliance.

Custom panel only.



CABINERY REQUIREMENT

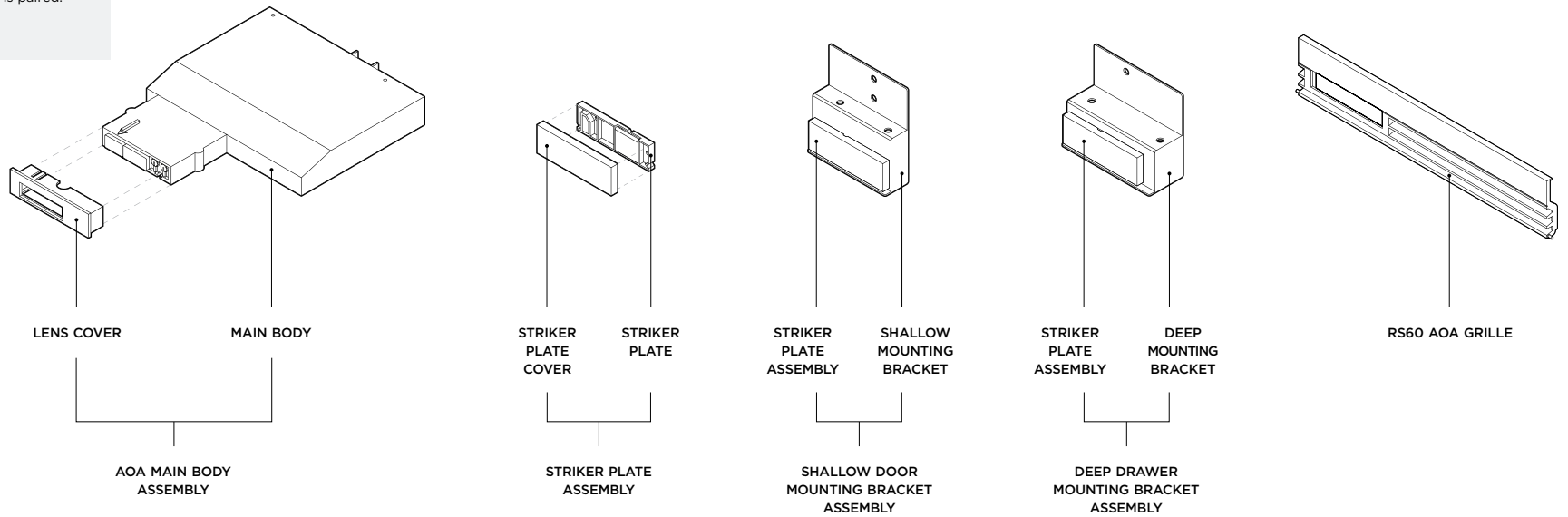
Where AOA is installed outside of the appliance common cabinetry requirements apply.



The models shown in this Planning Guide may not be available in all markets and are subject to change at any time. Product specifications may vary from those shown. This Planning Guide should not be used as installation guidance for any product. Further information is required to safely and correctly install the products featured here. Specific installation guidance will be available with the product on delivery and on our website fisherpaykel.com

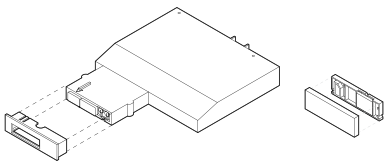
ASSISTED OPENING ACCESSORY KIT OPTIONS

The AOA is supplied as a kit of components and is available in four variants to suit the appliance to which it is paired.



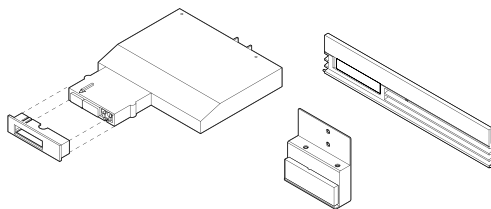
OPEX1

Single AOA unit with striker assembly to suit installs in kitchen cabinetry above or below the product. Includes communication harness for DishDrawer product.



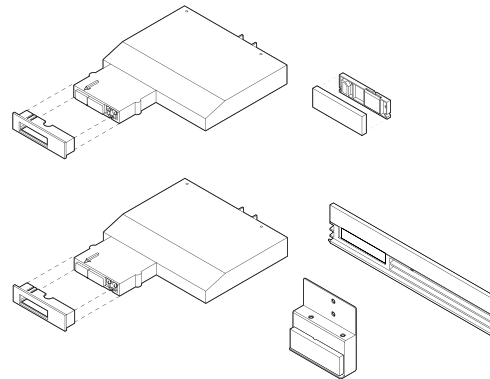
OPIN1

Single AOA unit with shallow door striker bracket assembly to suit single door, 60cm wide, Integrated Refrigeration products.



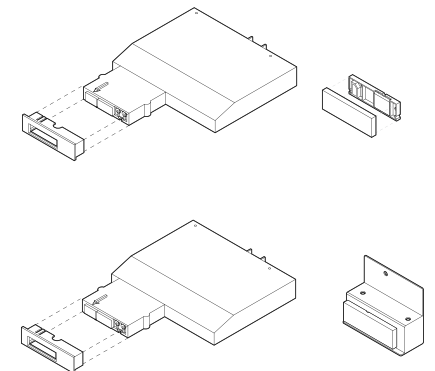
OPINEXIRSB

Two AOA units with striker assembly for cabinetry and shallow door striker bracket assembly to suit 60cm wide, Integrated Refrigerator Freezer (two door).



OPINEXIRSW

Two AOA units with striker assembly for cabinetry and deep drawer striker bracket assembly to suit 2.1m high, Integrated Refrigerator Freezer (two door). Includes stud and thumb nut fasteners.



The models shown in this Planning Guide may not be available in all markets and are subject to change at any time. Product specifications may vary from those shown. This Planning Guide should not be used as installation guidance for any product. Further information is required to safely and correctly install the products featured here. Specific installation guidance will be available with the product on delivery and on our website fisherpaykel.com

	DISHWASHING	INTEGRATED REFRIGERATION, UNDER-COUNTER		INTEGRATED REFRIGERATION, 1.88M HIGH		INTEGRATED REFRIGERATION, 2.1M HIGH	
	DISHDRAWER™ DISHWASHER	COOLDRAWER™	WINE & BEVERAGE	SINGLE DOOR	BOTTOM FREEZER, DOOR	COLUMN SINGLE DOOR	BOTTOM FREEZER, DRAWER
Series	Series 11	Series 9	Series 9	Series 9	Series 9	Series 11	Series 11
Cavity Height	min 513	min 701	864-900 (876 shown)	1880	min 1937 (with AOA)	min 2191 (with AOA)	min 2191 (with AOA)
Panel Option	Custom Panel	Custom Panel	Custom or Stainless Steel Panel	Custom or Stainless Steel Panel	Custom Panels	Custom Panel	Custom Panels
Models	DD60STX6I1 Integrated Single DishDrawer™ Dishwasher, Tall, Sanitise	RB90S64MKIW1 90cm Integrated CoolDrawer™ Multi-temperature Drawer	RS6009V2R1 60cm Integrated Wine Cabinet, 35 bottles RS6009V2RT1 60cm Integrated Wine Cabinet, 35 bottles (window) RS6009SBL1 60cm Integrated Beverage Centre, 129L RS6009SBLT1 60cm Integrated Beverage Centre, 129L (window)	RS6019S2R1 60cm Integrated Dual Zone Refrigerator RS6019S3RH1 60cm Integrated Triple Zone Refrigerator, Water RS6019F2L1 60cm Integrated Dual Zone Freezer RS6019F3LJ1 60cm Integrated Triple Zone Freezer, Ice	RS6019BRU1 60cm Integrated Refrigerator Freezer, Ice & Water	RS6121SRK1 61cm Integrated Column Refrigerator RS6121SRHK1, RS6121SRHE1, RS6121SLHE1 61cm Integrated Column Refrigerator, Water RS7621SRK1 76cm Integrated Column Refrigerator RS7621SRHK1, RS7621SRHE1, RS7621SLHE1 76cm Integrated Column Refrigerator, Water RS4621FRJK1, RS4621FRJE1, RS4621FLJE1 46cm Integrated Column Freezer, Ice RS6121FRJK1, RS6121FRJE1, RS6121FLJE1 61cm Integrated Column Freezer, Ice RS7621FRJK1, RS7621FRJE1, RS7621FLJE1 76cm Integrated Column Freezer, Ice RS6121VL2K1, RS6121VR2K1 61cm Integrated Column Wine Cabinet	RS6121WRUK1, RS6121WLUE1, RS6121WRUE1, RS6121WLUE1 61cm Integrated Refrigerator Freezer, Ice & Water RS7621WRUK1, RS7621WLUE1, RS7621WRUE1, RS7621WLUE1 76cm Integrated Refrigerator Freezer, Ice & Water
AOA Kit	OPEX1	OPEX1	OPIN1	OPIN1	OPINEX1RSB	OPEX1	OPINEX1RSW
Front Elevation							
Side Elevation							

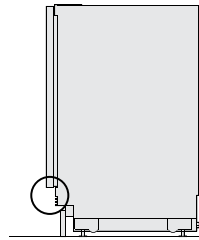
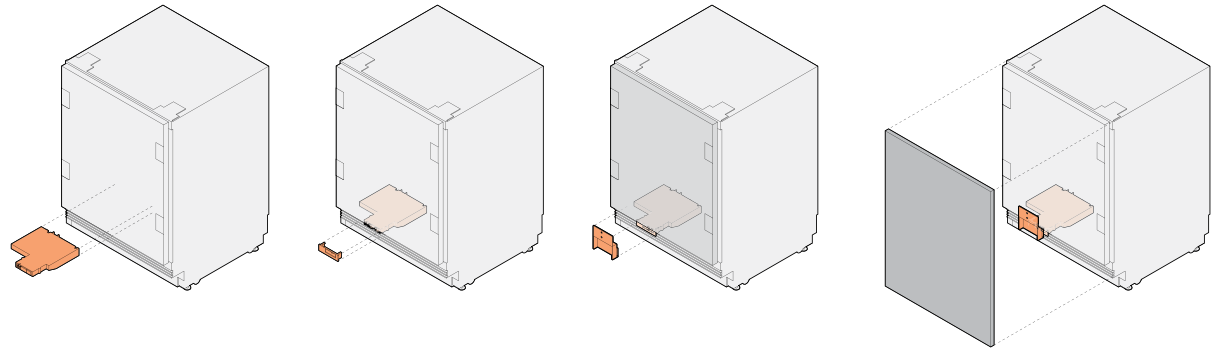
The models shown in this Planning Guide may not be available in all markets and are subject to change at any time. Product specifications may vary from those shown. This Planning Guide should not be used as installation guidance for any product. Further information is required to safely and correctly install the products featured here. Specific installation guidance will be available with the product on delivery and on our website fisherpaykel.com

INTERNAL PRODUCT INSTALL

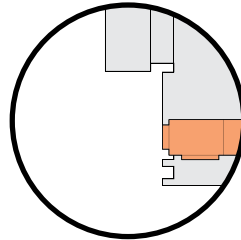
This is a typical overview for the installation of AOA units fitted inside an appliance. AOA components are shown however appliance specific components such as grilles and fasteners have been omitted.

Refer to installation guides for appliance specific components and instructions.

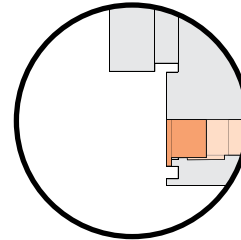
No bespoke cabinetry is required when AOA is installed internally in an appliance.



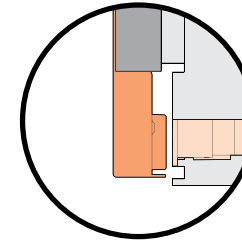
SPACERS
Provide clearance for AOA main body. Height can be increased to suit cabinetry requirements.



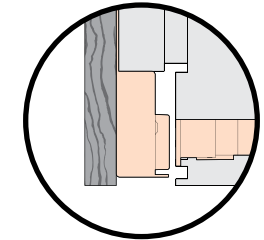
AOA MAIN BODY
Orientated upside down. Positioned within appliance body



LENS COVER
Clips onto main body. Front is flush with grille.

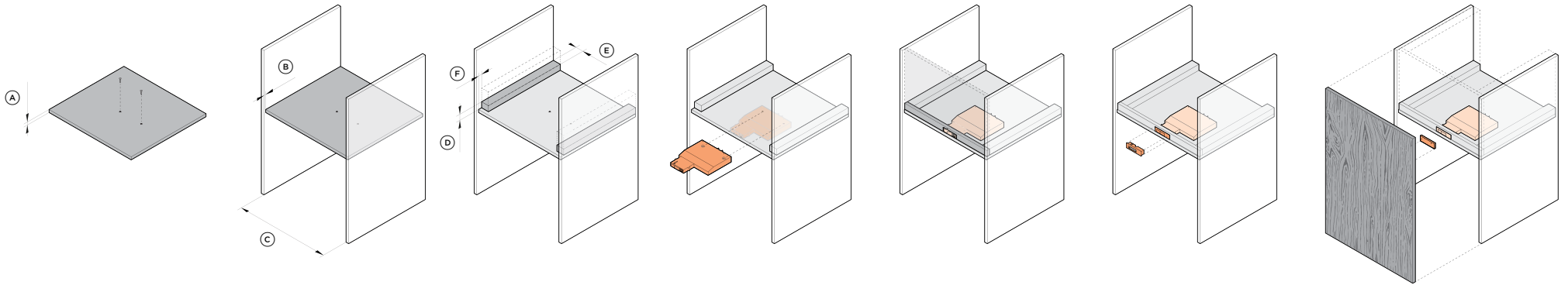


STRIKER PLATE MOUNTING BRACKET
Fastened to internal door with supplied fasteners. Brackets comes in 2 variants specific to appliance type, shallow and deep.



CUSTOM PANEL
Secured to internal door via fastening brackets. Mounting bracket does not interfere with custom panel fastening or alignment.

The models shown in this Planning Guide may not be available in all markets and are subject to change at any time. Product specifications may vary from those shown. This Planning Guide should not be used as installation guidance for any product. Further information is required to safely and correctly install the products featured here. Specific installation guidance will be available with the product on delivery and on our website fisherpaykel.com



FIXED SHELF

Option to pre-drill and fasten AOA shoulder screws prior to cabinetry assembly - refer data sheet.

FIXED SHELF

Set back from front of cabinetry carcass. **MUST BE SECURELY FASTENED.**

SPACERS

Provide clearance for AOA main body. Height can be increased to suit cabinetry requirements.

AOA MAIN BODY

Slides onto shoulder bolts.

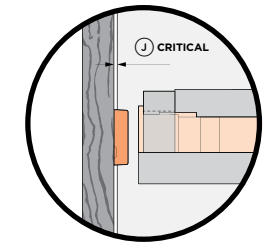
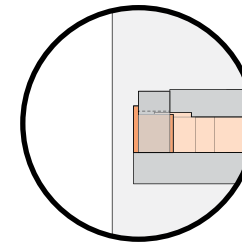
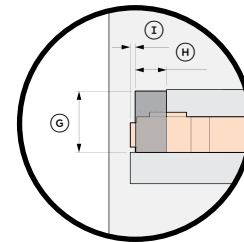
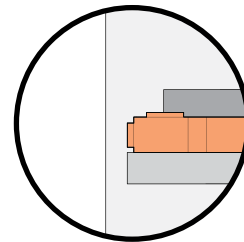
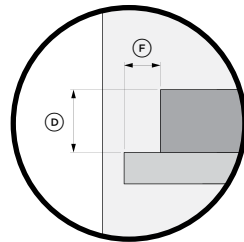
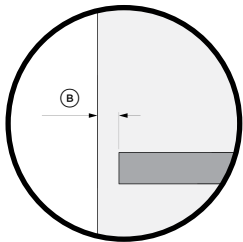
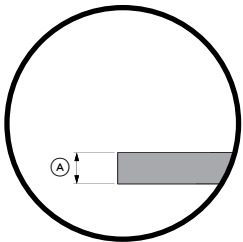
BRIDGE TRIM

Positioned against spacer bolts. Must be removable for servicing of AOA. Height can be increased.

LENS COVER

STRIKER PLATE

Attaches to inside of custom panel (attached to appliance).



INTERNAL PRODUCT INSTALLATION

For appliances where the AOA unit cannot be accommodated within the chassis, custom cabinetry is required to house the AOA unit.

This is a typical overview for the installation of AOA units fitted outside an appliance. These cabinetry components are common across appliances however need to be adapted to suit appliance cavity width and position above or below the appliance.

For full installation instructions refer to Installation Guide.

CUSTOM CABINERY DIMENSIONS

	mm
Ⓐ Fixed shelf panel thickness*	19
Ⓑ Fixed shelf set back from front of cabinetry carcass	11
Ⓒ Width of fixed shelf	to suit appliance cavity
Ⓓ Height of spacers	min 38
Ⓔ Spacer set back from front of fixed shelf **	22
Ⓕ Width of spacer	
DishDrawer	60
CoolDrawer	36-50
Refrigeration	50

Ⓖ Recommended height of bridge trim ***	min 37
Ⓗ Thickness of bridge trim panel	19
Ⓘ Bridge trim set back from front of fixed shelf	3
Ⓝ Distance from back of custom panel and front of cabinetry carcass ****	2

* Minimum panel thickness 16mm. AOA cavity height based on 19mm shelf thickness.
 ** Presumes bridge trim thickness of 19mm
 *** Based on spacer height of 38mm, allows 1mm clearance for removal during servicing.
 **** Critical for 'push to open' function and seal on DishDrawer

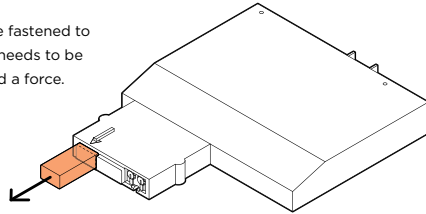
The models shown in this Planning Guide may not be available in all markets and are subject to change at any time. Product specifications may vary from those shown. This Planning Guide should not be used as installation guidance for any product. Further information is required to safely and correctly install the products featured here. Specific installation guidance will be available with the product on delivery and on our website fisherpaykel.com

AOA CABINETRY CONSIDERATIONS

When designing cabinetry for AOA positioned outside of the appliance it is important to understand and ensure the following.

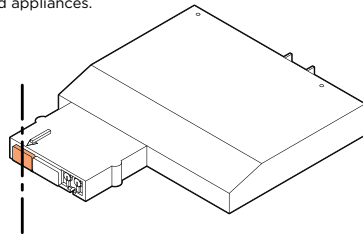
ACTUATOR OPENS DOOR

Pushes against striker plate fastened to front panel. Custom panel needs to be strong enough to withstand a force.



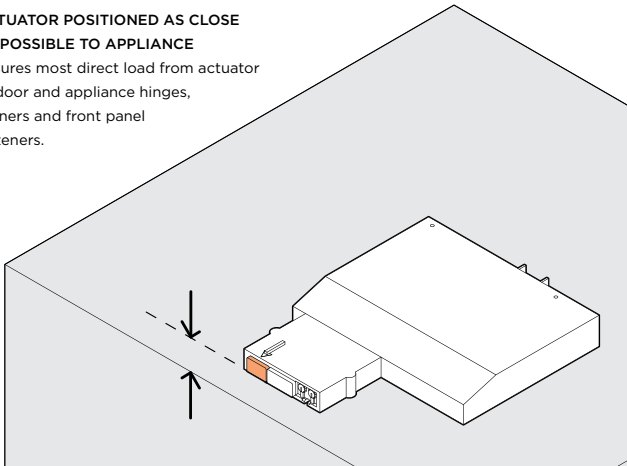
ACTUATOR POSITIONED IN CENTRE OF CAVITY

Prevents drawers from racking and provides best solution for left or right hand hinged appliances.



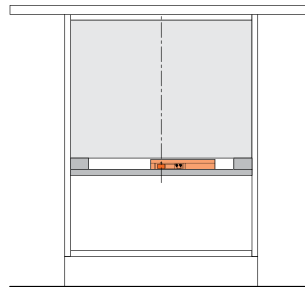
ACTUATOR POSITIONED AS CLOSE AS POSSIBLE TO APPLIANCE

Ensures most direct load from actuator to door and appliance hinges, runners and front panel fasteners.



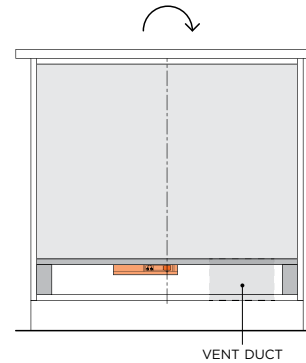
APPLIANCE SPECIFIC AOA CABINETRY CONSIDERATIONS

Appliance position and size in cabinetry results in varying applications of where and how the AOA unit is positioned. Recommended combinations are shown.



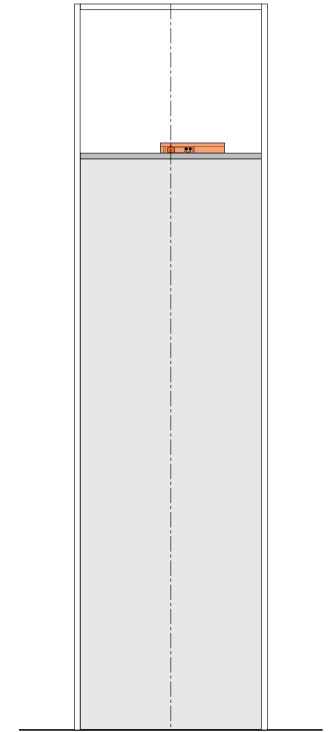
DISHDRAWER

AOA positioned upright below appliance as close as possible to runners. Cavity below DishDrawer can be used for storage. If AOA cabinetry height is increased significantly it is recommended to position AOA unit upside down as shown for Cooldrawer.



COOLDRAWER

AOA positioned upside down below appliance to ensure proximity to appliance runners and create clearance for CoolDrawer vent duct. When positioning Cooldrawer consider placing away from high use areas, for example under a cooktop, to reduce occurrence of accidental opening of drawer.



REFRIGERATION

AOA positioned upright above appliance. Actuator positioned in centre of cavity for optimum position for either left or right hand hinge.

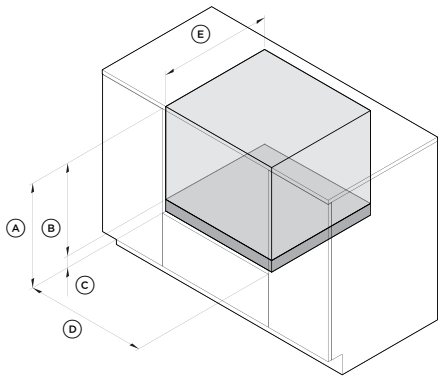
IMPORTANT NOTE:

The AOA unit must be located underneath an appliance drawer for proximity to drawer runners. It is not recommended to position the AOA unit above a drawer appliance.

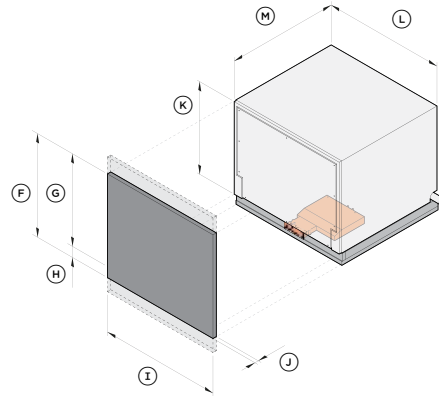
The models shown in this Planning Guide may not be available in all markets and are subject to change at any time. Product specifications may vary from those shown. This Planning Guide should not be used as installation guidance for any product. Further information is required to safely and correctly install the products featured here. Specific installation guidance will be available with the product on delivery and on our website fisherpaykel.com

DESIGN PLANNING

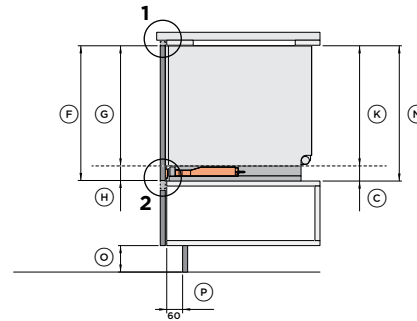
IMPORTANT NOTE:
AOA must be located underneath appliance drawer for proximity to drawer runners. It is not recommended to position AOA above appliance.



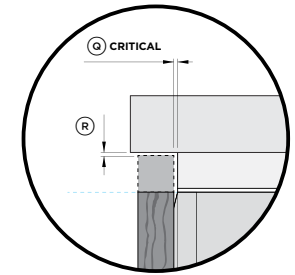
ISOMETRIC: CAVITY



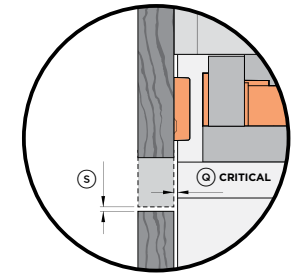
EXPLODED ISOMETRIC: PRODUCT



SIDE ELEVATION: PRODUCT



DETAIL 1: UPPER CABINETRY CLEARANCE



DETAIL 2: LOWER CABINETRY CLEARANCE

CAVITY DIMENSIONS	mm
Ⓐ Overall height of cavity*	min 513
Ⓑ Height of appliance cavity	456
Ⓒ Height of AOA cavity**	min 57
Ⓓ Width of cavity	600
Ⓔ Minimum depth of cavity ***	560

* Includes minimum cavity allowance for AOA cabinetry
 ** Assumes fixed panel thickness of 19mm.
 *** Does not include front panels

CUSTOM PANEL DIMENSIONS	mm
Ⓕ Overall height of custom drawer panel from top of Dishdrawer chassis	min 509
Ⓖ Height from bottom of chassis to top of custom drawer panel	min 454
Ⓗ Height from bottom of chassis to bottom of custom drawer panel	min 55
Ⓘ Width of custom drawer panel	min 596
Ⓚ Depth of custom drawer panel	16 - 20

CUSTOM PANEL WEIGHTS	kg
Maximum weight of drawer panel	9

PRODUCT DIMENSIONS	mm
Ⓢ Height of DishDrawer™ Dishwasher	454
Ⓛ Width of DishDrawer™ Dishwasher	599
Ⓜ Depth of DishDrawer™ Dishwasher	553
Ⓝ Overall height of appliance and AOA cabinetry assembly****	min 602

**** Assumes fixed shelf thickness of 19mm.

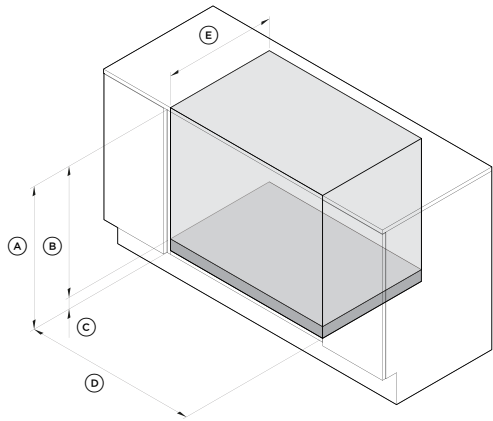
CLEARANCE DIMENSIONS	mm
Ⓟ Minimum kick height*****	100
Ⓠ Minimum depth from front of cabinetry carcass to front of kick strip*****	60
Ⓣ CRITICAL clearance depth between back of custom panels and front of cabinetry carcass***	2-3
Ⓡ Vertical clearance between top of custom drawer panel and any obstruction above	min 2
Ⓢ Vertical clearance between top of custom drawer panel and lower cabinetry panel	min 2
Horizontal clearance between sides of custom drawer panel and adjacent panels (not shown)	min 2

***** For venting through cabinet. Not applicable if vented through floor. Refer DishDrawer installation Guide for further details.
 ***** Only applicable where there is an overlap between front panel and cabinetry carcass, enables Dishdrawer seal to engage.

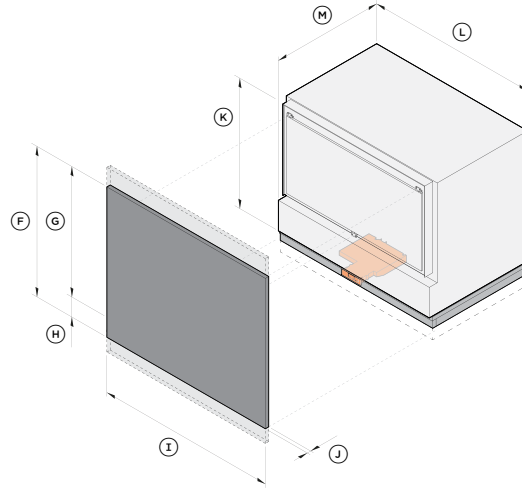
The models shown in this Planning Guide may not be available in all markets and are subject to change at any time. Product specifications may vary from those shown. This Planning Guide should not be used as installation guidance for any product. Further information is required to safely and correctly install the products featured here. Specific installation guidance will be available with the product on delivery and on our website fisherpaykel.com

IMPORTANT NOTE:

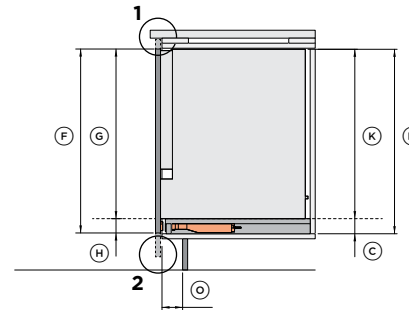
AOA must be located underneath appliance drawer for proximity to drawer runners. It is not recommended to position AOA above appliance.



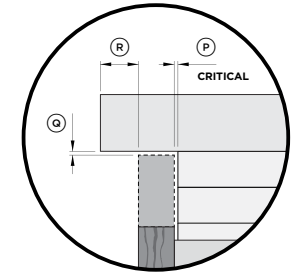
ISOMETRIC: CAVITY



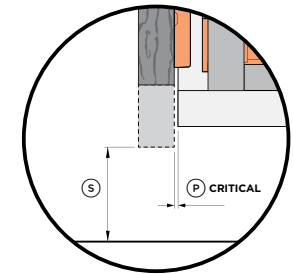
EXPLODED ISOMETRIC: PRODUCT



SIDE ELEVATION: PRODUCT



DETAIL 1: UPPER CABINERY CLEARANCE



DETAIL 2: FLOOR CLEARANCE

CAVITY DIMENSIONS	mm
Ⓐ Overall height of cavity*	min 701
Ⓑ Height of appliance cavity	644
Ⓒ Height of AOA cavity**	min 57
Ⓓ Width of cavity	min 862
Ⓔ Depth of cavity***	min 560

* Includes minimum cavity allowance for AOA cabinetry

** Assumes fixed panel thickness of 19mm.

*** Does not include front panels

CUSTOM PANEL DIMENSIONS	mm
Ⓕ Overall height of custom drawer panel	min 695
Ⓖ Height from bottom of chassis to top of custom drawer panel	min 641
Ⓜ Height from bottom of chassis to bottom of custom drawer panel	min 54
Ⓢ Width of custom drawer panel	min 898
Ⓣ Depth of door panel	16 - 20

CUSTOM PANEL WEIGHTS	kg
Maximum weight drawer panel	7

PRODUCT DIMENSIONS	mm
Ⓚ Height of CoolDrawer™	640
Ⓛ Width of CoolDrawer™	855
Ⓝ Depth of CoolDrawer™	557
Ⓝ Minimum overall height of appliance and AOA cabinetry assembly* (excludes customs panels)	697

* To ensure unobstructed airflow from duct outlet

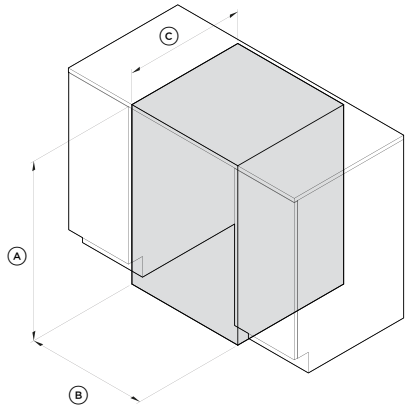
CLEARANCE DIMENSIONS	mm
Ⓞ Depth from front of cabinetry carcass to front of kick strip**	min 78
Ⓟ CRITICAL clearance depth between back of custom panels and front of cabinetry carcass***	1-3
Ⓠ Cabinetry clearance from top of door panel	min 3
Cabinetry clearance from side of door panel (not shown)	min 2
Ⓡ Overhang of front of bench to front of door panel	max 20
Ⓢ Clearance between bottom of door panel and floor	min 50

** Required for venting of CoolDrawer™

*** Only applicable where there is an overlap between front panel and cabinetry carcass.

**** 2mm recommended for optimal functioning of AOA. 1-3mm

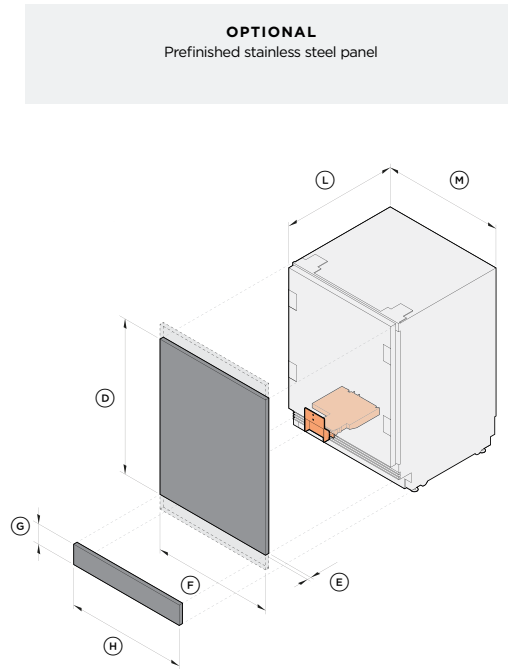
The models shown in this Planning Guide may not be available in all markets and are subject to change at any time. Product specifications may vary from those shown. This Planning Guide should not be used as installation guidance for any product. Further information is required to safely and correctly install the products featured here. Specific installation guidance will be available with the product on delivery and on our website fisherpaykel.com



ISOMETRIC: CAVITY

CAVITY DIMENSIONS	mm
Ⓐ Overall height of cavity* #	
• Minimum foot height	864
• Maximum foot height	900
• Recommended height to align top of SS door panel with top of lower door of RS60 bottom mount.	876
Ⓑ Width of cavity	600
Ⓒ Depth of cavity***	
• services outside of cavity	581
• services above cavity	591
• services at rear of cavity	631

* AOA positioned within appliance, no additional cabinetry required.
 # Appliance feet are adjustable by 36mm
 ** Recommended height to align top of SS door panel with top of lower door of RS60 bottom mount.
 *** Does not include front panels

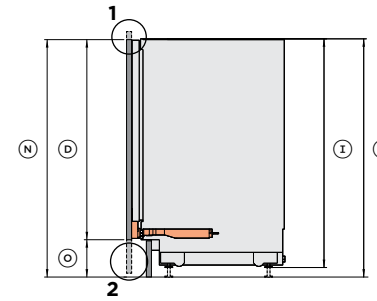


EXPLODED ISOMETRIC: PRODUCT WITH CUSTOM PANEL

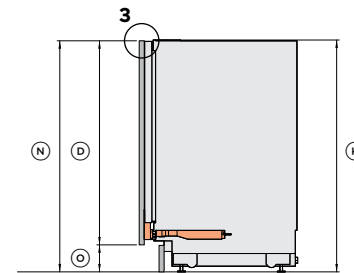
PANEL DIMENSIONS	mm
Ⓓ Height of door panel	
• Custom panel (at min and max feet heights)	min 756
• Stainless steel panel	771
Ⓔ Depth of door panel	
• Custom panel	16 - 19
• Stainless steel	19
Ⓕ Width of custom door panel	
• Single install	592
• Dual install	594
• Triple install	594.5
Ⓖ Height of toe kick panel	
• Minimum foot height	max 102
• Maximum foot height	max 138
• Stainless steel panel	100
Ⓗ Width of toe kick panel	597

CUSTOM PANEL WEIGHTS	kg
Maximum weight of custom door panel	19

OPTIONAL
 Prefinished stainless steel panel

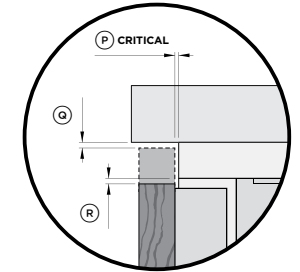


SIDE ELEVATION: PRODUCT WITH CUSTOM PANEL

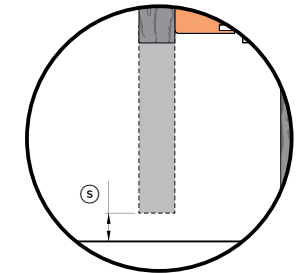


SIDE ELEVATION: PRODUCT WITH STAINLESS STEEL PANEL

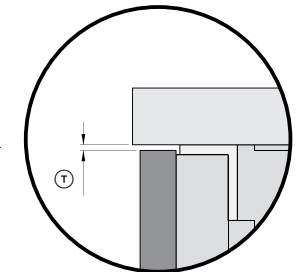
PRODUCT DIMENSIONS	mm
Height of appliance	
Ⓘ Minimum foot height	864
Ⓝ Maximum foot height	900
Ⓚ Recommended for stainless steel door panel **	876
Ⓛ Width of appliance	592
Ⓜ Depth of appliance (excluding door panel)	579
Ⓝ Height from floor to top of door panel	
• Minimum foot height	861
• Maximum foot height	897
• Stainless steel panel	873
Ⓒ Height from floor to bottom of door panel	
• Minimum foot height with custom panel	15 - 105
• Maximum foot height with custom panel	15 - 141
• Stainless steel door panel	102



DETAIL 1:
 CUSTOM
 PANEL UPPER
 CABINETS
 CLEARANCE



DETAIL 2:
 CUSTOM
 PANEL FLOOR
 CLEARANCE

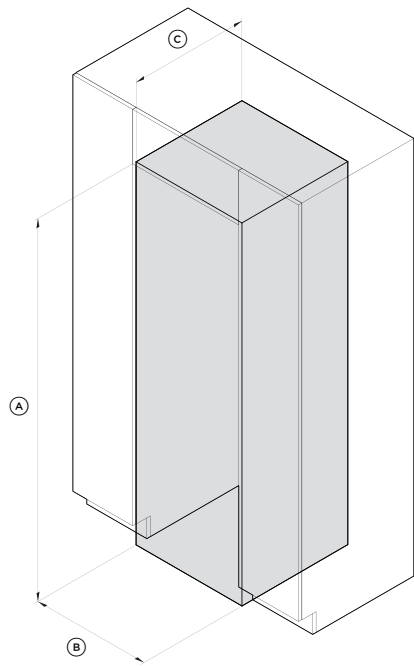


DETAIL 3:
 STAINLESS STEEL
 PANEL UPPER
 CABINETS
 CLEARANCE

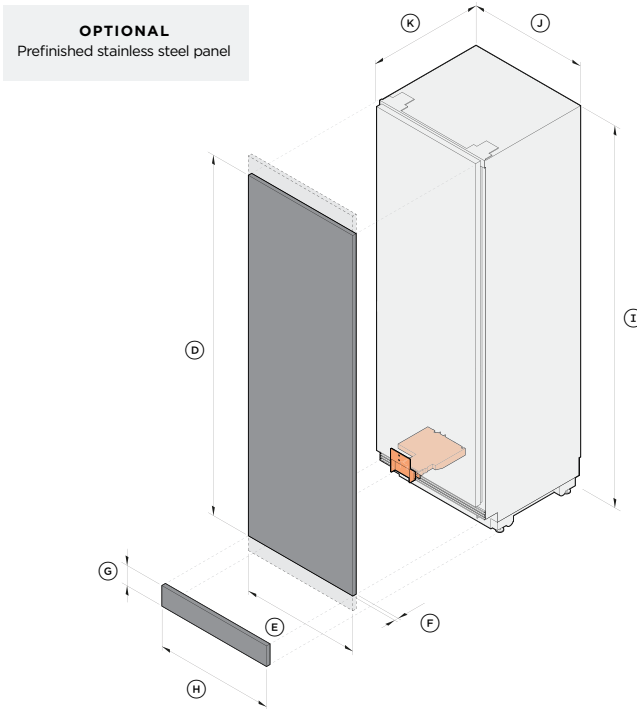
CLEARANCE DIMENSIONS	mm
Ⓟ CRITICAL clearance depth between back of custom panels and front of cabinetry carcass*	2-3
Ⓒ Cabinetry clearance from top of door panel	min 3
Ⓡ Height of door panel below top of chassis	max 3
Ⓢ Clearance between bottom of custom door panel floor	min 15
Ⓣ Height from top of stainless panel to top of chassis	3
Cabinetry clearance from side of door panel (not shown)	min 4

* Only applicable where there is an overlap between front panel and cabinetry carcass.

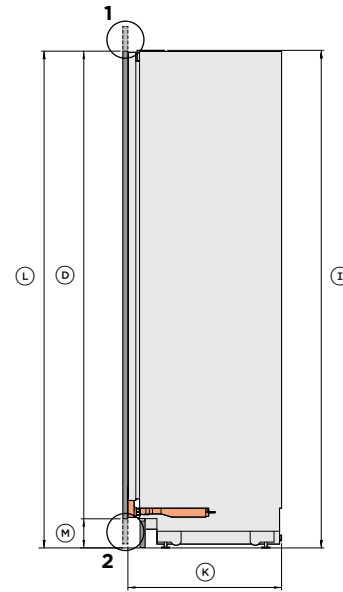
The models shown in this Planning Guide may not be available in all markets and are subject to change at any time. Product specifications may vary from those shown. This Planning Guide should not be used as installation guidance for any product. Further information is required to safely and correctly install the products featured here. Specific installation guidance will be available with the product on delivery and on our website fisherpaykel.com



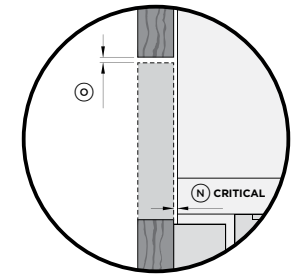
ISOMETRIC: CAVITY



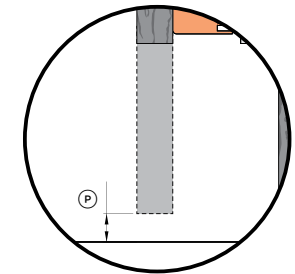
EXPLODED ISOMETRIC: PRODUCT



SIDE ELEVATION: PRODUCT



DETAIL 1: UPPER DOOR CLEARANCE



DETAIL 2: FLOOR CLEARANCE

CAVITY DIMENSIONS	mm
Ⓐ Overall height of cavity*	1880
Ⓑ Width of cavity	600
Ⓒ Depth of cavity**	
• services outside of cavity	581
• services above cavity	591
• services at rear of cavity	631

* AOA positioned within appliance, no additional cabinetry required.
 ** Does not include front panels

CUSTOM PANEL DIMENSIONS	mm
Ⓓ Height of door panel	
• Custom panel	min 1767
• Stainless steel panel	1775
Ⓔ Width of door panel	
• Single install	592
• Dual install	594
• Triple install	594.5
Ⓕ Depth of door panel	
• Custom panel	16 - 19
• Stainless steel panel	19
Ⓖ Height of toe kick panel	100
Ⓗ Width of toe kick panel	597

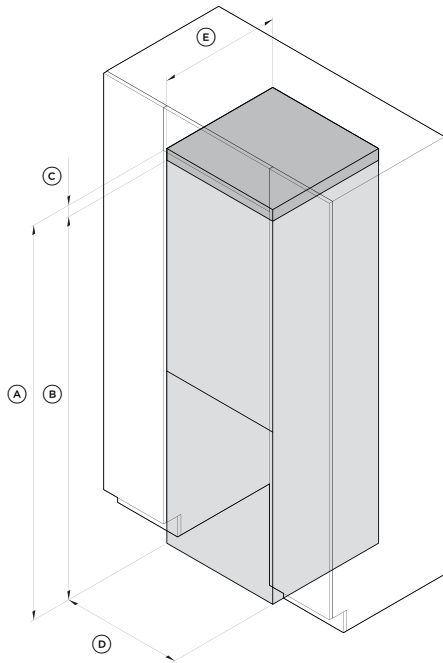
CUSTOM PANEL WEIGHTS	kg
Maximum weight of custom door panel	19

PRODUCT DIMENSIONS	mm
Ⓘ Height of appliance	1880
Ⓣ Width of appliance	592
Ⓚ Depth of appliance (excluding door panel)	579
Ⓛ Height from floor to top of door panel	
• Custom panel	min 1877
• Stainless steel panel	1877
Ⓜ Height from floor to bottom of door panel	
• Custom panel	15 - 110
• Stainless steel panel	102

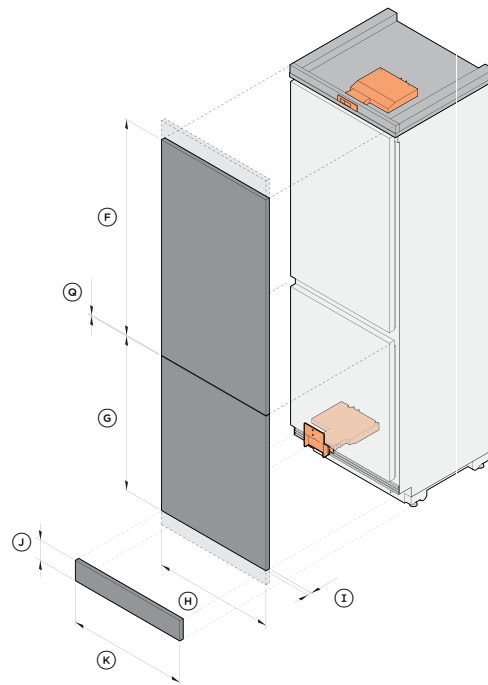
CLEARANCE DIMENSIONS	mm
Ⓝ CRITICAL clearance depth between back of custom panels and front of cabinetry carcass*	2-3
Ⓞ Clearance between top of custom door panel and any obstruction above	min 3
Ⓟ Clearance between bottom of custom door panel floor	min 15
Cabinetry clearance from side of door panel (not shown)	min 4

* Only applicable where there is an overlap between front panel and cabinetry carcass.

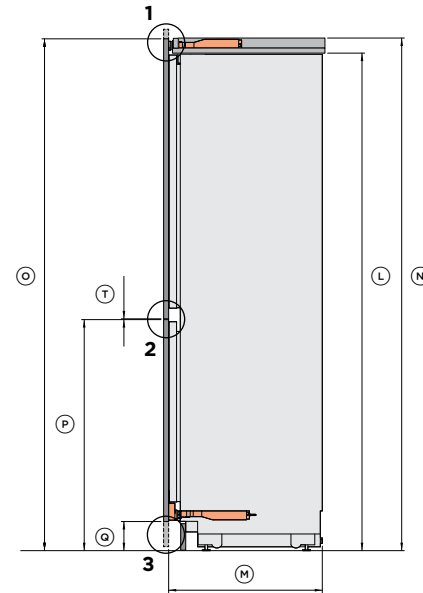
The models shown in this Planning Guide may not be available in all markets and are subject to change at any time. Product specifications may vary from those shown. This Planning Guide should not be used as installation guidance for any product. Further information is required to safely and correctly install the products featured here. Specific installation guidance will be available with the product on delivery and on our website fisherpaykel.com



ISOMETRIC: CAVITY

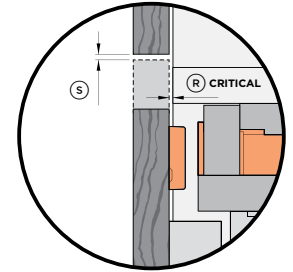


EXPLODED ISOMETRIC: PRODUCT

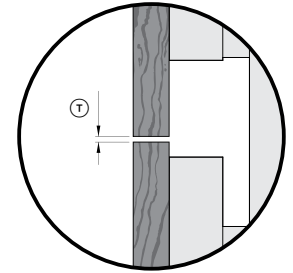


SIDE ELEVATION: PRODUCT

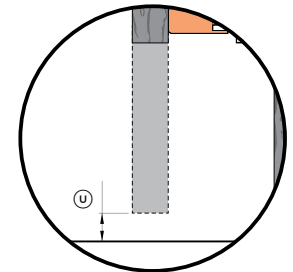
DETAIL 1:
UPPER CABINERY
CLEARANCE



DETAIL 2:
BETWEEN PANEL
CLEARANCE



DETAIL 3:
FLOOR
CLEARANCE



CAVITY DIMENSIONS	mm
Ⓐ Overall height of cavity*	min 1937
Ⓛ Height of appliance cavity	1880
Ⓒ Height of AOA cavity**	min 57
Ⓓ Width of cavity	600
Ⓔ Depth of cavity***	
• services outside of cavity	581
• services above cavity	591
• services at rear of cavity	631

* Includes minimum cavity allowance for AOA cabinetry
 ** Assumes fixed panel thickness of 19mm. Cavity height can be increased to suit cabinetry requirements.
 *** Does not include front panels

CUSTOM PANEL DIMENSIONS	mm
Ⓕ Height of top door panel	min 1001
Ⓖ Height of bottom door panel	min 763
Ⓢ Width of custom door panels	
• Single install	592
• Dual install	594
• Triple install	594.5
Ⓛ① Depth of door panels	16 - 19
Ⓛ② Height of toe kick panel	100
Ⓛ③ Width of toe kick panel	597

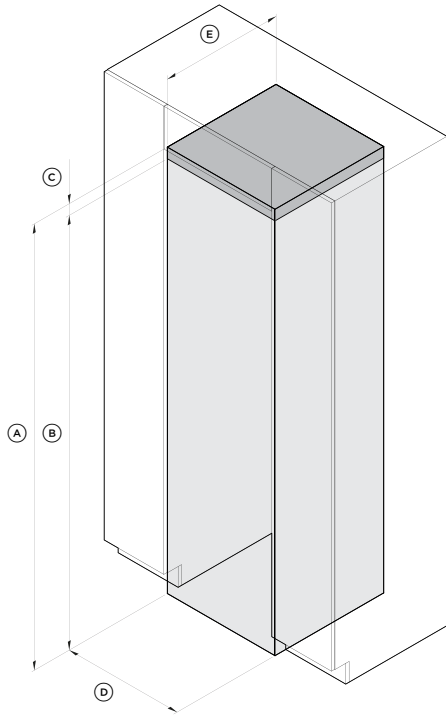
CUSTOM PANEL WEIGHTS	kg
Maximum weight of top door panel	9.5
Maximum weight of bottom drawer panel	9

Product Dimensions	mm
Ⓛ Height of appliance	1880
Width of appliance (not shown)	592
Ⓜ Depth of appliance (excluding door panel)	579
Ⓝ Overall height of appliance and AOA cabinetry assembly* (excludes custom panels)	min 1937
Ⓛ④ Height from floor to top of custom door panels	min 1877
Ⓛ⑤ Height from floor to top of lower door panel	873
Ⓛ⑥ Height from floor to bottom of lower door panel	15 - 110

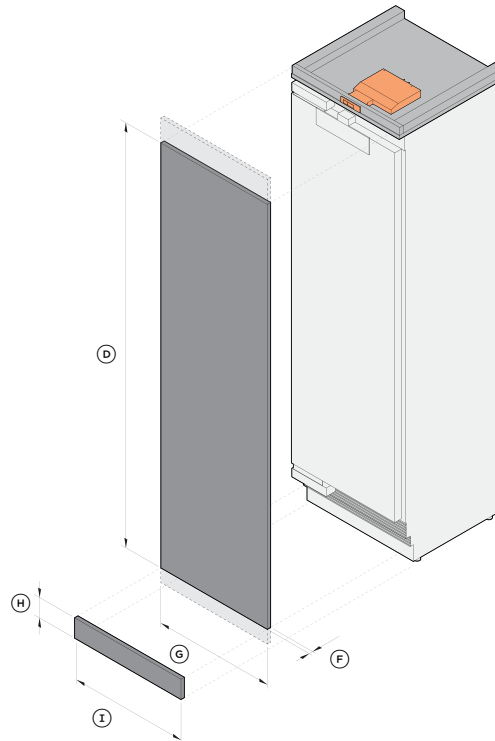
CLEARANCE DIMENSIONS	mm
Ⓡ CRITICAL clearance depth between back of custom panels and front of cabinetry carcass*	1-3
Ⓢ Clearance between top of custom door panel and any obstruction above	min 3
Ⓣ Clearance between custom door panels	3
Ⓛ⑦ Clearance between bottom of custom door panel floor	min 15
Cabinetry clearance from side of door panel (not shown)	min 4

* Only applicable where there is an overlap between front panel and cabinetry carcass.

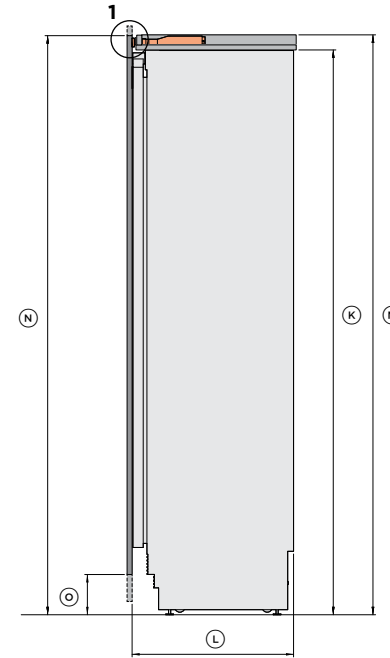
The models shown in this Planning Guide may not be available in all markets and are subject to change at any time. Product specifications may vary from those shown. This Planning Guide should not be used as installation guidance for any product. Further information is required to safely and correctly install the products featured here. Specific installation guidance will be available with the product on delivery and on our website fisherpaykel.com



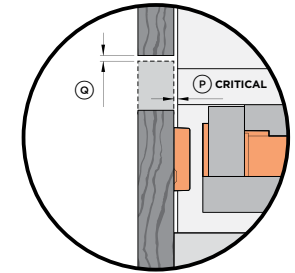
ISOMETRIC: CAVITY



EXPLODED ISOMETRIC: PRODUCT



SIDE ELEVATION: PRODUCT



DETAIL 1: UPPER CABINETRY CLEARANCE

CAVITY DIMENSIONS	mm			
Ⓐ Minimum overall height of cavity*	2191			
Ⓑ Height of appliance cavity	2134			
Ⓒ Minimum height of AOA cavity**	57			
Ⓓ Width of cavity	46cm	61cm	76cm	91cm
	457	610	762	914
Ⓔ Depth of cavity***	616			
• services outside of cavity				
• services above cavity				
• services at rear of cavity				

* Includes cavity allowance for AOA cabinetry
 ** Assumes fixed panel thickness of 19mm.
 *** Does not include front panels

CUSTOM PANEL DIMENSIONS	mm		
Ⓕ Minimum height of door panel	1311		
Ⓖ Depth of door panel	16 - 25		
Ⓗ Width of custom door panel	46cm	61cm	76cm
• single installation	451	603	756
• double installation	452	605	757
• triple installation	454	605	757
Ⓙ Width of toe kick panel	46cm	61cm	76cm
	454	606	759
Ⓚ Height of toe kick panel	102		

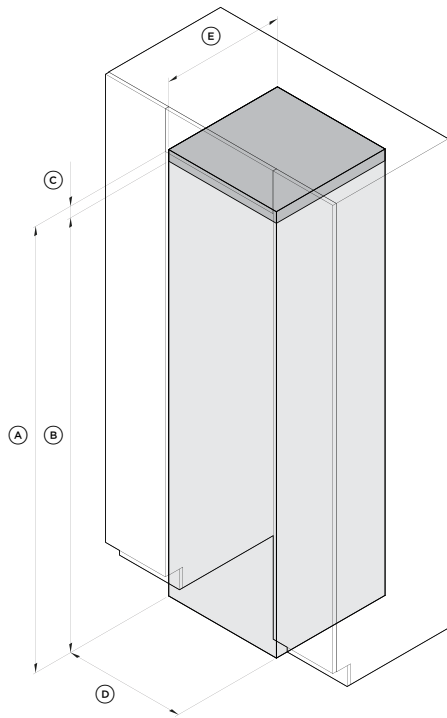
CUSTOM PANEL WEIGHTS	61cm	76cm	91cm
Maximum weight of top door panel	15kg	18kg	?
Maximum weight of bottom drawer panel	9kg	11kg	?

PRODUCT DIMENSIONS	mm			
Ⓚ Height of appliance	2134			
Width of appliance (not shown)	46cm	61cm	76cm	91cm
	451	603	756	908
Ⓛ Depth of appliance (excluding door panel)	610			
Ⓜ Minimum overall height of appliance and AOA cabinetry assembly*	2191			
Ⓝ Minimum height from floor to top of custom door panel	2188			
Ⓞ Height from floor to bottom of lower door panel	50 - 152			

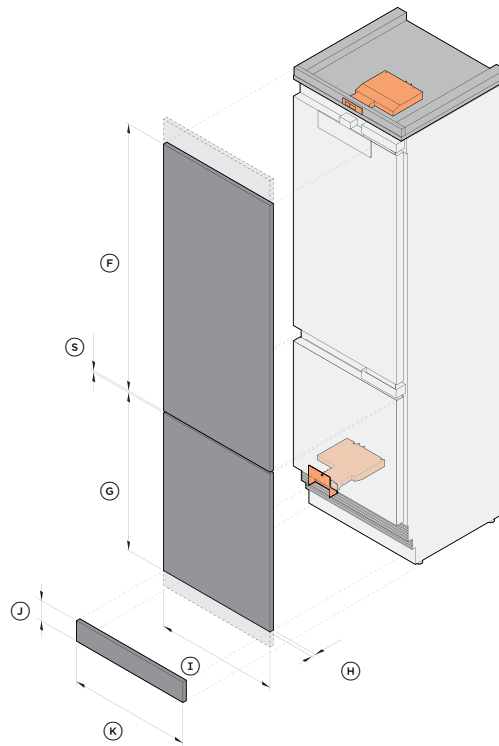
CLEARANCE DIMENSIONS	mm
Ⓟ CRITICAL clearance depth between back of custom panels and front of cabinetry carcass****	1-3
Ⓠ Clearance between top of custom door panel and any obstruction above	min 3
Cabinetry clearance from side of door panel (not shown)	min 3

**** Only applicable where there is an overlap between front panel and cabinetry carcass.

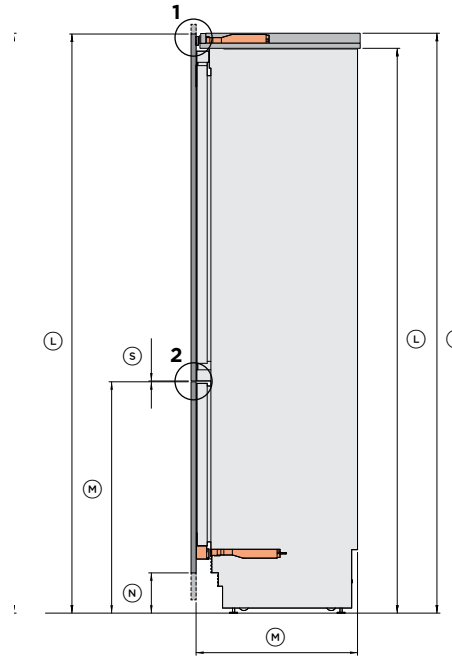
The models shown in this Planning Guide may not be available in all markets and are subject to change at any time. Product specifications may vary from those shown. This Planning Guide should not be used as installation guidance for any product. Further information is required to safely and correctly install the products featured here. Specific installation guidance will be available with the product on delivery and on our website fisherpaykel.com



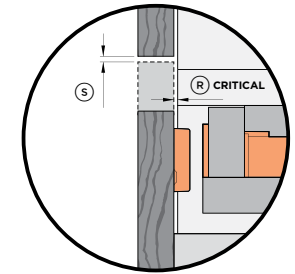
ISOMETRIC: CAVITY



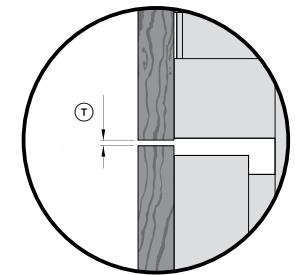
EXPLODED ISOMETRIC: PRODUCT



SIDE ELEVATION: PRODUCT



DETAIL 1: UPPER CABINERY CLEARANCE



DETAIL 2: BETWEEN PANEL CLEARANCE

CAVITY DIMENSIONS	mm
Ⓐ Overall height of cavity*	min 2191
Ⓑ Height of appliance cavity	2134
Ⓒ Height of AOA cavity**	min 57
Ⓓ Width of cavity	61cm 76cm 91cm 610 762 914
Ⓔ Depth of cavity***	
• services outside of cavity	616
• services above cavity	
• services at rear of cavity	641

* Includes minimum cavity allowance for AOA cabinetry
 ** Assumes fixed panel thickness of 19mm. Cavity height can be increased to suit cabinetry requirements.
 *** Does not include front panels

CUSTOM PANEL DIMENSIONS	mm		
Ⓕ Height of top door panel	min 1311		
Ⓖ Height of bottom drawer panel	721-822		
Ⓗ Depth of door panels	16 - 25		
Ⓙ Width of custom door panel	61cm	76cm	91cm
• single installation	603	756	
• double installation	605	757	
• triple installation	605	757	
Ⓚ Width of toe kick panel	61cm	76cm	91cm
	606	759	
Ⓛ Height of toe kick panel	102		

*** for multiple installations panel width differs, refer to Planning Guide

CUSTOM PANEL WEIGHTS	61cm	76cm	91cm
Maximum weight of top door panel	15kg	18kg	?
Maximum weight of bottom drawer panel	9kg	11kg	?

PRODUCT DIMENSIONS	mm			
Ⓛ Height of appliance	2134			
Width of appliance (not shown)	46cm	61cm	76cm	91cm
	451	603	756	908
Ⓜ Depth of appliance (excluding door panel)	610			
Ⓝ Minimum overall height of appliance and AOA cabinetry assembly* (excludes customs panels)	2191			
Ⓞ Minimum height from floor to top of custom door panel	2188			
Ⓟ Height from floor to top of lower door panel	874			
Ⓠ Height from floor to bottom of lower door panel	50 - 152			

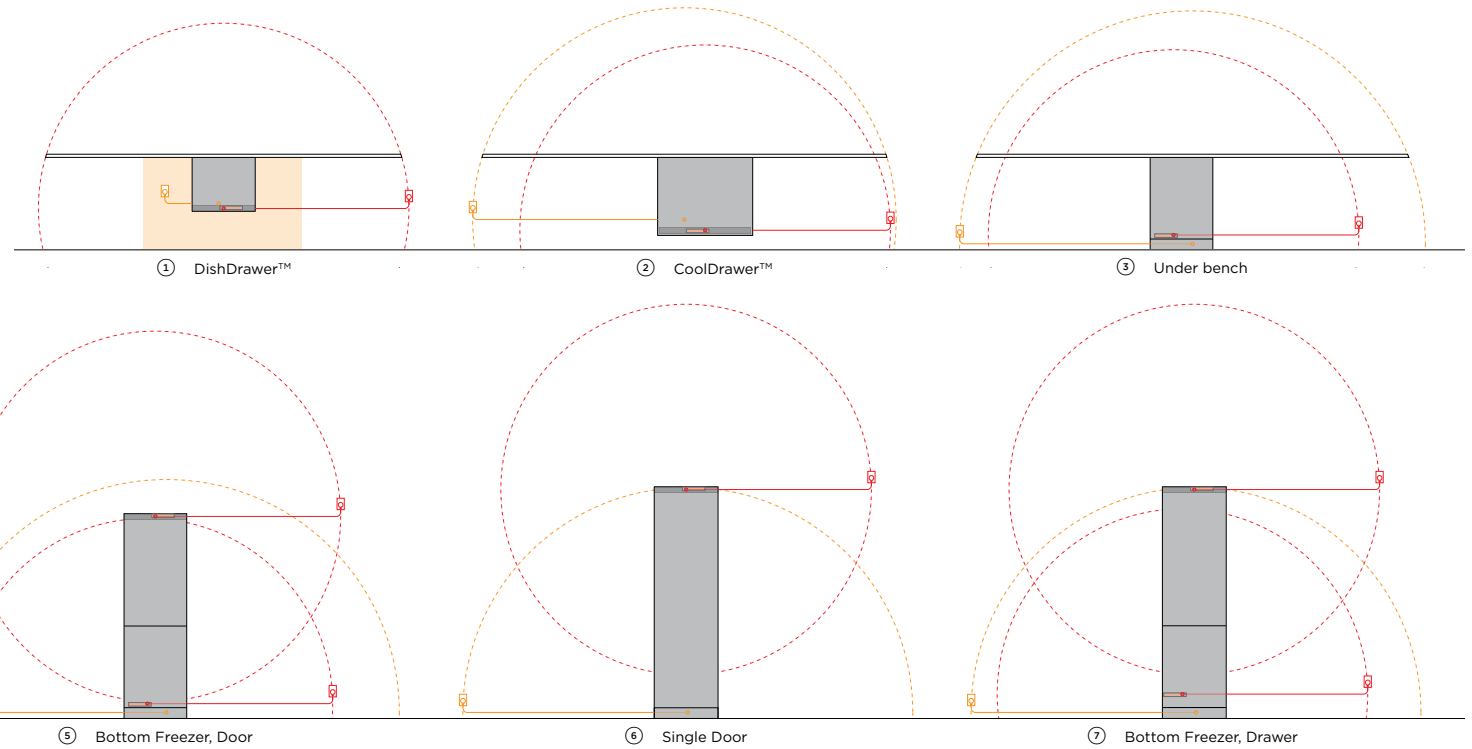
CLEARANCE DIMENSIONS	mm
Ⓡ CRITICAL clearance depth between back of custom panels and front of cabinetry carcass****	1-3
Ⓢ Clearance between top of custom door panel and any obstruction above	min 3
Ⓣ Gap between door and drawer panels	3
Cabinetry clearance from side of door panel (not shown)	min 3

**** Only applicable where there is an overlap between front panel and cabinetry carcass.

The models shown in this Planning Guide may not be available in all markets and are subject to change at any time. Product specifications may vary from those shown. This Planning Guide should not be used as installation guidance for any product. Further information is required to safely and correctly install the products featured here. Specific installation guidance will be available with the product on delivery and on our website fisherpaykel.com

IMPORTANT NOTE:

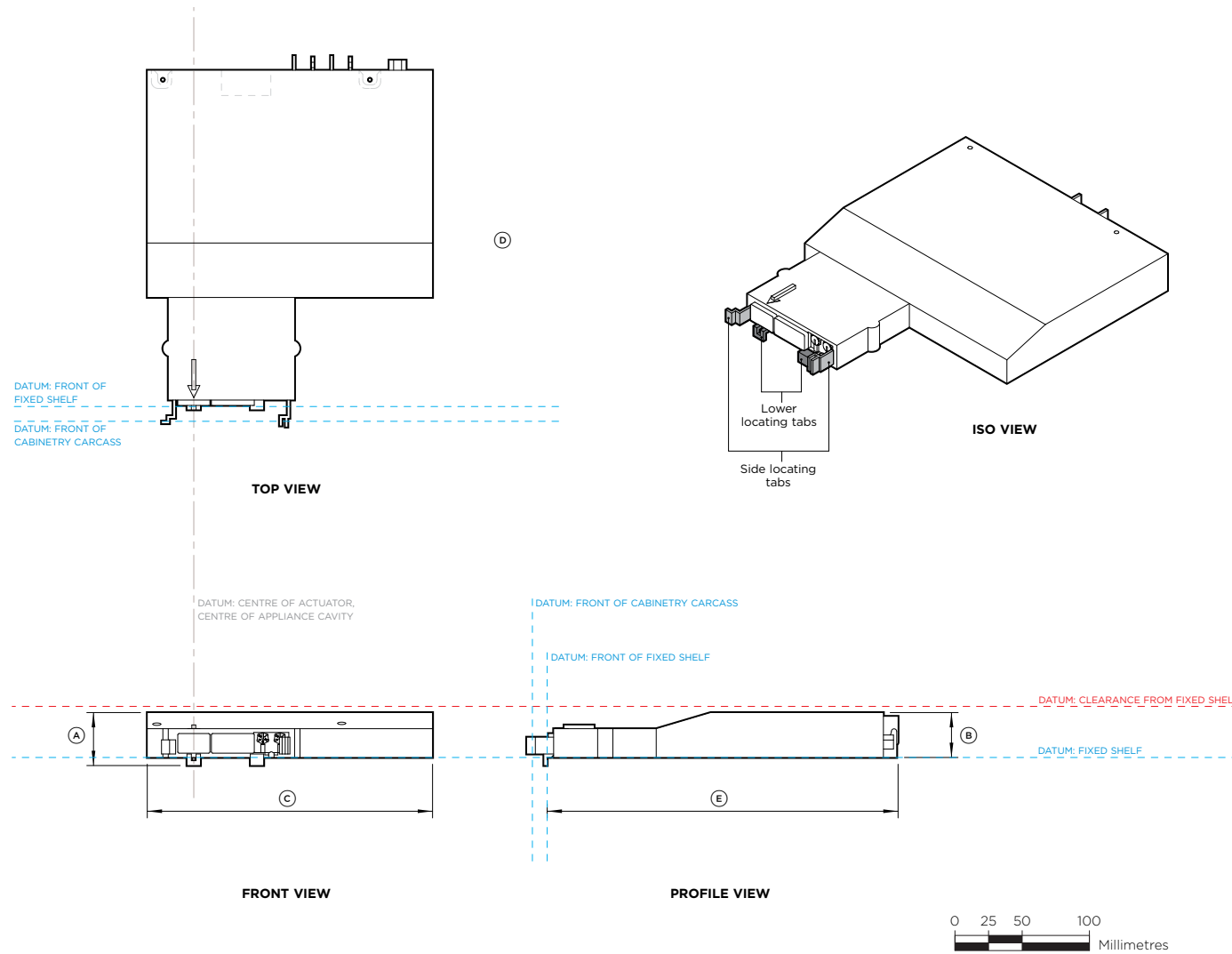
Each AOA unit requires a power socket. For example, an installation with 1x integrated refrigeration product with 2x AOA units requires 3x power sockets.
 Power sockets should have an accessible switch to isolate power for installation.
 It is recommended that services are located in an adjacent cabinet



	AOA		① DishDrawer™ Dishwasher		② CoolDrawer™		Integrated Refrigeration Platform, 60cm wide						Integrated Refrigeration Platform, 2.1m high					
							③ Under-bench		④ Single Door			⑤ Bottom Freezer, Door			⑥ Column Single Door		⑦ Bottom Freezer, Drawer	
Electrical Specifications																		
Supply	230 V, 50 Hz		220 - 240 V, 50 Hz		230 V, 50Hz		230 V, 50 Hz		230 V, 50 Hz			230 V, 50 Hz			230 V, 50 Hz		230 V, 50 Hz	
Service	10 A circuit		5 A circuit		10 A circuit		10 A circuit		10 A circuit			10 A circuit			10 A circuit		10 A circuit	
Outlet	3-pin earthing type		3-pin earthing type		3-pin earthing type		3-pin earthing type		3-pin earthing type			3-pin earthing type			3-pin earthing type		3-pin earthing type	
Power Cord Dimensions																		
Overall length of power cord	3000		1900		2000													
Maximum distance from side of chassis to electrical outlet	1750		450															
Length of power cord from edge of appliance chassis	LHS	RHS	LHS	RHS	LHS	RHS	LHS	RHS	LHS	TOP	RHS	LHS	TOP	RHS	LHS	RHS	LHS	RHS
	2050	2050	1650	1550	1850	1250	1800	2000	1800	380	2000	1800	380	2000	1385	1410	1385	1410

The models shown in this Planning Guide may not be available in all markets and are subject to change at any time. Product specifications may vary from those shown. This Planning Guide should not be used as installation guidance for any product. Further information is required to safely and correctly install the products featured here. Specific installation guidance will be available with the product on delivery and on our website fisherpaykel.com

DATA SHEETS



Model no:

Assisted Opening Accessory - Main body with locating tabs

Product Dimensions

	mm
Ⓐ Overall height of main body including locating tabs	40
Ⓑ Height of main body excluding locating tabs	34
Ⓒ Overall width of main body	213
Ⓓ Overall length of main body including locating tabs	277
Ⓔ Length of main body excluding locating tabs (distance from fixed shelf datum to rear of main body)	261

Product Clearances

	mm
Minimum clearance height from bottom of product (fixed shelf datum)*	38

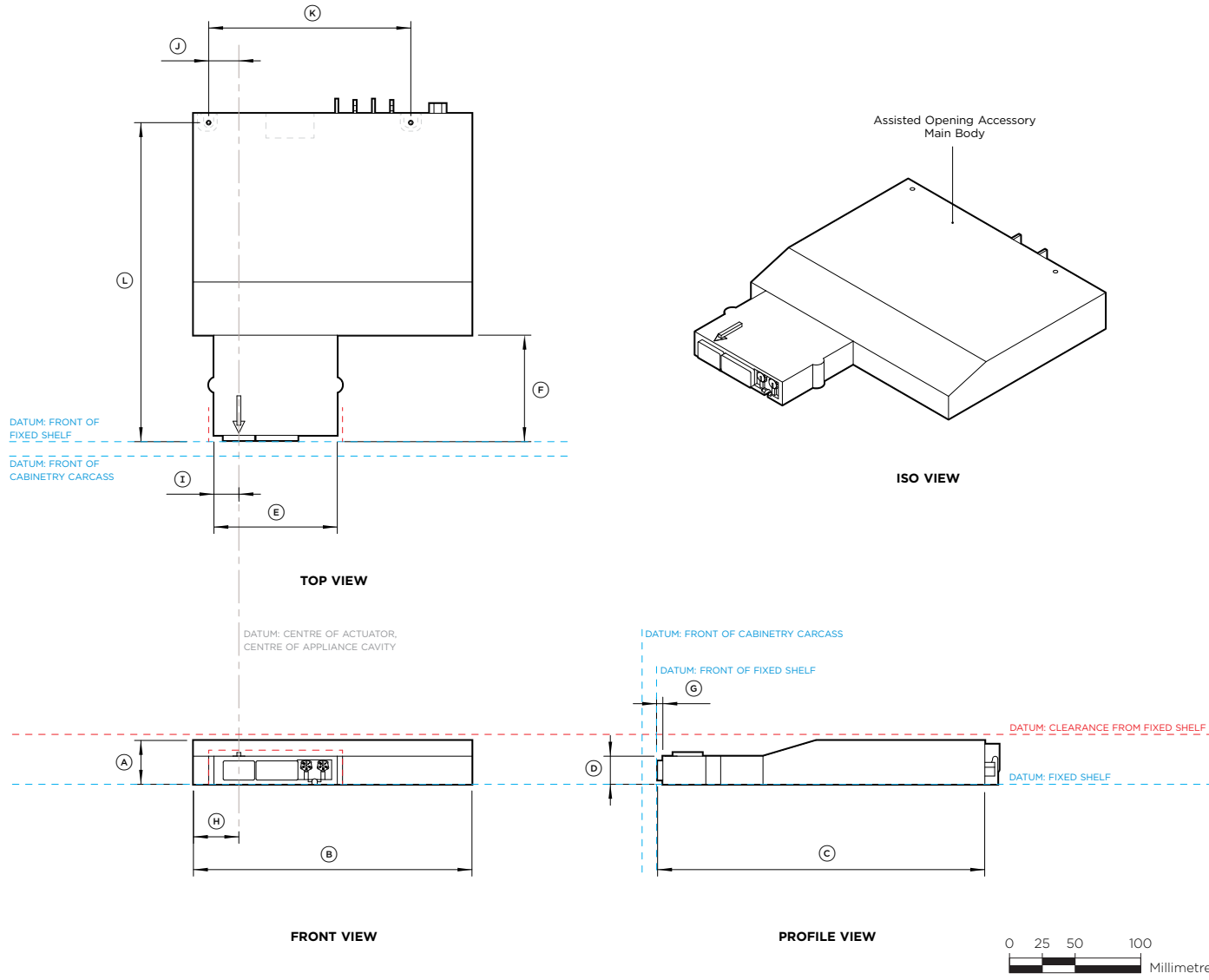
* Does not apply to AOA units fitted directly inside appliance.

INDICATES CABINETY / PRODUCT DATUM -----

INDICATES CABINETY CLEARANCES -----

INDICATES CUTOUT -----

IMPORTANT NOTE: Throughout this guide, dimensions may vary by $\pm 2\text{mm}$ (1/16"). Please read the installation manual for detailed information on installing the product. For full installation instructions & specifications visit [fisherpaykel.com](https://www.fisherpaykel.com)



Model no:

Assisted Opening Accessory - main body with locating tabs removed

Product Dimensions

	mm
Ⓐ Overall height of main body	34
Ⓑ Overall width of main body	213
Ⓒ Length of main body excluding cable strain	250
Ⓓ Height of AOA sensor enclosure	22
Ⓔ Width of AOA sensor enclosure	94
Ⓕ Length of AOA sensor enclosure including actuator	81
Ⓖ Depth of actuator	5
Ⓗ Width from actuator centre datum to side of main body	35
Ⓘ Width from actuator centre datum to side of sensor head	19
Ⓣ Width from actuator centre datum to centre of left hole	23
Ⓚ Width between holes	154
Ⓛ Depth from front of main body and fixed shelf front datum to centre of holes	234

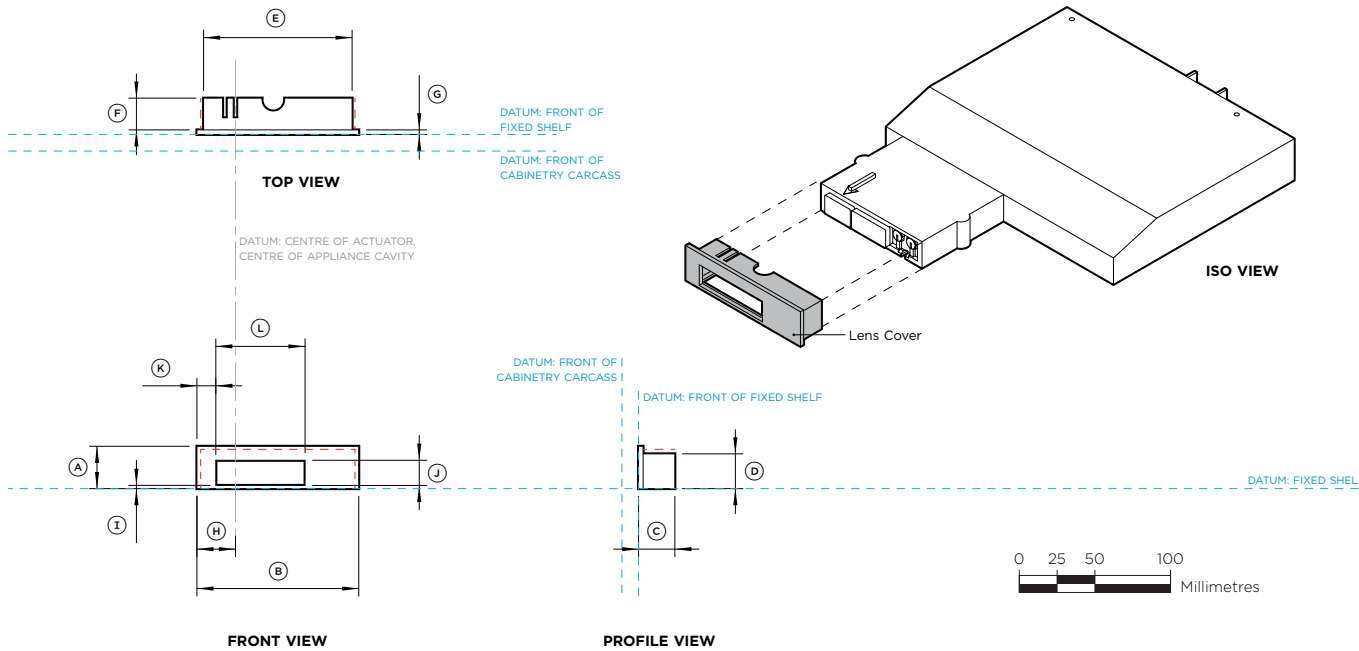
Product Clearances

	mm
Minimum clearance height from bottom of product (fixed shelf datum)*	38

* Does not apply to AOA units fitted directly inside appliance.

INDICATES CABINETY / PRODUCT DATUM -----
 INDICATES CABINETY CLEARANCES -----
 INDICATES CUTOUT -----

IMPORTANT NOTE: Throughout this guide, dimensions may vary by $\pm 2\text{mm}$ (1/16"). Please read the installation manual for detailed information on installing the product. For full installation instructions & specifications visit fisherpaykel.com



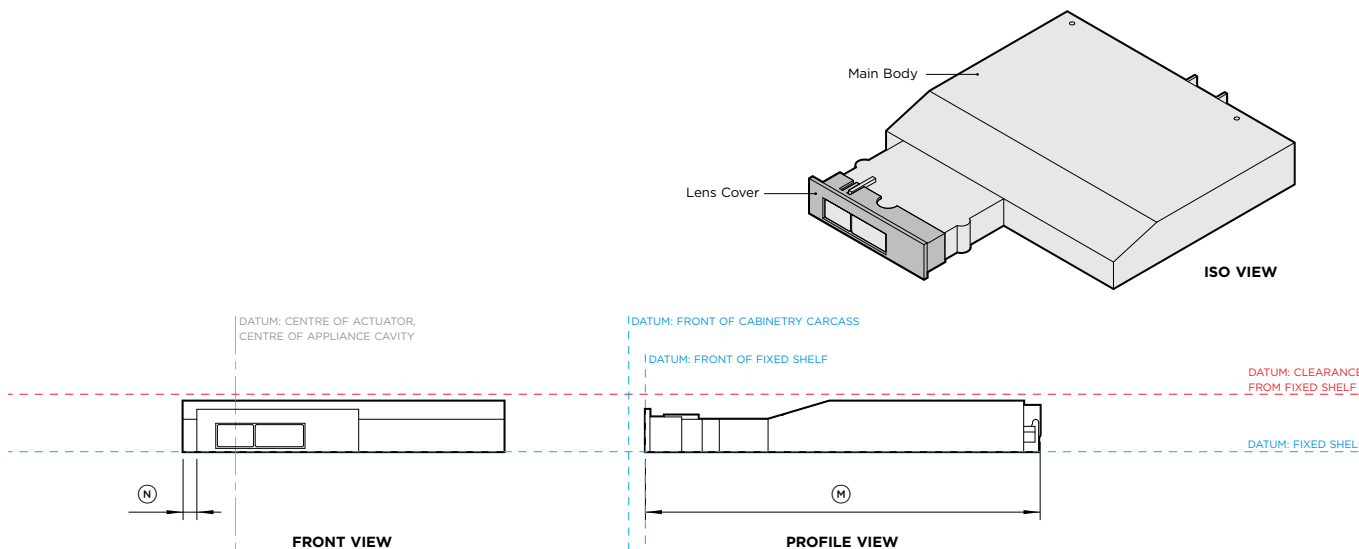
Part:

Assisted Opening Accessory Lens Cover

Product Dimensions	mm
Ⓐ Height of lens cover	28
Ⓑ Width of lens cover	107
Ⓒ Depth of lens cover	24
Ⓓ Height of sleeve	23
Ⓔ Width of sleeve	98
Ⓕ Depth of sleeve	21
Ⓖ Depth of front flange	3
Ⓗ Width from side of lens cover to actuator centre datum	25.5
Ⓘ Height from base of lens cover to base of window	2
Ⓚ Height of window	17
Ⓛ Width from side of lens cover to side of window	12.5
Ⓛ Width of window	59

Product Clearances	mm
Clearance height for sleeve	26
Clearance width for sleeve	102

* Does not apply to AOA units fitted directly inside appliance.



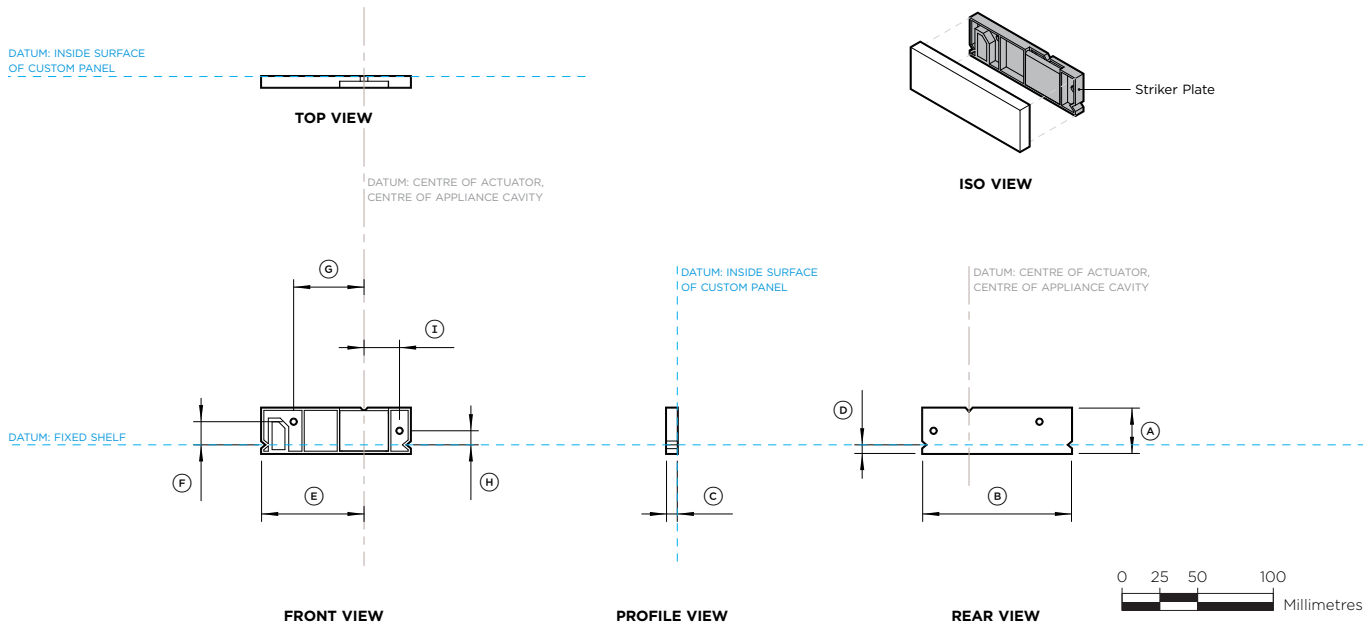
Part:

Assisted Opening Accessory Lens Cover and Main body Assembly

Product Dimensions	mm
Ⓜ Overall length of AOA main body and lens cover	261
Ⓝ Width from edge of AOA main body to edge of lens cover	9

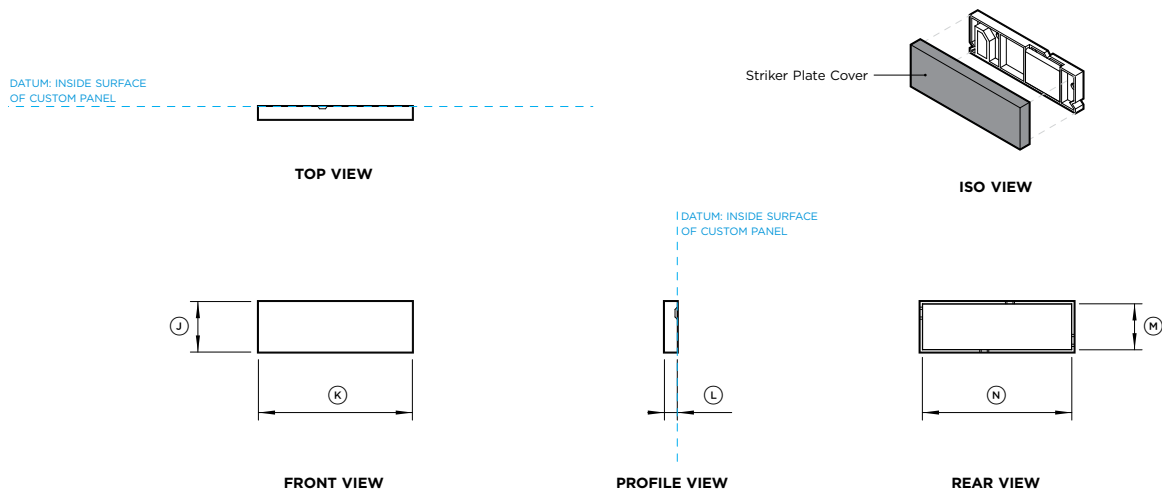
INDICATES CABINETY / PRODUCT DATUM -----
 INDICATES CABINETY CLEARANCES - - - - -
 INDICATES CUTOUT - - - - -

IMPORTANT NOTE: Throughout this guide, dimensions may vary by ±2mm (1/16"). Please read the installation manual for detailed information on installing the product. For full installation instructions & specifications visit fisherpaykel.com



Part:
Striker Plate

Product Dimensions	mm
Ⓐ Height of striker plate	30
Ⓑ Width of striker plate	99
Ⓒ Depth of striker plate	7
Ⓓ Height from base of striker plate to alignment 'V' notches	6
Ⓔ Width from side of striker plate to centre datum and 'V' notch	68
Ⓕ Height from side 'V' notch to hole centre	15
Ⓖ Width from centre datum to hole	47
Ⓗ Height from side 'V' notch to hole centre	10
Ⓘ Width from centre datum to hole	23

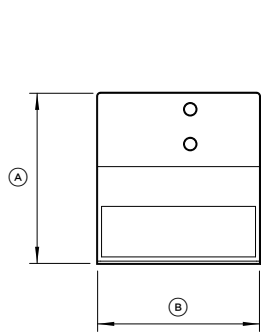


Part:
Striker Plate Cover

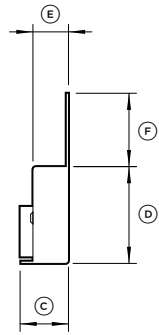
Product Dimensions	mm
Ⓙ Height of striker plate cover	34
Ⓚ Width of striker plate cover	102
Ⓛ Depth of striker plate cover	9
Ⓜ Internal height of striker plate cover	31
Ⓝ Internal width of striker plate cover	100

INDICATES CABINETRY / PRODUCT DATUM -----
 INDICATES CABINETRY CLEARANCES - - - - -
 INDICATES CUTOUT - - - - -

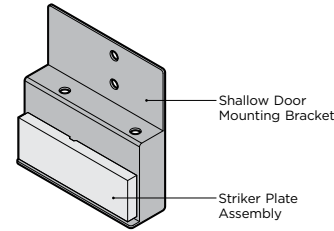
IMPORTANT NOTE: Throughout this guide, dimensions may vary by ±2mm (1/16"). Please read the installation manual for detailed information on installing the product. For full installation instructions & specifications visit fisherpaykel.com



FRONT VIEW



PROFILE VIEW



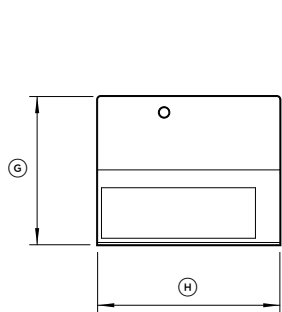
ISO VIEW

Model no:

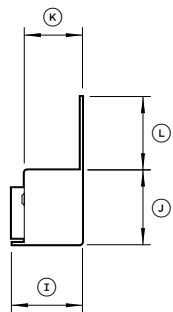
Shallow Door Mounting Bracket Assembly
 RS6019S3RH1, RS6019F3LJ1, RS6019S2R1, RS6019F2L1, RS6019BRU1
 RS6009V2R1, RS6009V2RT1, RS6009SBL1, RS6009SBLT1

Product Dimensions

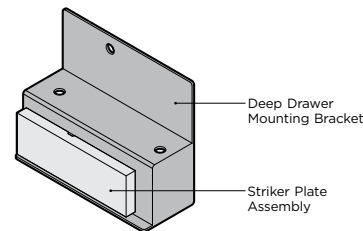
	mm
Ⓐ Height of mounting bracket	113
Ⓑ Width of mounting bracket	107
Ⓒ Depth of mounting bracket assembly	32
Ⓓ Height of bracket main body	64
Ⓔ Depth of bracket main body	24
Ⓕ Height of bracket vertical flange	49



FRONT VIEW



PROFILE VIEW



ISO VIEW

Model no:

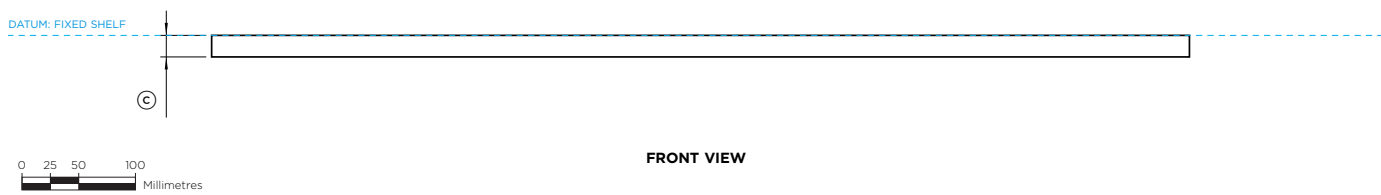
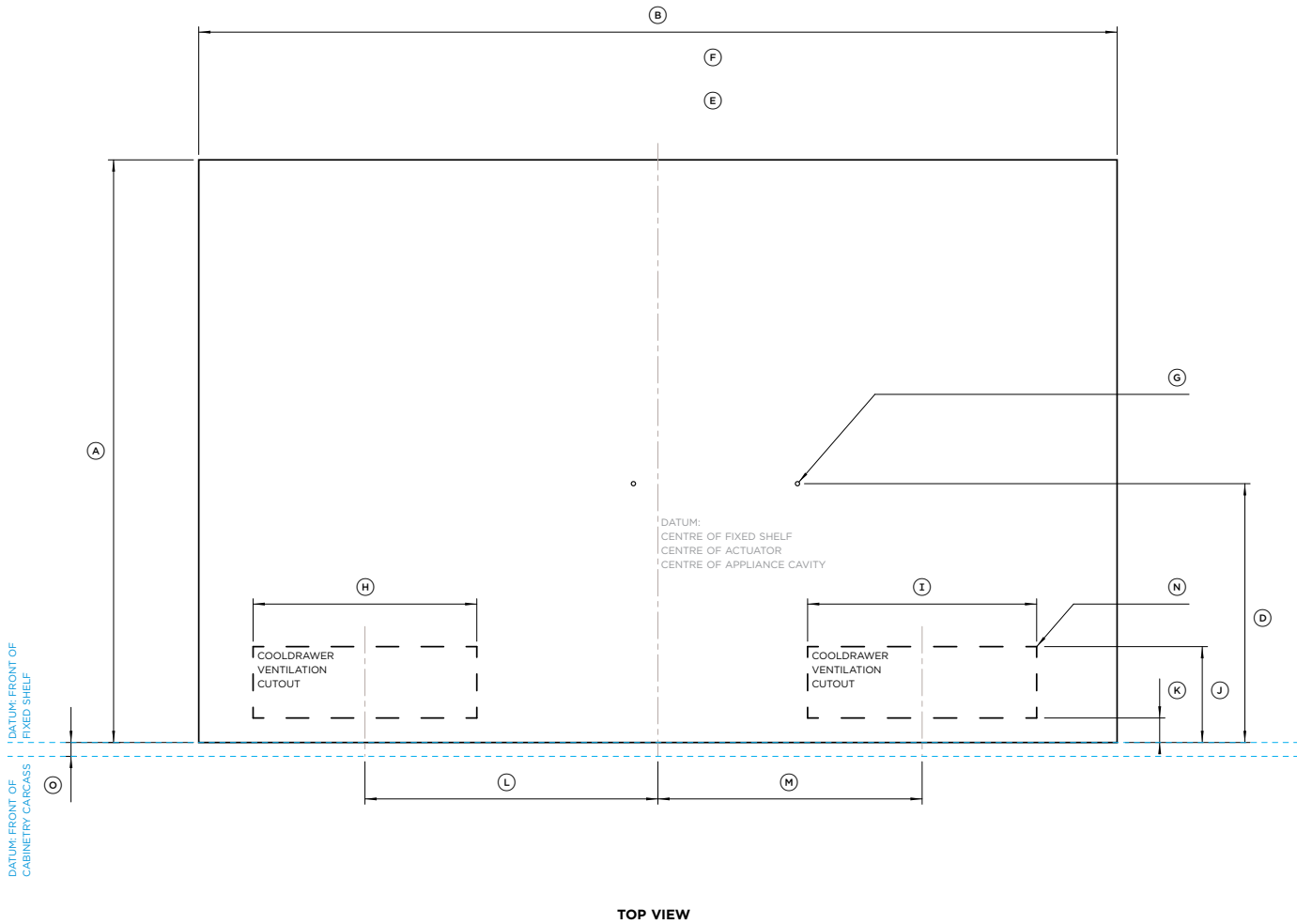
Deep Drawer Mounting Bracket Assembly
 RS6121WRUK1, RS7621WRUK1, RS9121WRUVK5 (Column Bottom Freezer models)

Product Dimensions

	mm
Ⓒ Height of mounting bracket	98
Ⓓ Width of mounting bracket	121
Ⓔ Depth of mounting bracket assembly	47
Ⓕ Height of bracket main body	50
Ⓖ Depth of bracket main body	39
Ⓗ Height of bracket vertical flange	48

INDICATES CABINETRY / PRODUCT DATUM -----
 INDICATES CABINETRY CLEARANCES - - - - -
 INDICATES CUTOUT - - - - -

IMPORTANT NOTE: Throughout this guide, dimensions may vary by ±2mm (1/16"). Please read the installation manual for detailed information on installing the product. For full installation instructions & specifications visit fisherpaykel.com



Custom Cabinetry:

Fixed Shelf

Fixed shelf must be securely fastened in cabinetry via spacers or other method.

Product Dimensions	mm
Ⓐ Minimum depth of fixed shelf	280
Ⓔ Width of fixed shelf	to fit cavity
Ⓒ Nominal thickness of fixed shelf *	19
Ⓓ Depth from front of shelf to holes centres **	243
Ⓔ Width from centre of shelf to centre of left hand hole	23
Ⓕ Width between holes	154
Ⓖ Hole diameter	3
Ⓗ Width of left hand cutout ***	210
Ⓘ Width of right hand cutout ***	215
Ⓛ Depth of cutouts front of fixed shelf to rear of cutout	90
Ⓜ Distance from front of fixed shelf to front of cutouts ****	22
Ⓚ Centre of left hand cutout to centre of shelf	275
Ⓛ Centre of right hand cutout to centre of shelf	248
Ⓝ Corner radii of cutouts	max 15

* Panel thickness can be reduced or increased. Consideration to be given to material thickness and structural integrity of panel.

** Predrilling of holes optional. AOA unit can be used as a guide to position holes. Refer Installation Manual for details

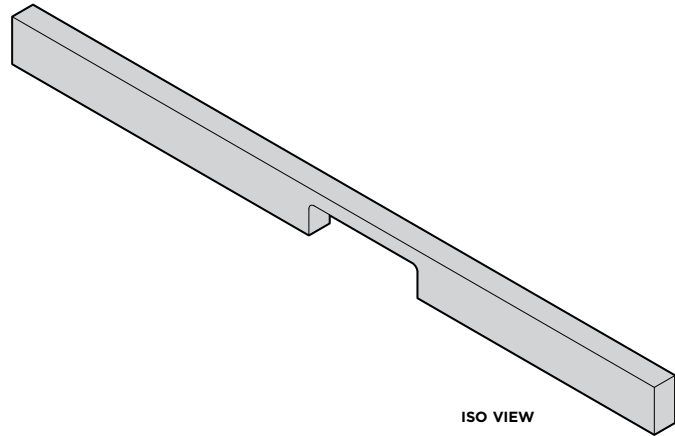
*** Cutouts only required for Dishdrawer to provide ventilation to appliance

**** Based on bridge trim thickness of 19mm

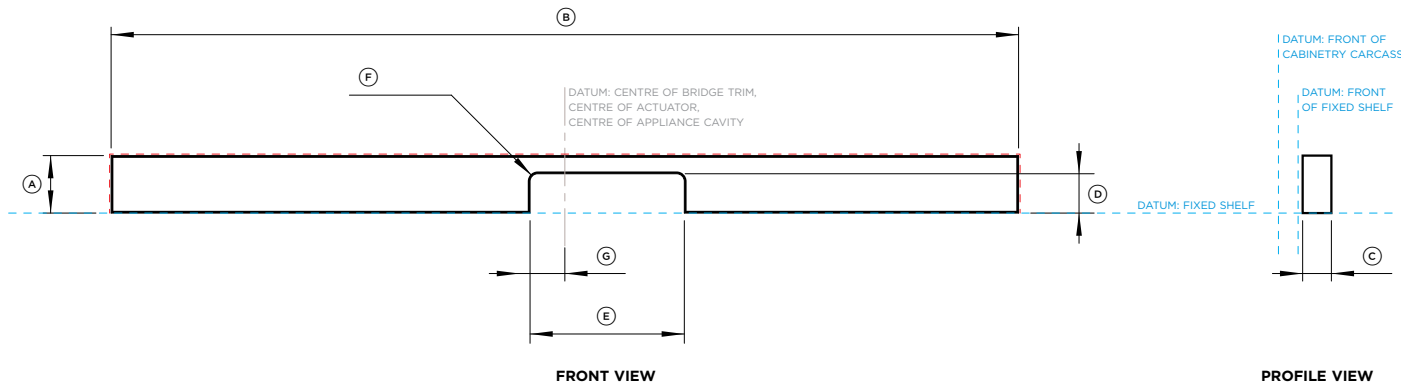
Product Clearances	mm
Ⓒ Fixed shelf set back depth from front of cabinetry carcass	11

INDICATES CABINETY / PRODUCT DATUM -----
 INDICATES CABINETY CLEARANCES -----
 INDICATES CUTOUT -----

IMPORTANT NOTE: Throughout this guide, dimensions may vary by $\pm 2\text{mm}$ (1/16"). Please read the installation manual for detailed information on installing the product. For full installation instructions & specifications visit fisherpaykel.com



ISO VIEW



FRONT VIEW

PROFILE VIEW



Custom Cabinetry:

Bridge Trim

Bridge trim must be removable to allow for servicing of AOA unit.

Product Dimensions

	mm
Ⓐ Minimum height of bridge trim *	37
Ⓔ Width of bridge trim	cavity -1
Ⓒ Nominal thickness of bridge trim panel **	19
Ⓓ Height of cutout	26
Ⓔ Width of cutout	102
Ⓒ Maximum corner radius of cutout	5
Ⓒ Width from centre of bridge trim datum to side of cutout	28

* To suit minimum 38mm cavity height for AOA. Can be increased to suit required cabinetry dimensions.
 ** Panel thickness can be reduced or increased. Consideration to be given to material thickness and structural integrity of panel.

Product Clearances

	mm
Recommended clearance between sides of panel and sides of cabinetry to allow panel to be removed	1
Bridge trim set back distance from front of fixed shelf	3

INDICATES CABINETRY / PRODUCT DATUM -----
 INDICATES CABINETRY CLEARANCES -----
 INDICATES CUTOUT -----

IMPORTANT NOTE: Throughout this guide, dimensions may vary by $\pm 2\text{mm}$ (1/16"). Please read the installation manual for detailed information on installing the product. For full installation instructions & specifications visit fisherpaykel.com

