

**FISHER & PAYKEL**

**COMBINATION  
MICROWAVE OVEN**

---

OM25BLSB1, OM25BLSX1, OM25BLCX1

**USER/INSTALLATION GUIDE**

**NZ AU BI**



## CONTENTS

---

Product specifications	5
Safety and warnings	6
Before installation	11
Installation guide	12
User guide (OM25BLSB1/OM25BLSX1)	16
User guide (OM25BLCX1)	21
Troubleshooting	28
Manufacturer's warranty	29
Customer care	29
European Directive 2012/19/EU on Waste Electrical and Electronic Equipment (WEEE)	31

---

### Registration

To register your product visit our website: [fisherpaykel.com/register](http://fisherpaykel.com/register)



## PRODUCT SPECIFICATIONS

---

<b>Model</b>	OM25BLCX1
<b>Rated voltage</b>	230 - 240VAC, 50Hz
<b>Rated input power (microwave)</b>	1450W
<b>Rated output power (microwave)</b>	900W
<b>Rated input power (grill)</b>	1100W
<b>Rated output power (grill)</b>	2300W
<b>Oven capacity</b>	25L
<b>Turntable diameter</b>	315mm
<b>External dimensions</b>	(W) 595 x (H) 460 x (D) 470mm
<b>Net weight</b>	Approximately 18.5kg

---

---

<b>Model</b>	OM25BLSB1, OM25BLSX1
<b>Rated voltage</b>	240VAC, 50Hz
<b>Rated input power (microwave)</b>	1450W
<b>Rated output power (microwave)</b>	900W
<b>Oven capacity</b>	28L
<b>Turntable diameter</b>	315mm
<b>External dimensions</b>	(W) 595 x (H) 388 x (D) 400mm
<b>Net weight</b>	Approximately 18.5kg

---

## SAFETY AND WARNINGS

### **WARNING!**



#### **Electric Shock Hazard**

Read and follow the safety and warnings outlined in this user guide before operating this appliance.

Failure to do so can result in death, electric shock, fire or injury to persons.

### **WARNING!**



#### **Hot Surface Hazard**

The accessible surface may be hot during operation.

Use this appliance only for the intended purpose as described in the user guide.

## IMPORTANT SAFETY INFORMATION

Read this user guide carefully and keep for future reference. Ensure that you follow the installation steps when installing the appliance.

### **WARNING!**

#### **AVOID EXPOSURE TO EXCESSIVE MICROWAVE ENERGY!**

- This appliance is intended to be used in household and similar applications such as:
  - staff kitchen areas in shops, offices and other working environments;
  - farm houses;
  - by clients in hotels, motels and other residential environments;
  - bed and breakfast type environments.
- Do not attempt to operate this microwave oven with the door open since open-door operation can result in harmful exposure to microwave energy. It is important not to tamper with the safety interlocks.
- Do not place any object between the oven front face and the door, or allow food or cleaner residue to accumulate on sealing surfaces.
- Do not operate the oven if it is damaged. Ensure the oven door is closed properly and there is no damage to the:
  - Door (bent)
  - Hinges and latches (broken or loosened)
  - Door seals and sealing surfaces.
- Ensure the oven is adjusted or repaired only by a Fisher & Paykel trained and supported service technician.
- If the door or door seals are damaged, do not operate the oven until it has been repaired by a Fisher & Paykel trained and supported service technician.
- Follow the basic precautions to reduce the risk of fire, electric shock, injury to persons or exposure to excessive microwave oven energy when using your appliance.

#### **Electric Shock Hazard**

- This appliance must be grounded. Do not plug into an outlet until appliance is properly installed and grounded. Grounding reduces the risk of electric shock by providing an escape wire for the electric current in the event of an electrical short circuit. Improper grounding can result in electric shock.

## SAFETY AND WARNINGS

---

- This appliance is equipped with a cord having a grounding wire with a grounding plug. The plug must be plugged into an outlet that is properly installed and grounded.
- A short power-supply cord is provided to reduce the risks of tripping or the cord becoming entangled.
- Consult an electrician or a Fisher & Paykel trained and supported service technician if the grounding instructions are not completely understood, or if you are not sure whether the appliance is properly grounded. If it is necessary to use an extension cord, use only a 3-wire extension cord.
- If using a long cord set or extension cord, ensure that the marked electrical rating of the cord is greater than the electrical rating of the appliance.
- The long cord should be arranged so that it will not drape over the counter top or tabletop where it can be pulled on by children or tripped over unintentionally.
- Ensure the power supply cord is undamaged and does not run under the oven or over any hot or sharp surface.
- The socket must be readily accessible after installation so that it can be easily unplugged in an emergency.

### Installation

- This appliance is intended to be used for normal personal, family or household purposes.
- This is a built-in microwave oven intended to be installed in a cavity only.
- Make sure that all the packing materials are removed from the inside of the door.
- DO NOT use the oven outdoors.
- Check the oven for any damage, such as misaligned or bent door, damaged door seals and sealing surface, broken or loose door hinges and latches and dents inside the cavity or on the door. If there is any damage, do not operate the oven and contact a Fisher & Paykel trained and supported service technician.
- This microwave oven must be placed on a flat, stable surface to hold its weight and the heaviest food likely to be cooked in the oven.
- Do not place the oven where heat, moisture or high humidity are generated or near combustible materials.
- To prevent overheating, this oven must not be installed behind a decorative door.

### Electrical

- Never unplug your appliance by pulling on the power cord. Always grip the plug firmly and pull straight out from the outlet.
- Do not plug in any other appliance at the same power point as your appliance or use extension cords or double adapters or ungrounded (two prong) adapters.
- If the power supply cord is damaged, it must only be replaced by a Fisher & Paykel trained and supported service technician.
- All electrical repairs must be carried out by a Fisher & Paykel trained and supported service technician or qualified electrician in order to avoid a hazard.
- Ensure that the appliance is switched off before replacing the lamp to avoid the possibility of electric shock.
- It is hazardous for anyone other than a Fisher & Paykel trained and supported service technician or qualified electrician to carry out any service or repair operation that involves the removal of a cover which gives protection against exposure to microwave energy.

## SAFETY AND WARNINGS

---

### **Disposal/Recycling**

The packaging materials for this appliance are recyclable.

### **Operation**

- **DO NOT** operate the oven without glass tray, roller support and shaft in their proper positions.
- Do not use the cavity for storage purposes. Do not leave paper products, cooking utensils or food in the cavity when not in use.
- Arrange food items carefully. Place thickest areas towards outside of dish.
- Watch cooking time. Cook for the shortest amount of time indicated and add more as needed.
- Food severely overcooked can smoke or ignite.
- Turn food items over once during microwaving to speed cooking of such food items as chicken and hamburgers. Large items like roasts must be turned over at least once.
- Rearrange food items such as meatballs halfway through cooking both from top to bottom and from the centre of the dish to the outside.

### **Food Safety**

- Use only utensils that are suitable for use in microwave ovens.
- Be fire wise. Switch off or unplug the appliance and keep the door closed if smoke is observed in order to stop any flames.
- Take care when handling containers. Microwave heating of beverages can result in delayed eruptive boiling.
- Ensure the contents of feeding bottles and baby food jars are stirred or shaken and the temperature checked before consumption, in order to avoid burns.
- Use only the temperature probe recommended for this oven (for ovens provided with a facility to use a temperature-sensing probe.)
- Do not use the microwave oven for purposes other than the heating food and beverages as this may lead to risk of injury, ignition or fire. It is recommended to avoid:
  - Drying of food or clothing.
  - Heating of warming pads, slippers, sponges, damp cloths or similar
  - Metallic containers for food and beverages should not be used during microwave cooking.
- Do not heat liquids and other foods in sealed containers due to risk of explosion.
- Do not heat food in plastic or paper containers to avoid possibility of ignition.
- Do not heat eggs in their shell and whole hard-boiled eggs in the microwave oven due to the risk of explosion even after microwave heating has ended.
- Do not fry food in the oven. Hot oil can damage oven parts and utensils and even result in skin burns. Oil can self ignite and therefore create a fire hazard.



# SAFETY AND WARNINGS

---

## Child Safety

- Keep the appliance and its cord out of reach of children aged less than 8 years.
- Ensure that children (aged 8 years and above) and persons with reduced physical, sensory or mental capabilities or lack of experience and knowledge can only use the appliance if they are supervised or have been given instruction on how to use the appliance safely and understand the hazards involved.
- Never allow children to play with the appliance.
- Cover food items while cooking. Covers prevent splattering and help food items to cook evenly.

## IMPORTANT!

Ensure that your microwave oven is regularly cleaned to avoid damage to its surface that can result in hazards or potential injury.

## Cleaning

- Clean the oven regularly and remove any food deposits. Failure to maintain the oven in a clean condition could lead to deterioration of the surface that could adversely affect the life of the appliance and possibly result in a hazardous situation.
- Do not clean the appliance with a steam cleaner.
- Be sure to unplug the appliance from the power supply before cleaning.
- Clean the cavity of the oven after using with a slightly damp cloth.
- Clean the accessories with soapy water.
- The door frame, seal and neighbouring parts must be regularly cleaned with a damp cloth.
- Do not use harsh abrasive cleaners or sharp metal scrapers to clean the oven door glass, this may scratch the surface which may result in shattering of the glass.
- For easy cleaning of the cavity walls when food is baked on, place half a lemon in a bowl with 300ml (1/2 pint) water and heat on 100% microwave power for 10 minutes. Wipe the oven clean with a soft, dry cloth after use.

## WARNING!

### Personal Injury Hazard

It is hazardous for anyone other than a qualified person to carry out any service or repair operation that involves the removal of a cover which gives protection against exposure to microwave energy.

See the instructions on 'Microwave-safe materials'. There may be certain non-metallic utensils that are not safe to use for microwaving. If in doubt, you can test the utensil in question following the procedure below.

### Utensil Test

- ① Fill a microwave-safe container with 1 cup (250ml) of cold water along with the utensil.
- ② Cook on maximum power for 1 minute.
- ③ Carefully feel the utensil. If the empty utensil is warm, do not use it for microwave cooking.
- ④ Do not exceed 1 minute cooking time.

## SAFETY AND WARNINGS

### Microwave-safe materials

UTENSILS	REMARKS
Browning dish	Follow manufacturer's instructions. The bottom of the browning dish must be at least 5mm above the turntable. Incorrect usage may cause the turntable to break
Dinnerware microwave-safe only	Follow manufacturer's instructions. Do not use cracked or chipped dishes. Glass jars always remove lid. Use only to heat food until just warm. Most glass jars are not heat resistant and may break.
Glassware heat-resistant oven glassware only	Make sure there is no metallic trim. Do not use cracked or chipped dishes.
Oven cooking bags	Follow manufacturer's guidelines. Do not close with metal tie. Make slits to allow steam to escape.
Paper plate and cups	Use for short-term cooking/warming only. Do not leave oven unattended while cooking.
Paper towels	Use to cover food for reheating and absorbing fat. Use with supervision for a short-term cooking only.
Parchment paper	Use as a cover to prevent splattering, or as a wrap for steaming.
Plastic microwave-safe only	Follow the manufacturer's instructions. Should be labeled 'Microwave Safe'. Some plastic containers soften, as the food inside gets hot. 'Boiling bags' and tightly closed plastic bags should be slit, pierced or vented as directed by package.
Plastic wrap	Microwave-safe only. Use to cover food during cooking to retain moisture. Do not allow plastic wrap to touch food.
Thermometers	Microwave-safe only (meat and candy thermometers).
Wax paper	Use as a cover to prevent splattering and retain moisture.

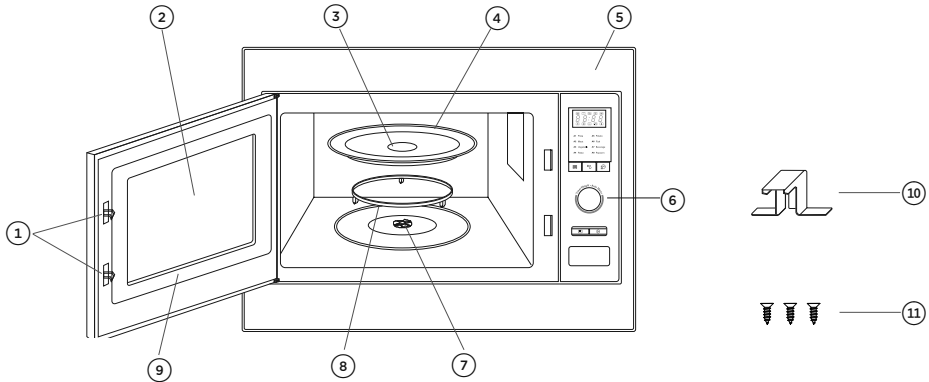
### Non-microwaveable materials

UTENSILS	REMARKS
Aluminium tray	May cause arcing. Transfer food into microwave-safe dish.
Food carton with metal handle	May cause arcing. Transfer food into microwave-safe dish.
Metal or metaltrimmed utensils	Metal shields the food from microwave energy. Metal trim may cause arcing.
Metal twist ties	May cause arcing and could cause a fire in the oven.
Paper bags	Risk of causing a fire in the oven.
Plastic foam	Plastic foam may melt or contaminate the liquid inside when exposed to high temperature. Risk of poisoning.
Wood	Wood will dry out when used in the microwave oven and may split or crack.

## BEFORE INSTALLATION

### IMPORTANT!

- Remove the oven and all materials from the carton and oven cavity.
- Check the components and accessories are complete.



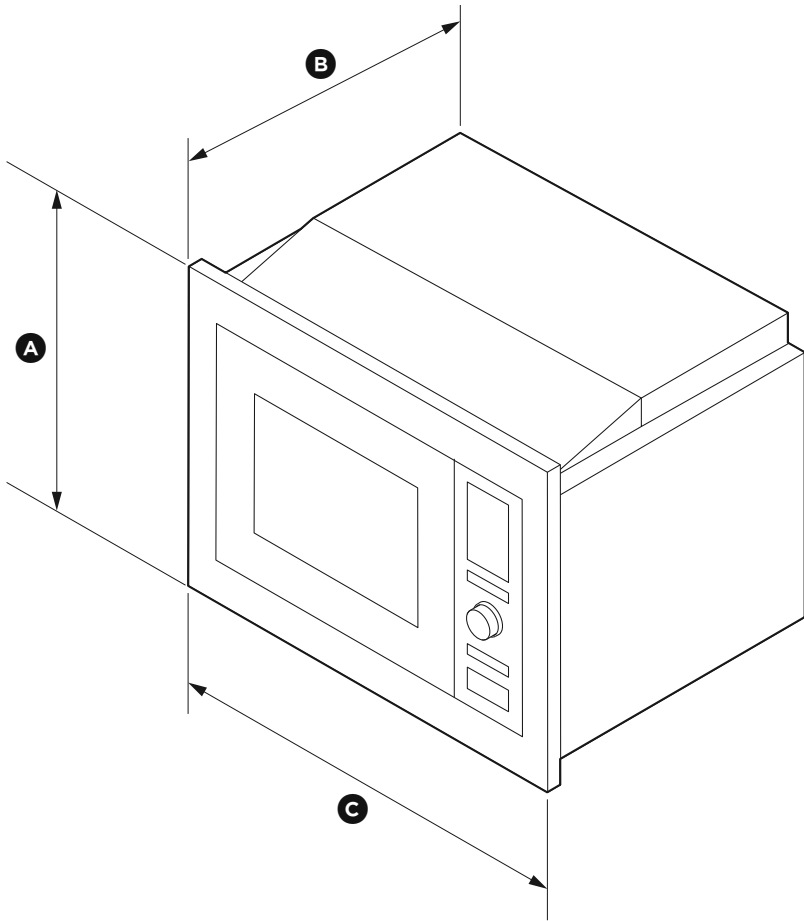
### OVEN FEATURES AND ACCESSORIES

- |                           |                           |
|---------------------------|---------------------------|
| ① Safety interlock system | ⑦ Turntable shaft         |
| ② Observation window      | ⑧ Turntable ring assembly |
| ③ Hub (underside)         | ⑨ Door assembly           |
| ④ Glass tray              | ⑩ Mounting plate          |
| ⑤ Front trim              | ⑪ Screws                  |
| ⑥ Control panel           |                           |

### IMPORTANT!

- Never place the glass tray upside down. The glass tray should never be restricted.
- Both glass tray and turntable ring assembly must always be used during cooking.
- All food and containers of food are always placed on the glass tray for cooking.
- If the glass tray or turntable ring assembly cracks or breaks, contact your Fisher & Paykel trained and supported service technician.

# INSTALLATION GUIDE



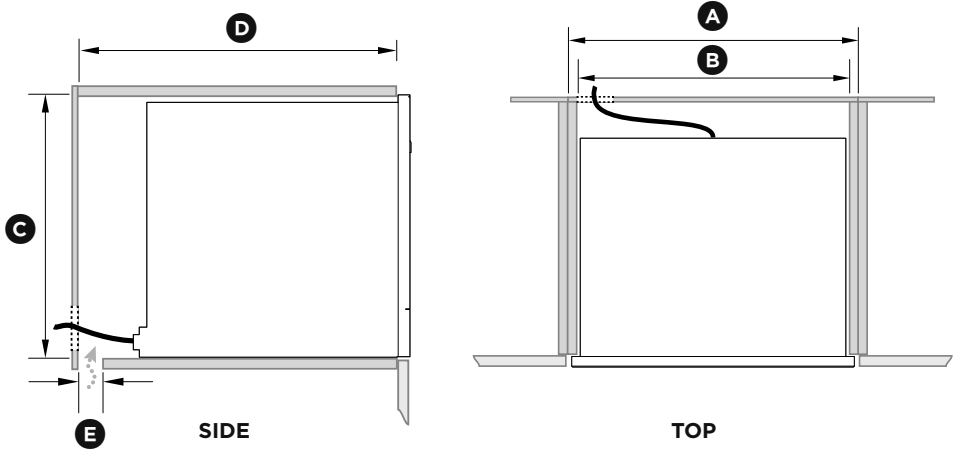
PRODUCT DIMENSIONS	OM25BLSB1/OM25BLSX1	OM25BLCX1
	mm	mm
Ⓐ Overall height	388	460
Ⓑ Overall depth	400	470
Ⓒ Overall width	595	595

Note: Above dimensions include the pre-installed trim kit.

# INSTALLATION GUIDE

## IMPORTANT!

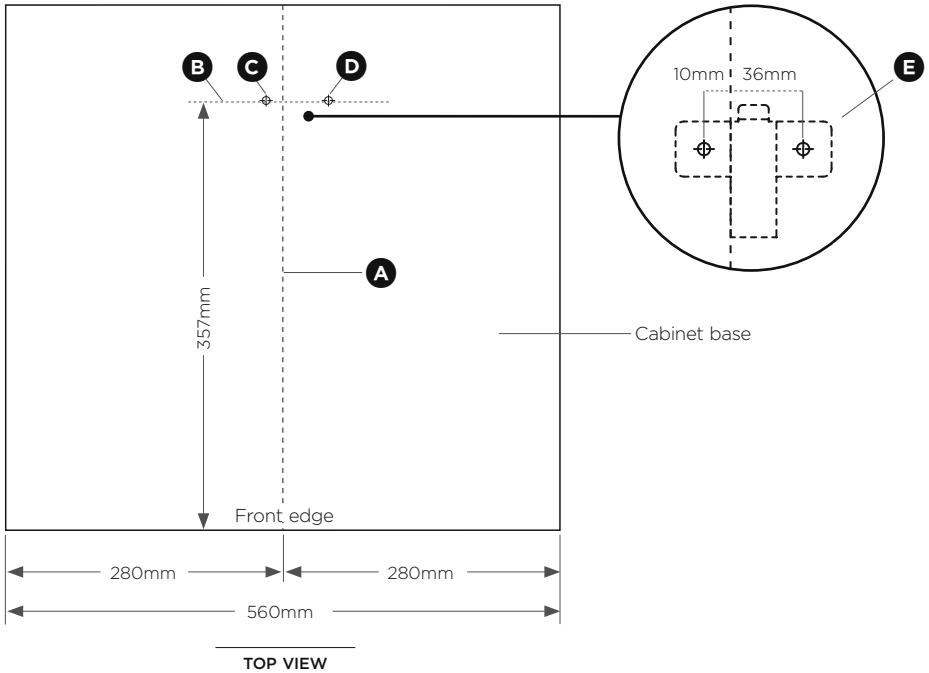
- The oven is fitted with a plug and must only be connected to a properly installed earthed socket. The socket must only be installed and the connecting cable must only be replaced by a qualified electrician, and in accordance with the appropriate regulations.
- If the plug is no longer accessible following installation, an all-pole isolating switch must be present on the installation side with a contact gap of at least 3mm.
- Minimum installation height (from floor to base of product): 85cm (for OM25BLCX1 model only).
- Do not cover ventilation slots and suction holes.
- Do not trap or bend the power cable.
- To guarantee correct ventilation a 45mm air gap to free air must be maintained at the back of the appliance.
- This air gap can be created through the base of the cabinet as shown or through the back or side of the cabinet.



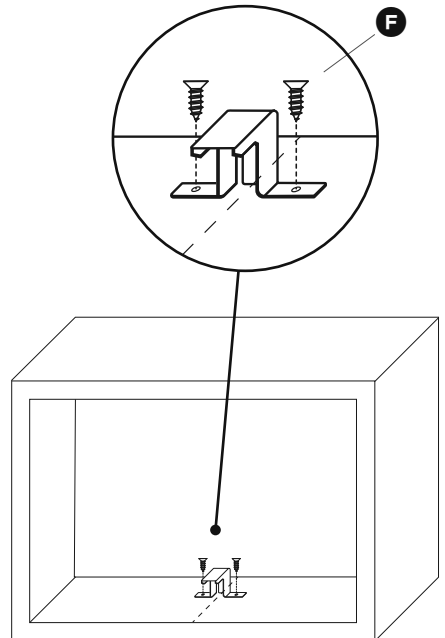
CABINERY DIMENSIONS	OM25BLSB1/OM25BLSX1	OM25BLCX1
	mm	mm
(A) Overall width of cavity	600	600
(B) Inside width of cavity	min 560	min 560
(C) Inside height of cavity	min 380	min 450
(D) Depth of cavity	min 550	min 550
(E) Ventilation gap (through back, base or side of cabinet)	45	45

# INSTALLATION GUIDE

## Installing mounting plate in cabinet



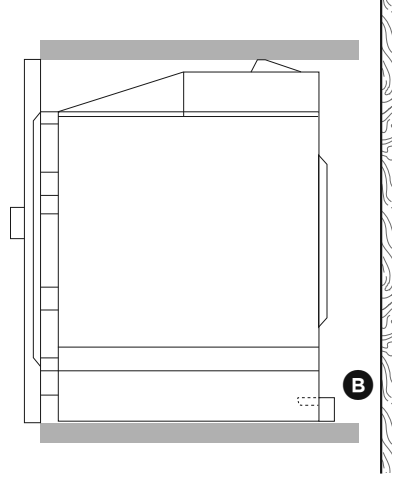
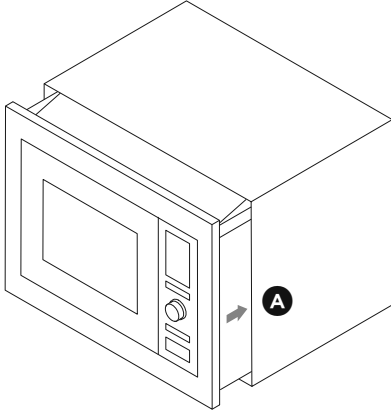
- 1 Mark a centerline (**A**) along the base of the cabinet.
- 2 Measure 357mm from the front edge of the cabinet and mark a line (**B**) across the centreline.
- 3 Measure 10mm along line (**B**) from the centreline towards the left and mark a screw hole (**C**).
- 4 Measure 36mm along line (**B**) from the centreline towards the right and mark a screw hole (**D**).
- 5 Place the mounting plate (**E**) aligning its screw holes with the screw hole locations on the cabinet base.
- 6 Fix the mounting plate with supplied screws (**F**) to the screw holes.



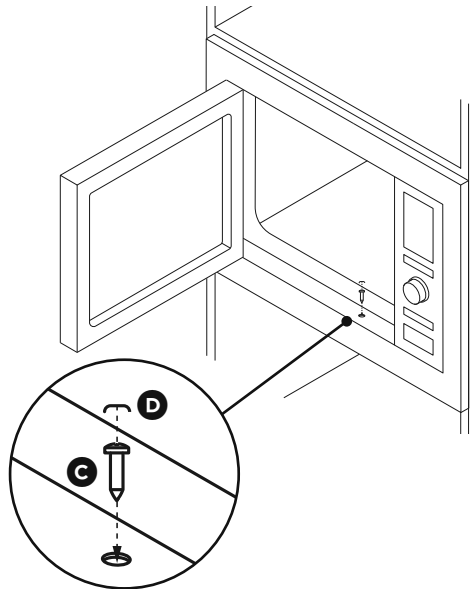
# INSTALLATION GUIDE

## Installing the oven

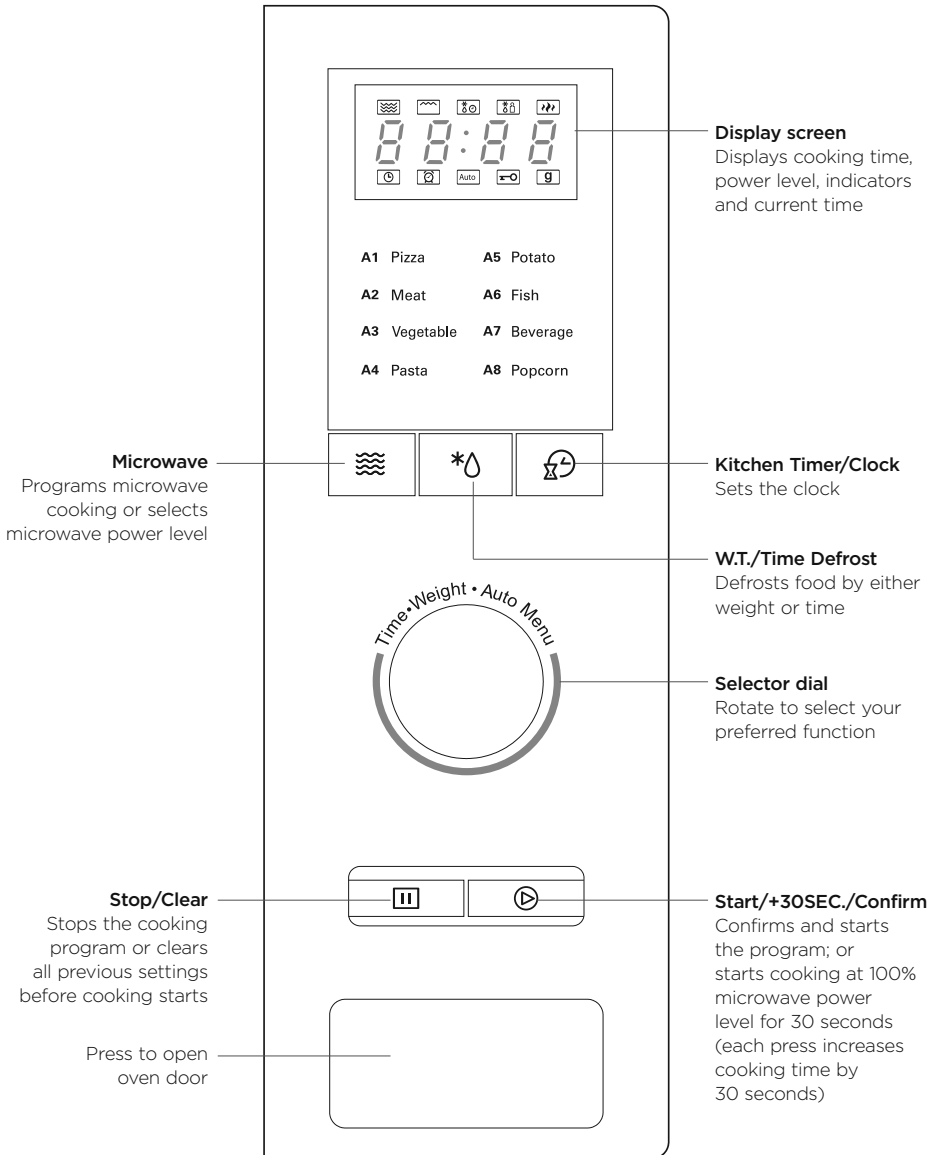
- ① Place the oven into the cabinet (**A**).
  - Ensure the back of the oven is locked by the mounting plate (**B**).
  - Do not trap or kink the power cord.



- ② Fix the oven to the cabinet:
  - Open the door
  - Install a screw (**C**) into the installation hole of the oven trim.
  - Fit a plastic cover (**D**) over the installation hole.



## Control Panel





## Quick Start

Use this feature to automatically programme the oven to cook food at 100% power.

- ① Turn **Selector dial** left to set cooking time on the **Display screen**, then press **Start/+30Sec./Confirm** to start cooking.
- ② Press **Start/+30Sec./Confirm** to start the cooking time. Additional presses of **Start/+30Sec./Confirm** will increase the cooking time by 30 seconds up to a maximum of 95 minutes.

## Microwave cooking

- ① Press **Microwave** and the LED will display 'P100'.
- ② Press **Microwave** repeatedly to adjust the power level between 100% and 10%, or turn **Selector dial** to choose the power you prefer. The display screen will show 'P100', 'P80', 'P50', 'P30' or 'P10' for each additional press.
- ③ Press **Start/+30Sec./Confirm** to confirm your selection.
- ④ Turn **Selector dial** to set cooking time from 0:05 to 95:00 minutes.
- ⑤ Press **Start/+30Sec./Confirm** again to start cooking.

PRESS	DISPLAY	POWER LEVEL	DESCRIPTION
Once	P100	100%	High
Twice	P80	80%	Medium High
3 times	P50	50%	Medium
4 times	P30	30%	Medium Low
5 times	P10	10%	Low

Example: If you want to use 80% microwave power to cook for 20 minutes:

- Press **Microwave** once, the screen display 'P100'.
- Press **Microwave** again or turn **Selector dial** to choose 80% microwave power.
- Press **Start/+30Sec./Confirm** to confirm, and the screen will display 'P80'.
- Turn **Selector dial** to adjust the cooking time until the oven displays '20:00'.
- Press **Start/+30Sec./Confirm** to start cooking.

Note: The cooking time will increase/decrease in set increments as per below:

0-1 min	: 5 seconds
1-5 min	: 10 seconds
5-10 min	: 30 seconds
10-30 min	: 1 minute
30-95 min	: 5 minutes

## Defrost by Weight

- ① Press **WT/Time Defrost** once, the oven will display 'dEF1'.
- ② Turn **Selector dial** to select the weight of food from 100 to 1000g.
- ③ Press **Start/+30Sec./Confirm** to start defrosting.

## Defrost by Time

- ① Press **WT/Time Defrost** twice, the oven will display 'dEF2'.
- ② Turn **Selector dial** to select the defrost time. The maximum time is 95 minutes.
- ③ Press **Start/+30Sec./Confirm** to start defrosting. The defrost power is set at P30 and does not change.

## Multi-function cooking

This feature allows you to use different cooking functions in one setting. For example, if you want to defrost food for 5 minutes and then cook with 80% power for 7 minutes.

Note: If defrost is one of the functions used, this must be entered first.

- ① Press **WT/Time Defrost** twice, the oven will display 'dEF2'.
- ② Turn **Selector dial** to select the defrost time until '5:00' is displayed
- ③ Press **Microwave** once the screen display 'P100'
- ④ Press **Microwave** again or turn **Selector dial** to select 80% power.
- ⑤ Press **Start/+30Sec./Confirm** to select.
- ⑥ Turn **Selector dial** to select the cooking time until '7:00' is displayed
- ⑦ Press **Start/+30Sec./Confirm** to start cooking.  
The buzzer will sound once when the first cooking function starts. The buzzer will sound again when the second cooking function starts. The buzzer will sound 5 times when cooking is complete.

## Setting the Clock

When the microwave oven is on, the LED will display '0:00' and the buzzer will ring once.

- ① Press **Kitchen Timer/Clock** twice to select clock function. The 'hour' will flash.
- ② Turn **Selector dial** to adjust the hour. The input time will be 0-23.
- ③ Press **Kitchen Timer/Clock** and the 'minute' will flash.
- ④ Turn **Selector dial** to adjust the 'minute', the input time will be 0-59.
- ⑤ Press **Kitchen Timer/Clock** to finish clock setting. ':' will flash, and time will light up.  
Note: The clock will not work if it is not set. During the process of clock setting, if you press **Stop/Clear** the oven will go back to the previous status automatically.

## Kitchen Timer

- ① Press **Kitchen Timer/Clock** once, LED will display '00:00'.
- ② Turn **Selector dial** to enter the required time (the maximum cooking time is 95 minutes.)
- ③ Press **Start/+30Sec./Confirm** to confirm the setting.
- ④ When the set time is reached, the buzzer will ring 5 times. If the clock has been set, the LED display will show the current time.

## Lookup function

When the microwave is in use, you can determine the current cooking power and time.

### To view the cooking power:

- Press **Microwave**, the current power will display for 3 seconds.

### To see the current time:

- Press **Kitchen Timer/Clock**, the time will display for 3 seconds.

## Key Lock

Key lock prevents unsupervised operation by children.

### To turn key lock on:

- Press **Stop/Clear** for 3 seconds, a long beep with sound. If the clock is set the current time will be displayed, otherwise the LED will display "E : J"

### To turn key lock off:

- Press **Stop/Clear** for 3 seconds, a long beep with sound.

## Auto Menu

Auto Menu allows you to cook or reheat food automatically without entering power level or time. Choose the food item and its weight, the oven will automatically cook your food item for the recommended time and power level.

- ① Turn **Selector dial** right to select the menu, 'A-1' to 'A-8' will display. Refer to the Auto Menu table (page 20).
- ② Press **Start/+30Sec./Confirm** to select.
- ③ Turn **Selector dial** to choose the default weight as detailed in the menu chart.
- ④ Press **Start/+30Sec./Confirm** again to start cooking.

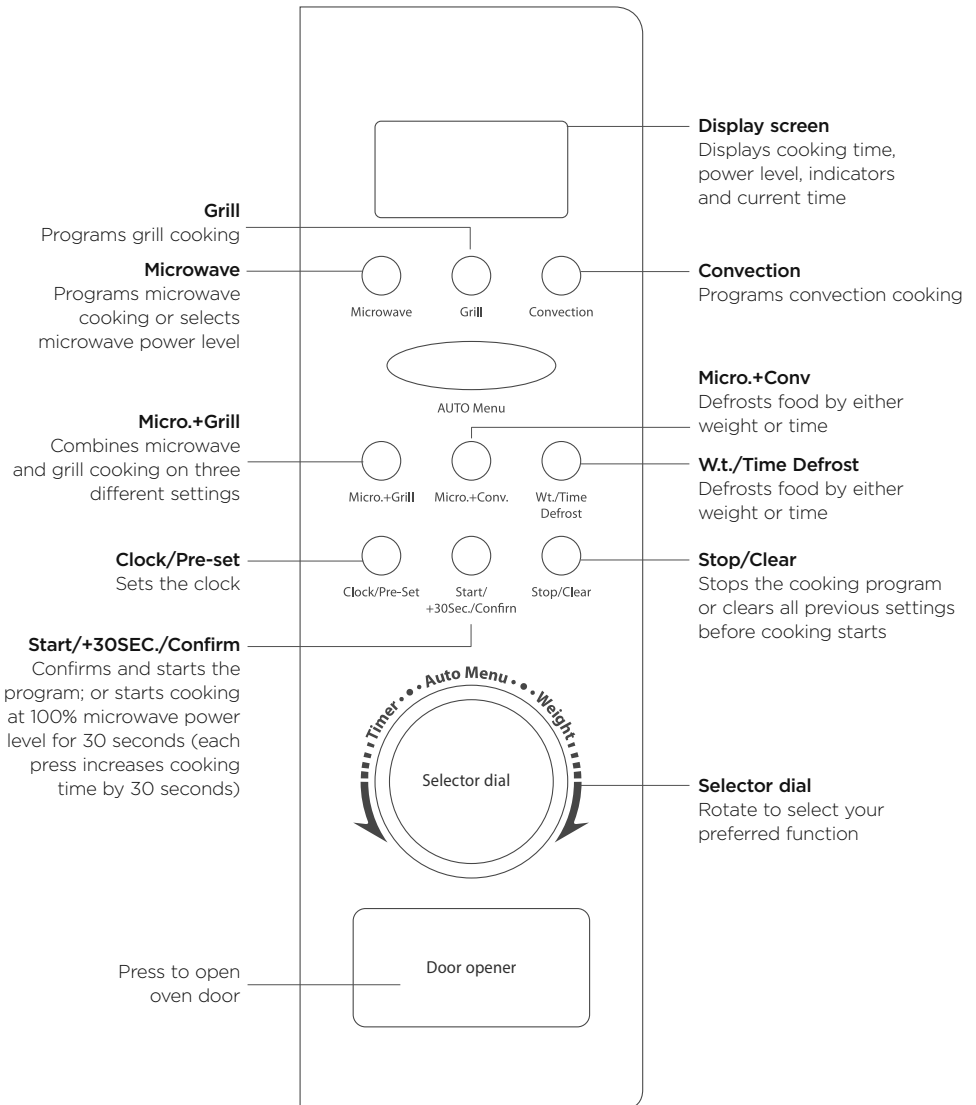
Example: If you want to use Auto Menu to cook 350g of fish.

- Turn **Selector dial** clockwise until 'A-6' is display
- Press **Start/+30Sec./Confirm** to select.
- Turn **Selector dial** to select the weight of fish until '350' is displayed.
- Press **Start/+30Sec./Confirm** to start cooking.

## USER GUIDE (OM25BLSB1/OM25BLSX1)

AUTO MENU	WEIGHT (GRAMS)	DISPLAY
A-1 Pizza	200	200
	400	400
	250	250
A-2 Meat	350	350
	450	450
	200	200
A-3 Vegetable	300	300
	400	400
	50 (with 450ml cold water)	50
A-4 Pasta	100 (with 800ml cold water)	100
	200	200
A-5 Potato	400	400
	600	600
	250	250
A-6 Fish	350	350
	450	450
	1 (about 120ml)	1
A-7 Beverage	2 (about 240ml)	2
	3 (about 360ml)	3
	50	50
A-8 Popcorn	85	85
	100	100

## Control Panel



## Quick Start

Use this feature to automatically programme the oven to cook food at 100% power.

- ① Turn **Selector dial** left to set cooking time on the **Display screen**, then press **Start/+30Sec./Confirm** to start cooking.
- ② Press **Start/+30Sec./Confirm** to start the cooking time. Additional presses of **Start/+30Sec./Confirm** will increase the cooking time by 30 seconds up to a maximum of 95 minutes.

## Microwave cooking

- ① Press **Microwave** and the LED will display 'P100'.
- ② Press **Microwave** repeatedly to adjust the power level between 100% and 10%, or turn **Selector dial** to choose the power you prefer. The display screen will show 'P100', 'P80', 'P50', 'P30' or 'P10' for each additional press.
- ③ Press **Start/+30Sec./Confirm** to confirm your selection.
- ④ Turn **Selector dial** to set cooking time from 0:05 to 95:00 minutes.
- ⑤ Press **Start/+30Sec./Confirm** again to start cooking.

PRESS	DISPLAY	POWER LEVEL	DESCRIPTION
Once	P100	100%	High
Twice	P80	80%	Medium High
3 times	P50	50%	Medium
4 times	P30	30%	Medium Low
5 times	P10	10%	Low

Example: If you want to use 80% microwave power to cook for 20 minutes:

- Press **Microwave** once, the screen display 'P100'.
- Press **Microwave** again or turn **Selector dial** to choose 80% microwave power
- Press **Start/+30Sec./Confirm** to confirm, and the screen will display 'P80'.
- Turn **Selector dial** to adjust the cooking time until the oven displays '20:00'.
- Press **Start/+30Sec./Confirm** to start cooking.

Note: The cooking time will increase/decrease in set increments as per below:

0-1 min	: 5 seconds
1-5 min	: 10 seconds
5-10 min	: 30 seconds
10-30 min	: 1 minute
30-95 min	: 5 minute

## Defrost by Weight

- ① Press **WT/Time Defrost** once, the oven will display 'dEF1'.
- ② Turn **Selector dial** to select the weight of food from 100 to 1000g.
- ③ Press **Start/+30Sec./Confirm** to start defrosting.

## Defrost by Time

- ① Press **WT/Time Defrost** twice, the oven will display 'dEF2'.
- ② Turn **Selector dial** to select the Defrost time. The maximum time is 95 minutes.
- ③ Press **Start/+30Sec./Confirm** to start defrosting. The Defrost power is set at 'P30' and does not change.

## Multi-function cooking

This feature allows you to use different cooking functions in one setting. For example, if you want to defrost food for 5 minutes and then cook with 80% power for 7 minutes.

Note: If Defrost is one of the functions used, this must be entered first.

- ① Press **WT/Time Defrost** twice, the oven will display 'dEF2'.
- ② Turn **Selector dial** to select the defrost time until '5:00' is displayed
- ③ Press **Microwave** once the screen display 'P100'
- ④ Press **Microwave** again or turn **Selector dial** to select 80% power.
- ⑤ Press **Start/+30Sec./Confirm** to select.
- ⑥ Turn **Selector dial** to select the cooking time until '7:00' is displayed.
- ⑦ Press **Start/+30Sec./Confirm** to start cooking.  
The buzzer will sound once when the first cooking function starts. The buzzer will sound again when the second cooking function starts. The buzzer will sound 5 times when cooking is complete.

## Grill cooking

Grill cooking is particularly useful for thin slices of meat, steaks, chops, kebabs, sausages and pieces of chicken. It is also suitable for hot sandwiches and au gratin dishes.

- ① Press the Grill button once ('G-' will show in the display).
- ② Turn the **Selector dial** to select the cooking time (minimum 5 seconds; maximum 95 minutes).
- ③ Press **Start/+30Sec./Confirm** to start cooking.

When half of the grill time has passed, the alarm will beep twice to tell you to turn the food over. If you leave the oven to continue grilling without turning the food over the alarm will beep twice (up to four more times) to remind you to turn your food over, as it continues grilling. For best result in grilling food, you should turn the food item over, close the door and then press **Start/+30Sec./Confirm** to resume cooking.

## Convection cooking

Convection cooking enables you to cook the food as with a traditional oven. Microwaves are not used. During convection cooking, hot air is circulated throughout the oven cavity to brown and crisp food items quickly and evenly. This oven can be programmed for ten different cooking temperatures between 140–230°C at 10°C increments.

It is recommended that the oven is preheated to the appropriate temperature before food is placed in the oven.

### With preheating

- ① Press the **Convection** button once and '0' will flash in the display. This is the temperature setting.
- ② To adjust the temperature between 140–230°C, press **Convection** the required number of times or turn the **Selector dial** until the desired temperature is displayed.
- ③ Press the **Start/+30Sec./Confirm** to confirm the temperature.
- ④ Press the **Start/+30Sec./Confirm** to start preheating.  
When the oven has reached the preheated temperature, the oven alarm will beep twice to remind you to put the food into the oven. The preheated temperature will flash in the display.
- ⑤ Put the food into the oven and close the door. Turn the **Selector dial** to select the cooking time (minimum 5 seconds; maximum 95 minutes).
- ⑥ Press the **Start/+30Sec./Confirm** key to start cooking.

Note:

- The cooking time cannot be set until the oven has reached the preheated temperature and the door has been opened.
- The oven will stop if the cooking time is not set within 5 minutes. The oven alarm will beep five times and return to the standby mode (and the current time is displayed).

### Without preheating

- ① Press the **Convection** button once and '0' will flash in the display. This is the temperature setting.
- ② To adjust the temperature between 140–230°C, press **Convection** the required number of times or turn the **Selector dial** until the desired temperature is displayed.
- ③ Press the **Start/+30Sec./Confirm** to confirm the temperature.
- ④ Put the food into the oven and close the door. Turn the **Selector dial** to select the cooking time (minimum 5 seconds; maximum 95 minutes).
- ⑤ Press the **Start/+30Sec./Confirm** key to start cooking.



## Combination cooking

### Microwave + Grill

This feature allows you to combine grill and microwave cooking on three different settings.

- ① Press the **Microwave + Grill** button once ('G-2' will show in the display).
- ② To adjust the grill power, press the **Microwave + Grill** button the required number of times (see the table below) or turn the **Selector dial** until the desired grill level is displayed.
- ③ Press **Start/+30Sec./Confirm** to confirm.
- ④ Turn the **Selector dial** to select the cooking time (minimum 5 seconds; maximum 95 minutes).
- ⑤ Press **Start/+30Sec./Confirm** to start cooking.

DISPLAY	MICROWAVE POWER	GRILL POWER
G-2	28%	72%
G-3	38%	62%
G-4	48%	52%

### Microwave + Convection

This feature allows you to combine microwave and convection cooking on four different settings.

- ① Press the **Microwave + Convection** button once ('C-1' will show in the display).
- ② To adjust the convection power, press the **Microwave + Convection** button the required number of times.

DISPLAY	MICROWAVE POWER	CONVECTION POWER	GRILL POWER
C-1	28%	72%	—
C-2	38%	62%	—
C-3	48%	52%	—
C-4	48%	52%	52%

### Clock setting

- ① Press **Clock/Pre-set** to choose 12-hour or 24-hour.
- ② Turn **Selector dial** to adjust the hour.
- ③ Press **Clock/Pre-set** and the 'minute' will flash.
- ④ Turn **Selector dial** to adjust the 'minute'.
- ⑤ Press **Clock/Pre-set** to finish clock setting. ':' will flash, and the time will light.

Note: The clock will not work if it is not set. During the process of clock setting, if you press **Stop/Clear** the oven will go back to the previous status automatically.

## Delay start cooking

### To set the oven for delay start cooking

- ① Set the clock first (refer to 'Setting the Clock' on page 18). The clock must be set for the delay start cooking function to work.
- ② Select the cooking program. A maximum of two stages can be selected.  
Note: defrosting should not be included in the delay start cooking function.  
Auto Menu can be set as a single stage only.  
For example, to cook with 80% microwave power for 7 minutes.
- ③ Press **MICROWAVE** once.
  - To select 80% microwave power, turn the **Selector dial** until 'P80' shows in the display.
  - Press **Start/+30Sec./Confirm** to confirm.
  - Turn the **Selector dial** to select the cooking time of 7 minutes.Do not press **Start/+30Sec./Confirm**.
- ④ Press **Clock/Pre-set**. The current time is shown and the hour figures will flash in the display.
- ⑤ Turn the **Selector dial** to adjust the hour figures. This should be within 0–23 (24-hour) or 1–12 (12-hour).
- ⑥ Press **Clock/Pre-set** and the minute figures will flash in the display.
- ⑦ Turn the **Selector dial** to adjust the minute figures. This should be within 0–59.
- ⑧ Press **Start/+30Sec./Confirm** to confirm the delay start cooking time. stops flashing and stays lit until the pre-set time. The oven alarm will beep twice and start cooking automatically at the pre-set time.

## Auto Menu

- ① Press **Auto Menu** and 'A-1' will show in the display.
- ② To select the desired function, press **Auto Menu** button repeatedly or turn **Selector dial** until the desired function is displayed. Refer to the Auto Menu table (page 27).
- ③ Press **Start/+30Sec./Confirm** to confirm.
- ④ Turn **Selector dial** to choose the default weight as indicated in **Auto Menu** (indicator will light up).
- ⑤ Press **Start/+30Sec./Confirm** again to start cooking.  
Note:
  - Cake menu is under Convection cooking with 180°C warm-up function and you should preheat first following the Auto Menu operation. When the oven reaches the required temperature, it will stop heating, and the alarm will beep to remind you to put cake in, then press **Start/+30Sec./Confirm** to start cooking.
  - Food items may require more or less than the pre-programmed time to cook thoroughly depending on size and thickness of items.

## USER GUIDE (OM25BLCX1)

AUTO MENU	WEIGHT (GRAMS)	DISPLAY	POWER
<b>A-1</b> Auto reheat	150	150	100%
	250	250	
	350	350	
	450	450	
	600	600	
<b>A-2</b> Potato	1 (about 230)	1	100%
	2 (about 460)	2	
	3 (about 690)	3	
<b>A-3</b> Meat	150	150	100%
	300	300	
	450	450	
	600	600	
<b>A-4</b> Vegetable	150	150	100%
	350	350	
	500	500	
<b>A-5</b> Fish	150	150	80%
	250	250	
	350	350	
	450	450	
	650	650	
<b>A-6</b> Pasta	50 (with 450ml water)	50	80%
	100 (with 800ml water)	100	
	150 (with 1200ml water)	150	
<b>A-7</b> Soup	200	200	100%
	400	400	
	600	600	
<b>A-8</b> Cake	475	475	Preheat at 180°C
<b>A-9</b> Pizza	200	200	C-4
	300	300	
	400	400	
<b>A-10</b> Chicken	500	500	C-4
	750	750	
	1000	1000	
	1200	1200	

## TROUBLESHOOTING

NORMAL	COMMENT
Microwave oven interfering TV reception	Radio and TV reception may experience interference when the microwave oven is operating. It is similar to the interference caused by small electrical appliances, eg mixer, vacuum cleaner, and electric fan.
Dim oven light	During lower power microwave cooking, the oven light may dim. This is normal.
Steam accumulating on door, hot air out of vents	Food produces steam during the cooking process. Most will escape from the vents however some steam may accumulate in cooler areas of the oven such as the interior of the door. This is normal.
Oven started accidentally with no food inside	DO NOT operate the oven without food.

TROUBLE	POSSIBLE CAUSE	REMEDY
Oven cannot be started	Power cord not plugged in correctly.	Disconnect then reconnect it again after 10 seconds.
	Fuse blown or circuit breaker activated.	Replace fuse or reset circuit breaker (Any electrical repairs must be carried out by a qualified person or a Fisher & Paykel trained and supported service technician).
	Trouble with outlet.	Test outlet with other electrical appliances.
Oven does not heat	Door not closed properly.	Close door properly.

# MANUFACTURER'S WARRANTY

---

For details of your 5 year manufacturer's warranty and contacts for servicing, please refer to your separate service & warranty document online at [fisherpaykel.com/uk](http://fisherpaykel.com/uk).

This product has been designed for use in a normal domestic (residential environment). This product is not designed for any commercial use. Any commercial use by the customer will affect this products Manufacturer's Warranty.

For spare parts, please contact Fisher & Paykel Customer Care. Spare parts are available for all Fisher & Paykel products for a minimum period of 10 years from the date of manufacture.

## CUSTOMER CARE

### Before you call for service or assistance

Check the things you can do yourself. Refer to your user guide and check:

- ① Your product is correctly installed.
- ② You are familiar with its normal operation.
- ③ You have read the 'Troubleshooting' section.

If after checking these points you still need assistance or parts, please refer to your nearest Fisher & Paykel trained and supported service technician, Customer Care, or contact us through our website [fisherpaykel.com](http://fisherpaykel.com).

### In UK if you need assistance

Call the Fisher & Paykel Customer Care Centre and talk to one of our Customer Care Consultants.

**Toll Free:** 08000 886 605

**Website:** [fisherpaykel.com](http://fisherpaykel.com)

#### Postal address:

Fisher & Paykel Appliances Ltd,  
Turing House, Ortensia Drive,  
Milton Keynes MK17 8LX

### In Ireland if you need assistance

Call the Fisher & Paykel Customer Care Centre and talk to one of our Customer Care Consultants.

**Toll Free:** 1800 625174 or 01 807 7960

**Website:** [fisherpaykel.com](http://fisherpaykel.com)

#### Postal address:

Fisher & Paykel Appliances Ltd,  
Unit 2D Corporate Park,  
Swords Dublin

## CUSTOMER CARE

---

### If you need service

Fisher & Paykel has a network of Fisher & Paykel trained and supported service technicians that can carry out any service necessary on your appliance. Our Customer Care Centre can recommend a Fisher & Paykel trained and supported service technician in your area. Or you can book one online at [fisherpaykel.com/uk/help-and-support](http://fisherpaykel.com/uk/help-and-support) or [fisherpaykel.com/ie/help-and-support](http://fisherpaykel.com/ie/help-and-support)

If you call, write or contact us via our website please provide:  
your name and address, model number, serial number, date of purchase and a complete description of the problem. This information is needed in order to better respond to your request for assistance.

### Registration

Register your product with us so we can provide you with the best service possible.  
To register your product visit our website: [fisherpaykel.com/register](http://fisherpaykel.com/register)


#### Complete and keep for safe reference:

Model	_____
Serial No.	_____
Purchase Date	_____
Purchaser	_____
Dealer	_____
Suburb	_____
Town	_____
Country	_____

## EUROPEAN DIRECTIVE 2012/19/EU ON WASTE ELECTRICAL AND ELECTRONIC EQUIPMENT (WEEE)

---

**EU** This appliance is marked according to the European Directive 2012/19/EU on Waste Electrical and Electronic Equipment (WEEE). By ensuring this product is disposed of correctly, you will help prevent potential negative consequences for the environment and human health, which could otherwise be caused by inappropriate handling of this product.

The symbol  marked on the serial plate, or on the documents accompanying the product, indicates that this appliance cannot be treated as household waste. It shall be handed over to the applicable collection point for the recycling of electrical and electronic equipment. Disposal of the appliance shall be carried out in accordance with the local environment regulations for waste disposal and ensure the refrigerant circuit is not damaged.

For more detailed information about treatment, recovery and recycling of this product, please contact your local city office, your household waste disposal service or your Fisher & Paykel retailer/dealer from whom you purchased this product.

**FISHERPAYKEL.COM**

© Fisher & Paykel Appliances 2021. All rights reserved.

The models shown in this guide may not be available in all markets  
and are subject to change at any time.

The product specifications in this guide apply to the specific products and  
models described at the date of issue. Under our policy of continuous product  
improvement, these specifications may change at any time.

For current details about model and specification availability in your country,  
please go to our website or contact your local Fisher & Paykel dealer.

**591914D 06.21**