

24" Series 9 Integrated Wine Cabinet

Series 9 | Integrated

Panel Ready | Right Hinge



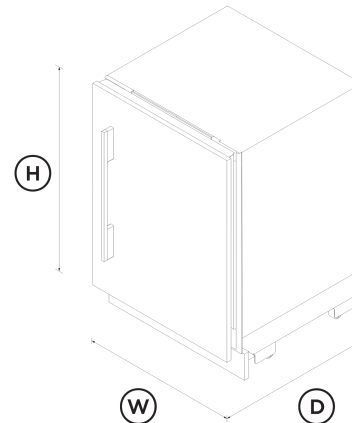
Designed for wine lovers, this under-counter, panel-ready wine cabinet seamlessly blends into any space of the evolving home. With dual temperature zones and specialized modes, it provides optimal conditions for all wine types.

- With two independent temperature zones to cater for different wine varieties
- Four specialized wine modes for Red, White, Sparkling, and Cellar wines

- Accommodates up to 35 bottles, providing ample space for a diverse collection
- Designed to fit flush, with only 3/16" gaps and no visible hinges or grilles

DIMENSIONS

Height	33 13/16 "
Width	23 5/16 "
Depth	22 11/16 "



FEATURES & BENEFITS

Complete Design Freedom

This sleek under-counter wine cabinet enhances any space, from kitchens to home bars, rumpus rooms to home cinemas. Compact and stylish, it is a sophisticated, space-efficient solution for wine enthusiasts looking to add elegance and accessibility to their home. Pairs perfectly with our Beverage Center to create an entertainer's dream set-up.

Optimal Wine Care

To provide the perfect storage environment for your wine collection, this cabinet has been engineered to maintain a consistent temperature across two independently-controlled zones. An activated carbon filter in each compartment clears the air of pollutants, ensuring your wine is perfectly preserved.

Precise Temperature Control

Four tailored wine modes offer optimal temperatures for serving and cellaring different types of wine: Red, White, Sparkling, and Cellar. These modes ensure each variety can receive the care it needs to be enjoyed at its best. Manual temperature adjustments are possible in 1.8°F increments between 34-57°F.

Reduced Vibration

Vibration can dull flavor and cause other unwanted issues in wine. This cabinet features a quiet, low-vibration compressor, full-extension slides with white oak shelving, and other strategically chosen absorptive materials to help carefully maintain the flavor profile of every drop.

Seamless Fit

These panel-ready models are designed to fit flush, with only 1/8" inch gaps between the wine cabinet and surrounding cabinetry, and no visible hinges or grilles. They can be seamlessly hidden behind cabinetry, or choose our tinted glass model instead to put your collection proudly on display.

Simple Installation

Our Integrated products are easy to install, whether you are renovating your kitchen or designing a new one. Adjustable front and rear feet allow for uneven floors alongside adjustable door panels that can be customized to match your kitchen. These models are designed to easily slide into place under your counter - a perfect fit for European-design kitchens.

SPECIFICATIONS

Accessories (sold separately)

Door panel stainless steel	Left (Solid) RD2435L, Right (Solid) RD2435R
Handle kit Classic	AHCLRD35
Handle kit Contemporary round	AHSRD35
Handle kit Contemporary square fine, aluminium	AHD5RD35
Handle kit Contemporary square fine, black	AHD5RD35B
Handle kit Professional round flush	AHP3RD35
Joiner kit	AJRS35LR
Toe kick stainless steel 23"	AKRS2304
Toe kick stainless steel 47"	AKRS4704
Wine display label Kit (14 labels with white pencil)	ALV14
Wine filter odour kit	863974

Capacity

Number of bottles	35
-------------------	-----------

Features

Air filter lower compartment	•
------------------------------	---

Air filter upper compartment	•
Door alarm	•
Full extension storage racks	5
LED lighting	•
Low vibration compressor	•
Removable solid oak shelves	5
Smart appliance	•
SmartTouch interface at counter height	•
Soft-mounted wine racks	•
Telescopic slide out oak shelves	5

Installation Dimensions

Minimum inside width of cabinetry frame	23 5/8 "
Minimum internal depth of cabinetry	23 5/8 "
Minimum internal height of cabinetry	34 "

Performance

ActiveSmart™ wine care	•
Door opening	right hand hinge
Dual evaporator	•
Dual Zone	•
Noise emissions	34 dBA
Sabbath mode	•
Temperature range	43-64 degrees Fahrenheit
Variable temperature zones	2
Variable wine modes	Red, White, Sparkling, Cellar

Power Requirements

Rated current	10 A
Supply frequency	60 Hz
Supply voltage	115 V

Product Dimensions

Depth	22 11/16 "
Height	33 13/16 "
Width	23 5/16 "

Warranty

Parts and labor	2 years
-----------------	----------------

SKU	26705
-----	-------

The product dimensions and specifications in this page apply to the specific product and model. Under our policy of continuous improvement, these dimensions and specifications may change at any time. You should therefore check with Fisher & Paykel's Customer Care Centre to ensure this page correctly describes the model currently available. © Fisher & Paykel Appliances Ltd 2020

Other product downloads available at fisherpaykel.com

- [↓](#) 2D-DWG
- [↓](#) 2D-DXF
- [↓](#) Service & Warranty
- [↓](#) Planning Guide Wine Cabinet & Beverage Center EN
- [↓](#) Revit 19

- [↓](#) User Guide EN
- [↓](#) User Guide FR
- [↓](#) User Guide SP

Where applicable:

All appliances use energy, and energy usage typically generates carbon emissions. **Fisher & Paykel Appliances' In-use Energy Carbon Emissions Estimate** indicates carbon emissions from a product's in-use energy. This is calculated either annually or per cycle, using the product's market-specific energy label energy consumption data multiplied by the carbon emissions factor for energy in your country or region.

Our In-use Energy Carbon Emissions Estimate is designed to assist customers in making informed purchasing decisions when comparing different Fisher & Paykel products. For example, a heat pump dryer typically has a lower In-use Energy Carbon Emissions Estimate than a vented dryer.



A PEACE OF MIND SALE
24 Hours 7 Days a Week Customer Support
T 1.888.936.7872 W www.fisherpaykel.com