

INSTALLATION INSTRUCTIONS

ActiveSmart™ Slide-in refrigerator

RS90A and RS90AU
models

NZ AU GB IE EU AE HK SG IN

Fisher & Paykel

www.fisherpaykel.com

839137 A 02.15



① SAFETY AND WARNINGS



This refrigerator contains flammable refrigerant isobutane (R600a).

⚠ WARNING!



Electric Shock Hazard
Read and follow the safety and warnings outlined in this installation guide before operating this appliance.
Failure to do so can result in death, electric shock, fire or injury to persons.

⚠ WARNING!



Cut Hazard
Take care - panel edges are sharp. Failure to use caution could result in injury or cuts.

⚠ WARNING!



- **This appliance is top-heavy and must be secured to prevent the possibility of tipping forward.**
- **To ensure that the appliance is stable under all loading conditions, the anti-tip bracket supplied can be installed according to the following installation instructions.**

② BEFORE INSTALLATION

Please follow the installation steps below to ensure your appliance is installed and operates correctly.

Power

- The appliance must be installed so the plug is accessible.
- To ensure that the appliance is not accidentally switched off, connect your refrigerator to its own isolating switch. Do not plug in any other appliance at this isolating switch.
- For power requirements, refer to the information on the serial plate. This is located at the front right-hand side of the drawer when open.
- It is essential that the appliance is properly grounded (earthed).
- Connect the appliance to the electrical supply (220V - 240V 50Hz) with the fitted plug and lead.
- Connections to the mains supply should be in accordance with local regulations.

Location

- Your refrigerator should not be located in direct sunlight or next to any heat generating appliance such as a cooktop, oven or dishwasher.
- This appliance is intended to be used in household and similar applications such as
 - Staff kitchen areas in shops, offices, and other working environments;
 - Domestic farm houses and by clients in hotels, motels and other residential type environments;
 - Domestic bed and breakfast type environments;
 - Domestic catering and similar non-retail/non-commercial applications.

Ice & Water models only

- Your Ice & Water refrigerator must be installed by an authorised plumber or Fisher & Paykel Authorised Repairer as incorrect plumbing can lead to water leaks.
- Fisher & Paykel Appliances does not accept responsibility for damage (including water damage) caused by faulty installation or plumbing.

Optional accessories kit

- The standard appliance does not include door panels. To complete the integrated appliance the customer should supply their own. All the hardware required to mount these door panels to the refrigerator doors is supplied.
- When designing custom door panels, these are only available for non-Ice & Water models.
- Standard Fisher & Paykel kits are available (EZKleen stainless steel door panels, part numbers: RD90U or RD90), and can be purchased through Fisher & Paykel Customer Care Centre or online at www.fisherpaykel.com (this service is available to selected markets only).

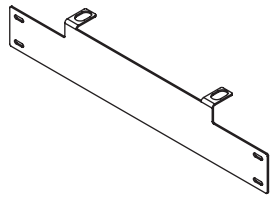
IMPORTANT!

SAVE THESE INSTRUCTIONS

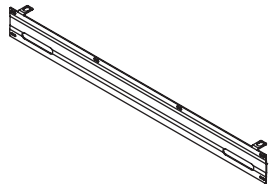
The models shown in this installation guide may not be available in all markets and are subject to change at any time. For current details about model and specification availability in your country, please go to our website www.fisherpaykel.com or contact your local Fisher & Paykel dealer.

3 COMPONENTS LIST

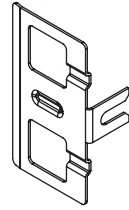
Door panel fittings kit - Included with standard appliance.



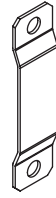
French door hanging bracket (2)



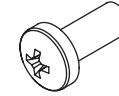
Drawer hanging bracket (1)



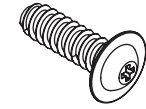
Side bracket (1)



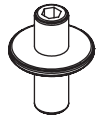
Side strap (10)



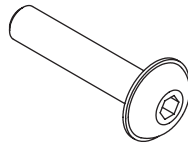
Side screw (10)



Screw washer 4 x 14 (34)



Top stud (6)



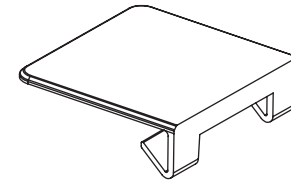
Screw handle (12)



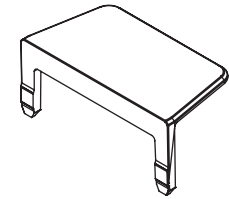
M8 washer (6)



M8 nut (6)

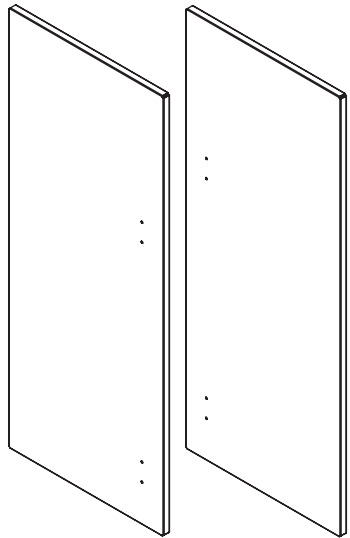


Top cover (4)



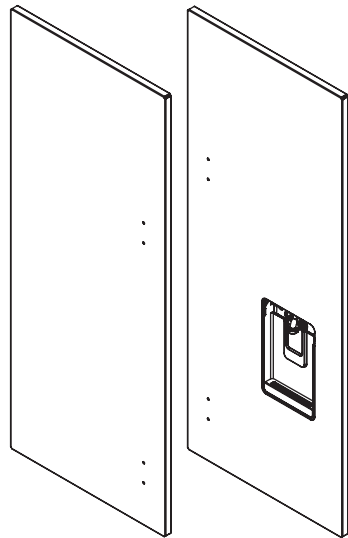
Side cover (10)

Optional accessories kit - The standard appliance does not include door panels. Standard Fisher & Paykel kits are available (EZKleen stainless steel door panels), when designing custom door panels, these are only available for non-Ice & Water models.

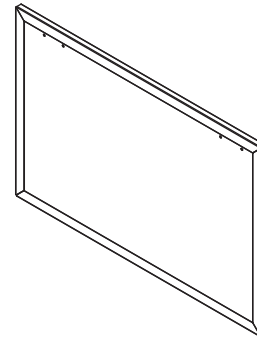


Non-Ice & Water French panel (2)
Part number: RD90

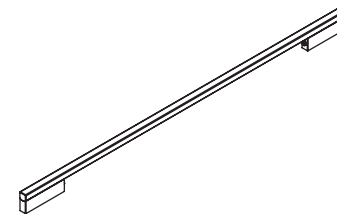
OR



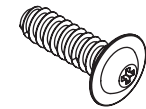
Non-Ice & Water French panel (1)
Ice & Water French panel (1)
Part number: RD90U



Drawer panel (1)



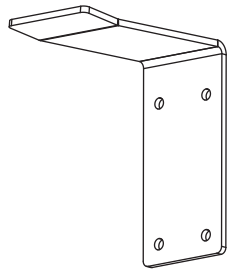
Door handle (3)



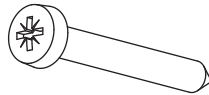
M5 x 14 Mush Phillips SS (34)

3 COMPONENTS LIST

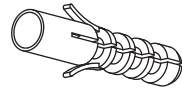
Anti-tip bracket kit – Included with standard appliance.



Anti-tip bracket
(1)

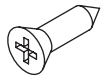


Phillips screw
(4)

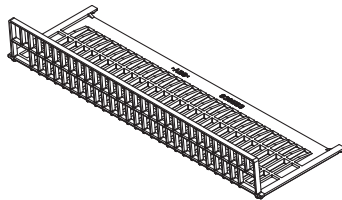


Masonry plug
(4)

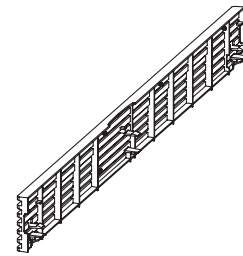
Product kit - Included with standard appliance.



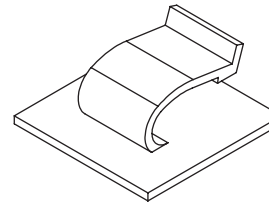
Wood screw
(2)



Kickstrip filter
(1)



Kickstrip grille
(1)

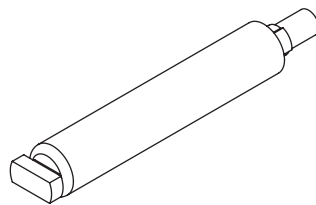


Power cord clip
(1)

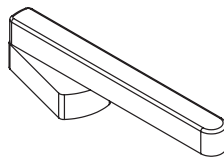
Ice & Water kit – Included with standard Ice & Water models only.



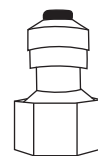
Collet locking key
(1)



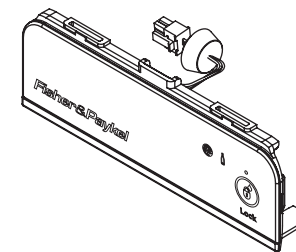
Water filter cartridge (1)
Part number: 839041



Filter cartridge tool
(1)

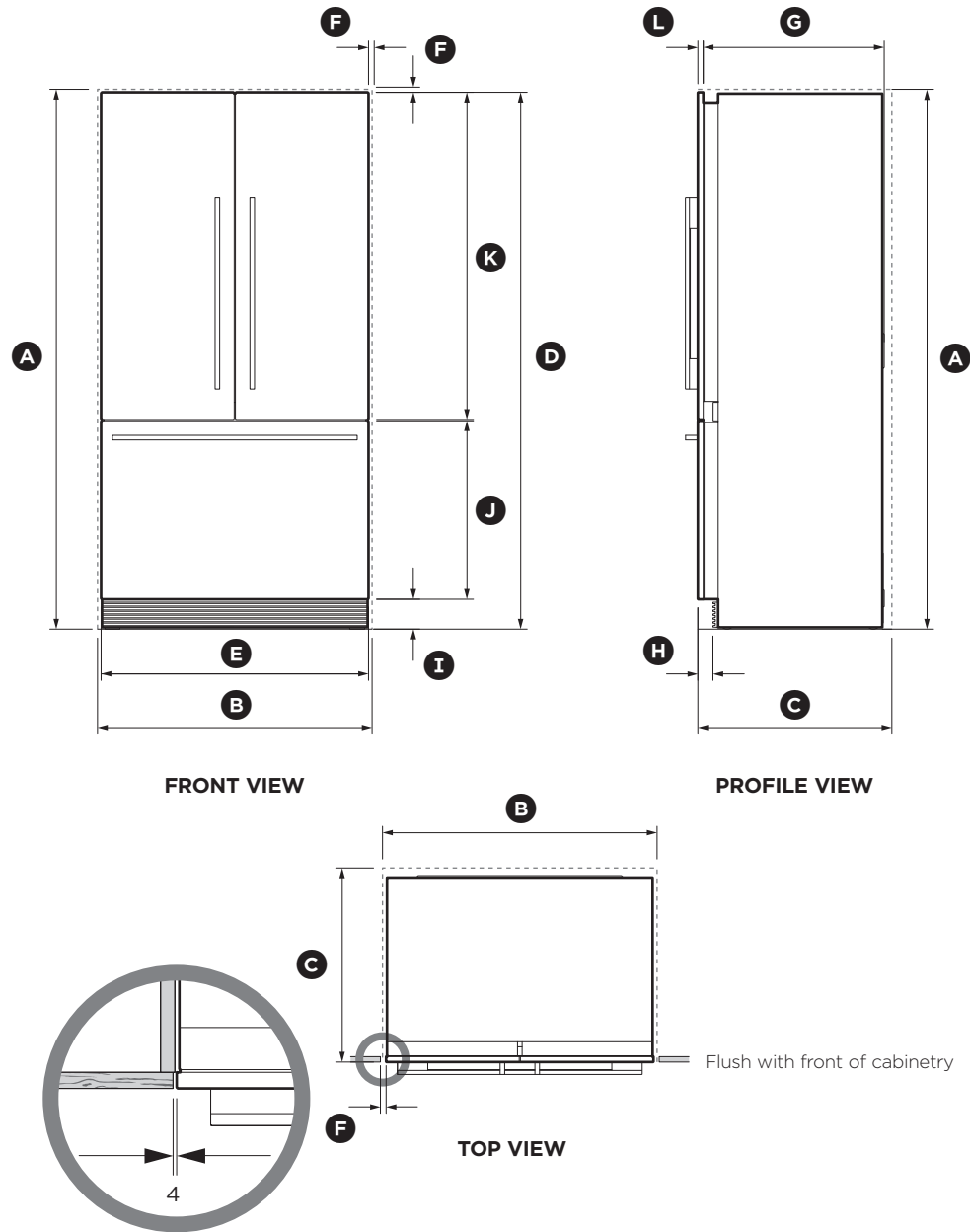


Adaptor tap
1/4" OD x 1/2" BSP thread
(1)



External display module
(1)

④ PRODUCT AND CAVITY DIMENSIONS WITH STANDARD DOOR PANELS



Note: shown with Standard Fisher & Paykel door panels (EZKleen stainless steel) attached to fridge.

4 RS90A model shown with RD90 door panels.

		RS90A RS90AU
CAVITY DIMENSIONS		mm
Ⓐ	Overall height of cavity	1800
Ⓑ	Overall width of cavity when adjoining cabinetry can share 4 mm door gap when adjoining cabinetry cannot share 4 mm door gap	900 904
Ⓒ	Overall depth of cavity	650

Total front panel width with required gaps at sides = 904 mm (Ⓔ product width + 2 x Ⓕ cabinetry gaps).

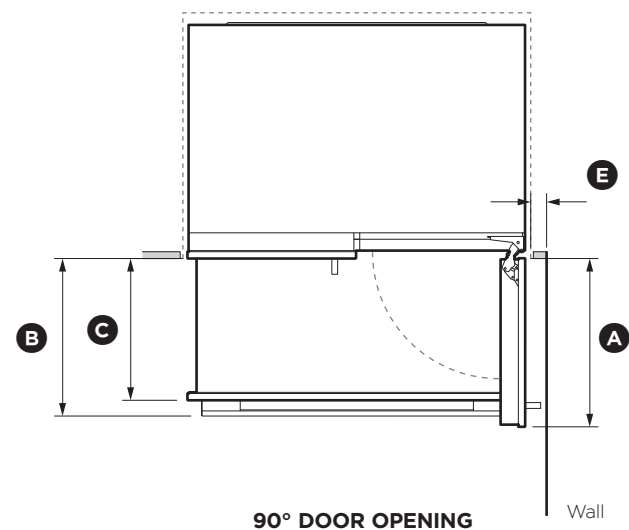
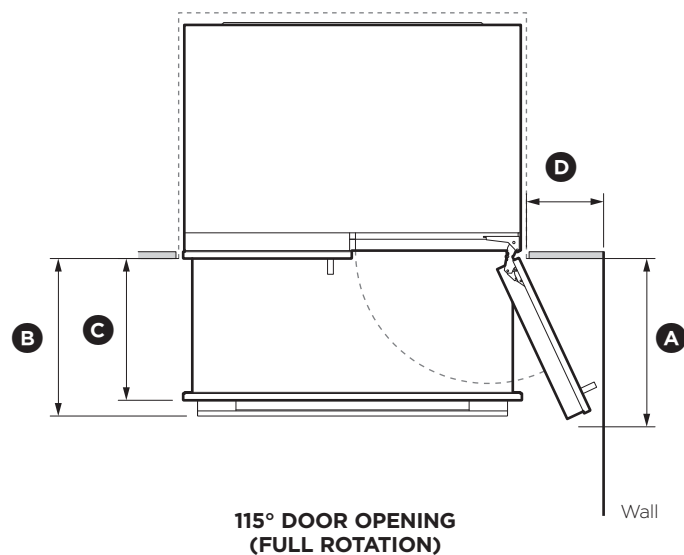
For flush cabinet situation where the gap cannot be shared between the fridge and adjoining cabinet, make the cavity width 904 mm and open totally within itself.

Total front panel height with required gap above = 1802 mm

		RS90A RS90AU
PRODUCT DIMENSIONS		mm
Ⓓ	Overall height of product*	1798
Ⓔ	Overall width of product	896
Ⓕ	Minimum cabinetry gap clearance from edge of product	4
Ⓖ	Overall depth of product (excluding front door panels)	606
Ⓗ	Depth of toe-kick (measured from front of door panels)	50
Ⓘ	Height of grill/toekick*	100
Ⓙ	Height of bottom drawer panel	598
Ⓚ	Height of top door panels	1096
Ⓛ	Depth of product front panels (excludes handles)	18

* Includes mounted feet

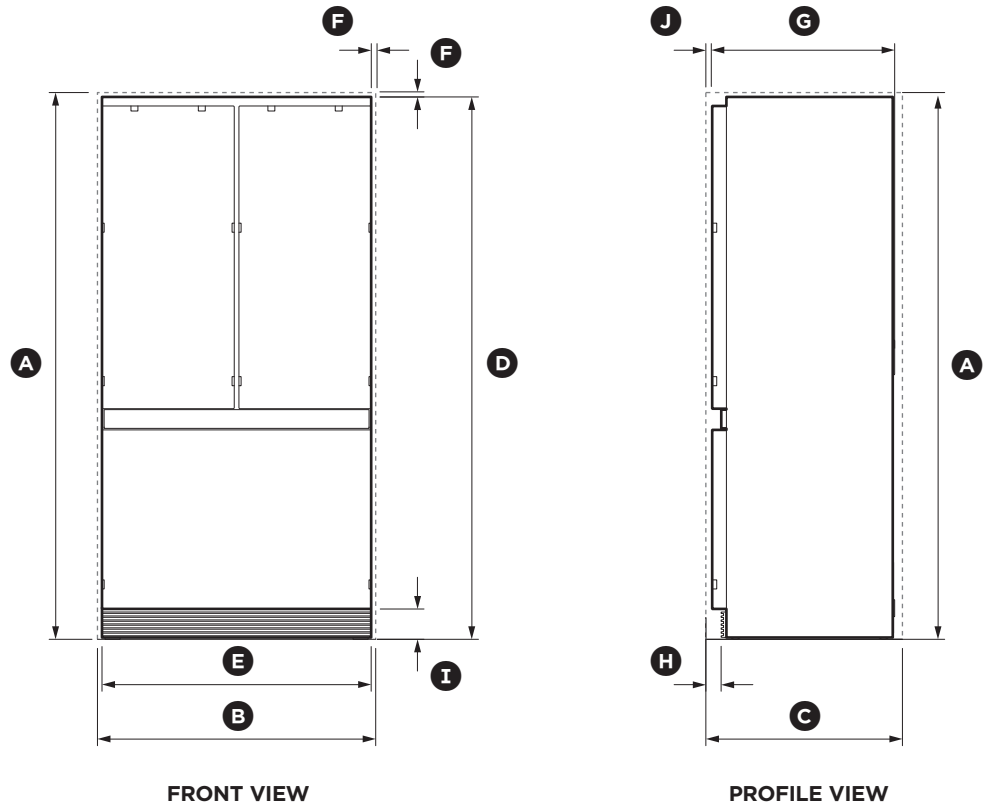
④ **PRODUCT AND CAVITY DIMENSIONS WITH STANDARD DOOR PANELS**



DOOR CLEARANCE DIMENSIONS	RS90A RS90AU
	mm
Ⓐ Depth of door (widest opening) measured from front of door	445
Ⓑ Depth of drawer (open) measured from front of drawer, including handle	400
Ⓒ Depth of drawer (open) measured from front of drawer, excluding handle	360
Ⓓ Minimum door clearance to adjacent wall* (115° - full internal access)	300
Ⓔ Minimum door clearance to adjacent wall* (90° - reduced internal access)	100

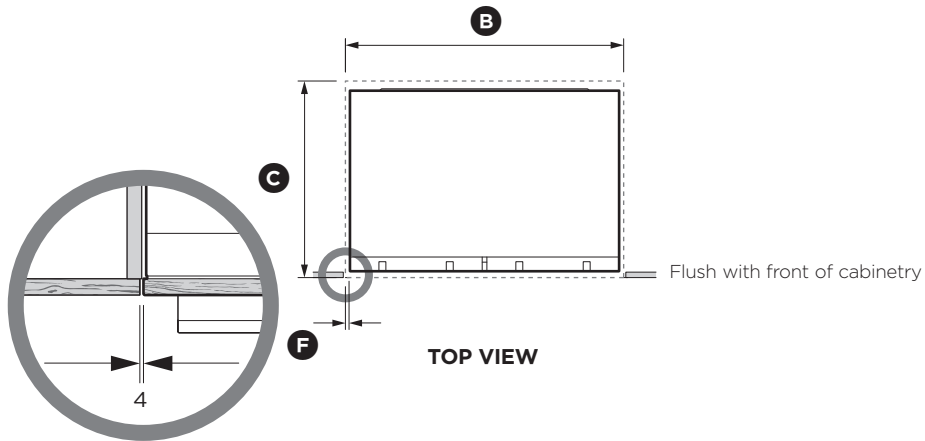
* Measured from front cabinetry edge, includes 2 mm cabinetry gap.

5 PRODUCT AND CAVITY DIMENSIONS WITHOUT DOOR PANELS



FRONT VIEW

PROFILE VIEW



TOP VIEW

Note: shown with custom door panels attached to fridge

		RS90A
CAVITY DIMENSIONS		mm
Ⓐ	Overall height of cavity	1800
Ⓑ	Overall width of cavity when adjoining cabinetry can share 4 mm door gap when adjoining cabinetry cannot share 4 mm door gap	900 904
Ⓒ	Overall depth of cavity	650

Total front panel width with required gaps at sides = 904 mm (Ⓔ product width + 2 x Ⓕ cabinetry gaps).
For flush cabinet situation where the gap cannot be shared between the fridge and adjoining cabinet, make the cavity width 904 mm and open totally within itself.

		RS90A
PRODUCT DIMENSIONS		mm
Ⓓ	Overall height of product*	1798
Ⓔ	Overall width of product	890
Ⓕ	Minimum cabinetry gap clearance from edge of custom product**	4
Ⓖ	Overall depth of product (excluding front door panels)	606
Ⓗ	Depth of toe-kick (measured from front of door panels)***	50
Ⓘ	Height of grill/toekick*	100
Ⓙ	Depth of product front panels (excludes handles)***	18

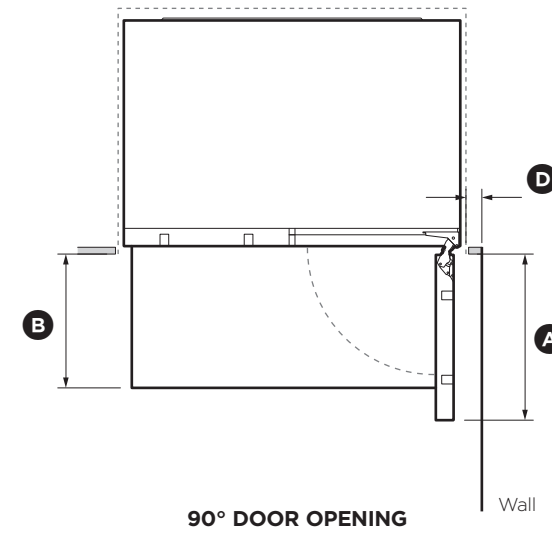
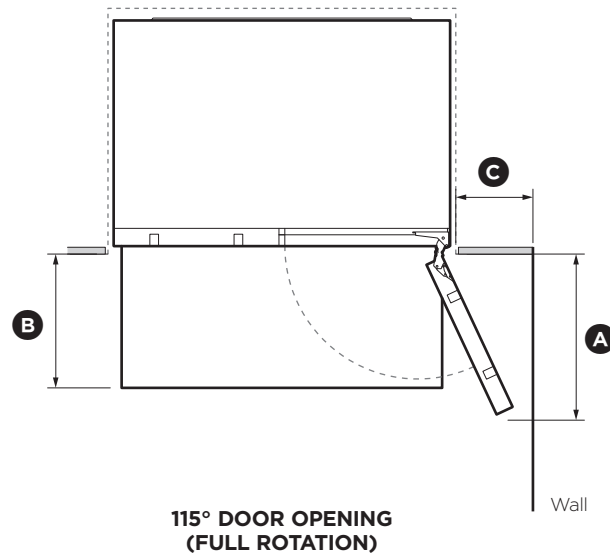
* Includes mounted feet and top brackets.

** For custom door panel dimensions refer to 'Custom door panel dimensions' page.

***Door panels to be manufactured and fitted by cabinetmaker, max. thickness 18 mm.

RS90A model shown only.
When designing custom door panels, these are only available for non-Ice & Water models.

⑤ PRODUCT AND CAVITY DIMENSIONS WITHOUT DOOR PANELS



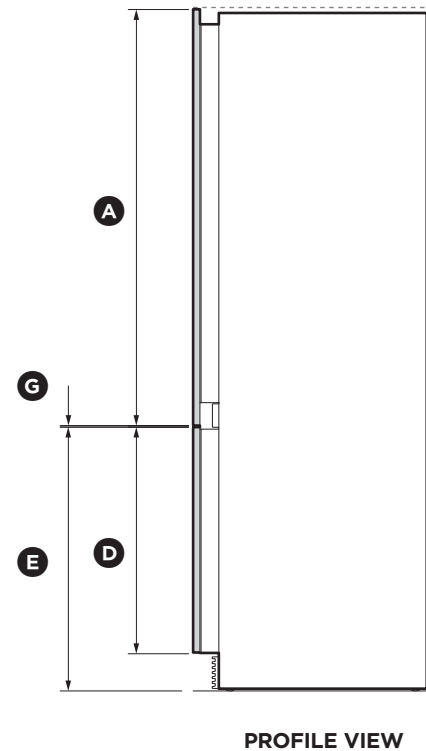
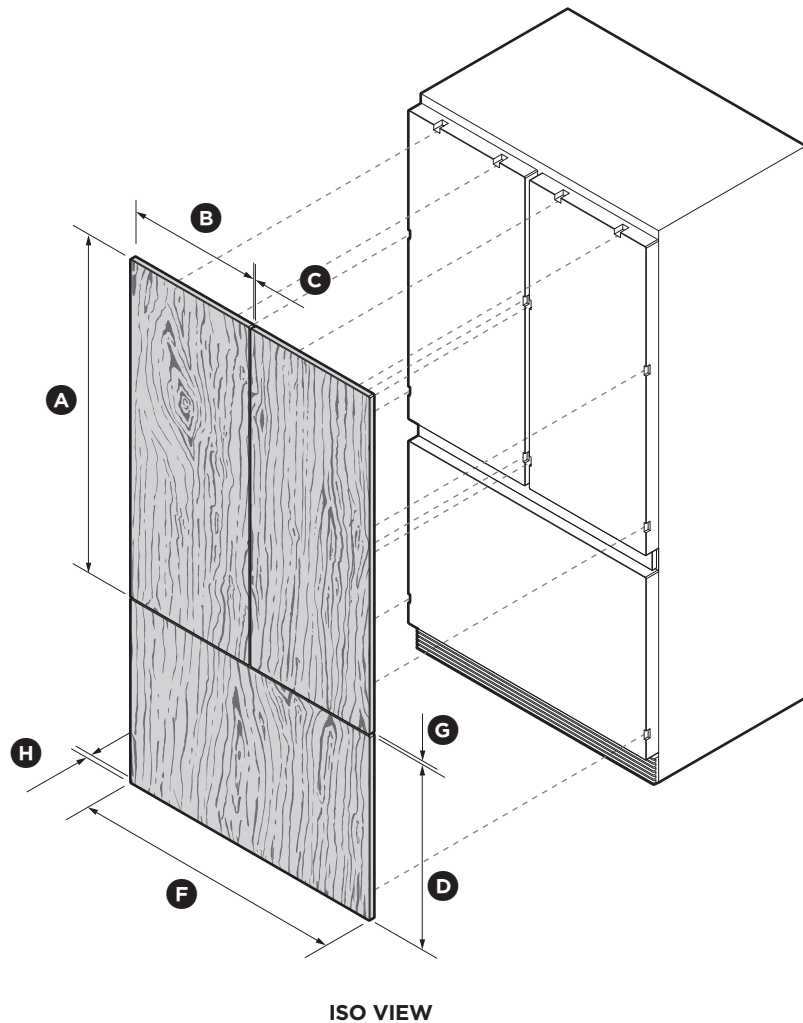
DOOR CLEARANCE DIMENSIONS	RS90A
	mm
Ⓐ Depth of door (widest opening) measured from front of cabinetry	445
Ⓑ Depth of drawer (open) measured from front of cabinetry*	338
Ⓒ Minimum door clearance** to adjacent wall (115° - full internal access)*	300
Ⓓ Minimum door clearance** to adjacent wall (90° - reduced internal access)*	100

* Does not include the custom door panels or handles to be manufactured and fitted by cabinetmaker.

** Measured from front cabinetry edge, includes 2 mm cabinetry gap.

⑥ CUSTOM DOOR PANEL DIMENSIONS

When integrating your non-Ice & Water refrigerator with custom door panels, please follow the installation instructions provided with the integrating parts.



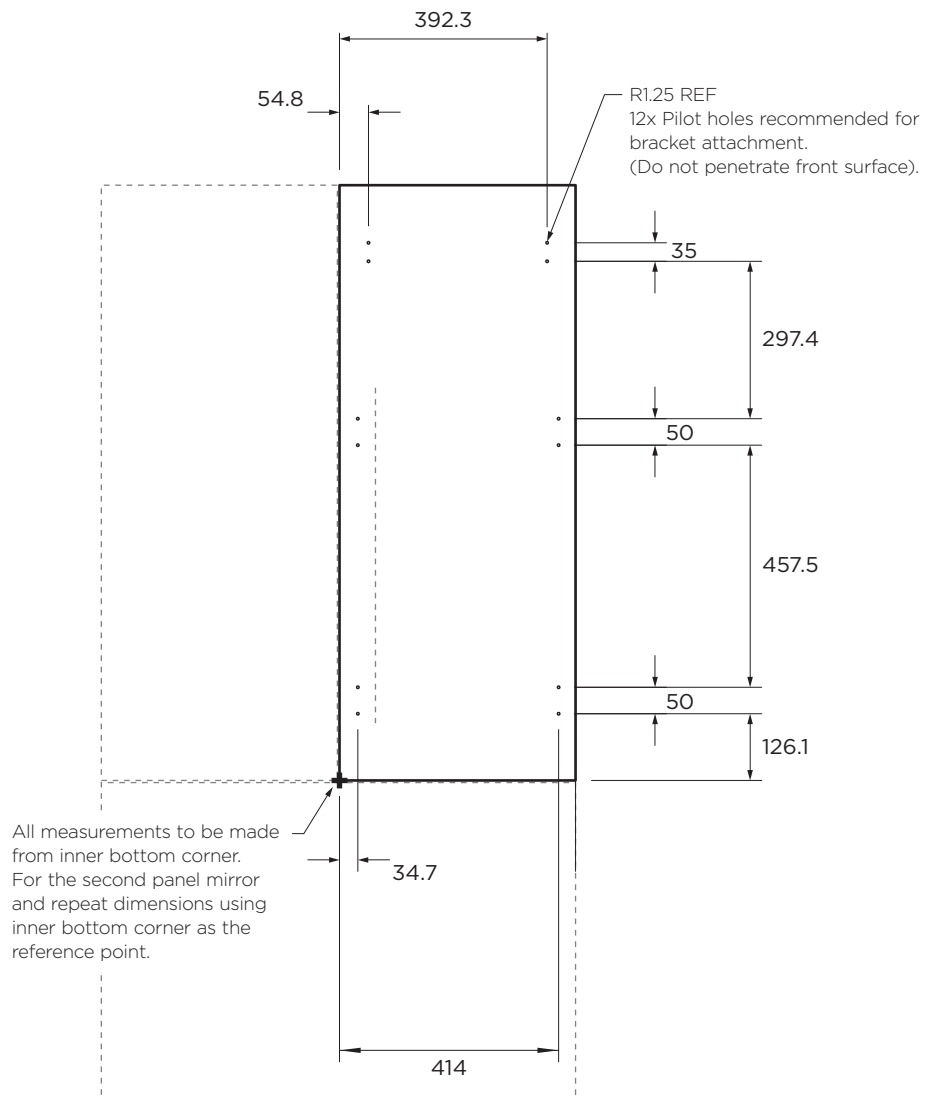
CUSTOM DOOR PANEL DIMENSIONS		RS90A
		mm
Ⓐ	Height of top door panel	1096
Ⓑ	Width of top door panel	446
Ⓒ	Gap between top door panels	4
Ⓓ	Height of bottom drawer panel	598
Ⓔ	Height from bottom of product to top of bottom drawer panel	698
Ⓕ	Width of bottom drawer panel	896
Ⓖ	Gap between top door panels and bottom drawer panel	4
Ⓗ	Maximum depth of custom panels	18
	Maximum weight of an individual top door panel	10 kg
	Maximum weight of bottom drawer panel	9.5 kg

RS90A model shown only.
When designing custom door panels, these are only available for non-Ice & Water models.

Custom door panels and handles to be manufactured and fitted by cabinetmaker.

7 CUSTOM DOOR PANEL PREPARATIONS

The following drawings apply to non-Ice & Water models only. Dimensions are shown in Metric (mm) and apply for the preparation and installation of custom door panels. For Dwg and Dxf files of the below panel preparation download the folder on <http://thekitchentools.fisherpaykel.com>

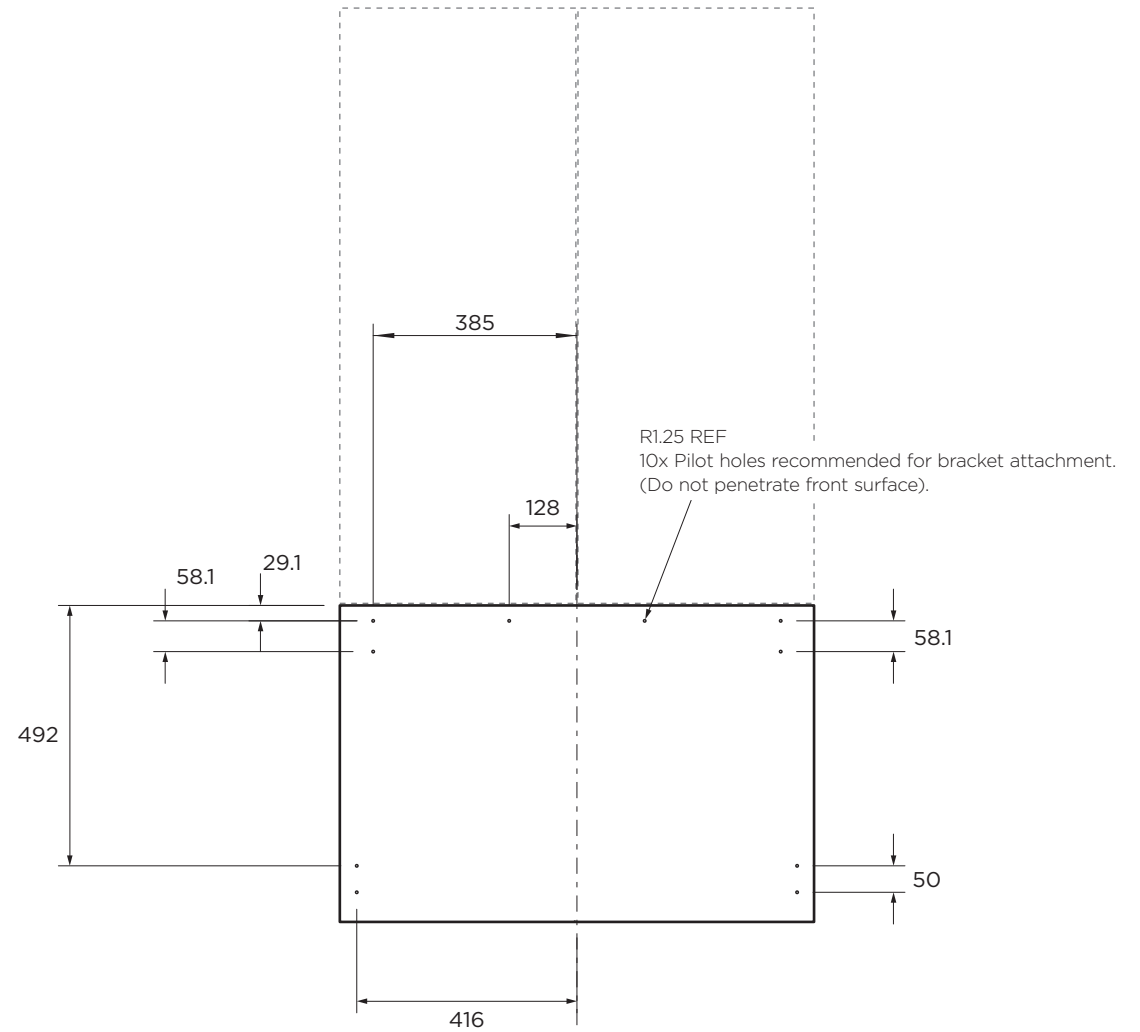


TOP PANEL - REAR VIEW

Handle Details

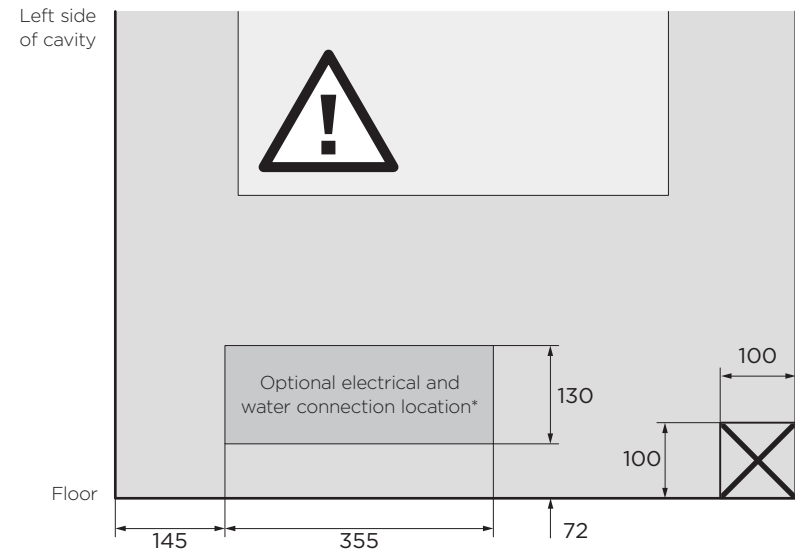
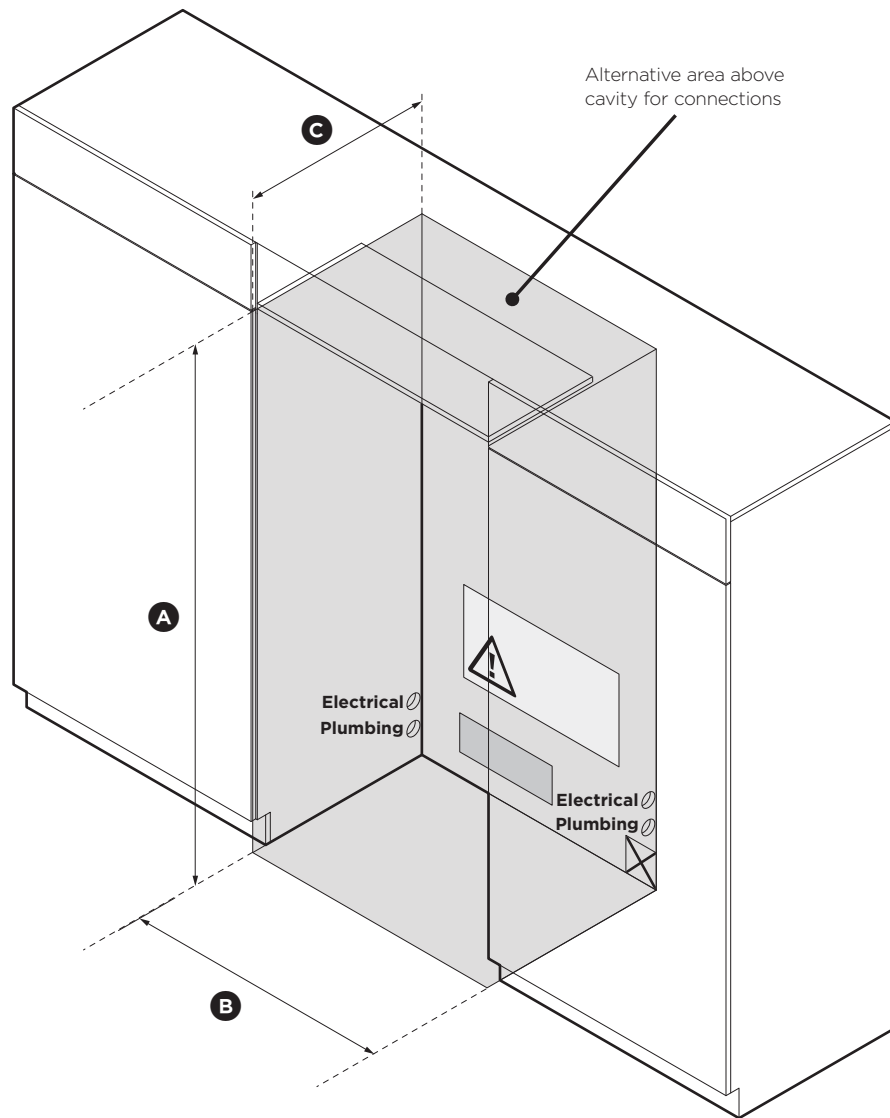
Top Panel - Ensure handle is mounted 65.03 mm from inner edge of panel to the centre - this will avoid interference with brackets.

Bottom Panel - Ensure handle screw heads are counter sunk into back of panel to avoid interfering with hanging bracket.



BOTTOM PANEL - REAR VIEW

8 CAVITY PREPARATION



REAR VIEW OF CAVITY

	RS90A	RS90AU
ELECTRICAL SPECIFICATIONS		
Supply	230 VAC, 50 Hz	230 VAC, 50 Hz
Service	10 amp circuit	10 amp circuit
PLUMBING SPECIFICATIONS		
Supply	-	½" BSP threaded water connection 6.35 mm PEX tubing
Pressure	-	Minimum 22 psi (150 kPa) Maximum 120 psi (827 kPa) @ 20°C

Note: recommended that the electrical & water connection be located in an adjacent cabinet to either side of the fridge or above the fridge cavity.

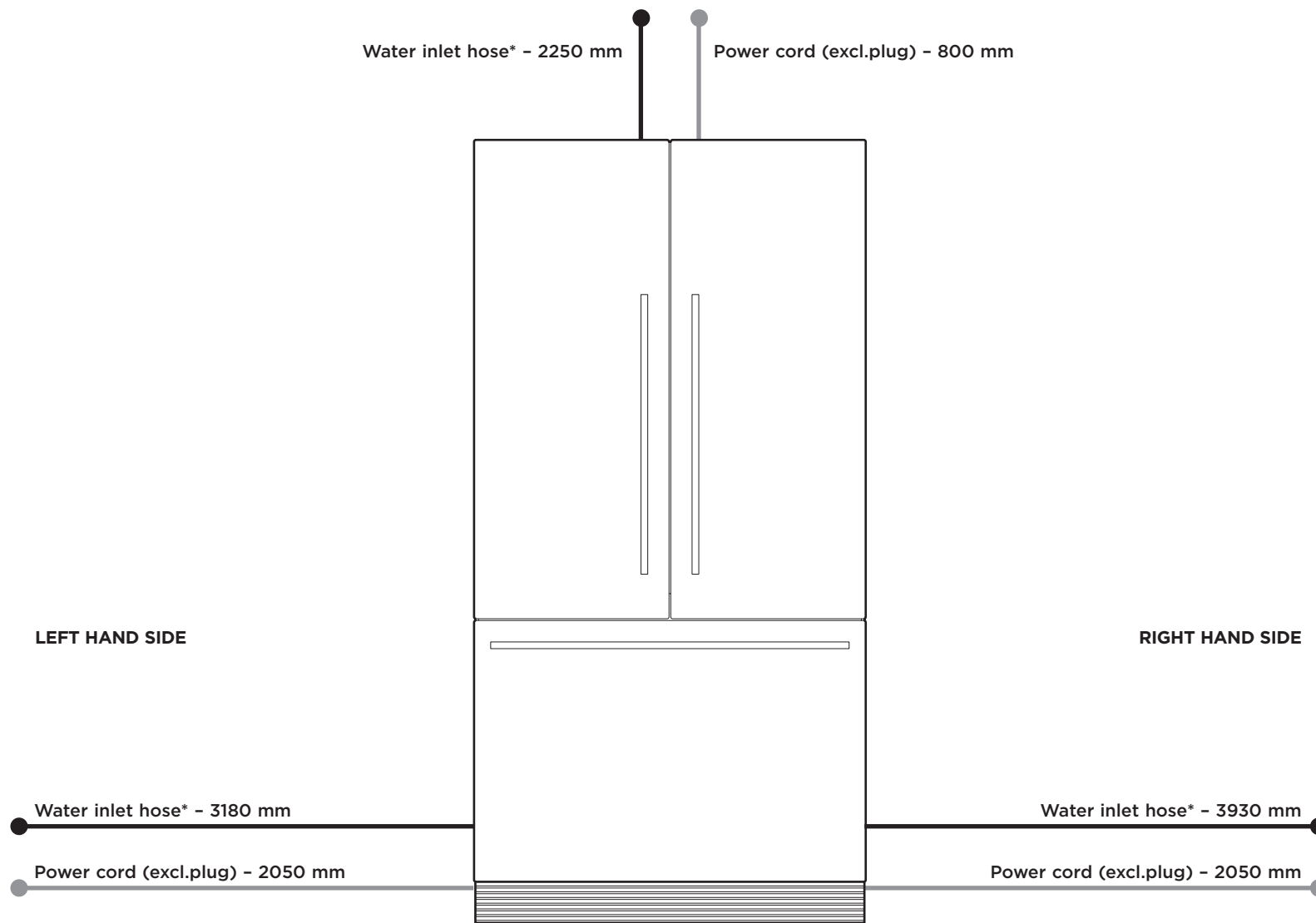
✗ Do not locate water or electricity in this area, keep clear of connections.

⚠ CAUTION: central area can only fit water outlet and electrical plug if they are placed within a recessed cavity.

* In this location the water tap needs to be recessed into the wall, the recess must allow for an 80 mm bend radius for the water tube.

CAVITY DIMENSIONS	RS90A RS90AU
	mm
Ⓐ Overall height of cavity	1800
Ⓑ Overall width of cavity	900
Ⓒ Overall depth of cavity	650

9 MAXIMUM DISTANCE OF HOSES AND CORD



* Applies to Ice & Water models with Fisher & Paykel door panels only.

10 ANTI-TIP BRACKET INSTALLATION

Safety requires refrigerators be stable when doors and/or drawer, are open. Depending on your installation enclosure, an anti-tip bracket may need to be fitted if the ceiling/cabinetry above the enclosure is not secured to the wall (to withstand a 100 kg load). This will prevent the possibility of the appliance tipping forward, when doors and/or drawer, are open.

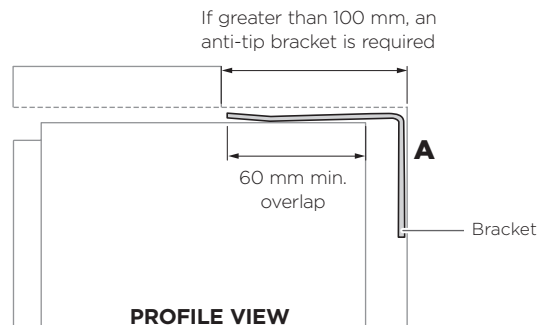
IMPORTANT!

When fastening with masonry plugs and/or screws:

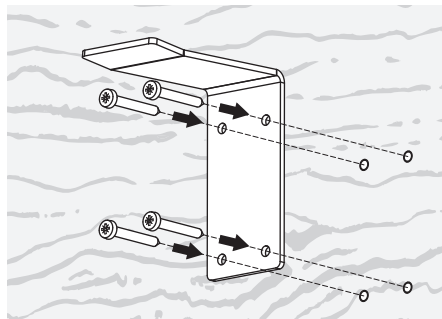
- Ensure the screws avoid electrical, gas and water conduits.
- Ensure the surface the bracket is fastened to withstand a 100 kg load.
- Ensure light-weight masonry material such as cinder block and new concrete (no curing time) are not used in installation.
- Do not use metallic materials that may corrode, stain and/or damage the enclosure.

WOODEN WALL INSTALLATION

- 1 Project the top front edge of the finished enclosure to the centre of the back wall, this will locate the top of the anti-tip bracket (refer to **A**). Ensure a structural beam/wall stud closest to the centre of the wall enclosure is located.

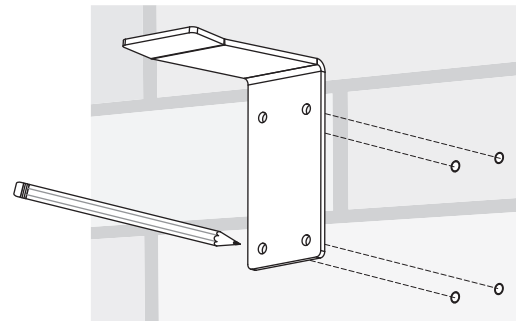


- 2 Fix bracket to the wall with Phillips screws x 4. Ensure screws hold tight and the bracket overlaps the appliance when it is positioned (60 mm min.) for a secure hold.

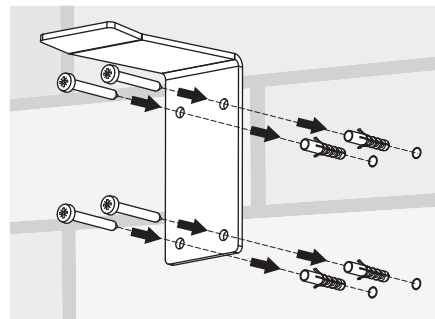


SOLID WALL INSTALLATION

- 1 Project the top front edge of the finished enclosure to the centre of the back wall, this will locate the top of the anti-tip bracket (refer to **A**).
- 2 Mark screw locations to drill Ø6.0 mm x 35 mm deep holes.



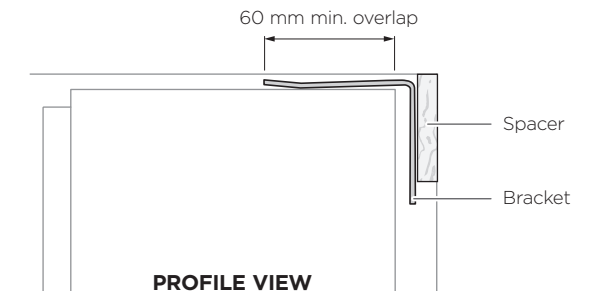
- 3 Hammer masonry plugs into the wall until flush. Fix bracket to the wall with Phillips screws x 4. Ensure screws hold tight.



SPACER INSTALLATION

If a minimum 60 mm overlap cannot be achieved we recommend fastening a solid spacer (wooden beam etc.) behind the bracket.

- 1 Ensure the length of the spacer corresponds to the enclosure's width. Always secure the spacer to existing studs on the enclosure wall.



- 2 Fix bracket to the spacer with Phillips screws x 4. Ensure screws hold tight and the bracket overlaps the appliance when it is positioned (60 mm min.) for a secure hold.

11 CONNECTING WATER SUPPLY (ICE & WATER MODELS ONLY)

IMPORTANT!

- The water connection to your Ice & Water refrigerator must be installed by an authorized plumber or Fisher & Paykel Authorised Repairer.
- The water connection instructions below are intended only for the professional installer.
- Use only the new tubings supplied with the refrigerator. Old tubings should not be used.
- DO NOT use with water that is microbiologically unsafe or of unknown quality without adequate disinfection before or after the system.
- WARNING – connect to potable water supply only.
- DO NOT install on line pressure above 120 psi (827 kPa) or below 22 psi (150 kPa).
- DO NOT use on hot water supply (100°F [38°C max.]).
- AVOID contamination of pipes during installation.

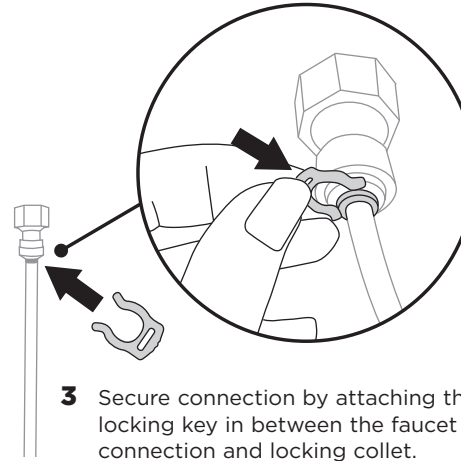
- 1** Ensure the refrigerator is NOT plugged into a power supply.

Locate isolation tap for water connection – cold water supply only. Tee and tap fitting not supplied.

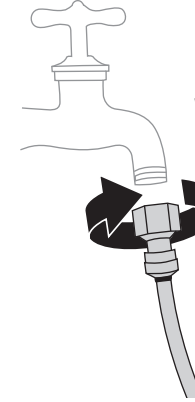


- 2** Uncoil the tubing from the back of the product. Firmly insert tubing to faucet connection. The tube should push in at least 16 mm before reaching the stop.

Pull gently on tubing to ensure it is locked in.



- 3** Secure connection by attaching the locking key in between the faucet connection and locking collet.



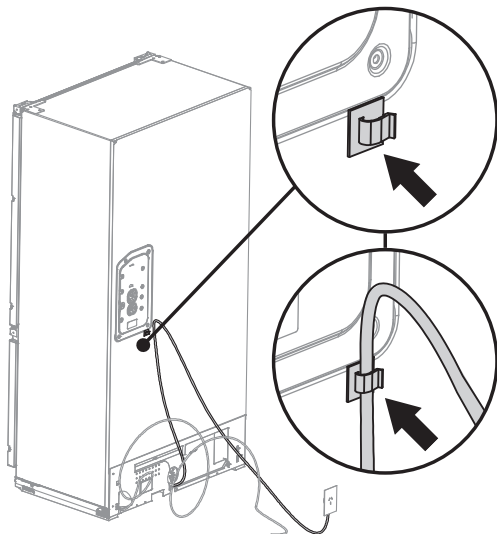
- 4** Fasten the faucet connection to the cold water supply tap. Take care not to over-tighten the tap connection.

Note: the faucet connection supplied should fit most installation situations.

Turn isolating tap on and check that all connections are dry and free of drips.

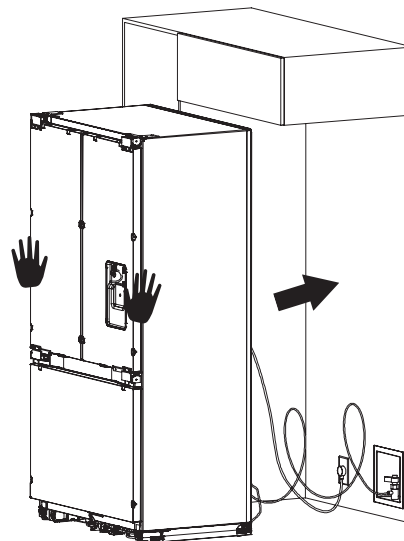
12 INSTALLING YOUR APPLIANCE

- Your product is fitted with front and rear rollers designed for moving the product in the forwards and backwards direction.
- Avoid moving the product in a sideways direction as this may damage the rollers or the floor covering/surface.



- 1** Adhere power cord clip to the appliance rear. Connect the appliance to a power supply and turn on.

- 2** Ensure excess power cord length is secured onto the clip.

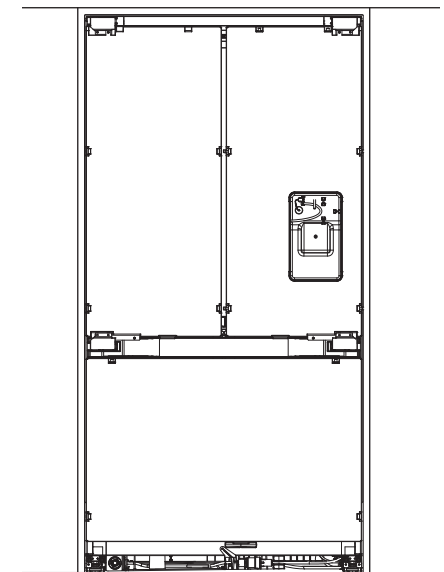


- 3** Gently push the appliance into the enclosure. Take care not to roll over or damage power cord and/or water tubing.

IMPORTANT!

Ensure water tubing is routed away from any sharp objects, sharp corners (beware of kinking the tube as this will stop water flow), and not in a location where it can be kinked or squashed.

- 4** Ensure a firm contact is observed as the appliance engages the anti-tip bracket (60 mm min. overlap).

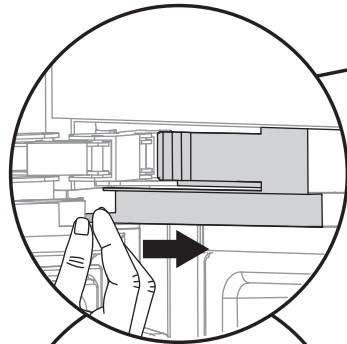


- 5** Centre the appliance within the alcove, using the adjacent walls as a guide.

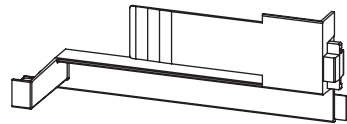
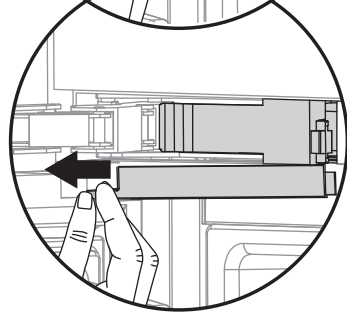
13 REMOVING HINGE END CAPS

1 Carefully open the French doors and remove hinge end caps.

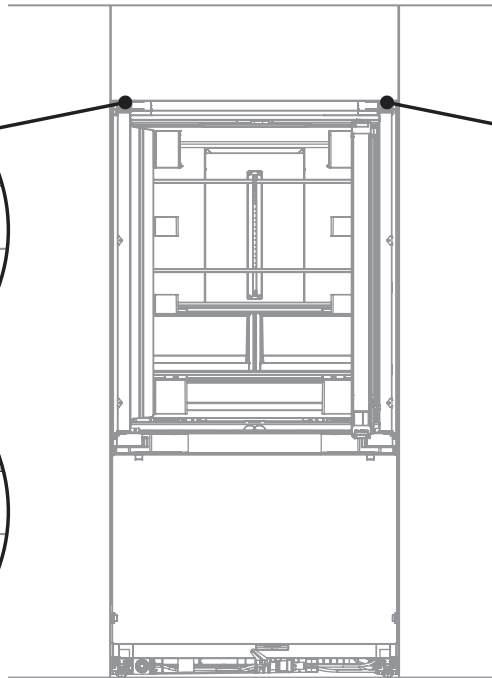
2 Left hinge end cap
Hold onto the corner of the end cap, firmly push to the right to disengage securing hook and pull down.



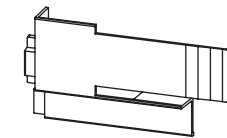
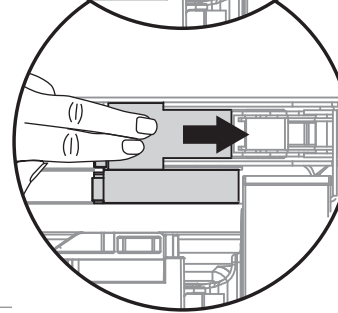
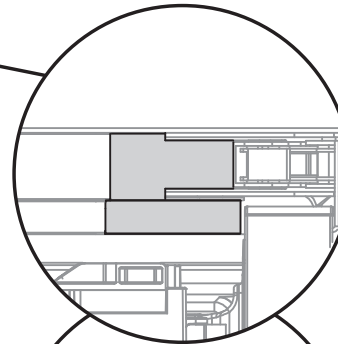
3 Pull cap gently towards the left hinge to remove.



Reserve end hinge cap for later installation



4 Right hinge end cap
Press on the centre of the end cap and push towards the right hinge to remove.



Reserve end hinge cap for later installation.

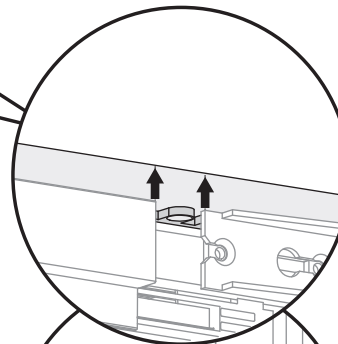
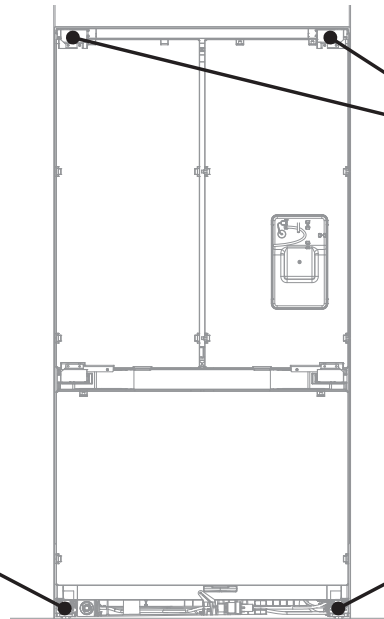
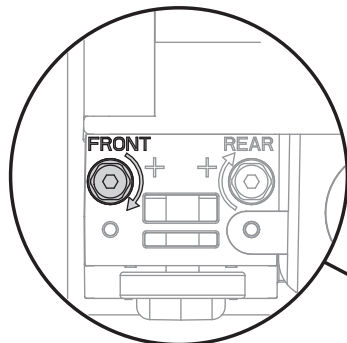
14 LEVELLING YOUR APPLIANCE

- It is important that all four corners of the product is supported firmly onto the floor to eliminate any movement.
- Installing the appliance on a soft or uneven/unlevelled floor may result in twisting of the product and poor door sealing.
- Raise the product using an 11 mm hex socket or 4 mm hex Allen key. One turn of height adjusting nuts is equivalent to 1 mm height travel. Note: maximum torque travel 20 mm.

1 Raise the front of the product until the fixing brackets contact the ceiling of the enclosure (refer to **B**).

Turn clockwise to raise roller or counter-clockwise to lower roller.

Repeat on opposite side.



2 Raise the rear of the product until the refrigerator doors are flush with the front face of adjacent walls.

Turn clockwise to raise roller or counter-clockwise to lower roller.

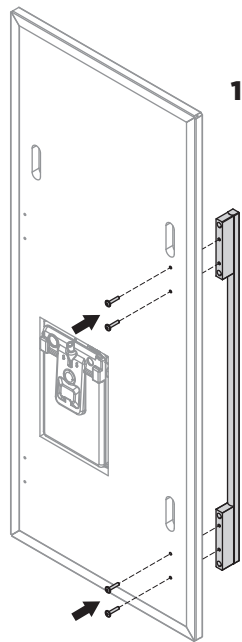
Repeat on the opposite side.

Gently push the front of the product to check the stability and to ensure side gaps are even with enclosure.

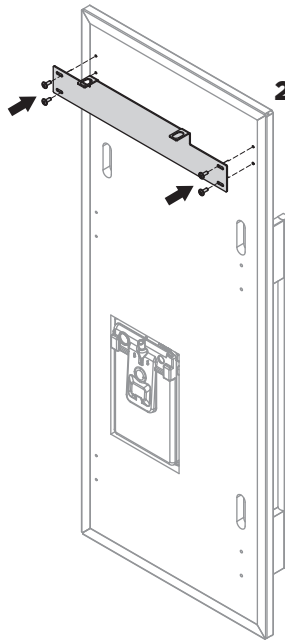
15 ASSEMBLING ALL DOOR PANELS

- Ensure door panel dimensions are correct for your appliance.
- The assembly of standard Fisher & Paykel kits (EZKleen stainless steel door panels) and custom door panels are outlined below. For standard Fisher & Paykel kits, only remove the protective film for handle installation. This will protect the finish of the door panels until installation is complete.

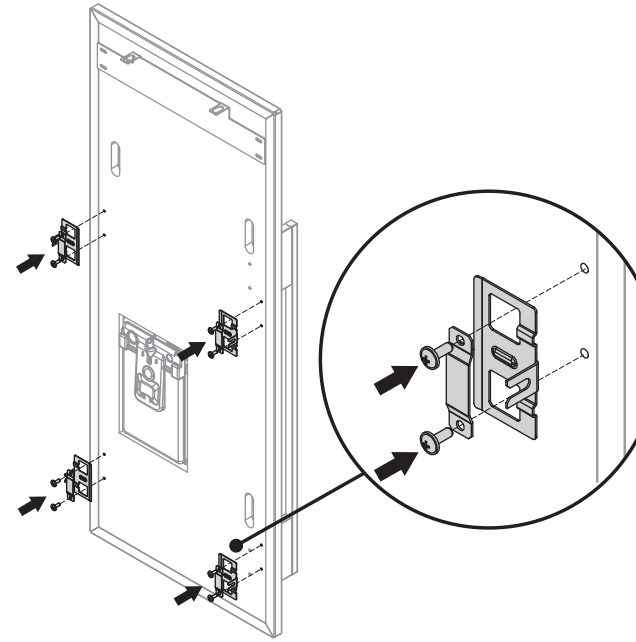
French door panel



- 1 Mounting handle**
For Fisher & Paykel kits, remove plastic plugs from handle pilot holes on panel x4. Align handle to holes and secure with screw handle x4
- For custom panels, ensure handle is mounted 65.03 mm from inner edge of panel to the centre - this will avoid interference with brackets.

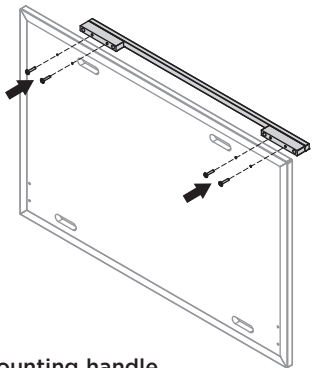


- 2 Hanging bracket**
For Fisher & Paykel kits, align bracket to pilot holes and secure with M5 x 14 Mush Phillips SS x4.
- For custom panels, secure bracket with screw washer x4.

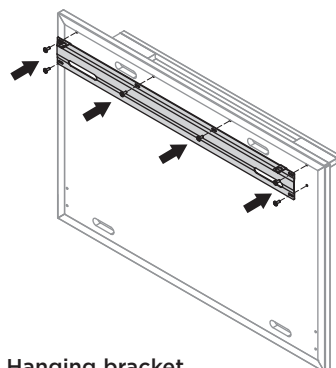


- 3 Side brackets and straps**
For Fisher & Paykel kits, align bracket and strap to pilot holes on the sides of the panel. Secure with M5 x 14 Mush Phillips SS x2.
- For custom panels, secure bracket with screw washer x2.
- Repeat this process for the remaining brackets and straps x4 French door panel.
- Repeat this process for the next French door panel.

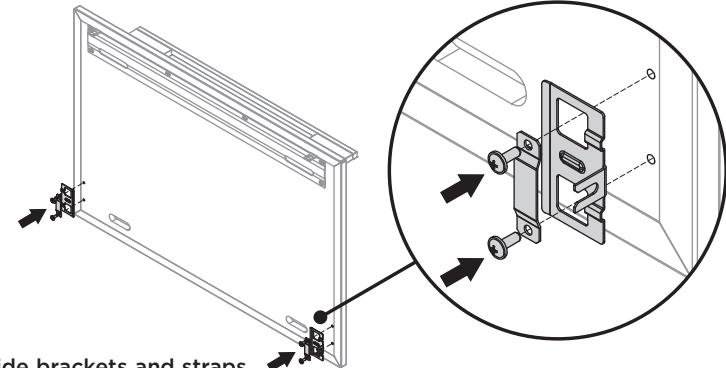
Drawer panel



- 4 Mounting handle**
For Fisher & Paykel kits, remove plastic plugs from handle pilot holes on panel x4. Align handle to holes and secure with screw handle x4
- For custom panels, ensure handle screw heads are counter sunk into back of panel to avoid interfering with hanging bracket.

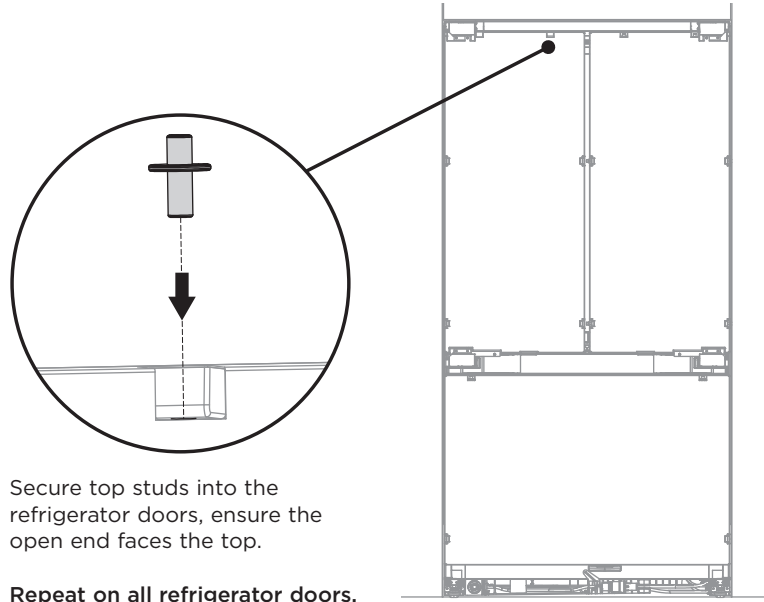


- 5 Hanging bracket**
For Fisher & Paykel kits, align bracket to pilot holes and secure with M5 x 14 Mush Phillips SS x6.
- For custom panels, secure bracket with screw washer x6.



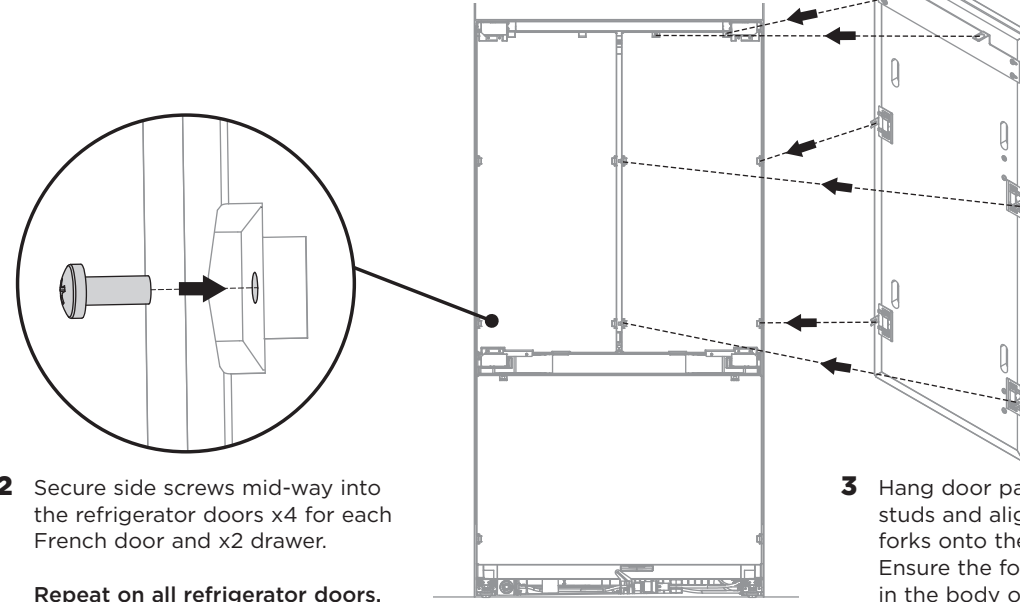
- 6 Side brackets and straps**
For Fisher & Paykel kits, align bracket and strap to pilot holes on the sides of the panel. Secure with M5 x 14 Mush Phillips SS x2.
- For custom panels, secure bracket with screw washer x2.
Repeat this process for the remaining brackets and straps.

16 HANGING DOOR PANELS



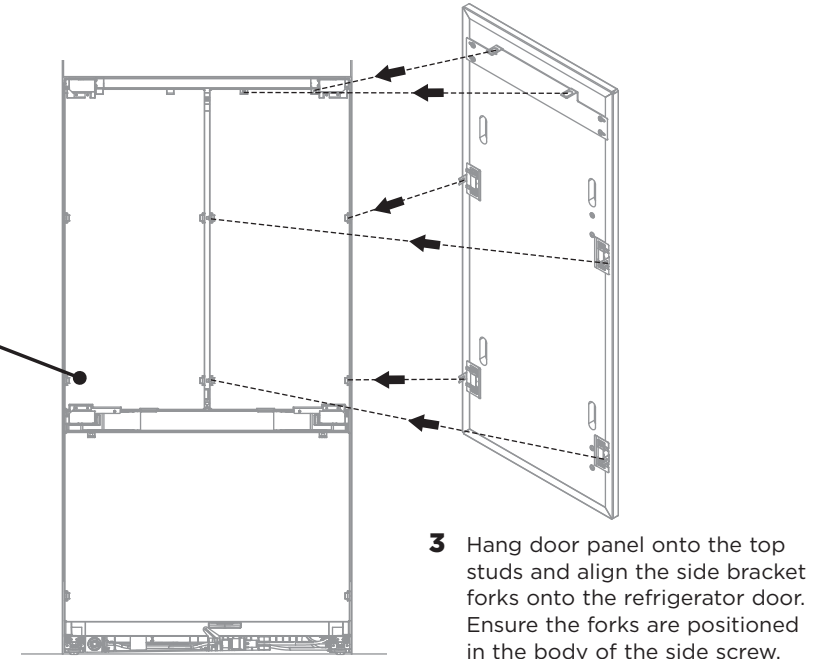
1 Secure top studs into the refrigerator doors, ensure the open end faces the top.

Repeat on all refrigerator doors.

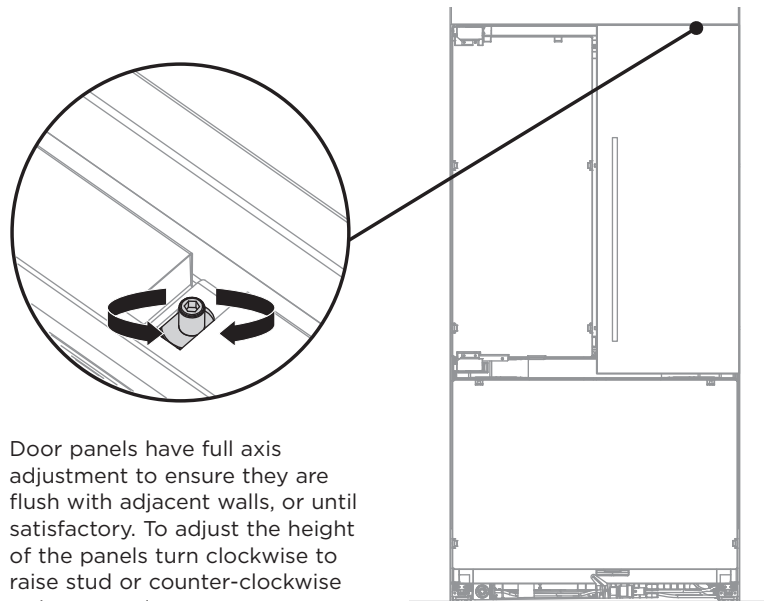


2 Secure side screws mid-way into the refrigerator doors x4 for each French door and x2 drawer.

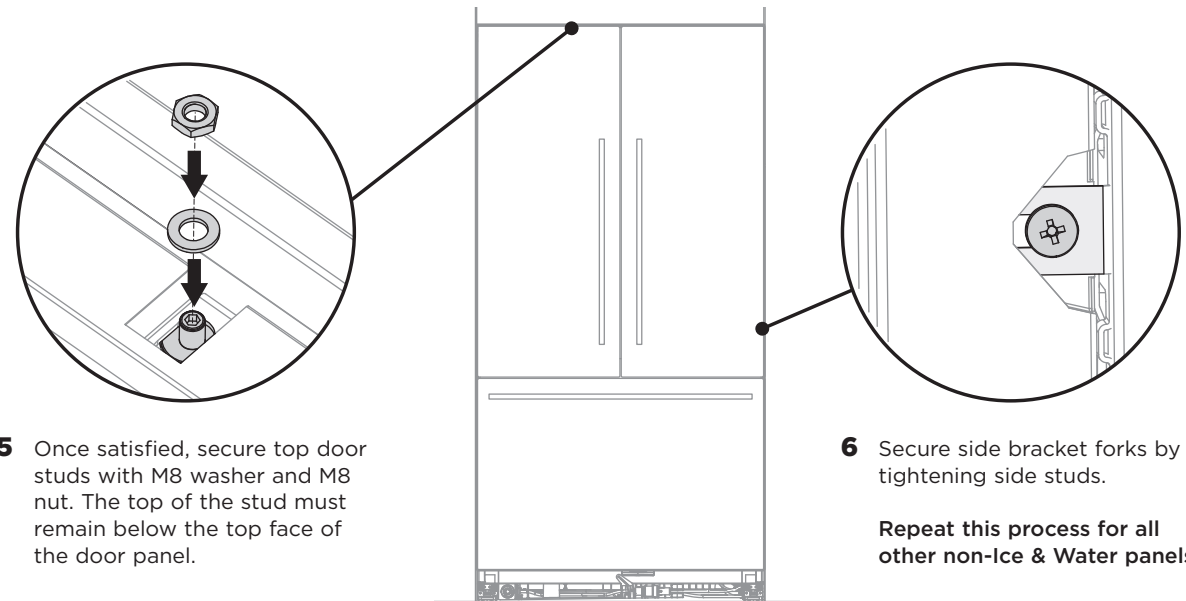
Repeat on all refrigerator doors.



3 Hang door panel onto the top studs and align the side bracket forks onto the refrigerator door. Ensure the forks are positioned in the body of the side screw.



4 Door panels have full axis adjustment to ensure they are flush with adjacent walls, or until satisfactory. To adjust the height of the panels turn clockwise to raise stud or counter-clockwise to lower stud.



5 Once satisfied, secure top door studs with M8 washer and M8 nut. The top of the stud must remain below the top face of the door panel.

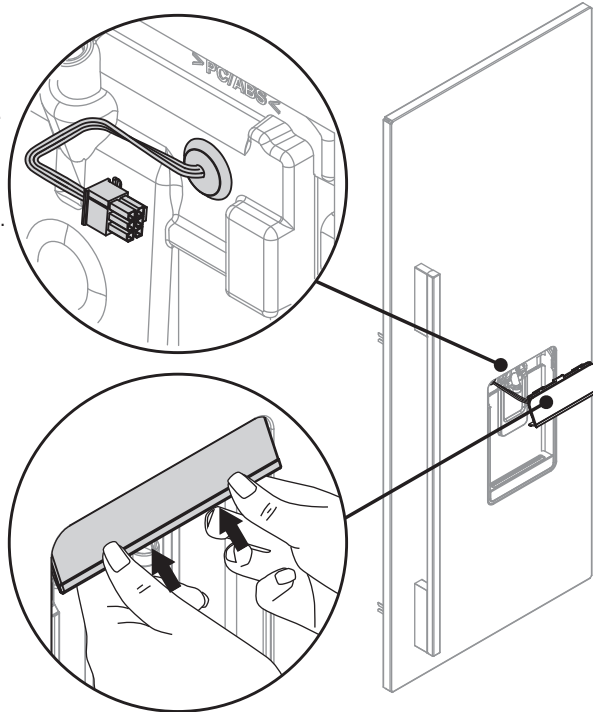
6 Secure side bracket forks by tightening side studs.

Repeat this process for all other non-Ice & Water panels.

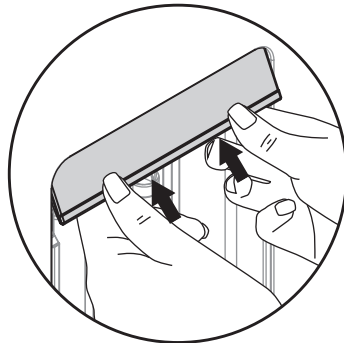
17 HANGING DOOR PANELS (ICE & WATER MODELS ONLY)

- 1** Remove the external display module from inside the product.

Thread the display harness through the door panel cavity. Ensure the grommet is engaged.

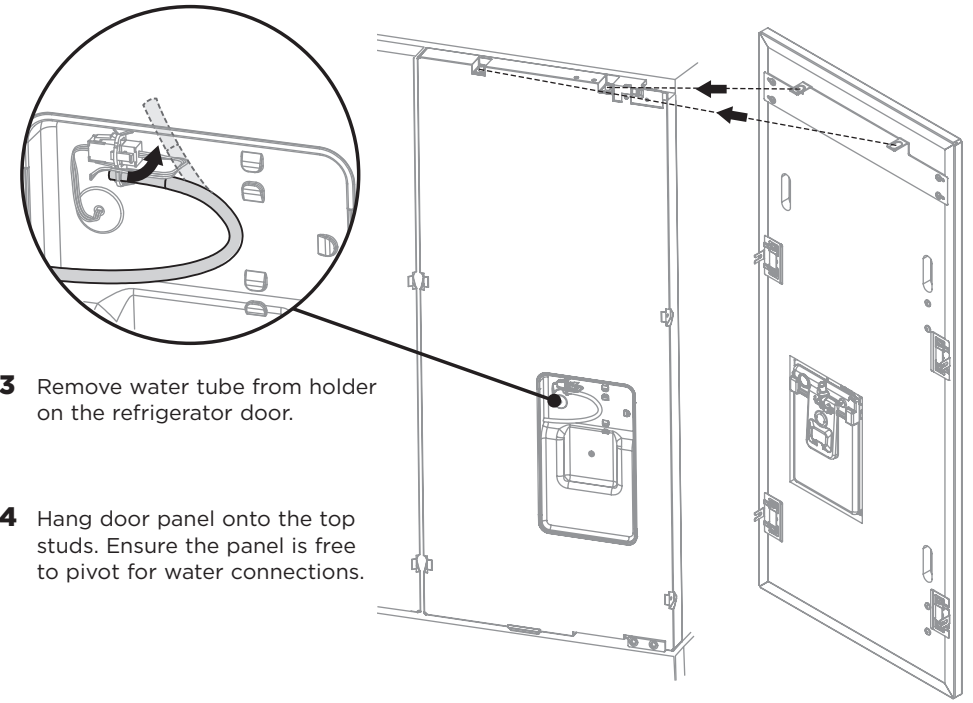


- 2** Angle top display tabs into the door panel. Ensure the harness is free of pinching. Firmly push against bottom display tabs and insert into the door panel until you feel it clip securely. Ensure the display is flush with the door panel.

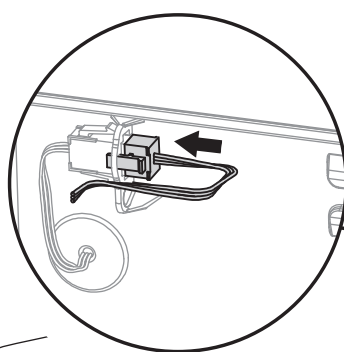


- 3** Remove water tube from holder on the refrigerator door.

- 4** Hang door panel onto the top studs. Ensure the panel is free to pivot for water connections.

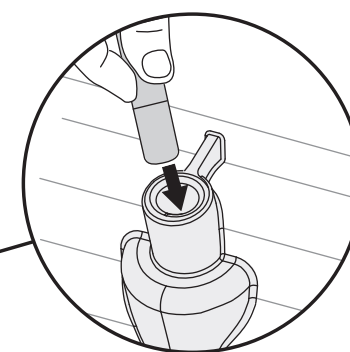



- 5** Connect display harness onto the refrigerator door by inserting firmly until you feel it clip securely.

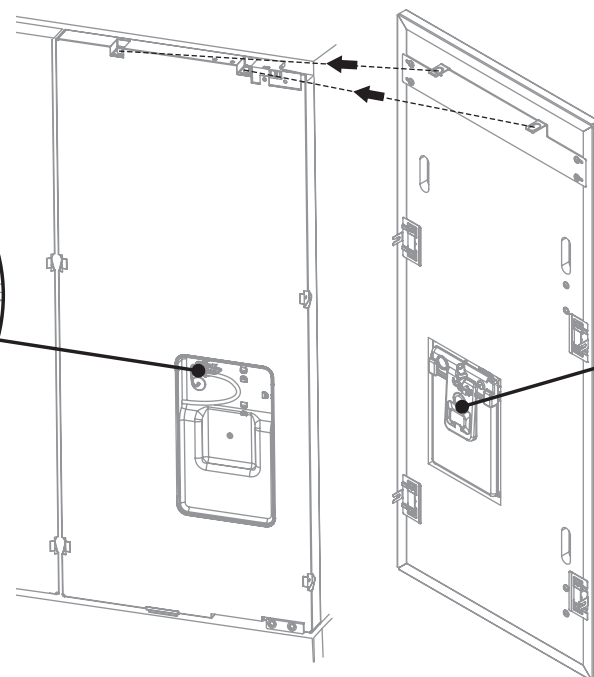
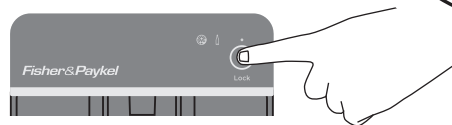


- 7** Firmly push the water tube into the spigot behind the door panel until the marked line is not visible.

Ensure water tube is routed away from any sharp objects, sharp corners (beware of kinking the tube as this will stop water flow), and not in a location where it can be kinked or squashed when door panel is secured.

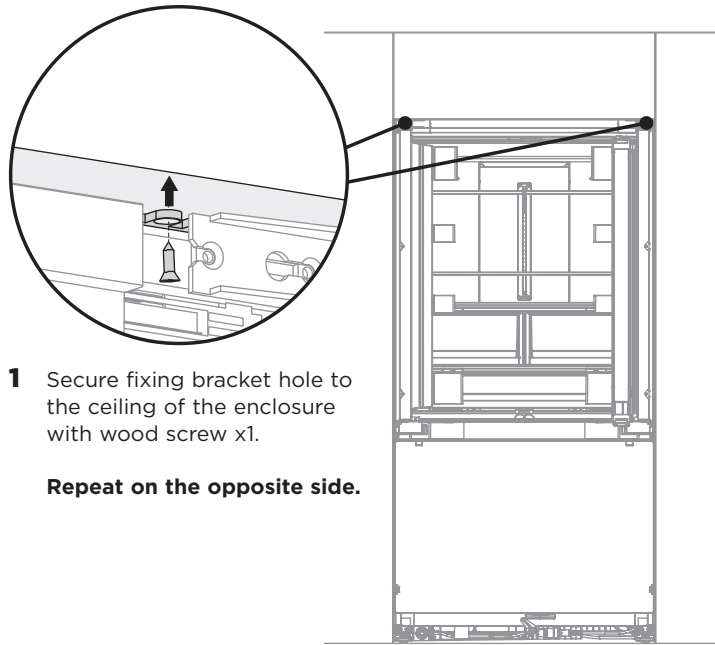


- 6** Enable the dispenser lock to prevent any water from dispensing during water connection. To lock, press the  button for 4 seconds. The LED above the button will illuminate.



Secure door panel following the instructions on the previous page.

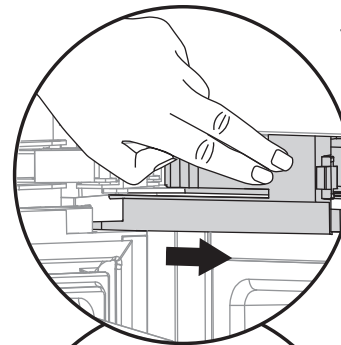
18 **FIXING BRACKETS AND REPLACING END HINGE CAPS**



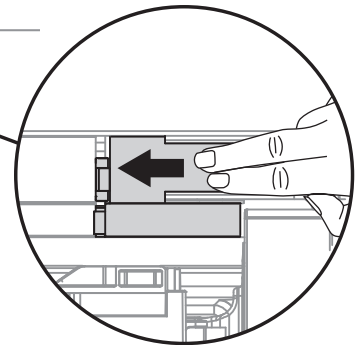
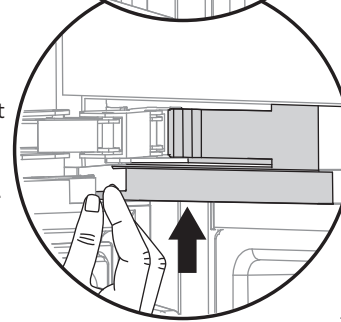
1 Secure fixing bracket hole to the ceiling of the enclosure with wood screw x1.

Repeat on the opposite side.

2 Left hinge end cap
Align hinge cap to the product. Press and firmly slide the cap to the right.



3 Hold onto the corner of the end cap, firmly push up and to the left to engage securing hook. Ensure cap is flush with the product.

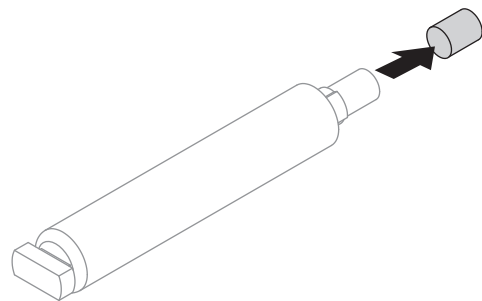


4 Right hinge end cap
Align hinge cap to product. Press and firmly slide the cap to the left. Ensure cap is flush with the product

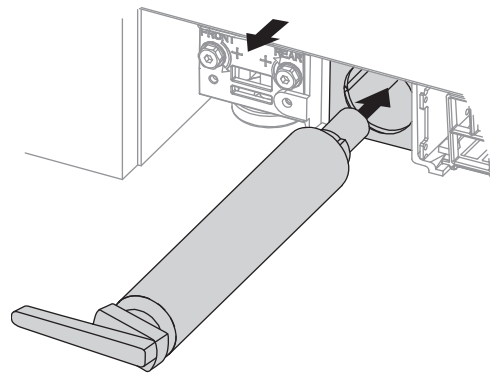
19 **INSTALLING WATER FILTER CARTRIDGE (ICE & WATER MODELS ONLY)**

IMPORTANT!

The water filter head must be firmly pushed into the product and secured, incorrect installation can lead to water leaks.

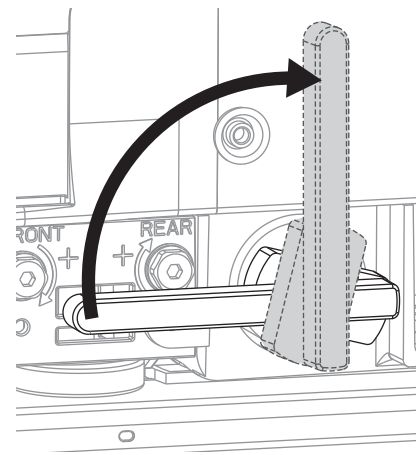


1 Remove the red protective cap on the spigot head.

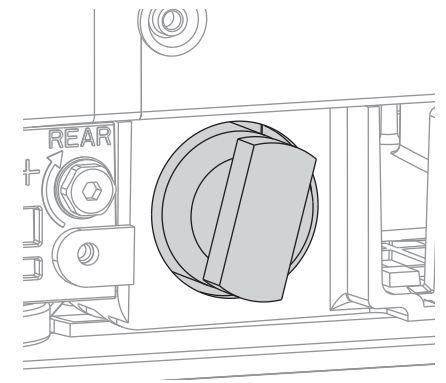


2 Pull freezer drawer slightly open to fit filter cartridge tool.

Align the filter cartridge tool over the filter. Insert the filter cartridge and tool into the bottom left of the product, firmly push the cartridge in until the filter head cannot be pushed any further.

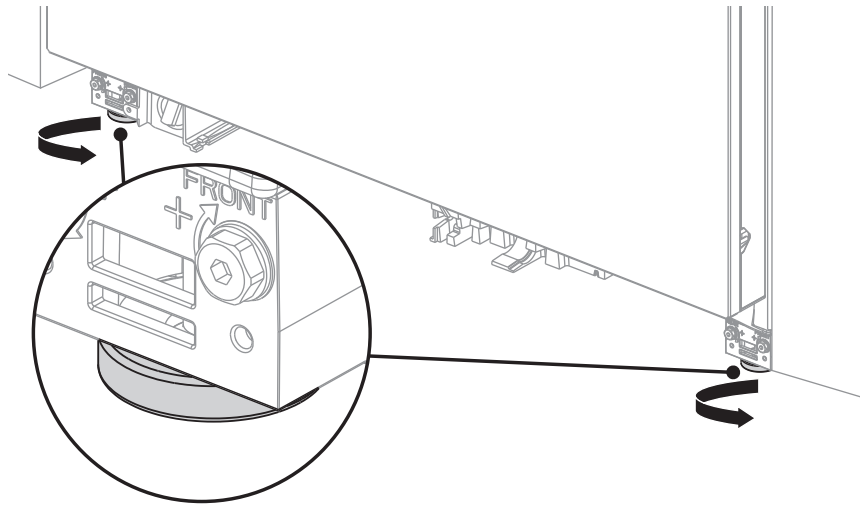


3 Turn 90° clockwise to tighten. Remove filter cartridge tool and close freezer drawer.



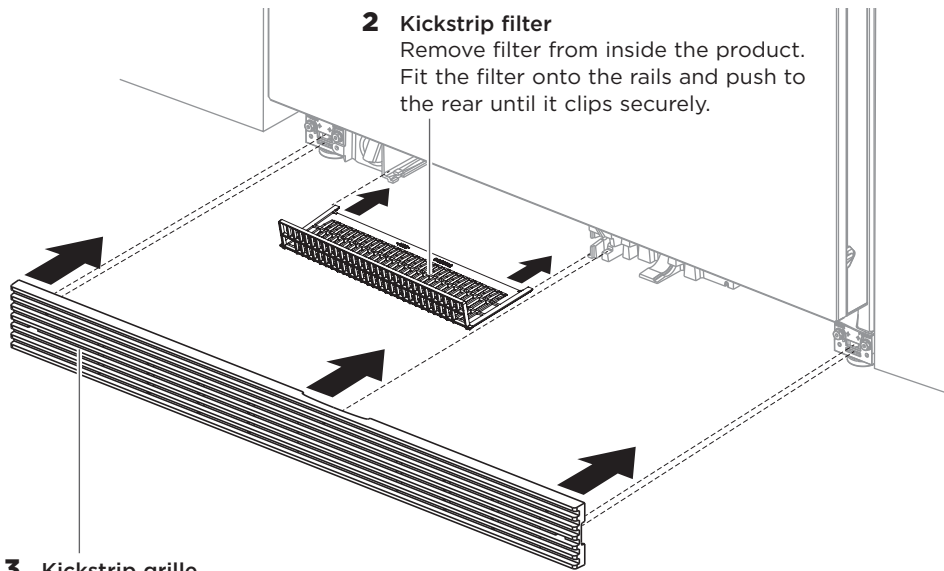
4 Filter cartridge shown in the locked position.

20 FRONT FEET, FITTING KICKSTRIPS AND COVERS



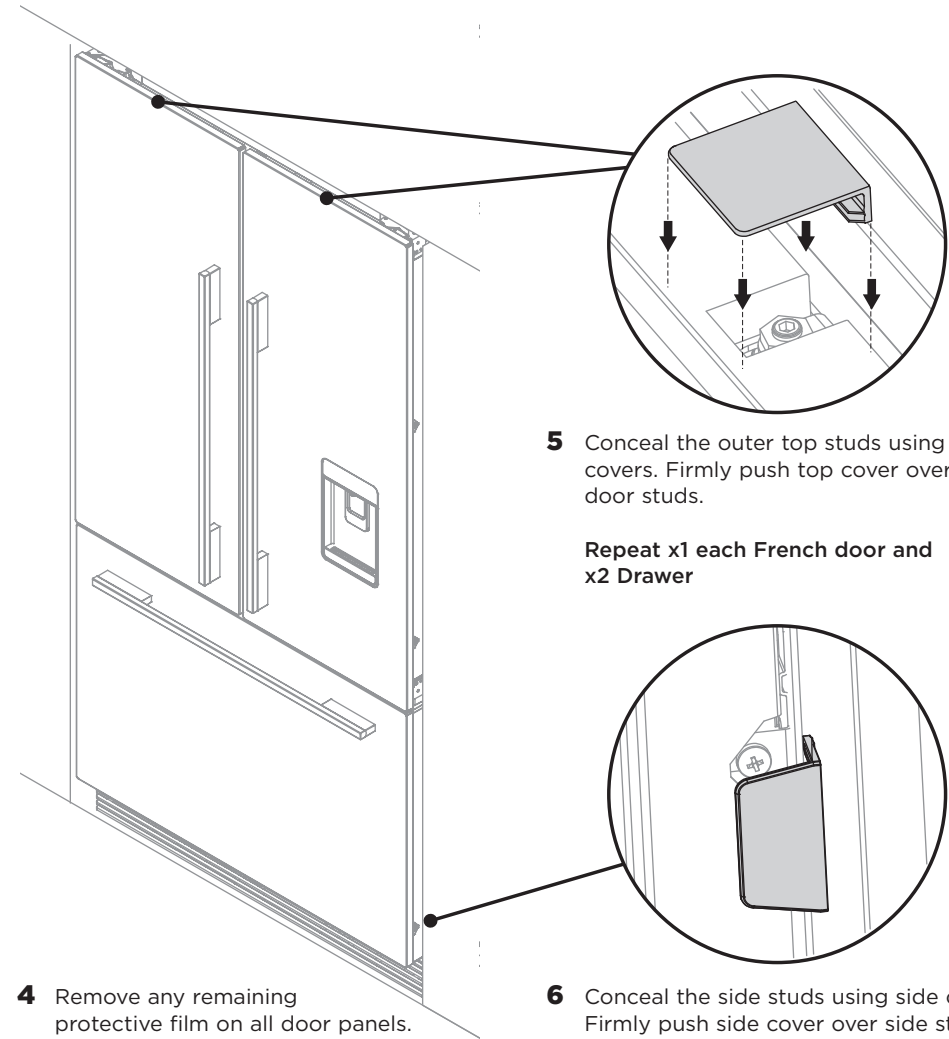
- 1** To stabilise the product, lower the front feet. Turn clockwise to lower feet.

Repeat on the opposite side.



- 2 Kickstrip filter**
Remove filter from inside the product. Fit the filter onto the rails and push to the rear until it clips securely.

- 3 Kickstrip grille**
Align grille onto securing hooks. Push grille firmly onto product until it clips securely.



- 5** Conceal the outer top studs using top covers. Firmly push top cover over top door studs.

Repeat x1 each French door and x2 Drawer

- 4** Remove any remaining protective film on all door panels.

- 6** Conceal the side studs using side covers. Firmly push side cover over side studs.

Repeat x4 each French door and x2 Drawer


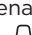
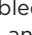
21 FINAL CHECKLIST

✓ TO BE COMPLETED BY THE INSTALLER

All models

- Check all parts are installed.
- Ensure the product is level, securely fastened to the cabinetry with the anti-tip bracket provided.
- Ensure the doors/drawer can open and close freely with no resistance from the cabinetry.
- Ensure all internal and external packaging is removed from the product.

Ice & Water models only

- Ensure change filter icon is enabled. This will remind you when the filter next needs replacing. Press and hold ,  and  for 4 seconds on the internal control panel.
- Ensure the water filtration system has been flushed.

To flush the water filtration system


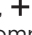
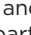

When using your water dispenser for the first time, run the dispenser pad until water dispenses, this will displace trapped air in the water tank and filter system. Rest the dispenser pad for 2 minutes.

Dispense and discard 4 litres of water, then rest the dispenser pad for a further 2 minutes, repeat process.

Failure to do this will result in excessive dripping from your water dispenser.

IMPORTANT!

DO NOT continuously dispense water for longer than 2 minutes at a time.

- Ensure a manual ice maker cycle has been forced. Press and hold ,  and  for 4 seconds on the internal control panel, then close the refrigerator compartment door. The ice tray will flip twice. Empty the water from the bin, then dry and replace.
- Ensure ice maker is turned on. Press  button once on the internal control panel. This light above the button will illuminate indicating ice maker is on. Please discard the first 3 harvests of ice (8 cubes per harvest).

Complete and keep for safe reference:

Model _____

Serial No. _____

Purchase Date _____

Purchaser _____

Dealer Address _____

Installer's Name _____

Installer's Signature _____

Installation Company _____

Installation Date _____



www.fisherpaykel.com

Copyright © Fisher & Paykel 2015. All rights reserved.
The product specifications in this booklet apply to the specific products and models described at the date of issue. Under our policy of continuous product improvement, these specifications may change at any time. You should therefore check with your Dealer to ensure this booklet correctly describes the product currently available.

NZ AU GB IE EU AE HK SG IN

839137 A 02.15