

INTEGRATED REFRIGERATION, 74" HIGH

PLANNING GUIDE

24" Series 9 Integrated Refrigerator Freezer | RS2474BRU1

24" Series 9 Integrated Triple Zone Refrigerator | RS2474S3RH1

24" Series 9 Integrated Triple Zone Freezer | RS2474F3LJ1

FISHER & PAYKEL

This comprehensive Planning Guide provides you with the framework and tools to achieve your desired design outcome with Fisher & Paykel appliances. In this guide, you will find a range of conceptual, detailed and dimensional product information to bring your ideas to life and create spaces that truly reflect your vision.

CONCEPT DESIGN		DEVELOPED AND DETAILED DESIGN			
	PAGE		PAGE	PAGE	
Design Choices		Data Sheets		Services	
Purchase Decision	5	Integrated Refrigerator Freezer	12	Service Area and Electrical	29
Accessories	6	Integrated Refrigerator Freezer, Custom Panel	13	Hose and Cord Length	30
		Integrated Refrigerator and Freezer	14		
Specification Guides		Integrated Refrigerator and Freezer, Custom Panel	15	Handle Data Sheets	
Integrated Refrigeration	8			Square Fine Handle Kit	32
		Custom Panels		Round Handle Kit	33
		Integrated Refrigerator Freezer	17	Classic Handle Kit	34
		Integrated Refrigerator and Freezer	18	Professional Handle Kit	35
				Square Fine Handle	36
		Planning Considerations		Round Handle	37
		Product Dimensions	20	Classic Handle	38
		Panel and Toe Kick Dimensions	21	Professional Handle	39
		Dual and Triple	22		
		Gap Clearances	23		
		Toe Kick Detail	24		
		Hinge Articulation	25		
		Door Opening Clearance	26		

SUPPORT

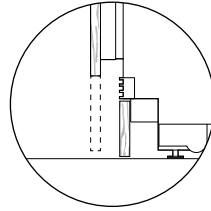
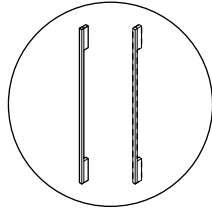
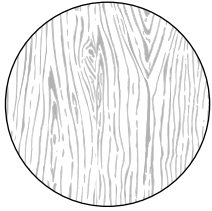
For additional design planning and installation support please contact the Fisher & Paykel design support team.

designsupport@fisherpaykel.com

The models shown in this Planning Guide may not be available in all markets and are subject to change at any time. Product specifications may vary from those shown. This Planning Guide should not be used as installation guidance for any product. Further information is required to safely and correctly install the products featured here. Specific installation guidance will be available on our website fisherpaykel.com

DESIGN CHOICES

CUSTOM PANEL OPTIONS



PANEL

Custom door panels can be adjusted in height to achieve the desired visual toe kick, and their width can also be modified to achieve smaller gap clearances.

HANDLES AND ACCESSORIES HANDLES

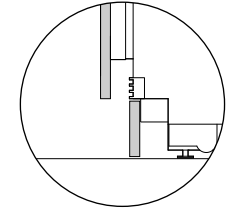
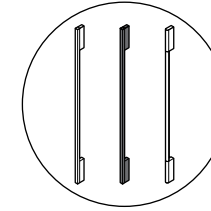
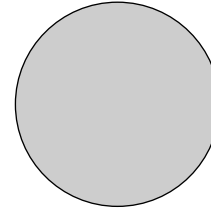
Select Fisher & Paykel handles or customize handles to match your kitchen style.

ASSISTED OPENING ACCESSORY: Pull or push-to-open functionality, .

TOE KICK

The distance from the bottom of the door panel to the floor (visual toe kick) can range from 19/32" to 5 29/32" (15mm to 150mm).

STAINLESS STEEL PANEL OPTIONS



PANEL

Set Stainless steel door panel sizes.

ACCESSORIES HANDLES

Select Fisher & Paykel handles.

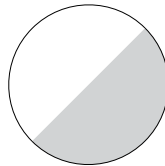
TOE KICK

The stainless steel toe kick panel stands at 3 15/16" (100mm) high and is available in different lengths for single, dual, and triple installations.

ALL MODELS

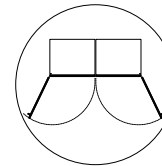
INTERIOR

White and stainless steel



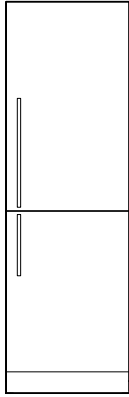
HINGING

Left or right*



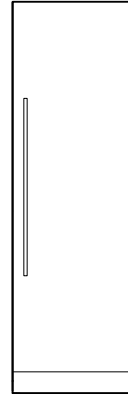
*All models come with hinge conversion kit

The models shown in this Planning Guide may not be available in all markets and are subject to change at any time. Product specifications may vary from those shown. This Planning Guide should not be used as installation guidance for any product. Further information is required to safely and correctly install the products featured here. Specific installation guidance will be available on our website fisherpaykel.com



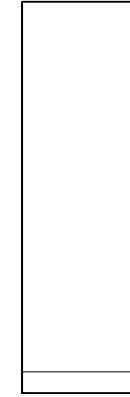
①

INTEGRATED REFRIGERATOR FREEZER, ICE & WATER



②

INTEGRATED TRIPLE ZONE REFRIGERATOR, WATER



③

INTEGRATED TRIPLE ZONE FREEZER, ICE

PRODUCT	SERIES	HINGE	MODEL
① 24" Series 9 Integrated Refrigerator Freezer	Series 9	Right*	RS2474BRU1

A slim profile, perfect for compact kitchens, or pair with other Integrated models for generous chilled and frozen storage

*Comes with hinge conversion kit.

PRODUCT	SERIES	HINGE	MODEL
② 24" Series 9 Integrated Triple Zone Refrigerator	Series 9	Right*	RS2474S3RH1

Pair with the Integrated Triple Zone Refrigerator for the ultimate kitchen solution - this model features three independent food zones taking cooling flexibility to a new level.

PRODUCT	SERIES	HINGE	MODEL
③ 24" Series 9 Integrated Triple Zone Freezer	Series 9	Left*	RS2474F3LJ1

Pair with the Integrated Triple Zone Freezer for the ultimate kitchen solution - this model features three independent food zones taking cooling flexibility to a new level.

The models shown in this Planning Guide may not be available in all markets and are subject to change at any time. Product specifications may vary from those shown. This Planning Guide should not be used as installation guidance for any product. Further information is required to safely and correctly install the products featured here. Specific installation guidance will be available on our website fisherpaykel.com

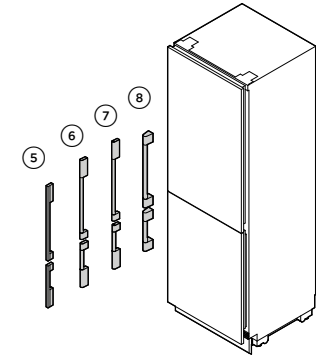
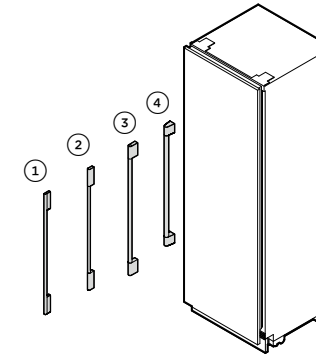
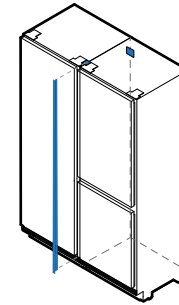
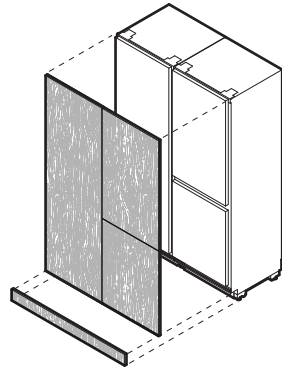
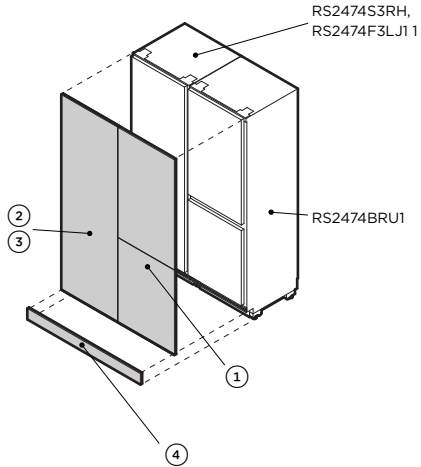
STAINLESS STEEL PANEL AND TOE KICK

CUSTOM PANEL AND TOE KICK

**JOINER KIT
(FOR MULTIPLE PRODUCT
INSTALLATION)**

SINGLE DOOR HANDLES

DOUBLE DOOR HANDLE KITS



CUSTOM DOOR PANELS

Custom door panels and toe kick to be manufactured and fitted by cabinet maker.

JOINER KIT

Each kit comes with four brackets and one trim.

SINGLE DOOR

One handle supplied in handle kit.

DOUBLE DOOR

Two handles supplied in handle kit.

PANELS

STAINLESS STEEL	LEFT HINGE	RIGHT HINGE
① Refrigerator Freezer Stainless Steel Panels*	RD2474BL	RD2474BR
② Refrigerator Stainless Steel Panel**	RD2474	RD2474
③ Freezer Stainless Steel Panel**	RD2474	RD2474

TOE KICK

STAINLESS STEEL	
④ Single toe kick	AKRS2304
④ Dual toe kick	AKRS4704
④ Triple toe kick	AKRS7104

JOINER KIT

Single Installation	No joiner kit required
Dual Installation	AJS74LR (1 kit required)
Triple Installation	AJS74LR (2 kits required)

HANDLES

HANDLE TYPE	FINISH	SINGLE DOOR MODLE	TOP AND BOTTOM HANDLE KITS
Contemporary Square Fine	Aluminum	① AHD5RDSF	③ AHD5RDB74
	Black	① AHD5RDSFB	⑤ AHD5RDB74B
Contemporary Round	Aluminum	② AHSRDSF	⑥ AHSRDB74
Classic	Aluminum	③ AHCLRDSF	⑦ AHCLRDB
Professional Round	Aluminum	④ AHP3RDSF	⑧ AHP3RDB74
Assisted Opening (custom panels only)	Check fisherpaykel.com for availability		

*Two panels supplied in panel kit.
**One panel supplied in panel kit.

Note: 1 joiner kit included with freezer model RS2474F3LJ1.

Note: For measurements of the handles, refer to 'Handle Data Sheets' section of this Planning Guide.

The models shown in this Planning Guide may not be available in all markets and are subject to change at any time. Product specifications may vary from those shown. This Planning Guide should not be used as installation guidance for any product. Further information is required to safely and correctly install the products featured here. Specific installation guidance will be available on our website fisherpaykel.com

SPECIFICATION GUIDE



RS2474F3LJ1, RS2474S3RH1 and RS2474BRU1

OVERVIEW

These slim profile Integrated Refrigerators and Freezers are perfect for compact kitchens, or pair them together for generous chilled and frozen storage. Features two independent zones with ActiveSmart™ technology for optimal freshness, and bright LED lighting. With options for ice makers, water dispensers and joining kits these models provide the ultimate flexibility.

PRODUCTS

RS2474BRU1 - Integrated Refrigerator Freezer, 24", Ice & Water

RS2474S3RH1 - Integrated Triple Zone Refrigerator, 24", Water

RS2474F3LJ1 - Integrated Triple Zone Freezer, 24", Ice

SERIES & STYLE

Series 9
Integrated

FEATURES

- ① Customize with kitchen cabinetry or a stainless steel door panel accessory
- ② Mix and match, install separately or pair together
- ③ Choose Refrigerator Freezer with two independent zones for Fridge and Freezer, or Triple Zone with three Variable Temperature Zones for Fridge, Pantry, Chill, Freeze or Soft Freeze
- ④ Intuitive, easy-to-use touchscreen interface with Wi-Fi compatibility
- ⑤ ActiveSmart™ technology maintains ideal temperature for fresher food
- ⑥ Bright LEDs illuminate ceiling, shelves, bins, and tray
- ⑦ Joining kit for pairing units; front adjustable leveling feet for easy installation
- ⑧ Premium finish with robust materials for long-lasting durability and sleek aesthetic
- ⑨ Flexible installation with left or right hinge options



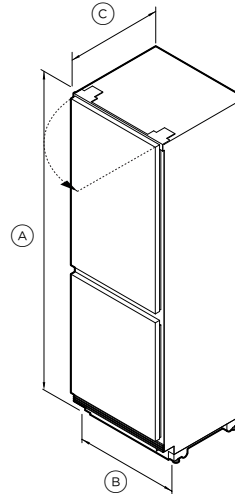
RS2474F3LJ1, RS2474S3RH1 and RS2474BRU1

The models shown in this Planning Guide may not be available in all markets and are subject to change at any time. Product specifications may vary from those shown. This Planning Guide should not be used as installation guidance for any product. Further information is required to safely and correctly install the products featured here. Specific installation guidance will be available on our website fisherpaykel.com

SPECIFICATIONS

Model No.	RS2474BRU1
Product Dimensions	H 74" (1880mm) W 23 5/16" (592mm) D 22 13/16" (579mm)
Electrical	
Supply	115 V, 60 Hz
Service	10 A
Connection	Flex cord with plug
Plumbing	
Supply	Braided hose, 7/16" x 24 UNS
Pressure	min 40 psi (275 kPa) max 12 psi (827 kPa) @ 68°F (20°C)

PRODUCT DIMENSIONS



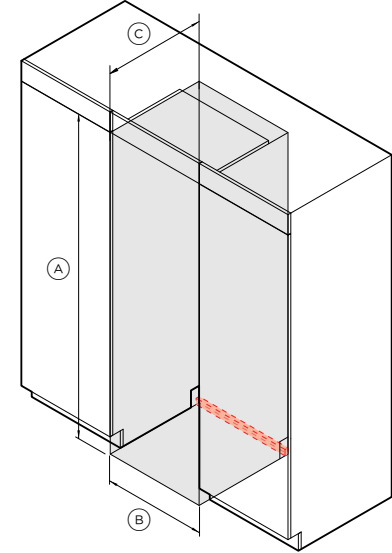
	inch	mm
(A) Overall height	74	1880
(B) Overall width	23 5/16	592
(C) Overall depth*	22 13/16	579
(D) Overall depth with the door open*	47 1/4	1200
Height of toe kick panel	3 15/16	100
Height from floor to bottom of door panel (custom panel)**	19/32 - 5 15/16	15 - 150
Depth of toe kick (excl. front door panel and toe kick panel)	2 - 3 15/16	50 - 100

*Excluding door panel and handle.

**The grille becomes visible at heights over 3 15/16" (100mm). Only applies to custom panels.

Note: Maximum custom door panel thickness of 3/4" (19mm).

CAVITY DIMENSIONS: STANDARD INSTALLATION



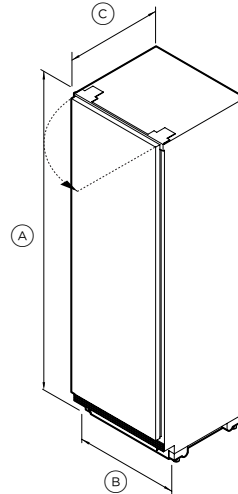
	inch	mm
(A) Cavity height	74	1880
(B) Minimum cavity width	23 5/8	600
(C) Minimum overall depth of cavity (services located at outside of cavity)	23 5/8	600
Minimum overall depth of cavity (services located in cabinet above the cavity)	24	610
Minimum overall depth of cavity (services located at rear of cavity)	25 9/16	650
Service area H 1 7/16" (37mm) x W 23 5/8" (600mm) x D 13/16" (20mm)		

The models shown in this Planning Guide may not be available in all markets and are subject to change at any time. Product specifications may vary from those shown. This Planning Guide should not be used as installation guidance for any product. Further information is required to safely and correctly install the products featured here. Specific installation guidance will be available on our website fisherpaykel.com

SPECIFICATIONS

Model No.	RS2474S3RH1, RS2474F3LJ1
Product Dimensions	H 74" (1880mm) W 23 5/16" (592mm) D 22 13/16" (579mm)
Electrical	
Supply	115 V, 60 Hz
Service	10 A
Connection	Flex cord with plug
Plumbing	
Supply	Braided hose, 7/16" x 24 UNS
Pressure	min 40 psi (275 kPa) max 12 psi (827 kPa) @ 68°F (20°C)

PRODUCT DIMENSIONS



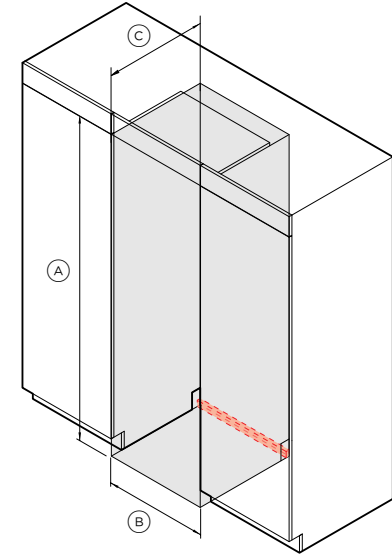
	inch	mm
(A) Overall height	74	1880
(B) Overall width	23 5/16	592
(C) Overall depth*	22 13/16	579
(D) Overall depth with the door open*	47 1/4	1200
Height of toe kick panel	3 15/16	100
Height from floor to bottom of door panel (custom panel)**	19/32 - 5 15/16	15 - 150
Depth of toe kick (excl. front door panel and toe kick panel)	2 - 3 15/16	50 - 100

*Excluding door panel and handle.

**The grille becomes visible at heights over 3 15/16" (100mm). Only applies to custom panels.

Note: Maximum custom door panel thickness of 3/4" (19mm).

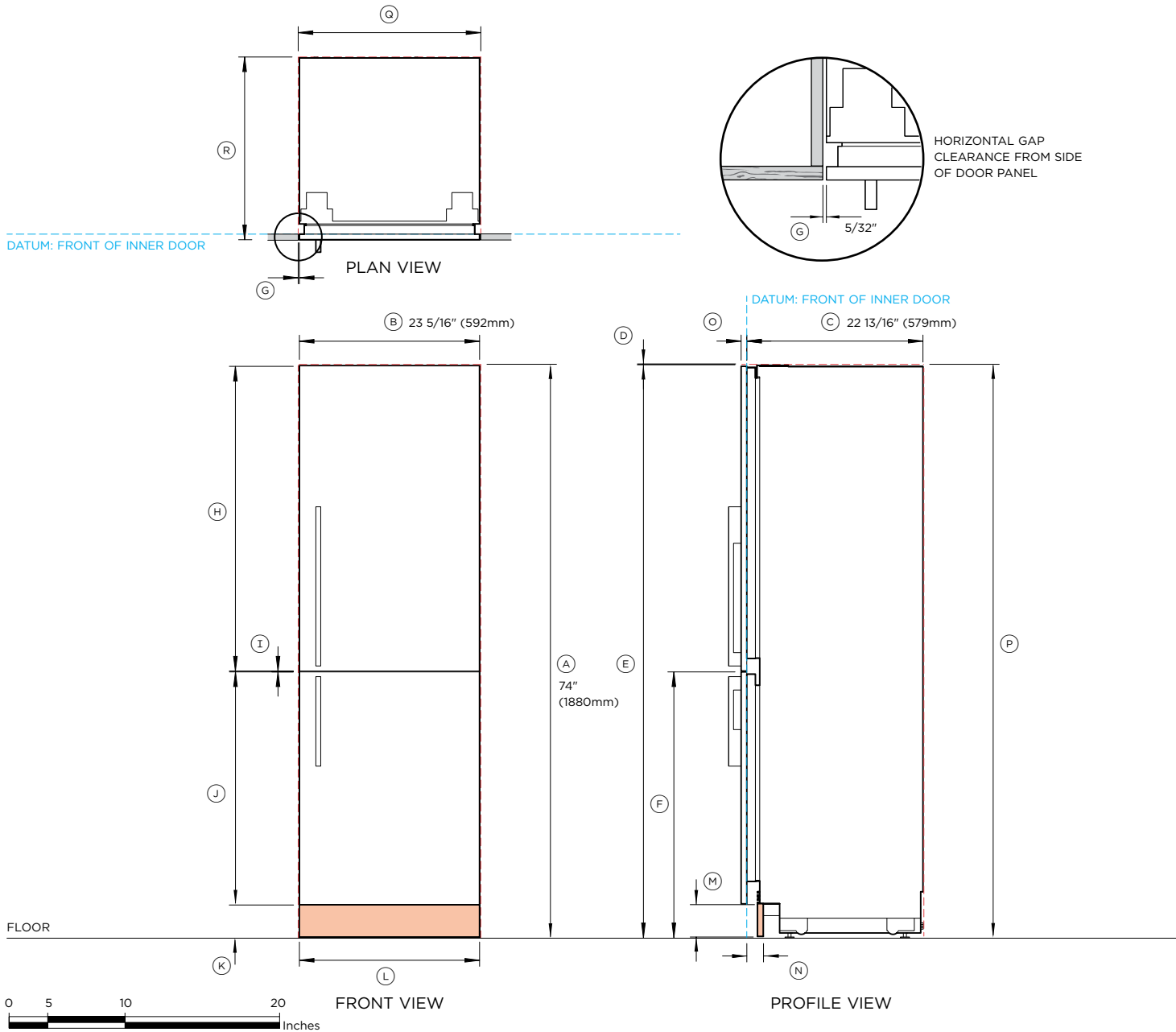
CAVITY DIMENSIONS: STANDARD INSTALLATION



	inch	mm
(A) Cavity height	74	1880
(B) Minimum cavity width	23 5/8	600
(C) Minimum overall depth of cavity (services located at outside of cavity)	23 5/8	600
Minimum overall depth of cavity (services located in cabinet above the cavity)	24	610
Minimum overall depth of cavity (services located at rear of cavity)	25 9/16	650
Service area	H 1 7/16" (37mm) x W 23 5/8" (600mm) x D 13/16" (20mm)	

The models shown in this Planning Guide may not be available in all markets and are subject to change at any time. Product specifications may vary from those shown. This Planning Guide should not be used as installation guidance for any product. Further information is required to safely and correctly install the products featured here. Specific installation guidance will be available on our website fisherpaykel.com

DATA SHEETS



Model no:

Integrated Refrigerator Freezer - RS2474BRU1
 Stainless Steel Panels - RD2474BR
 Stainless Steel Toe Kick Panel - AKRS2304
 Handle Kit - AHD5RDB74

Note: Left-hand hinge is a mirrored version of the image shown. Left-hand hinge can be achieved using supplied parts. Please refer to Installation Guide for details.

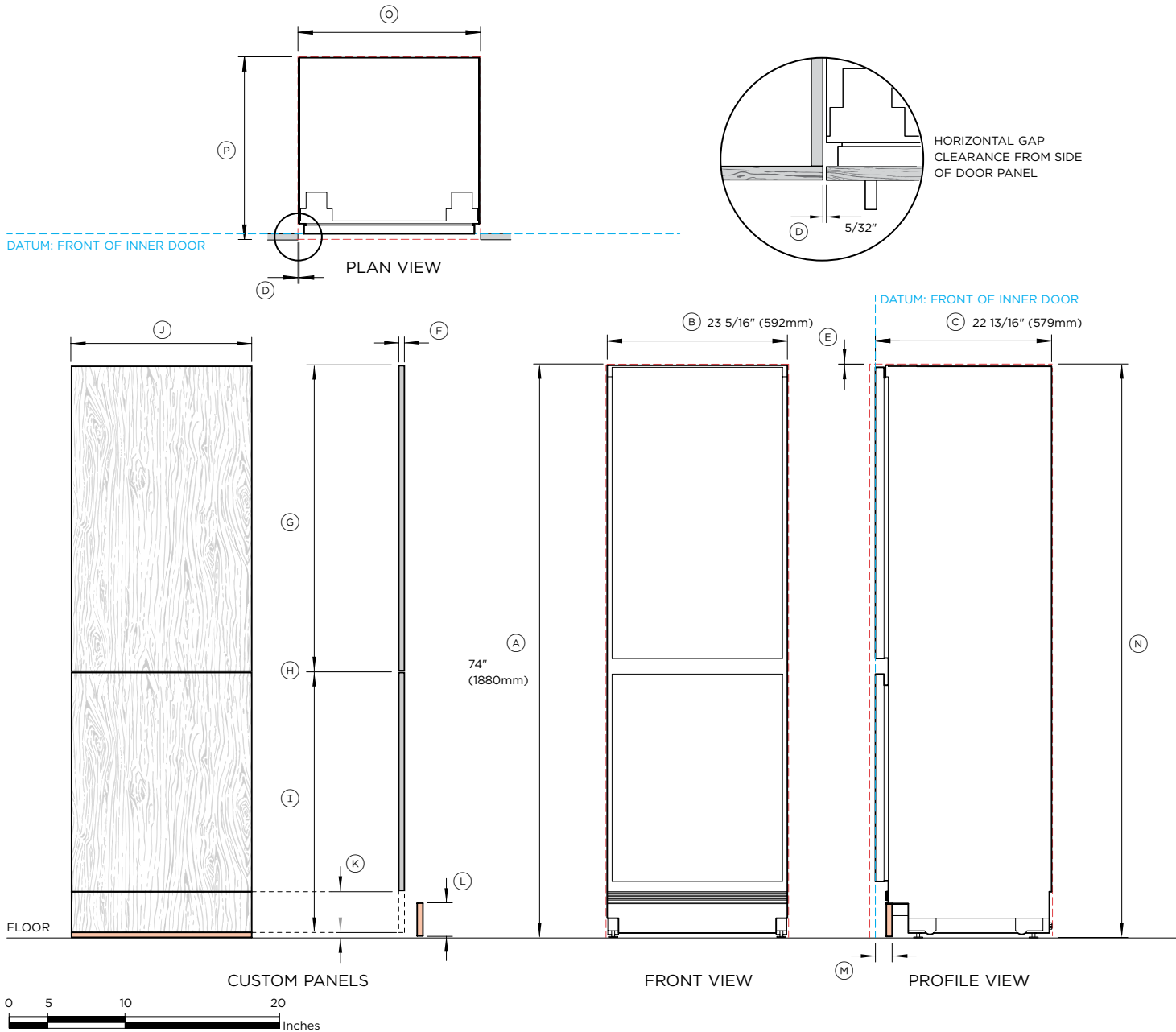
Product Dimensions		inch	mm
Ⓐ	Overall height of product	74	1880
Ⓑ	Overall width of product	23 5/16	592
Ⓒ	Overall depth of product (excl. front door panels)	22 13/16	579
Ⓓ	Minimum cabinetry clearance from top of stainless steel door panel	1/8	3
Ⓔ	Height from top of top stainless steel door panel to floor	73 7/8	1877
Ⓕ	Height from top of bottom stainless steel door panel to floor	34 3/8	873
Ⓖ	Minimum cabinetry clearance from side of stainless steel door panel	5/32	4
Ⓗ	Height of top stainless steel door panel	39 13/32	1001
Ⓙ	Gap between stainless steel door panels	1/8	3
Ⓚ	Height of bottom stainless steel door panel	30 3/8	771
Ⓛ	Height of visual toe kick	4	102
Ⓛ	Width of stainless steel door panels	23 5/16	592
Ⓜ	Height of stainless steel toe kick panel	3 15/16	100
Ⓝ	Depth of toe kick (excl. front door panel and toe kick panel)	min 2 max 3 15/16	min 50 max 100
Ⓟ	Thickness of stainless steel door panels	1/16	18

Cavity Dimensions		inch	mm
Ⓐ	Overall height of cavity	74	1880
Ⓑ	Overall width of cavity	23 5/8	600
Ⓒ	Minimum overall depth of cavity (including front panel):		
	When services are located outside of cavity (shallow)	23 5/8	600
	When services are located in the cabinet above the cavity	24	610
	When services are located at rear of cavity (deep)	25 9/16	650

Note: Product shown installed on the floor. Slide into cabinetry position. Alternatively can be installed on a plinth. Adjust your cavity height accordingly

INDICATES PRODUCT DATUM -----
 INDICATES CABINERY CLEARANCES - - - - -

IMPORTANT NOTE: Throughout this guide, dimensions may vary by ±2mm (1/16"). Please read the Installation Guide for detailed information on installing the product. For full installation instructions visit fisherpaykel.com



Model no:

Integrated Refrigerator Freezer - RS2474BRU1
Custom Panel

Note: Left-hand hinge is a mirrored version of the image shown. Left-hand hinge can be achieved using supplied parts. Please refer to Installation Guide for details.

Product Dimensions	inch	mm
(A) Overall height of product	74	1880
(B) Overall width of product	23 5/16	592
(C) Overall depth of product	22 13/16	579
(D) Minimum cabinetry clearance from side of door panels*	5/32	4
(E) Minimum cabinetry clearance from top of door panel*	1/8	3
(F) Thickness of custom door panel*	5/8 - 3/4	16 - 19
(G) Height of top custom door panel	39 7/16	1001
(H) Gap between door panels	1/8	3
(I) Height of bottom custom door panel	28 3/8 - 33 11/16	721 - 856
(J) Width of custom door panels		
Single install	23 5/16	592
Dual install	23 3/8	594
Triple install	23 13/32	594.5
(K) Height of visual toe kick**	9/16 - 5/16	15 - 150
(L) Height of custom toe kick panel*	3 15/16	100
(M) Depth of custom toe kick (excl. front door panel and toe kick panel)*	min 2 max 3 15/16	min 50 max 100

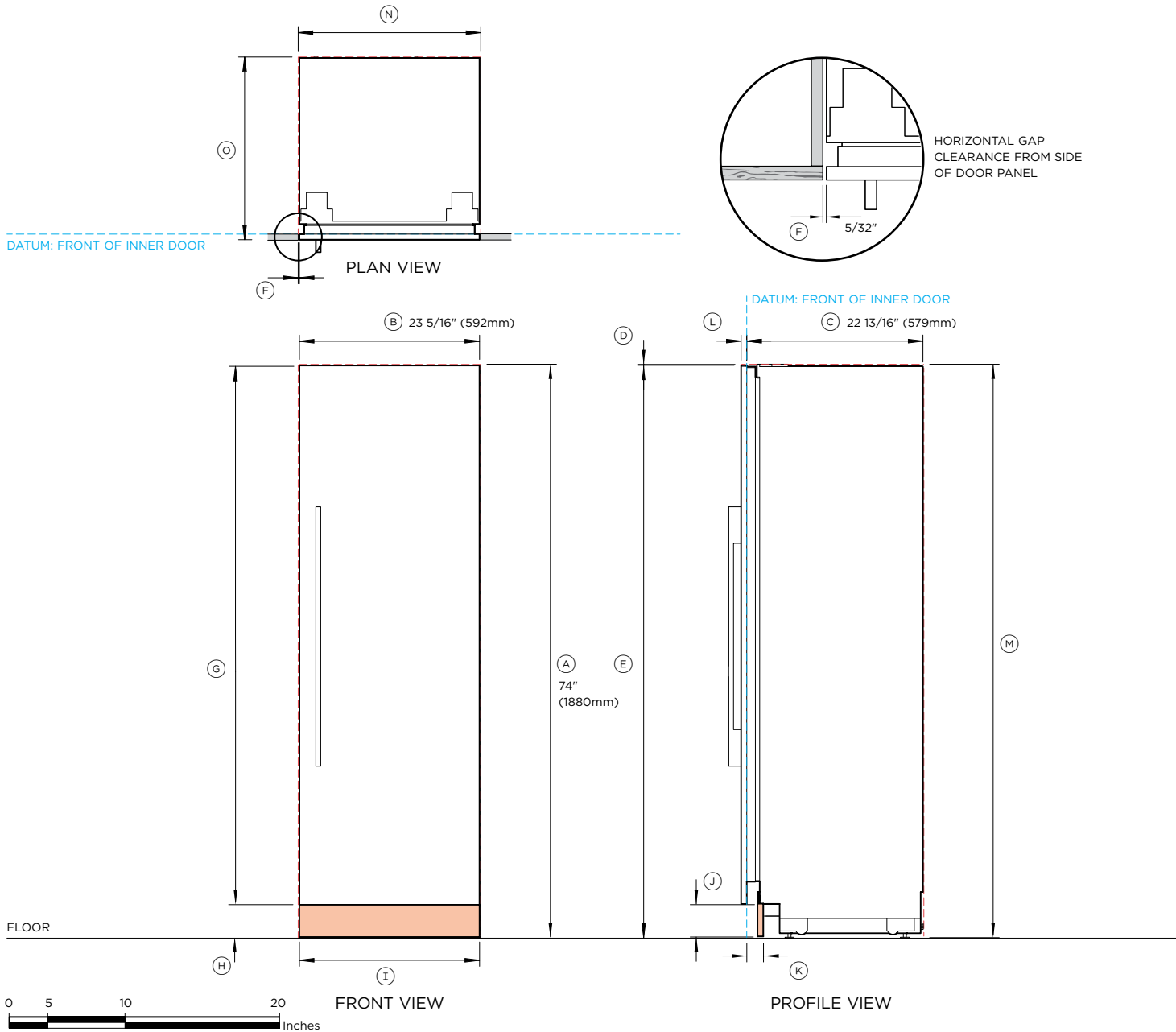
*Custom door panels and toe kick panel to be manufactured and fitted by cabinet maker.
**The grille becomes visible at heights over 3 15/16" (100mm).

Cavity Dimensions	inch	mm
(N) Overall height of cavity	74	1880
(O) Overall width of cavity	23 5/8	600
(P) Minimum overall depth of cavity (including front panel):		
When services are located outside of cavity (shallow)	23 5/8	600
When services are located in the cabinet above the cavity	24	610
When services are located at rear of cavity (deep)	25 9/16	650

Note: Product shown installed on the floor. Slide into cabinetry position. Alternatively can be installed on a plinth. Adjust your cavity height accordingly.

INDICATES PRODUCT DATUM -----
INDICATES CABINERY CLEARANCES - - - - -

IMPORTANT NOTE: Throughout this guide, dimensions may vary by ±2mm (1/16"). Please read the Installation Guide for detailed information on installing the product. For full installation instructions visit fisherpaykel.com



Model no:

Integrated Refrigerator - RS2474S3RH1
 Integrated Freezer - RS2474F3LJ1

Stainless Steel Panels - RD2474
 Handle Kit - AHD5RDSF
 Stainless Steel Toe Kick Panel - AKRS06010

Note: Left-hand hinge is a mirrored version of the image shown. Left-hand hinge can be achieved using supplied parts. Please refer to Installation Guide for details.

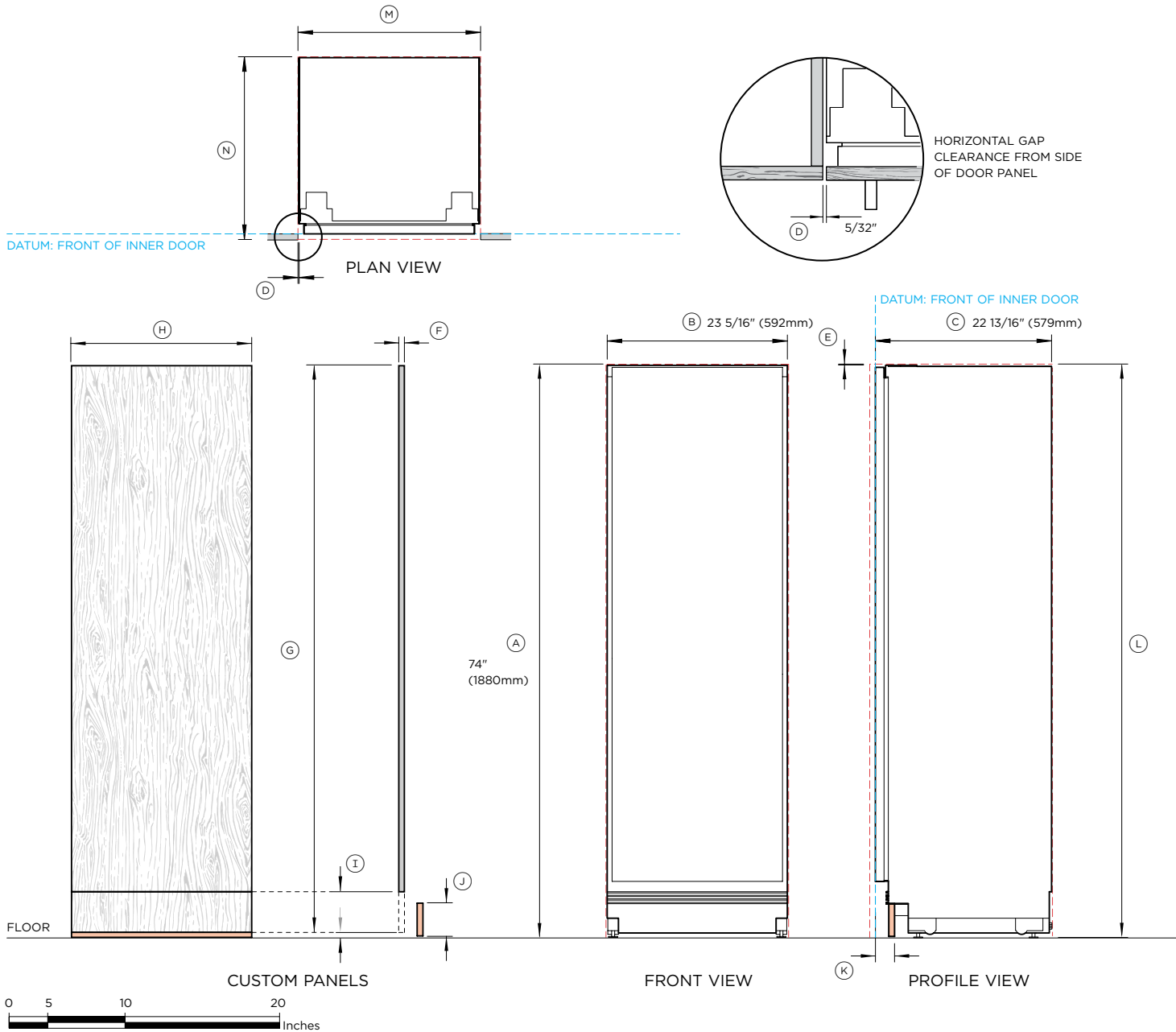
Product Dimensions	inch	mm
Ⓐ Overall height of product	74	1880
Ⓑ Overall width of product	23 5/16	592
Ⓒ Overall depth of product (excl. front door panels)	22 13/16	579
Ⓓ Minimum cabinetry clearance from top of stainless steel door panel	1/8	3
Ⓔ Height from top of stainless steel door panel to floor	73 7/8	1877
Ⓕ Minimum cabinetry clearance from side of stainless steel door panel	5/32	4
Ⓖ Height of stainless steel door panel	69 7/8	1775
Ⓜ Height of visual toe kick	4	102
Ⓘ Width of stainless steel door panel	23 5/16	592
Ⓝ Height of stainless steel toe kick panel	3 15/16	100
Ⓚ Depth of toe kick (excl. front door panel and toe kick panel)	min 2 3 15/16	min 50 max 100
Ⓛ Thickness of stainless steel door panel	11/16	18

Cavity Dimensions	inch	mm
Ⓜ Overall height of cavity	74	1880
Ⓝ Overall width of cavity	23 5/8	600
Ⓒ Minimum overall depth of cavity (including front panel):		
When services are located outside of cavity (shallow)	23 5/8	600
When services are located in the cabinet above the cavity	24	610
When services are located at rear of cavity (deep)	25 9/16	650

Note: Product shown installed on the floor. Slide into cabinetry position. Alternatively can be installed on a plinth. Adjust your cavity height accordingly.

INDICATES PRODUCT DATUM -----
 INDICATES CABINERY CLEARANCES - - - - -

IMPORTANT NOTE: Throughout this guide, dimensions may vary by ±2mm (1/16"). Please read the Installation Guide for detailed information on installing the product. For full installation instructions visit fisherpaykel.com



Model no:

Integrated Refrigerator - RS2474S3RH1
 Integrated Freezer - RS2474F3LJ1
 Custom Panel

Note: Left-hand hinge is a mirrored version of the image shown. Left-hand hinge can be achieved using supplied parts. Please refer to Installation Guide for details.

Product Dimensions	inch	mm
Ⓐ Overall height of product	74	1880
Ⓑ Overall width of product	23 5/16	592
Ⓒ Overall depth of product	22 13/16	579
Ⓓ Minimum cabinetry clearance from side of door panel*	5/32	4
Ⓔ Minimum cabinetry clearance from top of door panel*	1/8	3
Ⓕ Thickness of custom door panel*	5/8 - 3/4	16 - 19
Ⓖ Height of custom door panel	67 15/16 - 73 1/4	1725 - 1860
Ⓗ Width of custom door panel		
Single install	23 5/16	592
Dual install	23 3/8	594
Triple install	23 13/32	594.5
Ⓙ Height of visual toe kick**	9/16 - 5 15/16	15 - 150
Ⓚ Height of custom toe kick panel*	3 15/16	100
Ⓛ Depth of custom toe kick (excl. front door panel and toe kick panel)*	min 2 max 3 15/16	min 50 max 100

*Custom door panel and toe kick panel to be manufactured and fitted by cabinet maker.

**The grille becomes visible at heights over 3 15/16" (100mm).

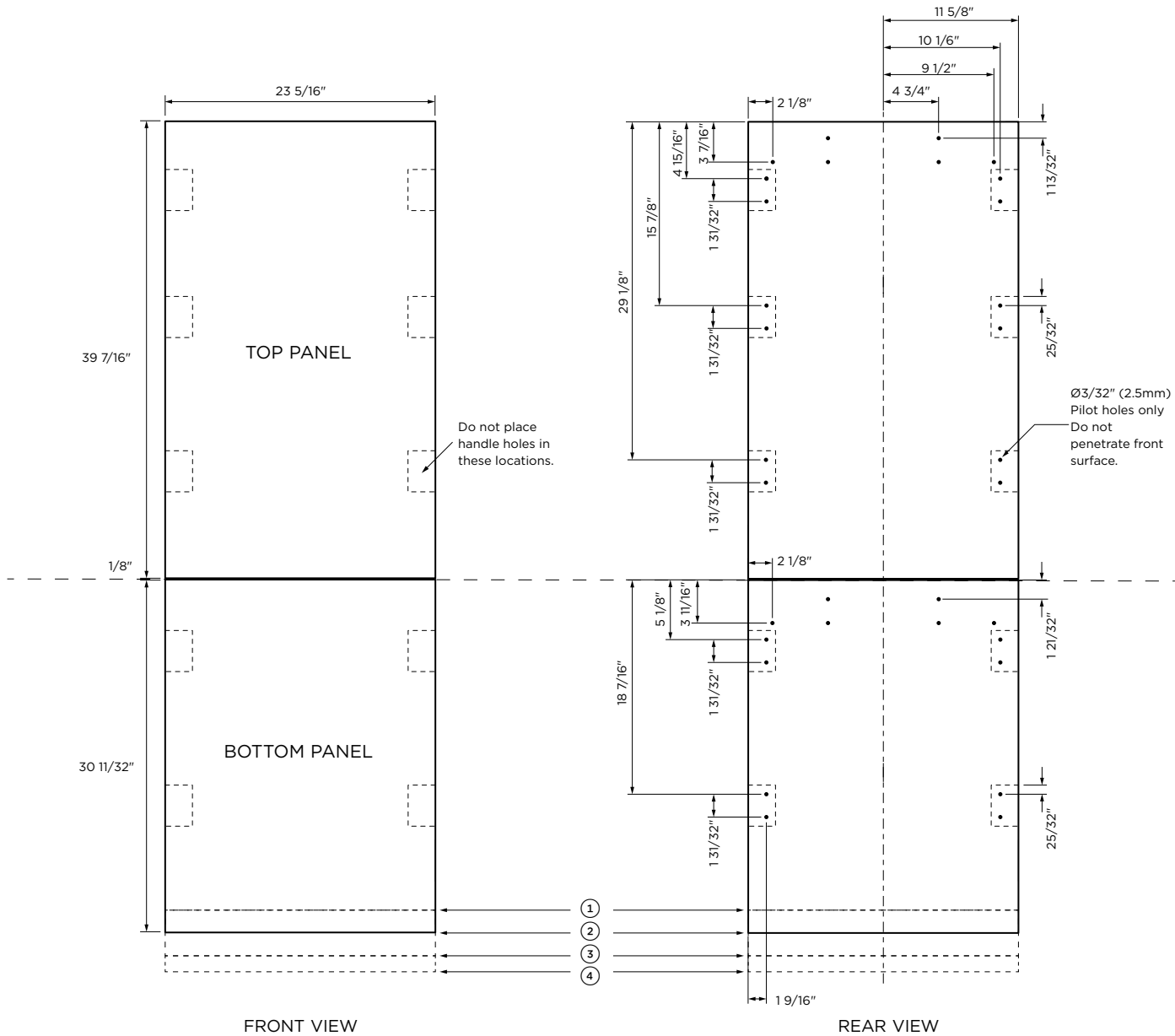
Cavity Dimensions	inch	mm
Ⓛ Overall height of cavity	74	1880
Ⓜ Overall width of cavity	23 5/8	600
Ⓝ Minimum overall depth of cavity (including front panel):		
When services are located outside of cavity (shallow)	23 5/8	600
When services are located in the cabinet above the cavity	24	610
When services are located at rear of cavity (deep)	25 9/16	650

Note: Product shown installed on the floor. Slide into cabinetry position. Alternatively can be installed on a plinth. Adjust your cavity height accordingly.

INDICATES PRODUCT DATUM -----
 INDICATES CABINERY CLEARANCES - - - - -

IMPORTANT NOTE: Throughout this guide, dimensions may vary by ±2mm (1/16"). Please read the Installation Guide for detailed information on installing the product. For full installation instructions visit fisherpaykel.com

CUSTOM PANELS



VISUAL TOE KICK HEIGHT FROM FLOOR TO BOTTOM OF DOOR PANEL

- ① Visual toe kick height 5 15/16" (150mm) custom door panel 2" (50mm) shorter
- ② Visual toe kick height 3 15/16" (100mm)
- ③ Visual toe kick height 2" (50mm) custom door panel 2" (50mm) longer
- ④ Visual toe kick height 5/8" (15mm) custom door panel 3 6/16" (85mm) longer

CUSTOM PANEL WEIGHT

Custom top panel: Max 21lbs (9.5kg)

Custom bottom panel: Max 20lbs (9kg)

Note: Door weights includes weight of handle.

HANDLE HOLE LOCATIONS

All Fisher & Paykel handle holes Ø 4/16" (6mm).
Do not place handle holes in bracket hole locations.

BRACKET HOLE LOCATIONS

Ø 1/16" (2.5mm) pilot holes, all holes 5/8" (15mm) deep. Do not penetrate front face.

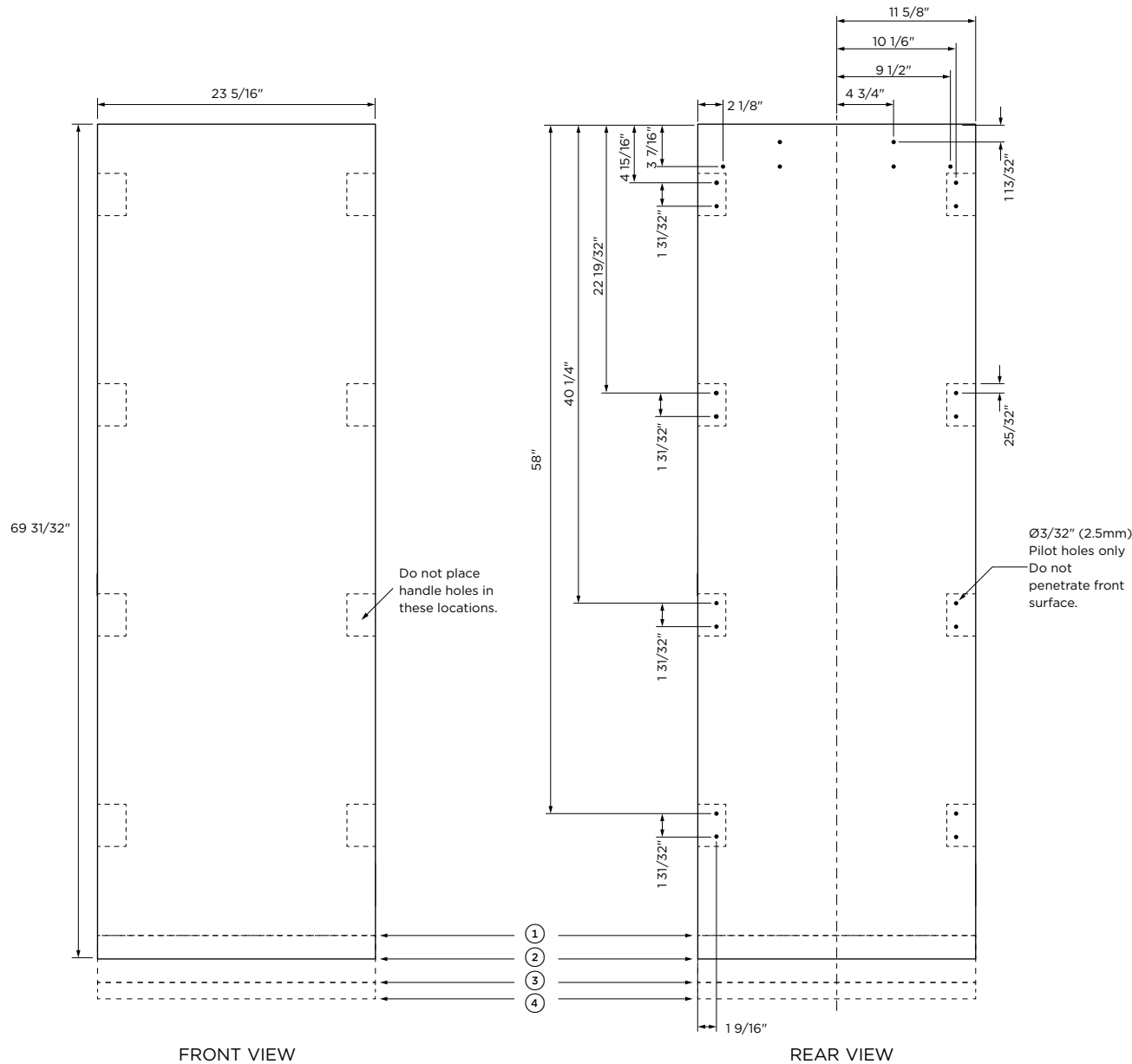
DWG & DXF FILES AND TEMPLATE

Dwg and Dxf files of the panel preparation can be downloaded from Trade Resources www.fisherpaykel.com.
A template for marking and drilling the holes is provided with the product.

GAP BETWEEN CUSTOM DOOR PANELS

Allow 1/8" (3 mm) gap between the top of the custom door panel and the bottom custom door panel.

The models shown in this Planning Guide may not be available in all markets and are subject to change at any time. Product specifications may vary from those shown. This Planning Guide should not be used as installation guidance for any product. Further information is required to safely and correctly install the products featured here. Specific installation guidance will be available on our website fisherpaykel.com



VISUAL TOE KICK HEIGHT FROM FLOOR TO BOTTOM OF DOOR PANEL

- ① Visual toe kick height 5 15/16" (150mm) custom door panel 2" (50mm) shorter
- ② Visual toe kick height 3 15/16" (100mm)
- ③ Visual toe kick height 2" (50mm) custom door panel 2" (50mm) longer
- ④ Visual toe kick height 5/8" (15mm) custom door panel 3 6/16" (85mm) longer

CUSTOM PANEL WEIGHT

Custom single panel: Max 42lbs (19kg)
Note: Door weights includes weight of handle.

FRONT OF CUSTOM DOOR PANEL HANDLE HOLE LOCATIONS

All Fisher & Paykel handle holes Ø 4/16" (6mm).
Do not place handle holes in bracket hole locations.

DWG & DXF FILES AND TEMPLATE

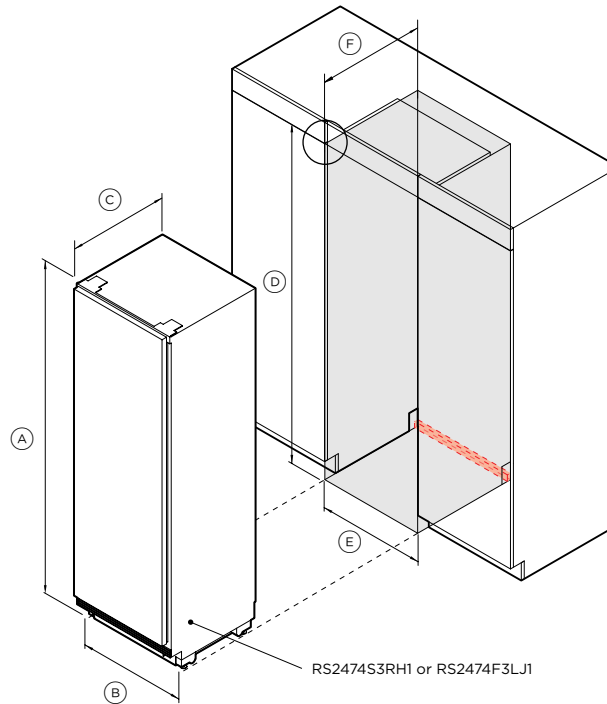
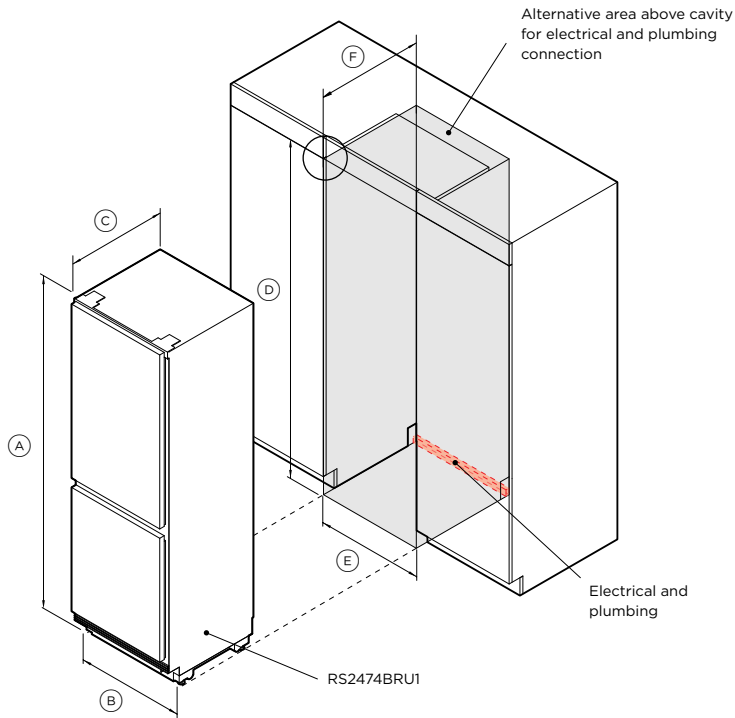
Dwg and Dxf files of the panel preparation can be downloaded from Trade Resources www.fisherpaykel.com.
A template for marking and drilling the holes is provided with the product.

BACK OF CUSTOM DOOR PANEL BRACKET HOLE LOCATIONS

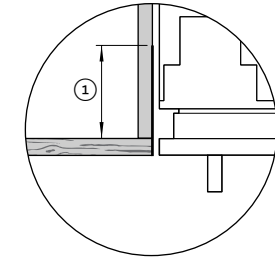
Ø 1/16" (2.5mm) pilot holes, all holes 5/8" (15mm) deep. Do not penetrate front face.

The models shown in this Planning Guide may not be available in all markets and are subject to change at any time. Product specifications may vary from those shown. This Planning Guide should not be used as installation guidance for any product. Further information is required to safely and correctly install the products featured here. Specific installation guidance will be available on our website fisherpaykel.com

PLANNING CONSIDERATIONS



ADJACENT CABINETS



PLAN VIEW

CABINETS RETURN

① Finished return on side and top = Min 3 15/16" (100mm)

PRODUCT DIMENSIONS

Dimensions
Ⓐ Overall height of product
Ⓑ Overall width of product
Ⓒ Overall depth of product (not including door panel)

RS2474BRU1

Inch	mm
74	1880
23 5/16	592
22 13/16	579

RS2474S3RH1 & RS2474F3LJ1

Inch	mm
74	1880
23 5/16	592
22 13/16	579

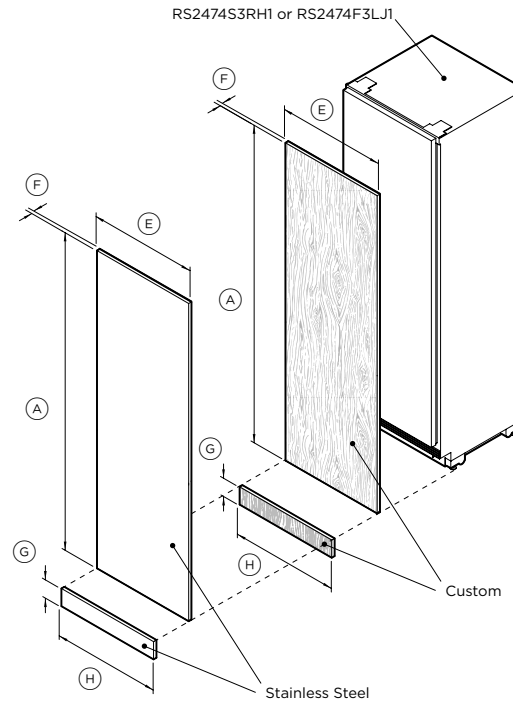
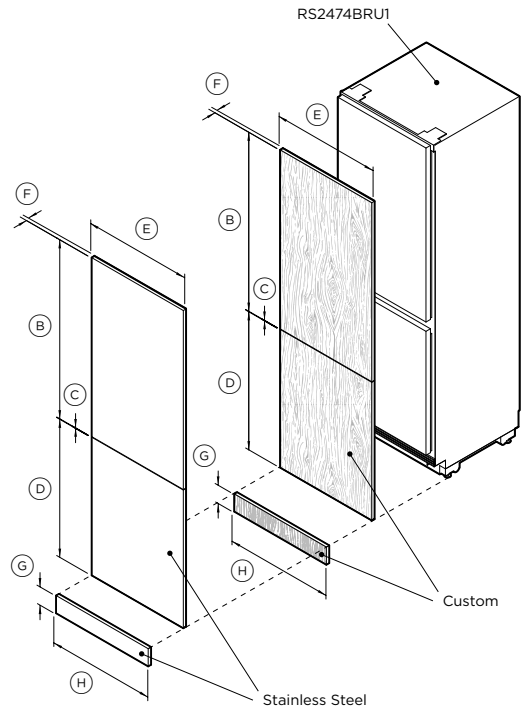
CAVITY DIMENSIONS

Ⓓ Overall height of cavity
Ⓔ Overall width of cavity
Ⓕ Minimum overall depth of cavity (services located at outside of cavity)
Minimum overall depth of cavity (services located in cabinet above the cavity)
Minimum overall depth of cavity (services located at rear of cavity)

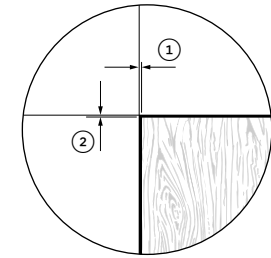
74	1880
23 5/8	600
23 5/8	600
24	610
25 9/16	650

74	1880
23 5/8	600
23 5/8	600
24	610
25 9/16	650

The models shown in this Planning Guide may not be available in all markets and are subject to change at any time. Product specifications may vary from those shown. This Planning Guide should not be used as installation guidance for any product. Further information is required to safely and correctly install the products featured here. Specific installation guidance will be available on our website fisherpaykel.com



ADJACENT CABINERY



FRONT VIEW

ADJACENT CABINERY (SINGLE INSTALL)

- ① Vertical gap clearance from side of door panel to adjacent cabinetry. Min 3/16" (4mm)
- ② Horizontal gaps between door and neighboring cabinetry. Min 3/16" (3mm)

PANEL AND TOE KICK DIMENSIONS

Dimensions
Ⓐ Door panel height - single door
Ⓑ Top door panel height - double door
Ⓒ Gap between door panels
Ⓓ Bottom door panel height - double door
Ⓔ Door panel width
Ⓕ Door panel thickness
Ⓖ Toe kick height
Visual toe kick height
Ⓗ Toe kick width

CUSTOM PANEL

Inch	mm
min 67 15/16 max 73 1/4	min 1725 max 1860
39 7/16	1001
1/8	3
28 3/8 - 33 11/16	721 - 856
23 5/16	592
5/8 - 3/4	16 - 19
3 15/16	100
min 9/16 max 5 15/16	min 15 max 150
23 1/2	597

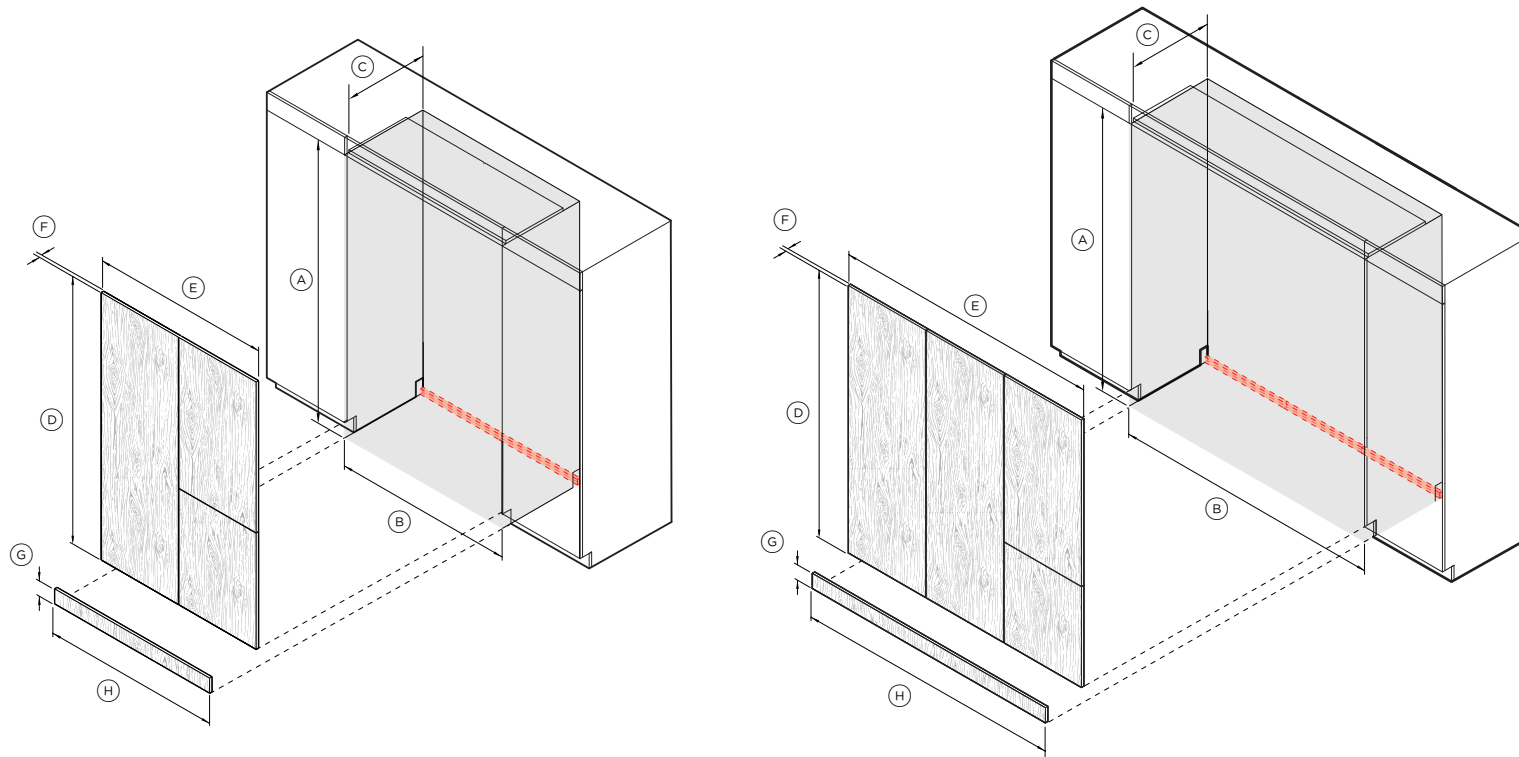
STAINLESS STEEL PANEL

Inch	mm
69 7/8	1775
39 7/16	1001
1/8	3
30 3/8	771
23 5/16	592
11/16	18
3 15/16	100
4	102
23 15/32	596

STAINLESS STEEL

Single door panels: RD2474
Double door panels: RD2474BL or RD2474BR
Single install toe kick: AKRS2304

The models shown in this Planning Guide may not be available in all markets and are subject to change at any time. Product specifications may vary from those shown. This Planning Guide should not be used as installation guidance for any product. Further information is required to safely and correctly install the products featured here. Specific installation guidance will be available on our website fisherpaykel.com



JOINER KIT

Joiner kit: AJRS74LR

Dual installation: 1x joiner kit required

Triple installation: 2x joiner kits required

STAINLESS STEEL

Single door panels: RD2474

Double door panels: RD2474BL or RD2474BR

Double toe kick: AKRS4704

Triple toe kick: AKRS7104

CAVITY DIMENSIONS

Dimensions	Inch	mm
Ⓐ Overall height of cavity	74	1880
Ⓑ Overall width of cavity	47 1/4	1200
Ⓒ Minimum overall depth of cavity (services located at outside of cavity)	23 5/8	600
Minimum overall depth of cavity (services located in cabinet above the cavity)	24	610
Minimum overall depth of cavity (services located at rear of cavity)	25 9/16	650
Ⓓ Door panel height	min 67 15/16 max 73 1/4	min 1725 max 1860
Ⓔ Overall door panel widths (including vertical gaps between doors)	46 15/16	1192
Ⓕ Door panel thickness	5/8 - 3/4	16 - 19
Ⓖ Toe kick panel height	3 15/16	100
Visual toe kick height	min 9/16 max 5 15/16	min 15 max 150
Ⓗ Overall toe kick width	47 3/32	1196

CUSTOM - DUAL

Inch	mm
74	1880
47 1/4	1200
23 5/8	600
24	610
25 9/16	650
min 67 15/16 max 73 1/4	min 1725 max 1860
46 15/16	1192
5/8 - 3/4	16 - 19
3 15/16	100
min 9/16 max 5 15/16	min 15 max 150
47 3/32	1196

STAINLESS STEEL - DUAL

Inch	mm
74	1880
47 1/4	1200
23 5/8	600
24	610
25 9/16	650
69 7/8	1775
46 15/16	1192
11/16	18
3 15/16	100
4	102
47 3/32	1196

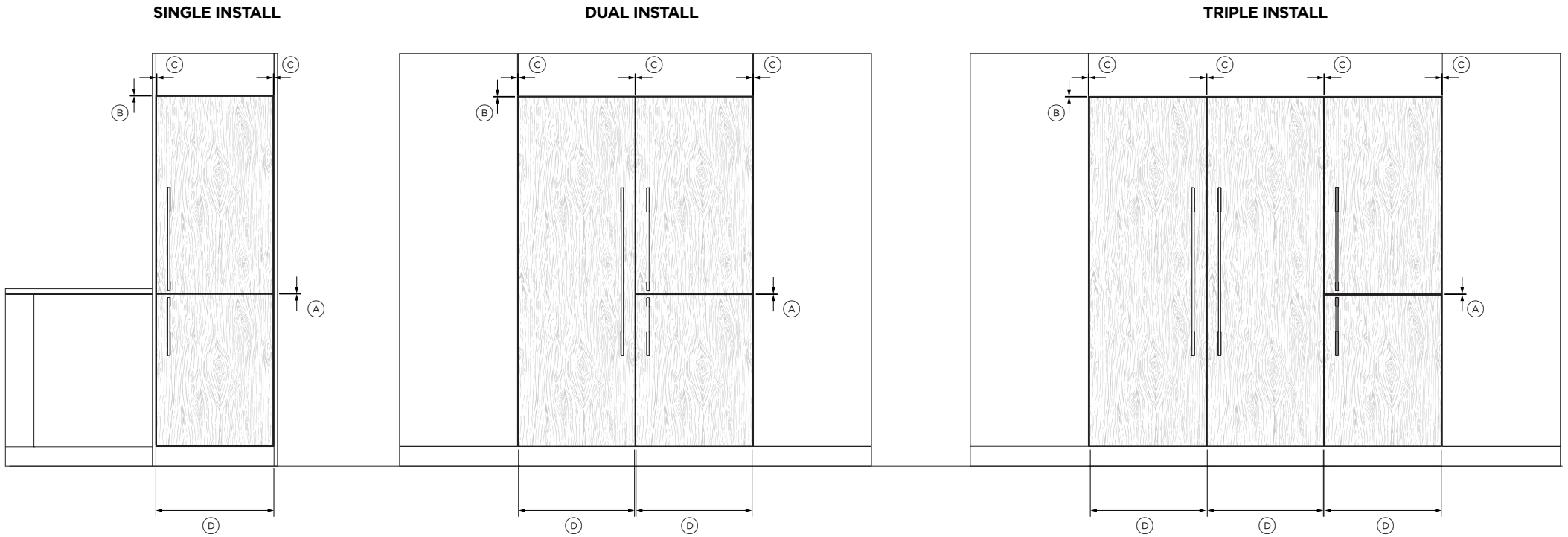
CUSTOM - TRIPLE

Inch	mm
74	1880
74	1880
23 5/8	600
24	610
25 9/16	650
min 67 15/16 max 73 1/4	min 1725 max 1860
70 17/32	1791.5
5/8 - 3/4	16 - 19
3 15/16	100
min 9/16 max 5 15/16	min 15 max 150
69 5/8	1796

STAINLESS STEEL - TRIPLE

Inch	mm
74	1880
74	1880
23 5/8	600
24	610
25 9/16	650
69 7/8	1775
70 3/8	1788
11/16	18
3 15/16	100
4	102
69 5/8	1796

The models shown in this Planning Guide may not be available in all markets and are subject to change at any time. Product specifications may vary from those shown. This Planning Guide should not be used as installation guidance for any product. Further information is required to safely and correctly install the products featured here. Specific installation guidance will be available on our website fisherpaykel.com



CLEARANCES

Dimensions	
Ⓐ	Horizontal gaps between doors
Ⓑ	Horizontal gaps between door and neighboring cabinetry
Ⓒ	Vertical gaps between doors
Ⓓ	Door widths

CUSTOM PANEL

	Inch	mm
Ⓐ	1/8	3
Ⓑ	1/8	3
Ⓒ	5/32	4
Ⓓ	23 5/16	592

STAINLESS STEEL PANEL

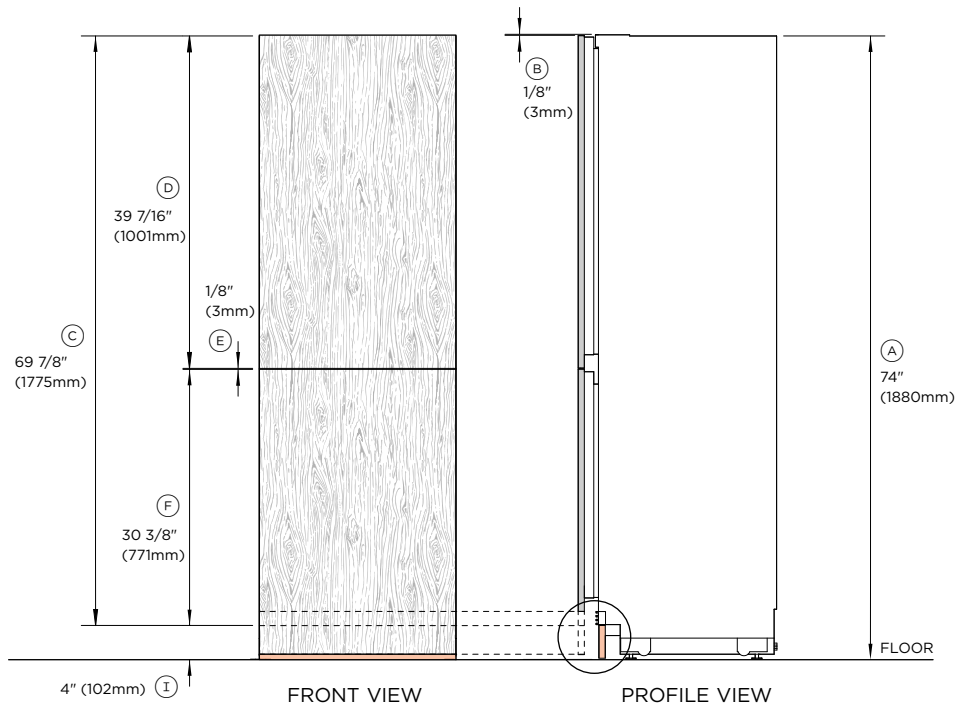
	Inch	mm
Ⓐ	1/8	3
Ⓑ	1/8	3
Ⓒ	5/32	4
Ⓒ	3/16	5
Ⓒ	1/4	6
Ⓓ	23 5/16	592
Ⓓ	23 5/16	592
Ⓓ	23 5/16	592

STAINLESS STEEL PANELS

Integrated Refrigerator Freezer:
Left RD2474BL and right RD2474BR

Integrated Refrigerator and Freezer:
RD2474

The models shown in this Planning Guide may not be available in all markets and are subject to change at any time. Product specifications may vary from those shown. This Planning Guide should not be used as installation guidance for any product. Further information is required to safely and correctly install the products featured here. Specific installation guidance will be available on our website fisherpaykel.com



CUSTOM DOOR PANEL

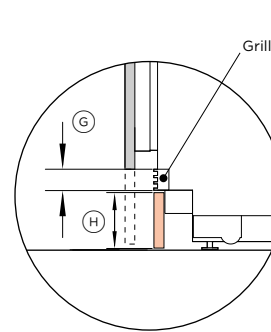
Custom door panel can be longer or shorter to achieve a smaller or bigger visual toe kick.

Head to 'Custom Panels' section of this planning guide to find out more about custom panel heights.

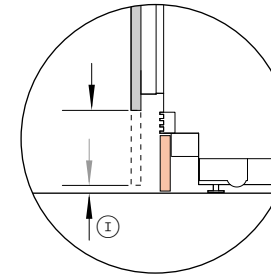
STAINLESS STEEL DOOR PANEL

Grille will be hidden by the stainless steel front panel.

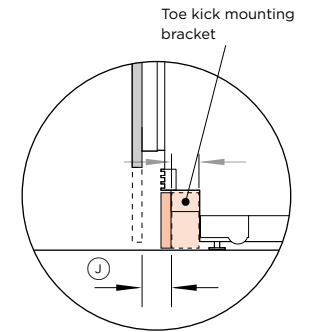
Toe kick panels are 3 15/16" (100mm) high.



GRILLE AND TOE KICK
PROFILE VIEW



CUSTOM DOOR PANEL
PROFILE VIEW



TOE KICK DEPTH
PROFILE VIEW

TOE KICK AND DOOR PANELS

Dimensions	
Ⓐ Overall product height	74"
Ⓑ Minimum cabinetry clearance from top of door panel	1/8"
Ⓒ Door panel height - single door	min 67 15/16" max 73 1/4"
Ⓓ Top door panel height - double door	39 7/16"
Ⓔ Gap between door panels - double door	1/8"
Ⓕ Bottom door panel height - double door	min 28 3/8" max 33 11/16"
Ⓖ Grille height	2"
Ⓜ Toe kick panel height	3 15/16"
Ⓝ Visual toe kick height	min 9/16" max 5 15/16"
Ⓞ Depth of toe kick (excl. front door panel and toe kick panel)	2 - 3 15/16"

Custom door panels and toe kick panel to be manufactured and fitted by cabinet maker.

CUSTOM PANEL

Inch	mm
74	1880
1/8	3
min 67 15/16 max 73 1/4	min 1725 max 1860
39 7/16	1001
1/8	3
min 28 3/8 max 33 11/16	min 721 max 856
2	50
3 15/16	100
min 9/16 max 5 15/16	min 15 max 150
2 - 3 15/16	min 50 - 100

STAINLESS STEEL PANEL

Inch	mm
74	1880
1/8	3
69 7/8	1775
39 7/16	1001
1/8	3
30 3/8	771
2	50
3 15/16	100
4	102
2 - 3 15/16	50 - 100

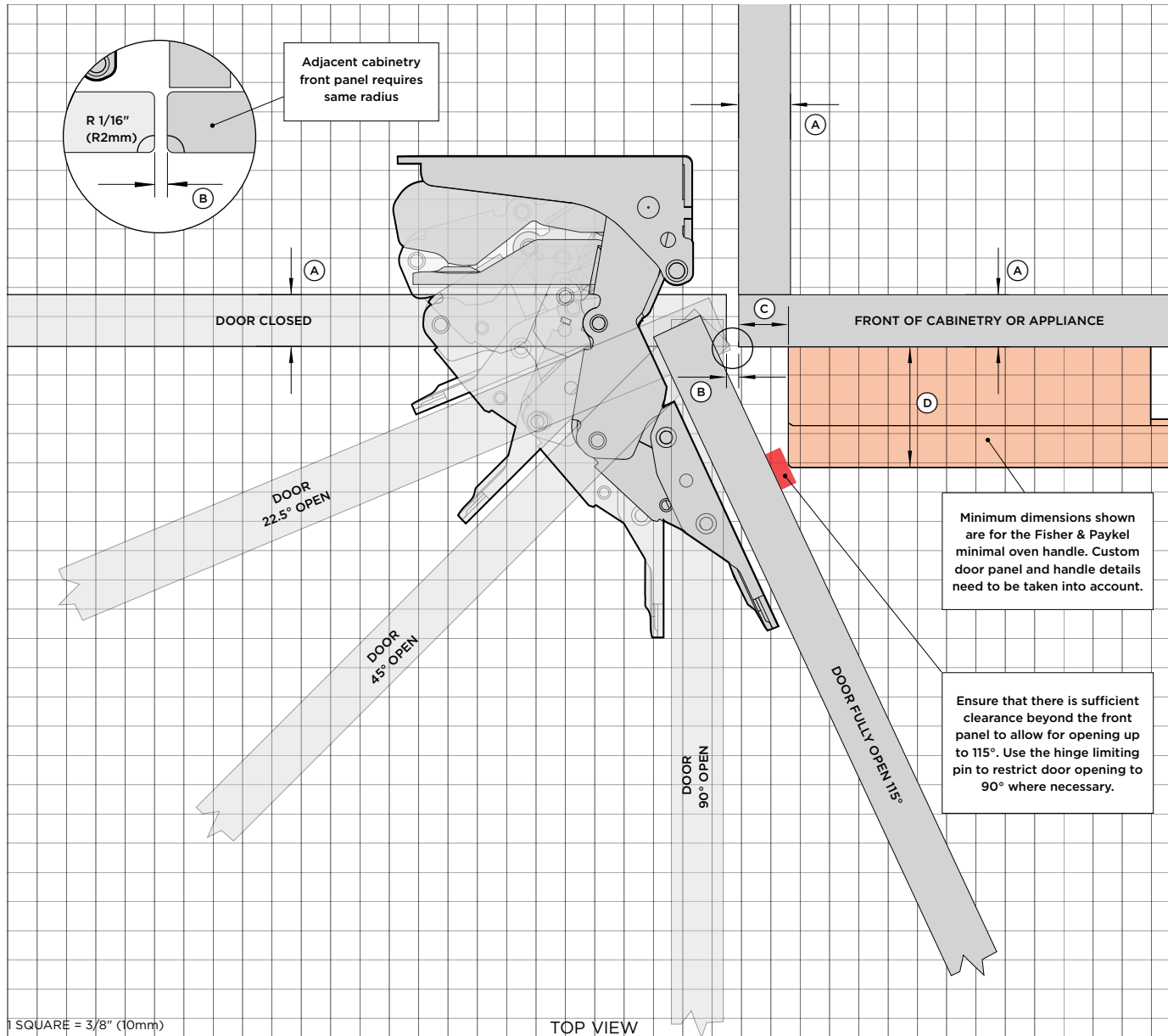
GRILLE - CUSTOM TOE KICK

The grille becomes visible if visual toe kick is higher than 3 15/16" (100mm) high.

TOE KICK DEPTH

The toe kick mounting bracket extends out to 2" (50mm). To ensure proper alignment with the front of the grille, use a toe kick panel that is minimum of 11/16" (18mm) thick.

The models shown in this Planning Guide may not be available in all markets and are subject to change at any time. Product specifications may vary from those shown. This Planning Guide should not be used as installation guidance for any product. Further information is required to safely and correctly install the products featured here. Specific installation guidance will be available on our website fisherpaykel.com



DOOR HINGE - HETTICH K08

Left-hand hinge models are a mirror of version shown.

CUSTOM FRONT PANEL

- A Front panel thickness:** 5/8"-3/4"(16mm-19mm). Drawing shown with 11/16"(18mm) panels.
- B Gap between custom panel and adjacent cabinetry:** Min 3/16"(4mm)
- C Minimum Fisher & Paykel minimal oven handle clearance:** Min 5/8"(16.5mm)
- D Minimum depth of Fisher & Paykel minimal oven handle:** Min 1 5/8"(42mm)

RADIUS REQUIREMENTS

Gap: Minimum 3/16"(4mm)

Panel thickness 5/8"-3/4"(16mm-19mm): Requires minimum R1/16"(R2mm)

Minimum radius prevents clashes with adjacent cabinetry. Panels thicker than 25/32"(20mm) need a larger gap and radius, which might expose internal components.

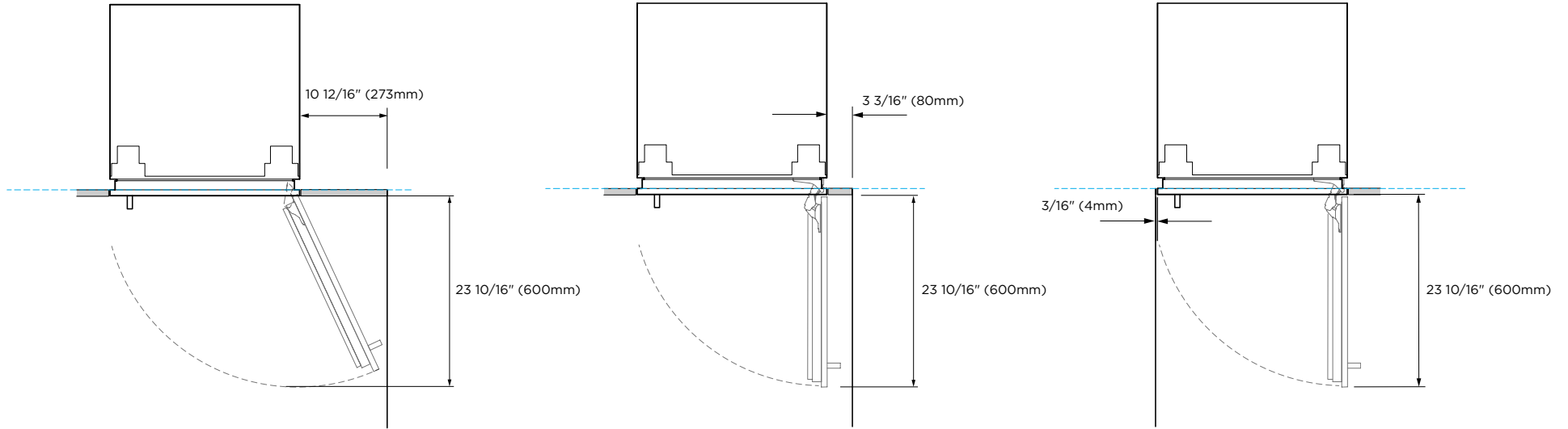
WEIGHT LIMIT

- Custom single panel:** Max 42lbs (19kg)
 - Custom top panel:** Max 21lbs (9.5kg)
 - Custom bottom panel:** Max 20lbs (9kg)
- Note: Door weights includes weight of handle.

TECHNICAL SUPPORT

For additional design planning and installation support please contact the Fisher & Paykel design support team.

designsupport@fisherpaykel.com



FULL INTERNAL ACCESS

115° door opening - full internal access

Minimum dimensions shown are for the contemporary handle AHD5RDSF(B). Custom door panel and handle details need to be taken into account

REDUCED INTERNAL ACCESS

Use hinge limiting pin to restrict door opening to 90° where necessary

Minimum dimensions shown are for the contemporary handle AHD5RDSF(B). Custom door panel and handle details need to be taken into account

REDUCED INTERNAL ACCESS

Use hinge limiting pin to restrict door opening to 90° where necessary

Minimum dimensions shown are for the contemporary handle AHD5RDSF(B). Custom door panel and handle details need to be taken into account

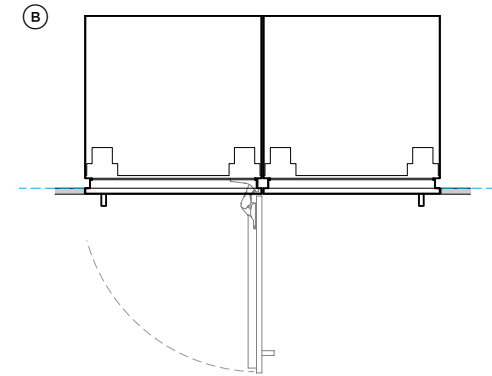
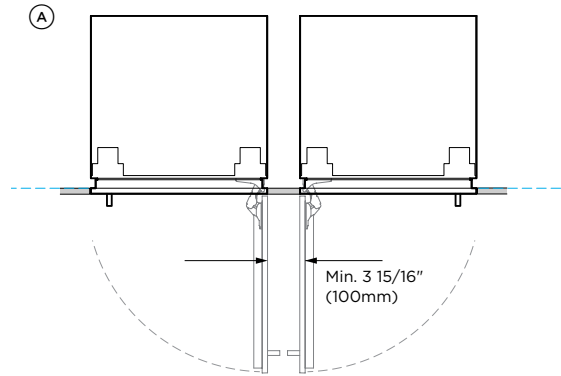
The models shown in this Planning Guide may not be available in all markets and are subject to change at any time. Product specifications may vary from those shown. This Planning Guide should not be used as installation guidance for any product. Further information is required to safely and correctly install the products featured here. Specific installation guidance will be available on our website fisherpaykel.com

HINGE TO HINGE

Ⓐ Both doors open at the same time - requires space between models

Ⓑ Only allows a single door open at a time

Minimum dimensions shown are for the contemporary handle AHD5RDSF(B). Custom door panel and handle details need to be taken into account



ADDITIONAL NOTES

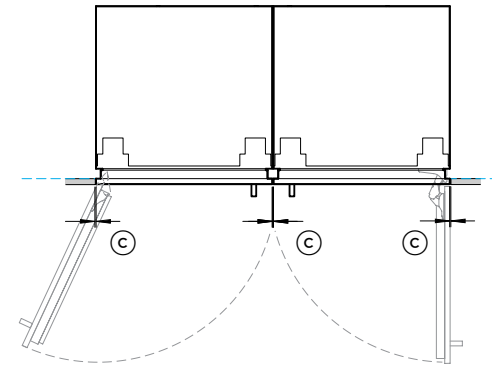
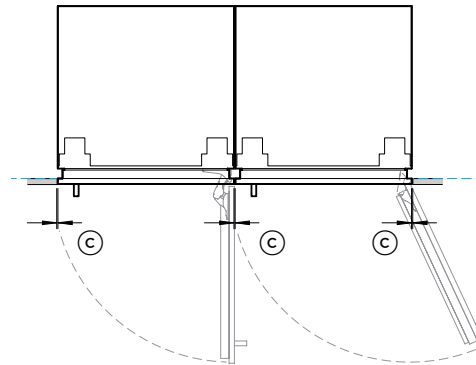
Use hinge limiting pin to restrict door opening to 90° where necessary.

Minimum dimensions shown are for the contemporary handle AHD5RDSF(B). Custom door panel and handle details need to be taken into account.

DUAL INSTALLATION

Ⓒ Stainless steel door panels (gaps equalized during installation) - 3/16" (5mm)

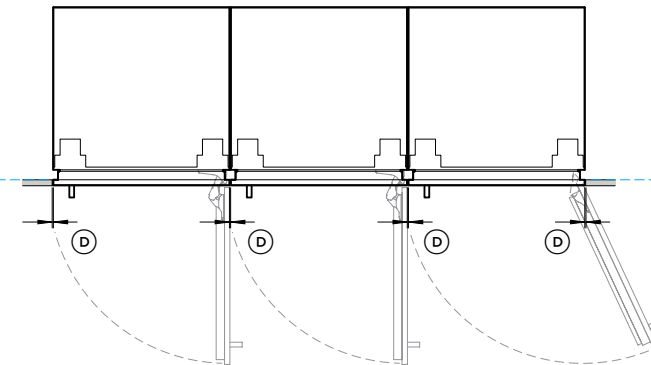
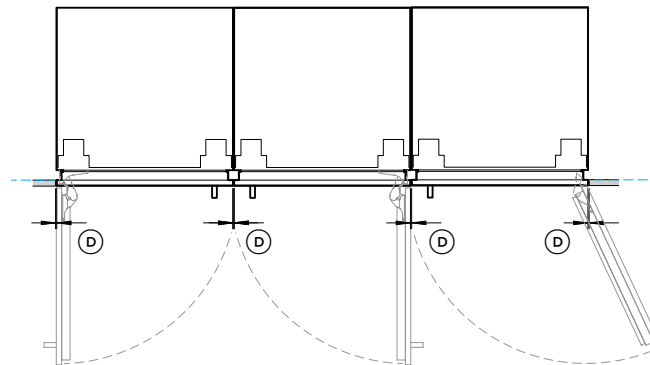
Ⓒ Custom door panels (width of custom door panel increased to maintain 5/32" (4mm) gap across multiple products) - 5/32" (4mm)



TRIPLE INSTALLATION

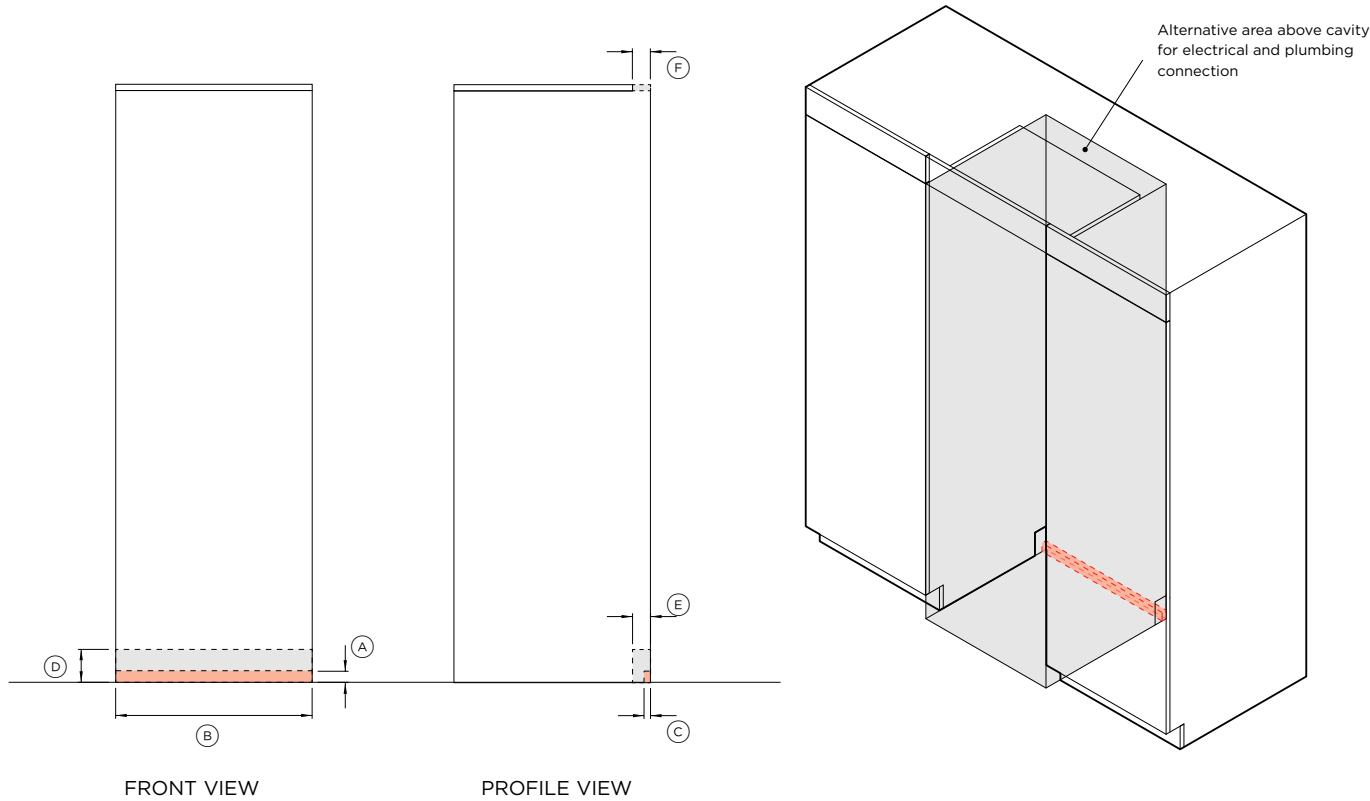
Ⓓ Stainless steel door panels (gaps equalized during installation) - 1/4" (6mm)

Ⓓ Custom door panels (width of custom door panel increased to maintain 5/32" (4mm) gap across multiple products) - 5/32" (4mm)



The models shown in this Planning Guide may not be available in all markets and are subject to change at any time. Product specifications may vary from those shown. This Planning Guide should not be used as installation guidance for any product. Further information is required to safely and correctly install the products featured here. Specific installation guidance will be available on our website fisherpaykel.com

SERVICES



LOCATION

Recommended that services are routed to the adjacent cabinet or either side of the product.

WATER AND ICE

Plumbing is required for models with ice and water.

SERVICE AREA CLEARANCES

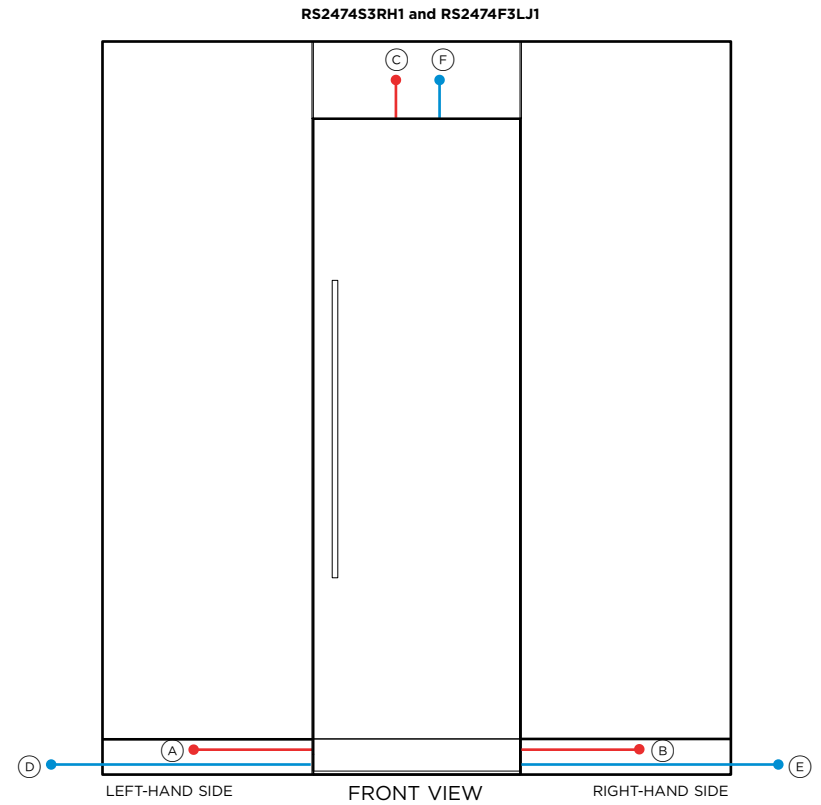
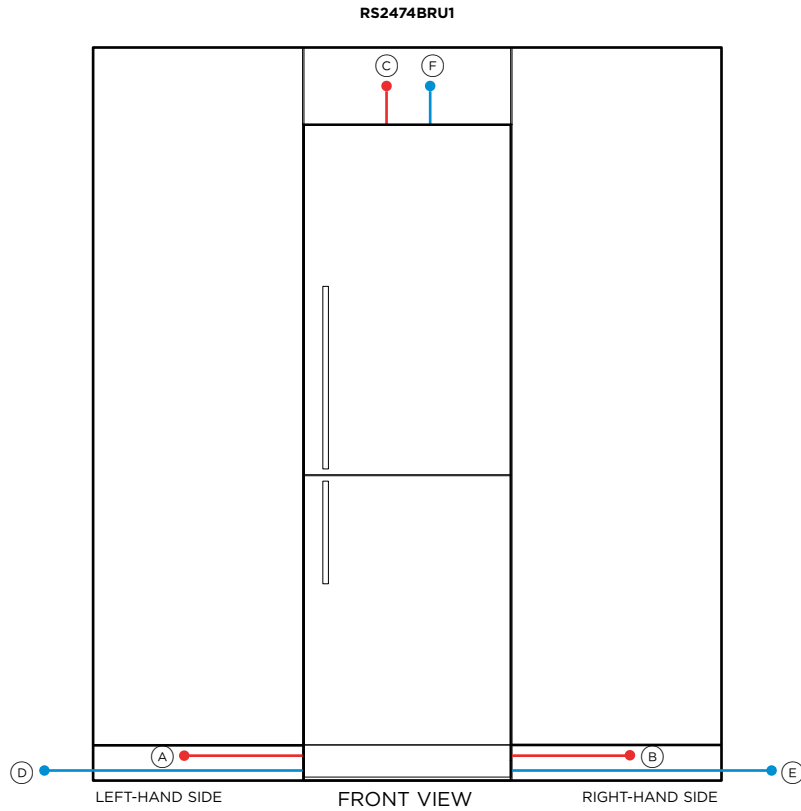
Dimensions	Inch	mm
Ⓐ Overall height of supply routing area at rear of cavity	1 7/16	37
Ⓑ Overall width of supply routing area at rear of cavity	23 5/8	600
Ⓒ Overall depth of supply routing area at rear of cavity	13/16	20
Ⓓ Height of notch at rear of cavity for services to be routed into adjacent cabinet (either side)	3 15/16	100
Ⓔ Depth of notch at rear of cavity for services to be routed into adjacent cabinet (either side)	2 3/16	55
Ⓕ Minimum depth above cavity for services to be routed through	2 3/16	55

Note: Recommended that services are routed to the adjacent cabinet.

ELECTRICAL

Supply	115 V, 60 Hz
Service	10 A
Connection	Flex cord with plug
Plumbing	
Supply	Braided hose, 7/16" x 24 UNS
Pressure	min 40 psi (275 kPa) max 12 psi (827 kPa) @ 68°F (20°C)

The models shown in this Planning Guide may not be available in all markets and are subject to change at any time. Product specifications may vary from those shown. This Planning Guide should not be used as installation guidance for any product. Further information is required to safely and correctly install the products featured here. Specific installation guidance will be available on our website fisherpaykel.com



HOSE AND CORD LENGTHS

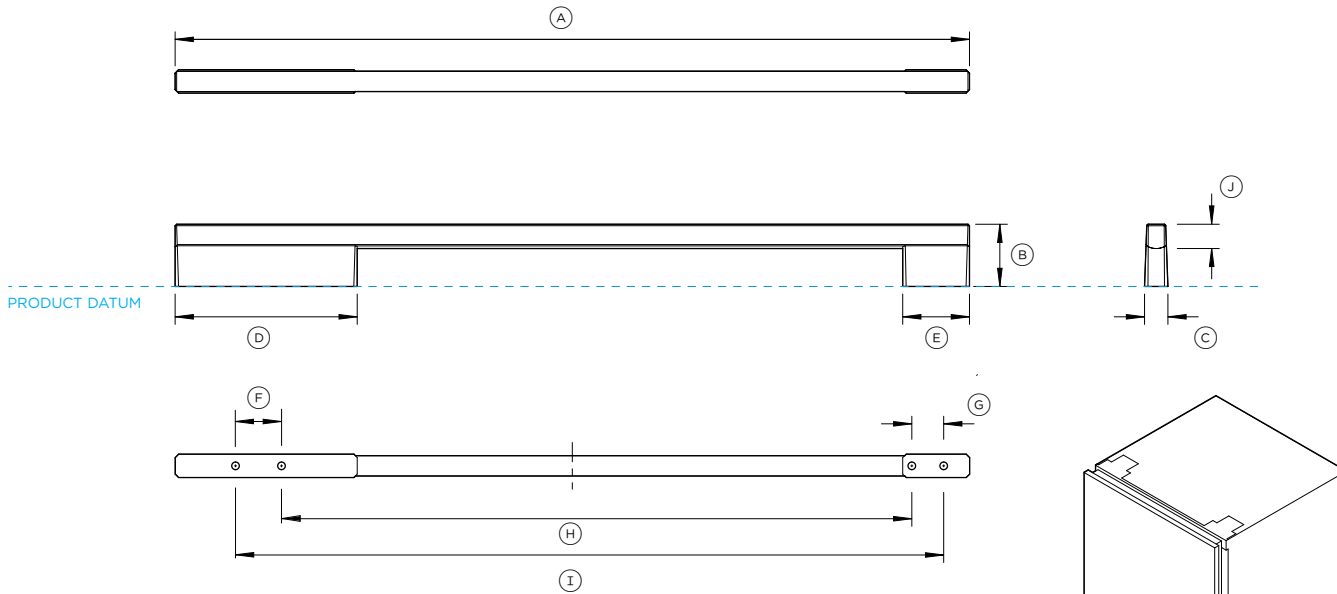
	Inch	mm
Electrical		
Ⓐ Power cord length (from the left edge of the product)*	70 7/8	1800
Ⓑ Power cord length (from the right edge of the product)*	78 3/4	2000
Ⓒ Power cord length (from the top of the product)*	14 15/16	380
Water		
Ⓓ Water inlet hose length (from the left edge of the product)	96 7/16	2450
Ⓔ Water inlet hose length (from the right edge of the product)	78 3/4	2000
Ⓕ Water inlet hose length (from the top of the product)	27 9/16	700

*Excluding plug

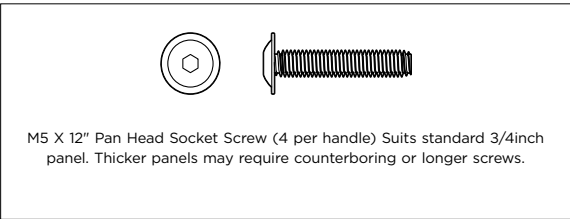
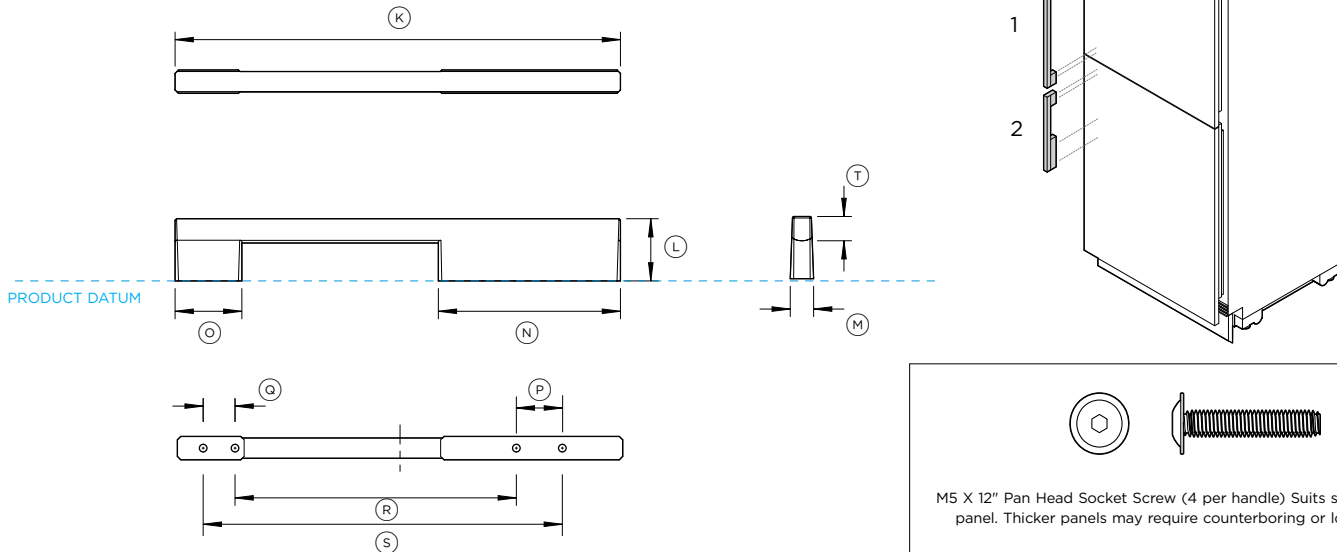
The models shown in this Planning Guide may not be available in all markets and are subject to change at any time. Product specifications may vary from those shown. This Planning Guide should not be used as installation guidance for any product. Further information is required to safely and correctly install the products featured here. Specific installation guidance will be available on our website fisherpaykel.com

HANDLE DATA SHEETS

1 VERTICAL HANDLE TOP DOOR



2 VERTICAL HANDLE BOTTOM DOOR



Model no:

Square Fine Aluminum Handle Kit - AHD5RDB74
 Square Fine Aluminum Handle Black Kit - AHD5RDB74B

For Model:

Integrated Refrigerator Freezer, 24" - RS2474BRU1

1 Vertical Handle Top Door Dimensions

	inch	mm
(A) Overall length of handle	20 5/8	524
(B) Overall height of handle	1 5/8	41
(C) Overall width of handle	5/8	16
(D) Length of off-stand	4 3/4	120
(E) Length of off-stand	1 3/4	44
(F) Distance between attachment holes	1 3/16	30
(G) Distance between attachment holes	13/16	21
(H) Distance between inner attachment holes	15 9/16	395
(I) Distance between outer attachment holes	17 3/16	436
(J) Thickness of handle rail	5/8	16

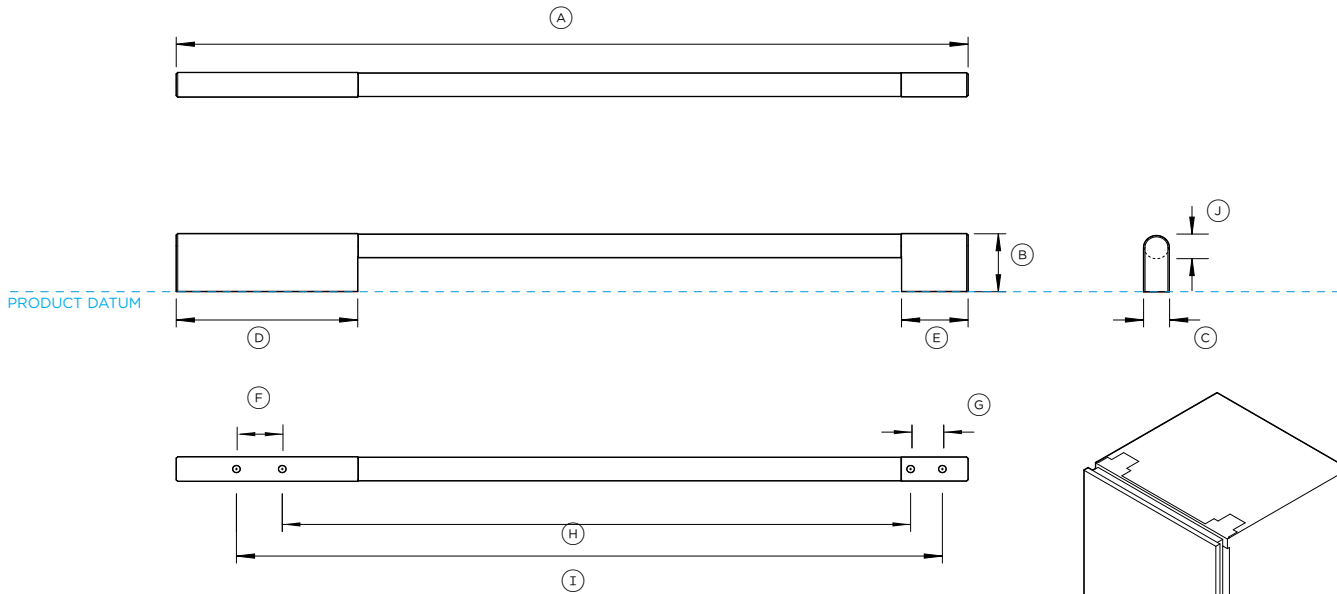
2 Vertical Handle Bottom Door Dimensions

	inch	mm
(K) Overall length of handle	11 9/16	294
(L) Overall height of handle	1 5/8	41
(M) Overall width of handle	5/8	16
(N) Length of off-stand	4 3/4	120
(O) Length of off-stand	1 3/4	44
(P) Distance between attachment holes	1 3/16	30
(Q) Distance between attachment holes	13/16	21
(R) Distance between inner attachment holes	7 1/4	185
(S) Distance between outer attachment holes	9 5/16	237
(T) Thickness of handle rail	5/8	16

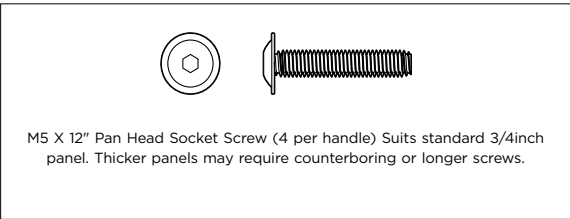
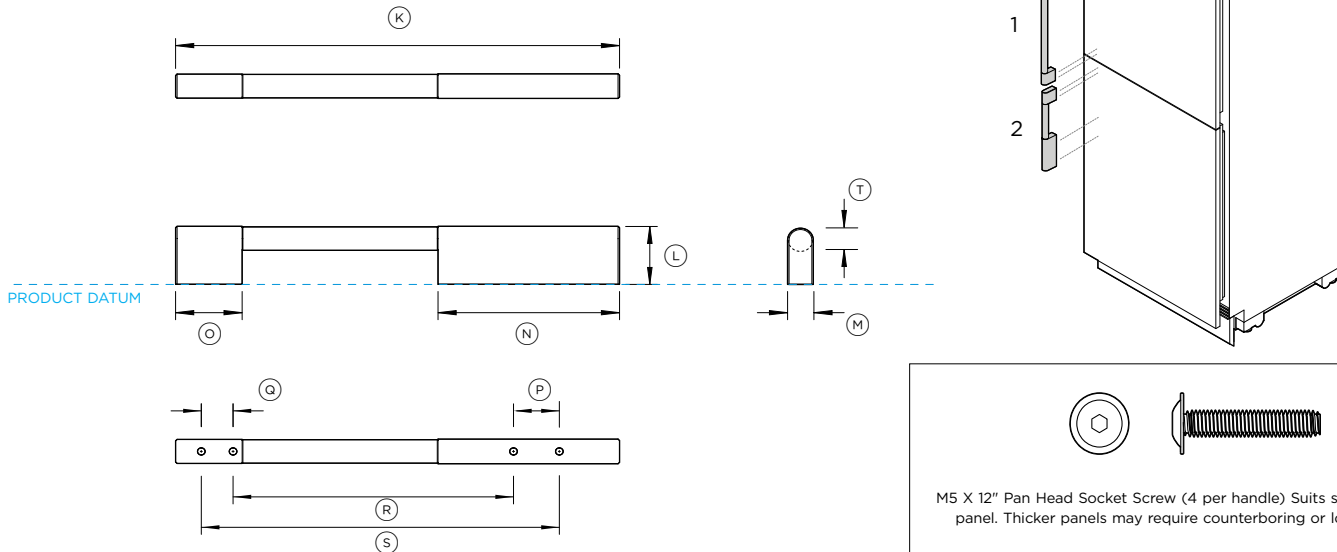
INDICATES PRODUCT DATUM -----
 INDICATES CABINETRY CLEARANCES - - - - -

IMPORTANT NOTE: Throughout this guide, dimensions may vary by ±2mm (1/16"). Please read the Installation Guide for detailed information on installing the product. For full installation instructions visit fisherpaykel.com

1 VERTICAL HANDLE TOP DOOR



2 VERTICAL HANDLE BOTTOM DOOR



Model no:

Round Handle Kit - AHSRDB74

For Model:

Integrated Refrigerator Freezer, 24" - RS2474BRU1

1 Vertical Handle Top Door Dimensions

	inch	mm
Ⓐ Overall length of handle	20 5/8	524
Ⓑ Overall height of handle	1 5/8	41
Ⓒ Overall width of handle	11/16	17
Ⓓ Length of off-stand	4 3/4	120
Ⓔ Length of off-stand	1 3/4	44
Ⓕ Distance between attachment holes	1 3/16	30
Ⓖ Distance between attachment holes	13/16	21
Ⓜ Distance between inner attachment holes	16 5/16	415
Ⓣ Distance between outer attachment holes	18 3/8	467
Ⓚ Thickness of handle rail	11/16	17

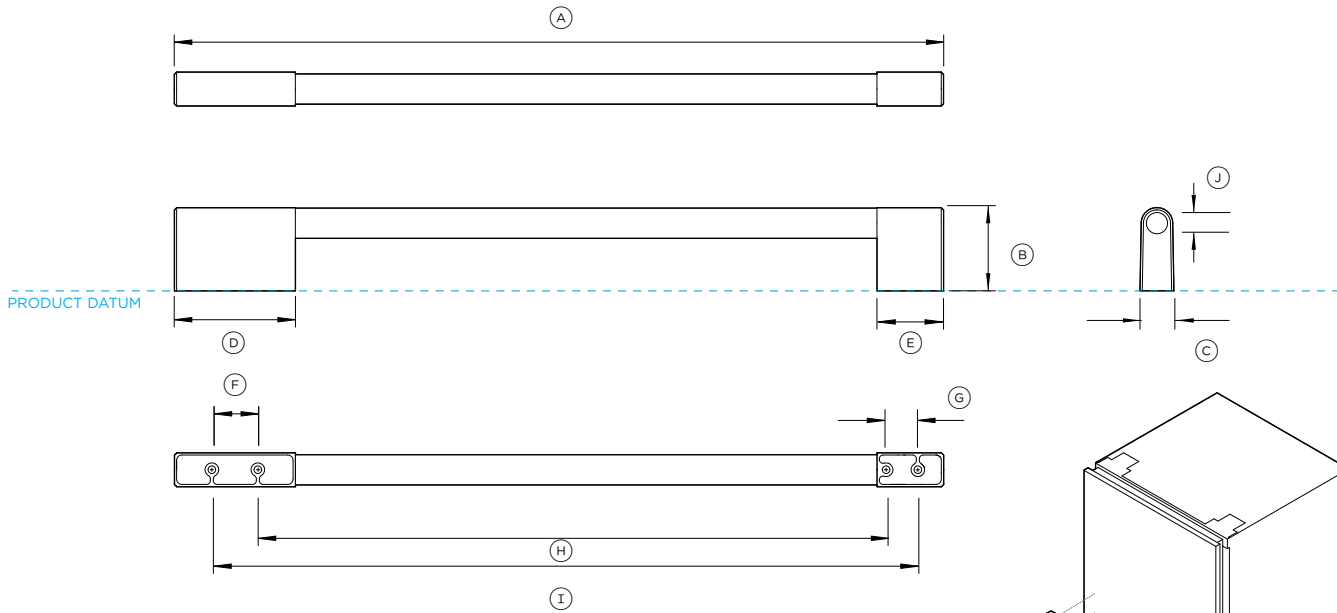
2 Vertical Handle Bottom Door Dimensions

	inch	mm
Ⓚ Overall length of handle	11 9/16	294
Ⓛ Overall height of handle	1 5/8	41
Ⓜ Overall width of handle	11/16	17
Ⓝ Length of off-stand	4 3/4	120
Ⓓ Length of off-stand	1 3/4	44
Ⓕ Distance between attachment holes	1 3/16	30
Ⓖ Distance between attachment holes	13/16	21
Ⓜ Distance between inner attachment holes	7 1/4	185
Ⓣ Distance between outer attachment holes	9 5/16	237
Ⓚ Thickness of handle rail	11/16	17

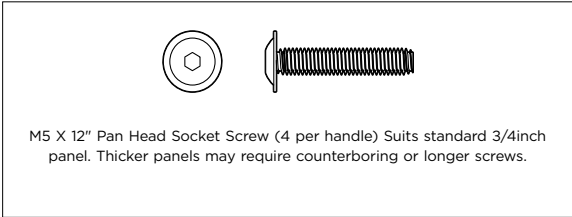
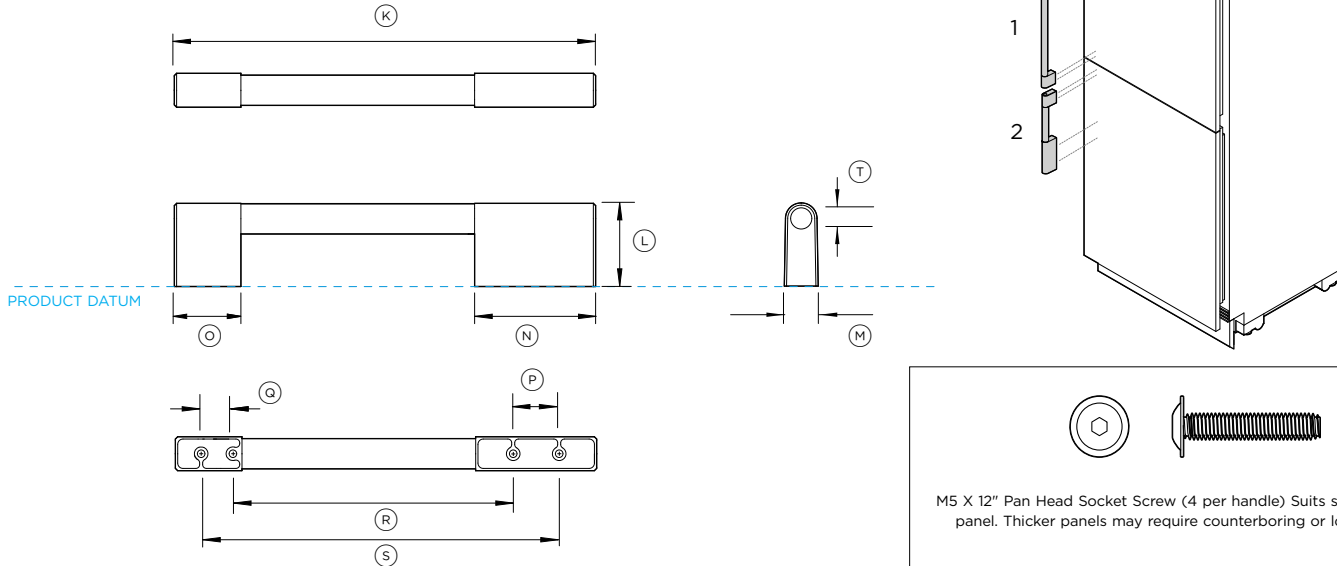
INDICATES PRODUCT DATUM -----
 INDICATES CABINETRY CLEARANCES - - - - -

IMPORTANT NOTE: Throughout this guide, dimensions may vary by ±2mm (1/16"). Please read the Installation Guide for detailed information on installing the product. For full installation instructions visit fisherpaykel.com

1 VERTICAL HANDLE TOP DOOR



2 VERTICAL HANDLE BOTTOM DOOR



Model no:

Classic Handle Kit- AHCLRDB

For Model:

Integrated Refrigerator Freezer, 24" - RS2474BRU1

1 Vertical Handle Top Door Dimensions

	inch	mm
Ⓐ Overall length of handle	20 5/8	524
Ⓑ Overall height of handle	2 3/16	55
Ⓒ Overall width of handle	7/8	22
Ⓓ Length of off-stand	3 1/8	80
Ⓔ Length of off-stand	1 3/4	44
Ⓕ Distance between attachment holes	1 3/16	30
Ⓖ Distance between attachment holes	13/16	21
Ⓗ Distance between inner attachment holes	16 5/16	415
Ⓘ Distance between outer attachment holes	18 3/8	467
Ⓛ Thickness of handle rail	13/16	20

2 Vertical Handle Bottom Door Dimensions

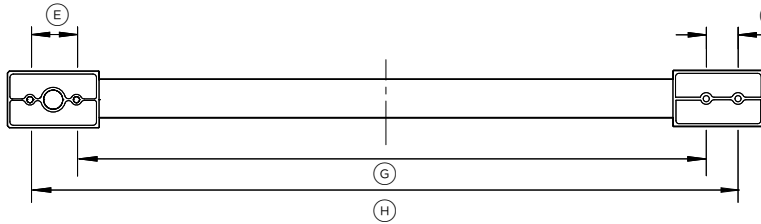
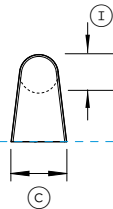
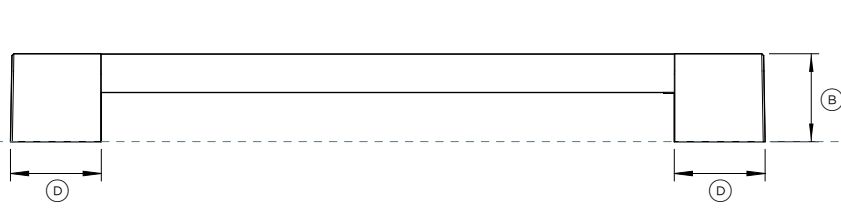
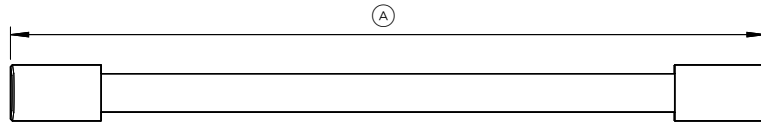
	inch	mm
Ⓚ Overall length of handle	11 9/16	294
Ⓛ Overall height of handle	2 3/16	55
Ⓜ Overall width of handle	7/8	22
Ⓝ Length of off-stand	3 1/8	80
Ⓞ Length of off-stand	1 3/4	44
Ⓟ Distance between attachment holes	1 3/16	30
Ⓢ Distance between attachment holes	13/16	21
Ⓡ Distance between inner attachment holes	7 1/4	185
Ⓣ Distance between outer attachment holes	9 5/16	237
Ⓡ Thickness of handle rail	13/16	20

INDICATES PRODUCT DATUM -----

INDICATES CABINETRY CLEARANCES - - - - -

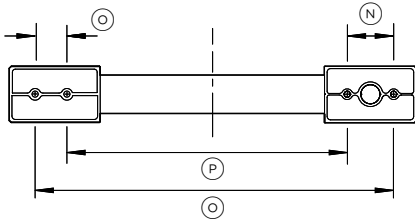
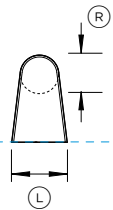
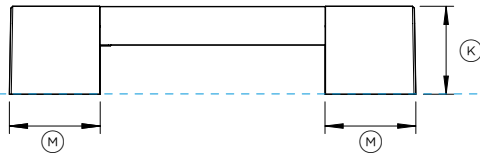
IMPORTANT NOTE: Throughout this guide, dimensions may vary by ±2mm (1/16"). Please read the Installation Guide for detailed information on installing the product. For full installation instructions visit fisherpaykel.com

1 VERTICAL HANDLE TOP DOOR

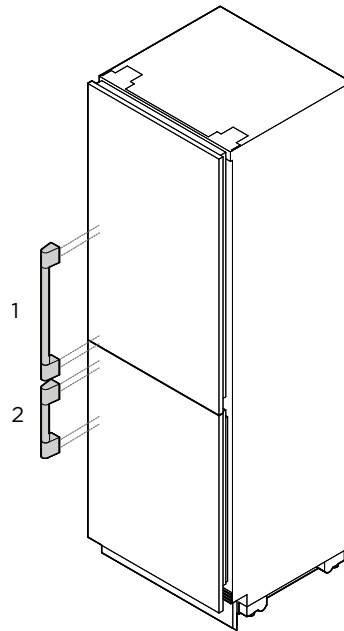


PRODUCT DATUM

2 VERTICAL HANDLE BOTTOM DOOR



PRODUCT DATUM



M5 X 12" Pan Head Socket Screw (4 per handle) Suits standard 3/4inch panel. Thicker panels may require counterboring or longer screws.

Model no:

Professional Handle Kit - AHP3RDB74

For Model:

Integrated Refrigerator Freezer, 24" - RS2474BRU1

1 Vertical Handle Top Door Dimensions

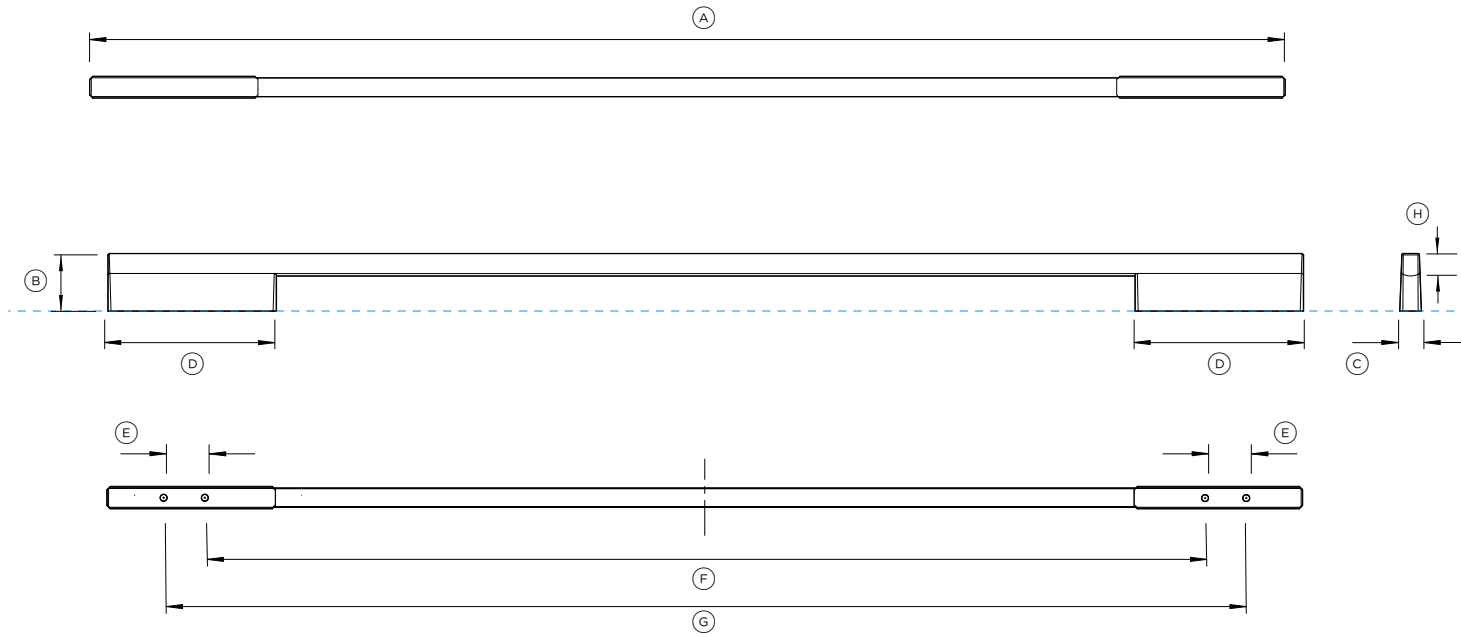
	inch	mm
Ⓐ Overall length of handle	19 5/8	499
Ⓑ Overall height of handle	2 1/4	58
Ⓒ Overall width of handle	1 7/16	37
Ⓓ Length of off-stand	2 3/8	60
Ⓔ Distance between attachment holes	1 3/16	30
Ⓕ Distance between attachment holes	13/16	21
Ⓖ Distance between inner attachment holes	16 5/16	415
Ⓗ Distance between outer attachment holes	18 3/8	467
Ⓘ Thickness of handle rail	1	25

2 Vertical Handle Bottom Door Dimensions

	inch	mm
Ⓜ Overall length of handle	10 9/16	269
Ⓨ Overall height of handle	2 1/4	58
Ⓦ Overall width of handle	1 7/16	37
Ⓩ Length of off-stand	2 3/8	60
Ⓩ Distance between attachment holes	1 3/16	30
ⓐ Distance between attachment holes	13/16	21
ⓑ Distance between inner attachment holes	7 1/4	185
ⓓ Distance between outer attachment holes	9 5/16	237
ⓔ Thickness of handle rail	1	25

INDICATES PRODUCT DATUM -----
 INDICATES CABINETRY CLEARANCES - - - - -

IMPORTANT NOTE: Throughout this guide, dimensions may vary by ±2mm (1/16"). Please read the Installation Guide for detailed information on installing the product. For full installation instructions visit fisherpaykel.com



Model no:

Square Fine Aluminum Handle - AHD5RDSF
 Square Fine Aluminum Handle Black - AHD5RDSFB

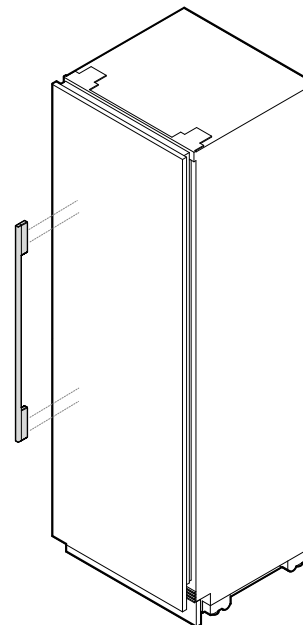
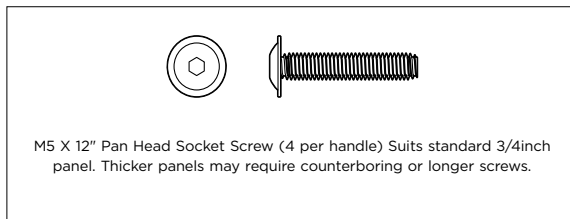
For Model:

Integrated Refrigerator - RS2474S3RH1

Integrated Freezer - RS2474F3LJ1

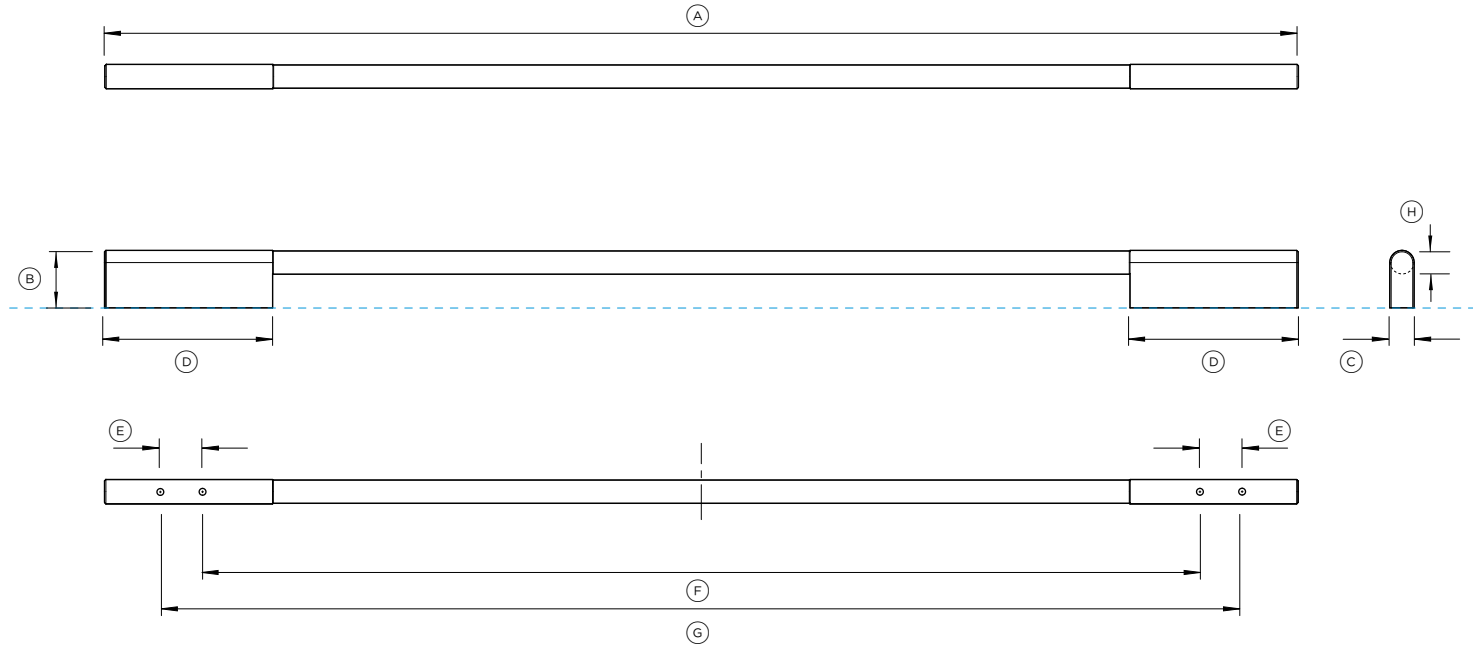
Handle Dimensions

	inch	mm
A Overall length of handle	33 9/16	852
B Overall height of handle	1 5/8	41
C Overall width of handle	9/16	15
D Length of off-stand	4 3/4	120
E Distance between attachment holes	1 3/16	30
F Distance between inner attachment holes	28	712
G Distance between outer attachment holes	30 7/16	773
H Thickness of handle rail	5/8	16



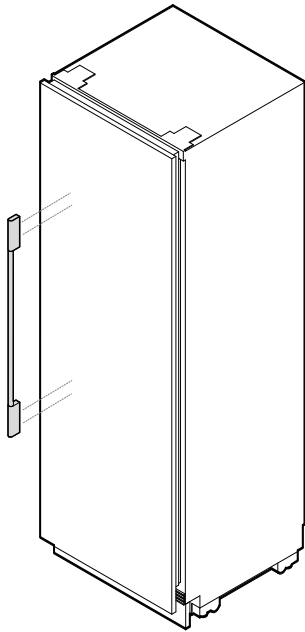
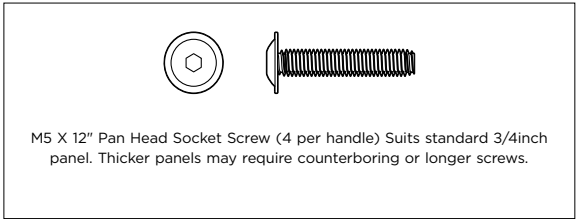
INDICATES PRODUCT DATUM -----
 INDICATES CABINETRY CLEARANCES -----

IMPORTANT NOTE: Throughout this guide, dimensions may vary by ±2mm (1/16"). Please read the Installation Guide for detailed information on installing the product. For full installation instructions visit fisherpaykel.com



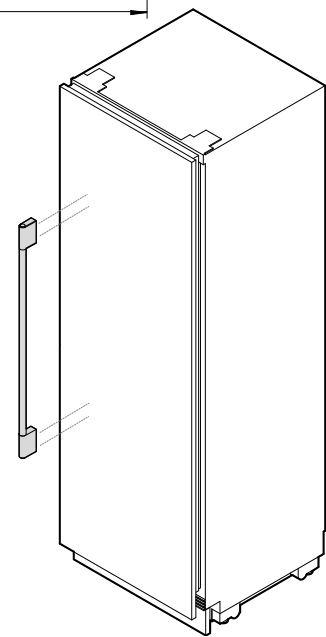
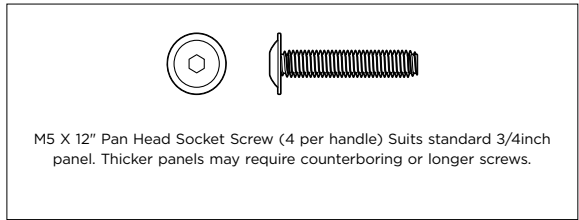
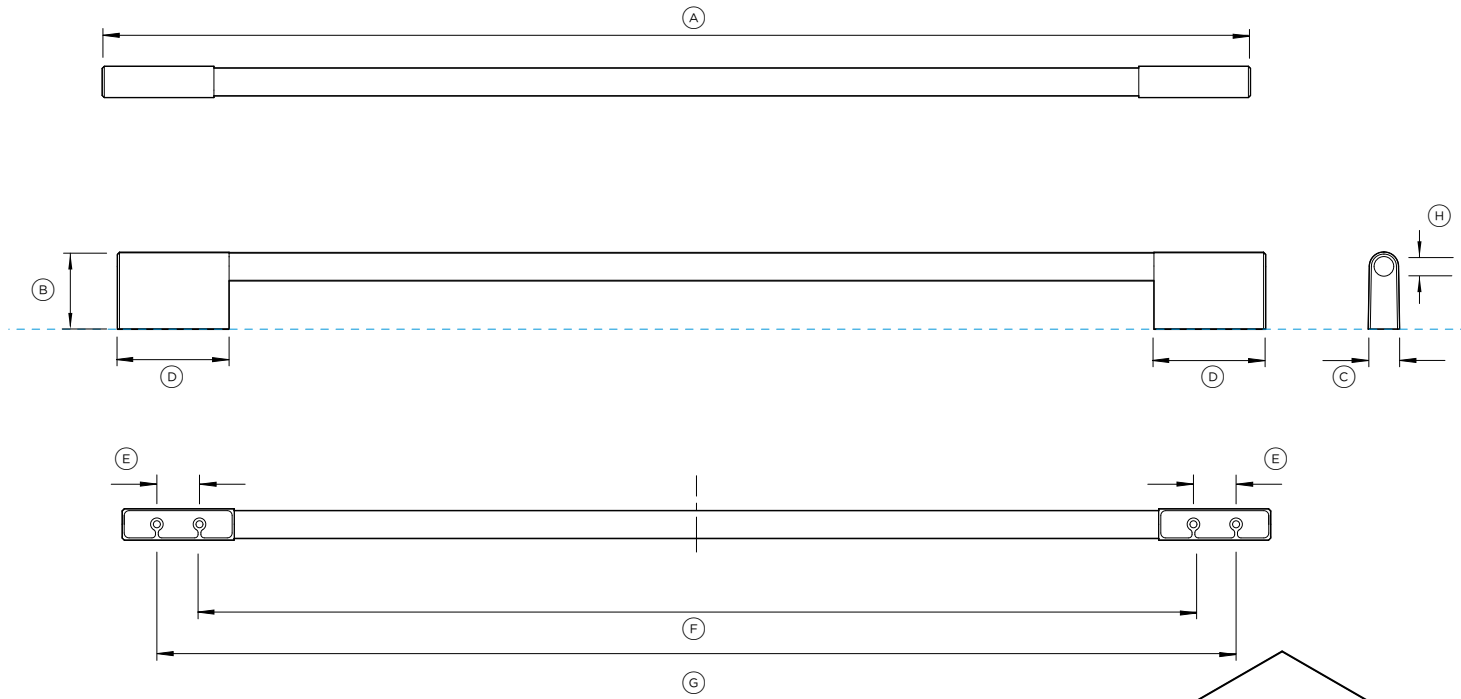
Model no:
 Round Handle - AHCLRDB
 For Model:
 Integrated Refrigerator - RS2474S3RH1
 Integrated Freezer - RS2474F3LJ1

Handle Dimensions	inch	mm
A Overall length of handle	33 9/16	852
B Overall height of handle	1 5/8	41
C Overall width of handle	11/16	17
D Length of off-stand	4 3/4	120
E Distance between attachment holes	1 3/16	30
F Distance between inner attachment holes	28	712
G Distance between outer attachment holes	30 7/16	773
H Thickness of handle rail	11/16	17



INDICATES PRODUCT DATUM -----
 INDICATES CABINETRY CLEARANCES -----

IMPORTANT NOTE: Throughout this guide, dimensions may vary by ±2mm (1/16"). Please read the Installation Guide for detailed information on installing the product. For full installation instructions visit fisherpaykel.com

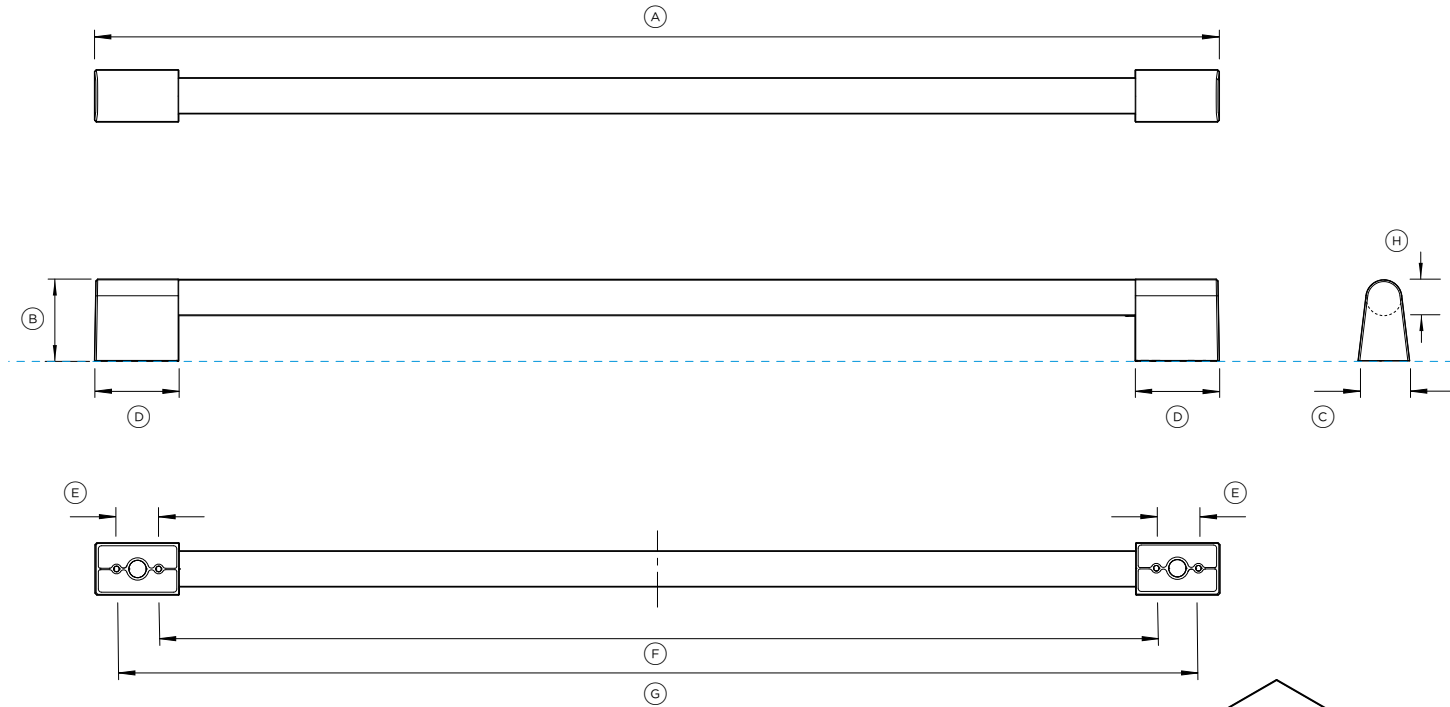


Model no:
 Classic Handle - AHCLRDSF
 For Model:
 Integrated Refrigerator - RS2474S3RH1
 Integrated Freezer - RS2474F3LJ1

Handle Dimensions	inch	mm
A Overall length of handle	33 9/16	852
B Overall height of handle	2 3/16	55
C Overall width of handle	7/8	22
D Length of off-stand	3 1/8	80
E Distance between attachment holes	1 3/16	30
F Distance between inner attachment holes	28	712
G Distance between outer attachment holes	30 7/16	773
H Thickness of handle rail	13/16	20

INDICATES PRODUCT DATUM -----
 INDICATES CABINETRY CLEARANCES -----

IMPORTANT NOTE: Throughout this guide, dimensions may vary by ±2mm (1/16"). Please read the Installation Guide for detailed information on installing the product. For full installation instructions visit fisherpaykel.com



Model no:

Professional Handle - AHP3RDSF

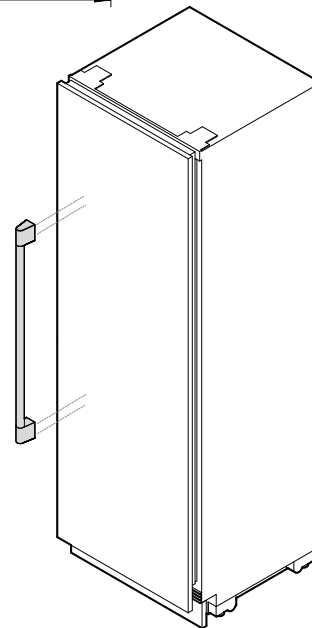
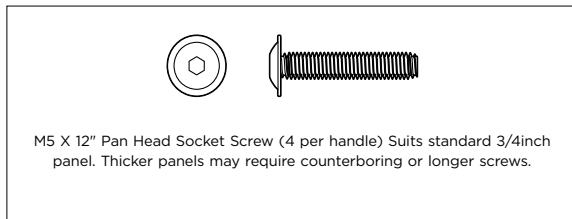
For Model:

Integrated Refrigerator - RS2474S3RH1

Integrated Freezer - RS2474F3LJ1

Handle Dimensions

	inch	mm
Ⓐ Overall length of handle	31 9/16	802
Ⓑ Overall height of handle	2 1/4	58
Ⓒ Overall width of handle	1 7/16	37
Ⓓ Length of off-stand	2 3/8	60
Ⓔ Distance between attachment holes	1 3/16	30
Ⓕ Distance between inner attachment holes	28	712
Ⓖ Distance between outer attachment holes	30 7/16	773
ⓓ Thickness of handle rail	1	25



INDICATES PRODUCT DATUM -----
 INDICATES CABINETRY CLEARANCES -----

IMPORTANT NOTE: Throughout this guide, dimensions may vary by ±2mm (1/16"). Please read the Installation Guide for detailed information on installing the product. For full installation instructions visit fisherpaykel.com

