

# Series 9, Contemporary Tall Single DishDrawer Dishwasher

Series 9 | Contemporary

Black Stainless Steel

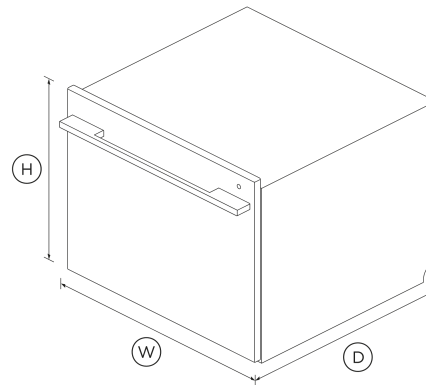


Created with extra height for large dishes and designed to be placed anywhere in your kitchen, for loading dishes with less bending.

- With extra height for taller dishes, and customisable internal shelving
- Six wash programs, as well as additional Quick wash, Sanitise and Extra Dry options

## DIMENSIONS

Height	478 mm
Width	599 mm
Depth	573 mm



## FEATURES & BENEFITS

### Ease Of Use

DishDrawer™ Dishwashers are easy to open and close and can be positioned at bench height for effortless loading and minimal bending. Flexible racking allows you to make adjustments to fit in all kinds of dishes.

### Quick, Sanitize And Extra Dry Options

The Quick wash modifier delivers a faster wash while maintaining performance. The Sanitise option provides extra protection killing 99.9% of bacteria in the final rinse. The Extra Dry setting is perfect for plastic dishes.

### Quiet Performer

Running at a very low decibel rate, these DishDrawer™ Dishwashers do their job without making a fuss. The combination of intelligent technology and simple mechanics means greater reliability and excellent wash performance.

### Beauty Of Choice

As much a design component as a high performance appliance, the black DishDrawer™ Dishwasher brings a touch of sophistication to your kitchen, on its own or part of a matching kitchen appliance set.

## SPECIFICATIONS

### Accessories (included)

Cutlery basket	•
Kickstrip	true
Knife clip and multipurpose clip	•

### Capacity and loading

Accommodates round plates up to	310mm
Adjustable height, foldable cupracks	•
Fold down tines	•
Pitch adjustable tines	•
Place settings	7

### Consumption

Energy rating	<b>3.5 star</b>
Energy usage	<b>136kWh/year</b>
In-use energy carbon emissions estimate	<b>18.4kgCO<sub>2</sub>e/year</b>
Water consumption (per wash cycle)	<b>6.9L</b>
Water rating	<b>4.5 star (WELS)</b>

Supply voltage **220 - 240V**

Water pressure **30kPa - 1000 kPa**

Water supply **3/4" BSP (20mm) Connector Water Inlet Hose**

**Product dimensions**

Depth	<b>573 mm</b>
Height	<b>478 mm</b>
Width	<b>599 mm</b>

SKU **82327**

**Controls**

- End of cycle beeps •
- Energy saving delay start option of up to 12 hours •
- Internal wash selector •
- Keylock •
- Rinse aid indicator light •
- Smart appliance •

**Warranty**

Parts and labour **2 years**

**Wash Program Modifiers**

- Extra Dry •
- Quick •
- Sanitise •
- Wash modifiers **3**

**Wash Programs**

- Delicate •
- Eco •
- Fast •
- Heavy •
- Medium •
- Rinse •
- Wash programs **6**

**Features**

- Fan assisted drying •
- Flood protection •
- Flow through detergent dispenser •
- Quiet operation •
- SmartDrive™ technology •

**Performance**

Noise emissions **42 dBA**

**Power requirements**

Amperage **5A**  
Supply frequency **50Hz**

**Water connection**

The product dimensions and specifications in this page apply to the specific product and model. Under our policy of continuous improvement, these dimensions and specifications may change at any time. You should therefore check with Fisher & Paykel's Customer Care Centre to ensure this page correctly describes the model currently available. © Fisher & Paykel Appliances Ltd 2020

**Other product downloads available at fisherpaykel.com**

- [↓](#) Energy and Water Label
- [↓](#) Service & Warranty
- [↓](#) Installation Guide Single DishDrawer™ Dishwasher
- [↓](#) Installation Guide Single DishDrawer™ Dishwasher
- [↓](#) Quick Start Guide DishDrawer™ Dishwasher EN
- [↓](#) Revit Single DishDrawer™ Dishwasher
- [↓](#) Rhino Single DishDrawer™ Dishwasher
- [↓](#) Sketchup Single DishDrawer™ Dishwasher
- [↓](#) User Guide DishDrawer™ Dishwasher
- [↓](#) Wash Program Data ASNZS DishDrawer™ Dishwasher

**Where applicable:**

All appliances use energy, and energy usage typically generates carbon emissions. **Fisher & Paykel Appliances' In-use Energy Carbon Emissions Estimate** indicates carbon emissions from a product's in-use energy. This is calculated either annually or per cycle, using the product's market-specific energy label energy consumption data multiplied by the carbon emissions factor for energy in your country or region.

Our In-use Energy Carbon Emissions Estimate is designed to assist customers in making informed purchasing decisions when comparing different Fisher & Paykel products. For example, a heat pump dryer typically has a lower In-use Energy Carbon Emissions Estimate than a vented dryer.



**A PEACE OF MIND SALE**  
24 Hours 7 Days a Week Customer Support  
T 0800 372 273 W [www.fisherpaykel.com](http://www.fisherpaykel.com)