

**30" BUILT-IN OVENS AND COMPANIONS
MINIMAL**

PLANNING GUIDE

SERIES 9 & 11

OVEN | OB30SDPTDB1 | OB30SDPTB1

STEAM OVEN | OS30SDTDB1, OS30NDTDB1

SPEED OVEN | OM30NDTDB1

BUILT-IN COFFEE MAKER | EB24DSXBB1

TRIM KIT | TK30NDBB1

WARMING DRAWER | WB30SDB1-SET

VACUUM SEAL DRAWER | VB30SDB1-SET

FISHER & PAYKEL

This comprehensive Planning Guide provides you with the framework and tools to achieve your desired design outcome with Fisher & Paykel appliances. In this guide, you will find a range of conceptual, detailed and dimensional product information to bring your ideas to life and create spaces that truly reflect your vision.

CONTENTS

CONCEPT DESIGN	PAGE	DEVELOPED AND DETAILED DESIGN	PAGE	DEVELOPED AND DETAILED DESIGN	PAGE
Design Choices		Data Sheets		Planning Considerations	
Ovens and Companions - ALL MODELS	4	Oven	18	Cabinetry Preparation - ALL MODELS	26
Configurations - ALL MODELS	5	Combination Steam Oven	19	Configurations - ALL MODELS	27
Overview - ALL MODELS	6	Built-in Coffee Maker with Trim Kit	20	Oven	28
		Combination Steam Oven	21	Combination Steam Oven	29
Specification Guides		Convection Speed Oven	22	Built-in Coffee Maker with Trim Kit	30
Oven	8	Warming Drawer	23	Combination Steam Oven	31
Combination Steam Oven	9	Vacuum Seal Drawer	24	Convection Speed Oven	32
Built-in Coffee Maker with Trim Kit	10			Warming Drawer	33
Combination Steam Oven	11			Vacuum Seal Drawer	34
Convection Speed Oven	12				
Warming Drawer	13			Services	
Vacuum Seal Drawer	14			Power Cord Length and Location - COMPANIONS	36
Dimensions - ALL MODELS	15			Power Cord Length and Location - OVENS	37
Power, Weight and Capacity - ALL MODELS	16				

The models shown in this Planning Guide may not be available in all markets and are subject to change at any time. Product specifications may vary from those shown. This Planning Guide should not be used as installation guidance for any product. Further information is required to safely and correctly install the products featured here. Specific installation guidance will be available on our website fisherpaykel.com

DESIGN CHOICES

COLOUR

OVENS

COMPANIONS

INSTALLATION OPTIONS

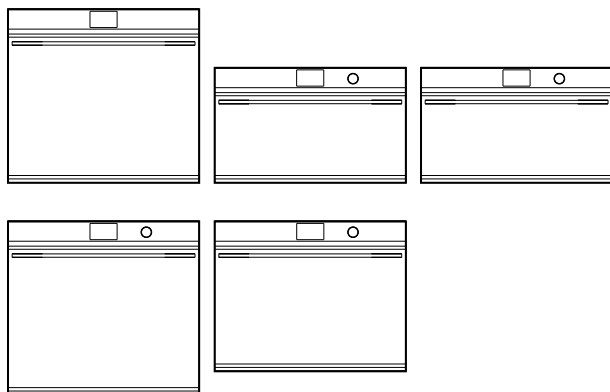


BLACK

OVEN

COMBINATION STEAM

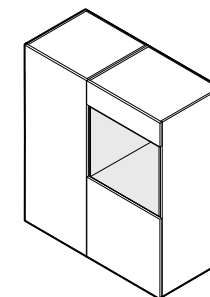
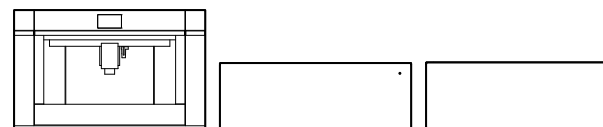
CONVECTION SPEED



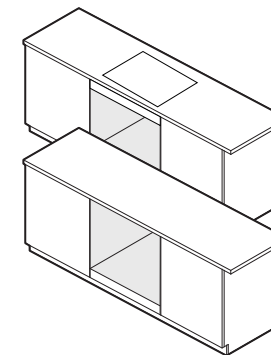
BUILT-IN COFFEE MAKER

WARMING DRAWER

VACUUM SEAL DRAWER



INSTALLATION IN WALL

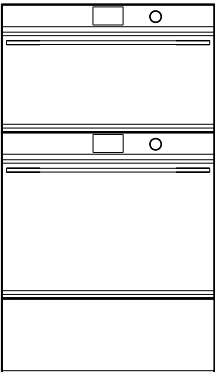


INSTALLATION UNDER-BENCH

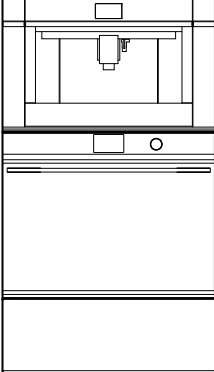
The models shown in this Planning Guide may not be available in all markets and are subject to change at any time. Product specifications may vary from those shown. This Planning Guide should not be used as installation guidance for any product. Further information is required to safely and correctly install the products featured here. Specific installation guidance will be available on our website fisherpaykel.com

STACKED INSTALLATION

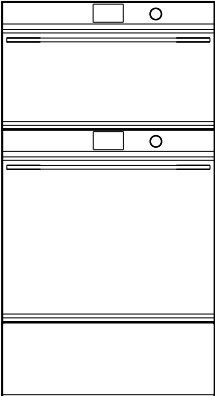
Stack Height
52 13/32" (1331mm)



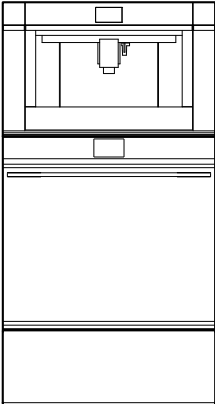
Stack Height
53 3/16" (1351mm)



Stack Height
56 1/32" (1423mm)

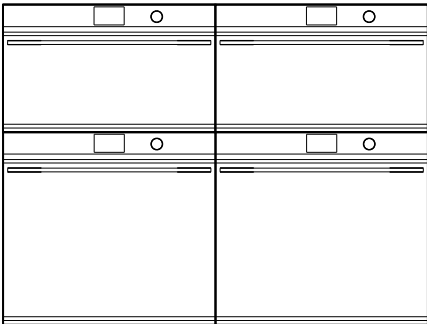


Stack Height
56 13/16" (1443mm)



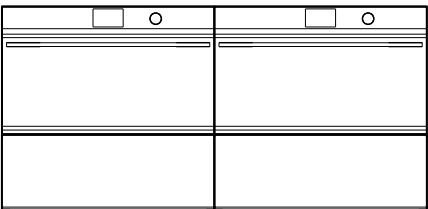
GRID INSTALLATION

Stack Height
45 11/32" (1152mm)

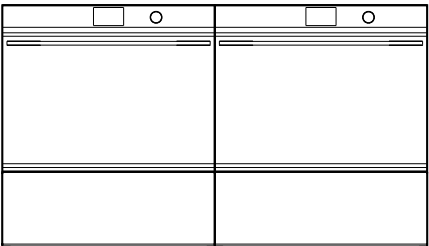


ROW INSTALLATION

Stack Height
26 21/32" (677mm)



Stack Height
28 25/32" (731mm)

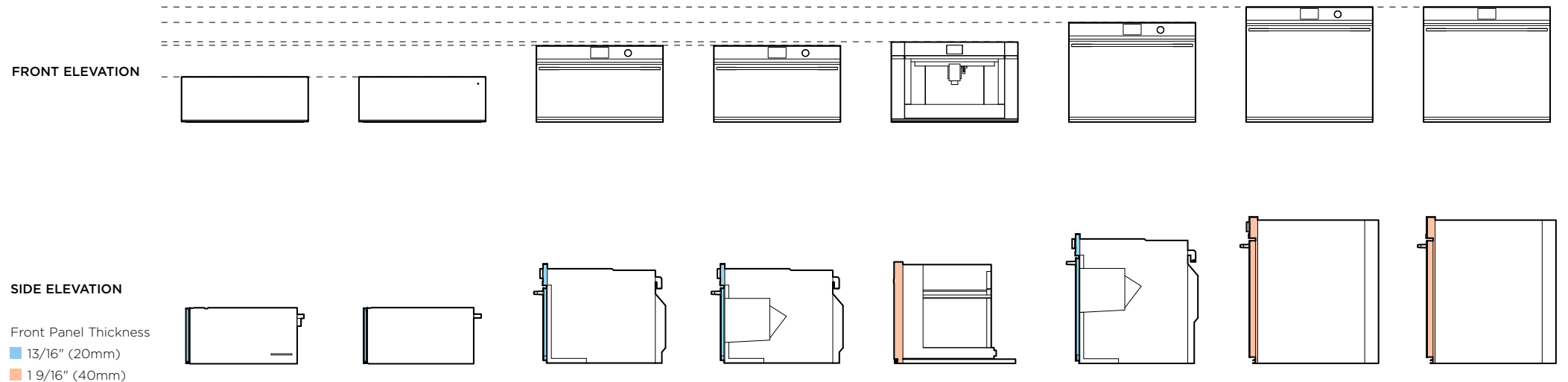


CONSIDERATIONS

Different configurations possible, consider heights for row and grid installations.

Note: Stack Height is overall product height with minimum clearance above appliance front panel to upper cabinetry front panel or appliance.

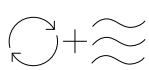
The models shown in this Planning Guide may not be available in all markets and are subject to change at any time. Product specifications may vary from those shown. This Planning Guide should not be used as installation guidance for any product. Further information is required to safely and correctly install the products featured here. Specific installation guidance will be available on our website fisherpaykel.com



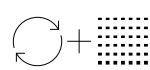
WARMING DRAWER



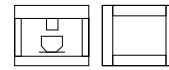
VACUUM SEAL DRAWER



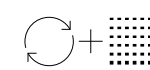
COMBINATION STEAM OVEN



CONVECTION SPEED OVEN



BUILT-IN COFFEE MAKER WITH TRIM KIT



COMBINATION STEAM OVEN



OVEN



OVEN

	WARMING DRAWER	VACUUM SEAL DRAWER	COMBINATION STEAM OVEN	CONVECTION SPEED OVEN	BUILT-IN COFFEE MAKER WITH TRIM KIT	COMBINATION STEAM OVEN	OVEN	OVEN
Series	Series 9	Series 9	Series 9	Series 9	Series 9	Series 11	Series 9	Series 9
Model Code	WB30SDB1-SET	VB30SDB1-SET	OS30NDTDB1	OM30NDTDB1	EB24DSXBB1 (TK30NDBB1)	OS30SDTDB1	OB30SDPTDB1	OB30SDPTB1
Interface	-	-	5" Touchscreen, Dial Control	5" Touchscreen, Dial Control	4.3" Touchscreen	5" Touchscreen, Dial Control	5" Touchscreen, Dial Control	5" Touchscreen
Height	10 11/16" (271mm)	10 11/16" (271mm)	18" (458mm)	18" (458mm)	18 13/16" (478mm)	23 9/16" (598mm)	27 3/16" (690mm)	27 3/16" (690mm)
Front Panel Thickness	13/16" (20mm)	13/16" (20mm)	13/16" (20mm)	13/16" (20mm)	1 9/16" (40mm)	13/16" (20mm)	1 9/16" (40mm)	1 9/16" (40mm)

The models shown in this Planning Guide may not be available in all markets and are subject to change at any time. Product specifications may vary from those shown. This Planning Guide should not be used as installation guidance for any product. Further information is required to safely and correctly install the products featured here. Specific installation guidance will be available on our website fisherpaykel.com

SPECIFICATION GUIDE

SERIES 9 & 11



Oven OB30SDPTDB1 with Dial Controls



Oven OB30SDPTB1

OVERVIEW

Enhance your kitchen design with the 30" Oven. Refined styling means it matches seamlessly with our Minimal kitchen appliances to create a coherent, considered look and feel. Intuitive controls and the performance to deliver perfect results make this oven beautiful to use.

PRODUCTS

OB30SDPTDB1

Built-In Oven, 30", 17 Function, 4.1 cu ft, Dial Controls, Touchscreen

OB30SDPTB1

Built-In Oven, 30", 17 Function, 4.1 cu ft, Touchscreen

SERIES & STYLE

Series 9

Minimal

FEATURES

- ① Designed to fit flush with cabinetry
- ② Styled to perfectly match our Minimal kitchen appliances
- ③ Generous 4.1cu ft total capacity
- ④ High-resolution, user-friendly touch display
- ⑤ Guided cooking and recipes
- ⑥ Perfect results from a variety of oven functions
- ⑦ Even heat distribution throughout with AeroTech™ technology
- ⑧ Self-cleaning
- ⑨ CoolTouch door
- ⑩ Wi-Fi/Connected capability through the SmartHQ™ app
- ⑪ Soft open and close door

ACCESSORIES

- ① Full Extension Sliding Shelves*
- ② Self-cleaning-proof side racks*
- ③ Roasting dish, tray and rack*
- ④ Wired Temperature Sensor*

*Included with product

The models shown in this Planning Guide may not be available in all markets and are subject to change at any time. Product specifications may vary from those shown. This Planning Guide should not be used as installation guidance for any product. Further information is required to safely and correctly install the products featured here. Specific installation guidance will be available on our website fisherpaykel.com



OVERVIEW

With subtle Minimal styling, the Combination Steam Oven fits seamlessly into any kitchen. As a companion product, this oven is designed to install easily and fit perfectly with other companion products such as the Combination Microwave Oven, or Vacuum Seal Drawer. It features 23 functions, including steam-only, convection-only, or a combination of both. Reduce the need for oils and fats with six standalone steam functions, perfect for creating flavorful and healthy restaurant-quality meals at home. Beautiful to use, the large 5" touchscreen interface has simple and intuitive guided cooking, helping to ensure perfect results.

PRODUCTS

OS30SDTDB1
Combination Steam Oven, 30", 23 Function

SERIES & STYLE

Series 11
Minimal

ACCESSORIES

- ① 2x Full Extension Sliding Shelves*
- ② Step Down Wire Shelf*
- ③ Broil Pan*
- ④ Broil Rack*
- ⑤ Broil Grid*

FEATURES

- ① Minimal styling, designed to fit flush
- ② Generous 3cu ft total capacity with six shelf positions
- ③ Intuitive, large 5" touchscreen display with illuminated dial
- ④ 23 oven functions including Steam, Sous Vide, Air Fry and Crisp Regenerate
- ⑤ Guided touchscreen cooking makes it simple to cook by food, function or recipe
- ⑥ Moisture control and even heat distribution thanks to ActiveVent and AeroTech™ technology
- ⑦ 47.3 fl oz water tank
- ⑧ Wi-Fi enabled and works with the SmartHQ™ app for remote control and notifications
- ⑨ Steam Clean function ensures a spotless oven with minimal effort
- ⑩ Soft open and close door

ACCESSORIES

- ⑥ Perforated Large Steam Dish*
- ⑦ Perforated Small Steam Dish*
- ⑧ Large Steam Dish*
- ⑨ Wired Temperature Sensor*
- ⑩ Catalytic Panel*
- ⑪ Descale solution* - 2 sachets (Part 580925)

*Included with product

The models shown in this Planning Guide may not be available in all markets and are subject to change at any time. Product specifications may vary from those shown. This Planning Guide should not be used as installation guidance for any product. Further information is required to safely and correctly install the products featured here. Specific installation guidance will be available on our website fisherpaykel.com



OVERVIEW

With 13 beverage options, our Coffee Maker is designed to consistently make your coffee just the way you like it.

PRODUCTS

EB24DSXBB1

Built-in Coffee Maker, 24", Touchscreen, Black

TK30NDBB1

Companion Trim Kit, 30", Black

Note: Trim Kit purchased separately.



SERIES & STYLE

Series 9
Minimal

FEATURES

- ① Choice of stainless steel or elegant black trim
- ② Install in multiple configurations to suit your kitchen design
- ③ Optional 30" trim kit allows seamless vertical configuration when paired with a Fisher & Paykel 30" Oven
- ④ Intuitive touch display
- ⑤ 13 different choices from Espresso to Latte
- ⑥ Program your favorite setting
- ⑦ 5 bar pump pressure
- ⑧ Stainless steel conical burr grinder with 13 grinding coarseness positions
- ⑨ Self-cleaning function and easy to empty coffee grounds container and drip tray
- ⑩ 84.5 fl oz water tank capacity

ACCESSORIES

- ① Optional 30" trim kit
- ② Thermal milk jug*
- ③ Extractable steam outlet*
- ④ Coffee spoon*
- ⑤ Descaling agent and water filter*

*Included with product

The models shown in this Planning Guide may not be available in all markets and are subject to change at any time. Product specifications may vary from those shown. This Planning Guide should not be used as installation guidance for any product. Further information is required to safely and correctly install the products featured here. Specific installation guidance will be available on our website fisherpaykel.com



OVERVIEW

With subtle Minimal styling, the Combination Steam Oven fits seamlessly into any kitchen. As a companion product, this oven is designed to install easily and fit perfectly with other companion products such as the Combination Microwave Oven, or Vacuum Seal Drawer. It features 23 functions, including steam-only, convection-only, or a combination of both. Reduce the need for oils and fats with six standalone steam functions, perfect for creating flavorful and healthy restaurant-quality meals at home. Beautiful to use, the large 5" touchscreen interface has simple and intuitive guided cooking, helping to ensure perfect results.

PRODUCTS

OS30NDTDB1

Combination Steam Oven, 30", 23 Function

SERIES & STYLE

Series 9
Minimal

ACCESSORIES

- ① Full Extension Sliding Shelf*
- ② Wire Shelf*
- ③ Broil Pan*
- ④ Broil Rack*
- ⑤ Perforated Large Steam Dish*

FEATURES

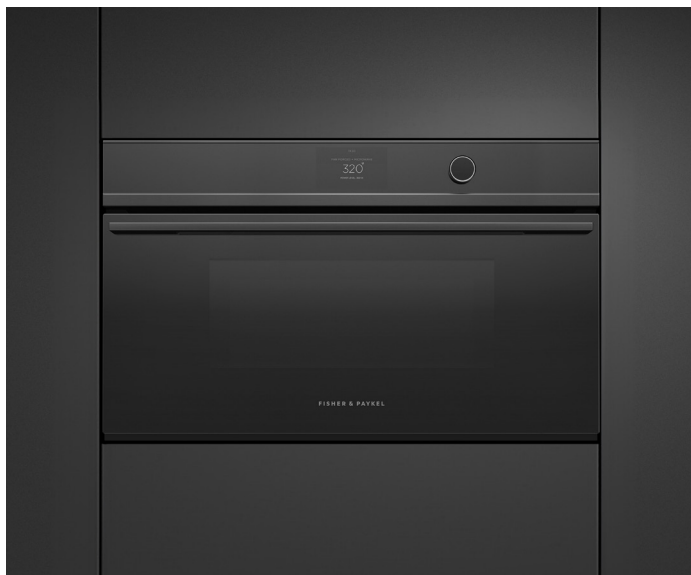
- ① Minimal style, designed to fit flush with cabinetry
- ② Generous 1.9 cu ft total capacity with four shelf positions
- ③ Intuitive, large 5" touchscreen display with illuminated dial
- ④ 23 oven functions including Steam, Sous Vide, Air Fry and Crisp Regenerate
- ⑤ Guided touchscreen cooking makes it simple to cook by food, function or recipe
- ⑥ Moisture control and even heat distribution thanks to ActiveVent and AeroTech™ technology
- ⑦ 47.3 fl oz water tank
- ⑧ Wi-Fi enabled and works with the SmartHQ™ app for remote control and notifications
- ⑨ Steam Clean function ensures a spotless oven with minimal effort
- ⑩ Soft open and close door

ACCESSORIES

- ⑥ Perforated Large Steam Dish*
- ⑦ Perforated Small Steam Dish*
- ⑧ Large Steam Dish*
- ⑨ Wired Temperature Sensor*
- ⑩ Catalytic Panel*
- ⑪ Descale solution* - 2 sachets (Part 580925)

*Included with product

The models shown in this Planning Guide may not be available in all markets and are subject to change at any time. Product specifications may vary from those shown. This Planning Guide should not be used as installation guidance for any product. Further information is required to safely and correctly install the products featured here. Specific installation guidance will be available on our website fisherpaykel.com



OVERVIEW

With subtle Minimal styling, the Convection Speed Oven fits seamlessly into any kitchen. As a companion product, this Speed Oven is designed to install easily and fit perfectly with other companion products such as the Combination Steam Oven, or Vacuum Seal Drawer. A flexible appliance that pairs the speed of microwave cooking with oven technology, which can crisp and brown as it cooks. Featuring 22 cooking functions on an intuitive touch display for easy programming of desired cooking mode and duration.

PRODUCTS

OM30NDTDB1

Convection Speed Oven, 30", 22 Function

SERIES & STYLE

Series 9

Minimal

FEATURES

- ① Minimal style, designed to fit flush with cabinetry
- ② 1.7cu ft total capacity
- ③ Intuitive, large 5" touchscreen display with illuminated dial
- ④ Four microwave-only functions, 14 traditional oven functions, and four combination functions
- ⑤ A Wired Temperature Sensor precisely monitors cooking in real time
- ⑥ Guided cooking, with the option to access additional functionality via the SmartHQ™ app
- ⑦ Wi-Fi/Connected capability through the SmartHQ™ app
- ⑧ Soft open and close door

ACCESSORIES

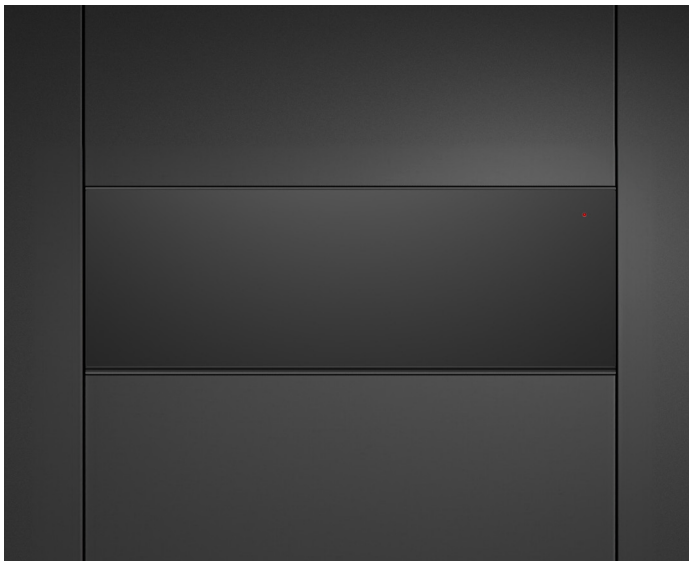
- ① Wire Shelf*
- ② Chrome Shelf Runners*
- ③ Step Down Wire Shelf*
- ④ Broil Rack*
- ⑤ Glass Tray*
- ⑥ Wired Temperature Sensor*

*Included with product

The models shown in this Planning Guide may not be available in all markets and are subject to change at any time. Product specifications may vary from those shown. This Planning Guide should not be used as installation guidance for any product. Further information is required to safely and correctly install the products featured here. Specific installation guidance will be available on our website fisherpaykel.com



Warming Drawer, WB30SDB1-SET Black Glass, paired with Built-in Oven OB30SDPTDB1

**OVERVIEW**

Designed to complement our Minimal and Contemporary ovens, these warming drawers are handle-free, and push-to-open for a coherent, considered look. Beautiful to use, with capacitive touch controls and six tailored functions for warming, proofing, dehydrating and slow cook. Pair with other companion products to create a kitchen suite for every need.

PRODUCTS**WB30SDB1-SET**

Warming Drawer, 30", Black Glass

SERIES & STYLE

Series 9
Minimal

FEATURES

- ① Styled to perfectly match our Minimal and Contemporary kitchen appliances
- ② Seamless pairing with other companion products in either stylish black reflective glass or brushed stainless steel
- ③ Push-to-open drawer
- ④ Easy-to-use capacitive touch controls
- ⑤ Automatic timing and switch-off functionality
- ⑥ Easy-to-clean, smooth-glass base
- ⑦ Room for 16 standard-sized place settings
- ⑧ Versatile with six tailored programmes for warming, proofing, dehydrating and slow cook

ACCESSORIES

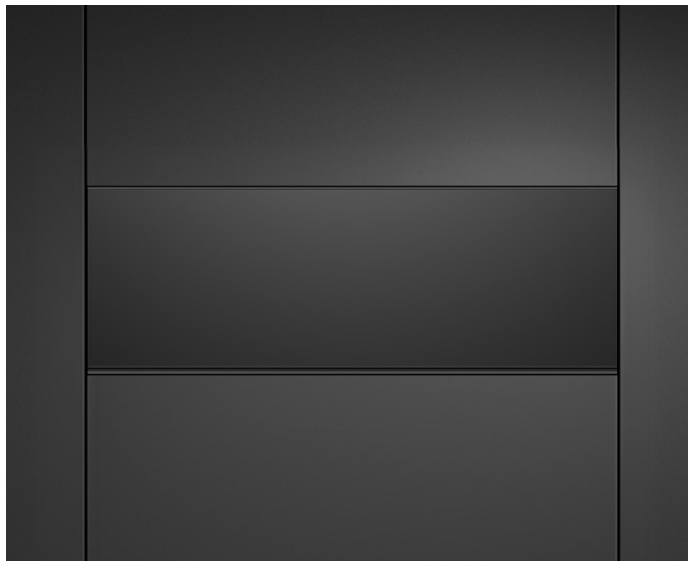
- ① Accessory rack for optimizing space*

*Included with product

The models shown in this Planning Guide may not be available in all markets and are subject to change at any time. Product specifications may vary from those shown. This Planning Guide should not be used as installation guidance for any product. Further information is required to safely and correctly install the products featured here. Specific installation guidance will be available on our website fisherpaykel.com



Vacuum Seal Drawer, VB30SDB1-SET Black Glass, paired with Built-in Oven OB30SDPTDB1

**OVERVIEW**

Designed to complement our Combination Steam Ovens, these vacuum seal drawers are handle-free, and push-to-open for a coherent, considered look. Beautiful to use, with capacitive touch controls and three levels of vacuuming and sealing to deliver perfect results. Pair with other companion products to create a kitchen suite for every need.

PRODUCTS**VB30SDB1-SET**

Vacuum Seal Drawer, 30", Black Glass

SERIES & STYLE

Series 9

Minimal

FEATURES

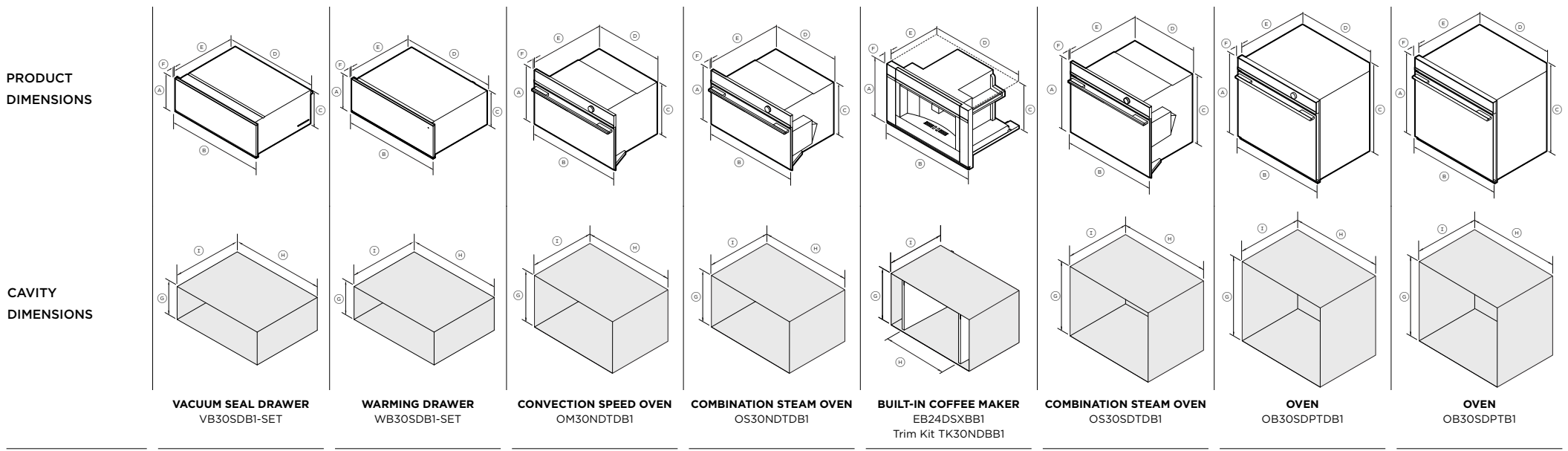
- ① Styled to perfectly match our Minimal and Contemporary kitchen appliances
- ② Push-to-open drawer
- ③ Three levels of vacuum and heat sealing
- ④ Easy-to-use capacitive touch controls
- ⑤ Easy-to-clean stainless steel interior
- ⑥ Vacuum sealing for easy food portioning, marinating, storage and extended food life
- ⑦ Sealing to capture and intensify flavors and retain nutrients
- ⑧ Effortless preparation for sous vide cooking
- ⑨ External vacuuming to remove air from glass jars and bottles
- ⑩ Additional storage drawer

ACCESSORIES

- ① Large vacuum bags - 50 Bags, Part 793034
- ② Small vacuum bags - 50 Bags, Part 793033
- ③ Adapter accessory kit for external vacuuming*

*Included with product

The models shown in this Planning Guide may not be available in all markets and are subject to change at any time. Product specifications may vary from those shown. This Planning Guide should not be used as installation guidance for any product. Further information is required to safely and correctly install the products featured here. Specific installation guidance will be available on our website fisherpaykel.com



PRODUCT DIMENSIONS	VACUUM SEAL DRAWER VB30SDB1-SET	WARMING DRAWER WB30SDB1-SET	CONVECTION SPEED OVEN OM30NDTDB1	COMBINATION STEAM OVEN OS30NDTDB1	BUILT-IN COFFEE MAKER EB24DSXBB1 Trim Kit TK30NDBB1	COMBINATION STEAM OVEN OS30SDTDB1	OVEN OB30SDPTDB1	OVEN OB30SDPTB1
Ⓐ Overall height	10 11/16" (271mm)	10 11/16" (271mm)	18" (458mm)	18" (458mm)	18 13/16" (478mm)**	23 9/16" (598mm)	27 3/16" (690mm)	27 3/16" (690mm)
Ⓑ Overall width	29 15/16" (760mm)	29 15/16" (760mm)	29 15/16" (760mm)	29 15/16" (760mm)	29 15/16" (760mm)**	29 15/16" (760mm)	29 15/16" (760mm)	29 15/16" (760mm)
Ⓒ Chassis height	10 11/16" (271mm)	10 11/16" (271mm)	17 1/8" (435mm)	17 1/8" (435mm)	8 5/16" (465mm)	22 5/8" (575mm)	26 9/16" (674mm)	26 9/16" (674mm)
Ⓓ Chassis width	28 7/16" (722mm) Includes side brackets	27 3/4" (704mm)	28 3/8" (720mm)	28 3/8" (720mm)	22 1/16" (560mm)	28 3/8" (720mm)	28 3/8" (720mm)	28 3/8" (720mm)
Ⓔ Chassis depth	21 11/16" (551mm) Including power plug	21 9/16" (547mm) Including power plug	21 7/16" (545mm)	21 7/16" (545mm)	20 7/8" (530mm)	21 7/16" (545mm)	22 7/16" (569mm)	22 7/16" (569mm)
Ⓕ Front panel thickness	13/16" (20mm)	13/16" (20mm)	13/16" (20mm)	13/16" (20mm)	1 9/16" (40mm)**	13/16" (20mm)	1 9/16" (40mm)	1 9/16" (40mm)
Depth of oven door fully open	-	-	12 5/8" (320mm)*	12 5/8" (320mm)*	-	18 1/8" (460mm)*	21 11/16" (550mm)*	21 11/16" (550mm)*

* Measured from front of control panel

** Measurements with trim kit

CAVITY DIMENSIONS- FLUSH INSTALLATION	VACUUM SEAL DRAWER VB30SDB1-SET	WARMING DRAWER WB30SDB1-SET	CONVECTION SPEED OVEN OM30NDTDB1	COMBINATION STEAM OVEN OS30NDTDB1	BUILT-IN COFFEE MAKER EB24DSXBB1 Trim Kit TK30NDBB1	COMBINATION STEAM OVEN OS30SDTDB1	OVEN OB30SDPTDB1	OVEN OB30SDPTB1
Ⓒ Minimum inside height of cavity	10 3/4" (273mm)*	10 3/4" (273mm)*	17 5/16" (440mm)	17 5/16" (440mm)	18 1/2" (470mm)	22 13/16" (580mm)	26 13/16" (681mm)	26 13/16" (681mm)
Ⓓ Minimum inside width of cavity	28 1/2" (724mm)	28 1/2" (724mm)	28 1/2" (724mm)	28 1/2" (724mm)	22 1/16" (560mm)***	28 1/2" (724mm)	28 1/2" (724mm)	28 1/2" (724mm)
Ⓔ Minimum inside depth of cavity****	22 13/16" (580mm)	22 13/16" (580mm)	22 7/16" (570mm)**	22 7/16" (570mm)	22 7/16" (570mm)**	22 7/16" (570mm)	24 3/16" (615mm)	24 3/16" (615mm)
Recommended cabinet width	30 1/16" (764mm)	30 1/16" (764mm)	30 1/16" (764mm)	30 1/16" (764mm)	30 1/16" (764mm)	30 1/16" (764mm)	30 1/16" (764mm)	30 1/16" (764mm)

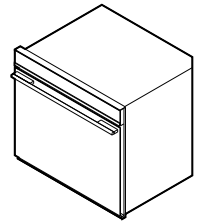
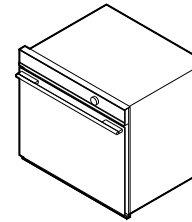
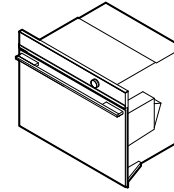
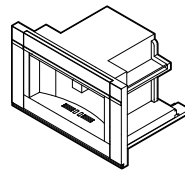
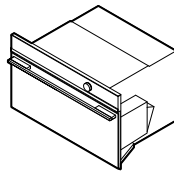
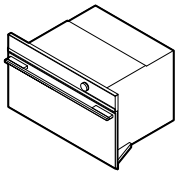
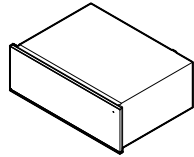
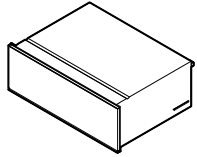
*Drawers can fully support 30inch Fisher & Paykel wall oven, without adding shelf in between

**Requires ventilation at the rear of the cavity

***Cabinetry requires additional vertical sidewalls to secure the product

****Measured from front of control panel

The models shown in this Planning Guide may not be available in all markets and are subject to change at any time. Product specifications may vary from those shown. This Planning Guide should not be used as installation guidance for any product. Further information is required to safely and correctly install the products featured here. Specific installation guidance will be available on our website fisherpaykel.com



VACUUM SEAL DRAWER
VB30SDBI-SET

WARMING DRAWER
WB30SDBI-SET

CONVECTION SPEED OVEN
OM30NDTDBI

COMBINATION STEAM OVEN
OS30NDTDBI

BUILT-IN COFFEE MAKER
EB24DSXBBI
Trim Kit TK30NDBBI

COMBINATION STEAM OVEN
OS30SDTDBI

OVEN
OB30SDPTDBI

OVEN
OB30SDPTBI

POWER REQUIREMENTS

Supply	120 V, 60 Hz	120 V, 60 Hz	208 V or 240 V, 60 Hz	208 V or 240 V, 60 Hz	120 V, 60 Hz	208 V or 240 V, 60 Hz	208 V or 240 V, 60 Hz	208 V or 240 V, 60 Hz
Service	10 A	10 A	20 A	20 A	10 A	20 A	20 A	20 A
Connection	Flex cord 70 7/8" (1800mm)	Flex cord 70 7/8" (1800mm)	Hard wired	Hard wired	Flex cord 66 15/16" (1700mm)	Hard wired	Hard wired	Hard wired

WEIGHT

Packaged	148lb (67kg)	66lb (30kg)	121lb (55kg)	121lb (55kg)	EB24DSXBBI 72lb (33kg)	152lb (69kg)	243lb (110kg)	243lb (110kg)
Unpackaged	121lb (55kg)	55lb (25kg)	101lb (46kg)	101lb (46kg)	EB24DSXBBI 53lb (24kg)	119lb (54kg)	165lb (75kg)	165lb (75kg)

CAPACITY

Total oven	-	-	1.7cu ft (49L)	1.9cu ft (55L)	-	3cu ft (85L)	4.1cu ft (115L)	4.1cu ft (115L)
Total water tank	-	-	-	47.3 fl oz (1.4L)	84.5 fl oz (2.5L)	47.3 fl oz (1.4L)	-	-

SERVICES

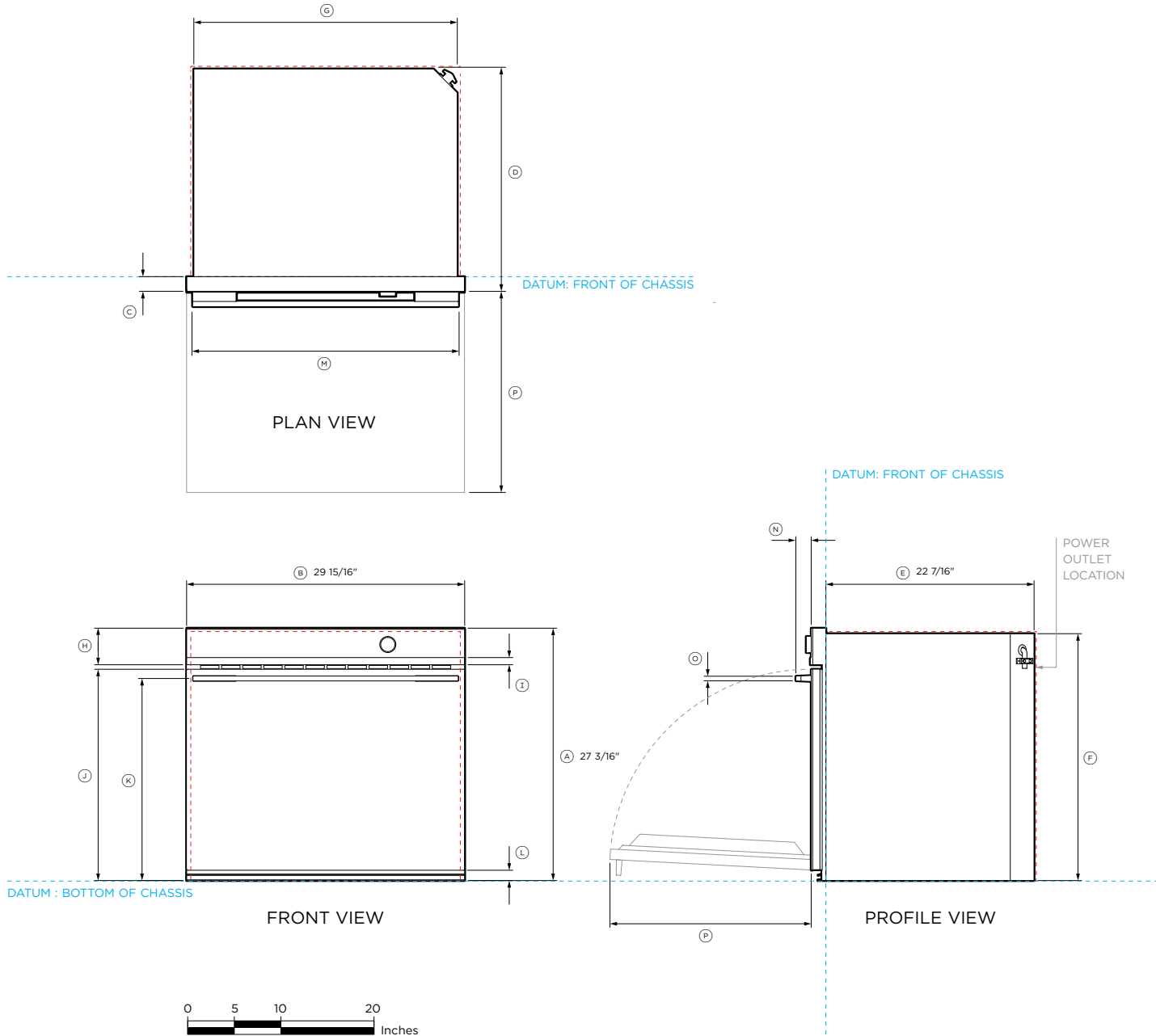
For more information on cord length, water supply and electrical requirements, refer to the 'Services' section of this Planning Guide.

WATER

All Coffee Makers and Steam Ovens have internal water tanks which need to be filled manually. No external water supply is required.

The models shown in this Planning Guide may not be available in all markets and are subject to change at any time. Product specifications may vary from those shown. This Planning Guide should not be used as installation guidance for any product. Further information is required to safely and correctly install the products featured here. Specific installation guidance will be available on our website fisherpaykel.com

DATA SHEETS



Model no:

Oven, 30" - OB30SDPTDB1, OB30SDPTB1

Product Dimensions

	in	mm
(A) Overall height of product	27 3/16	690
(B) Overall width of product	29 15/16	760
(C) Depth of control panel (excludes handle, front black aluminum trim and dial)	1 9/16	40
(D) Depth of chassis and control panel (excludes handle, front black aluminum trim and dial)	24	609
(E) Depth of chassis	22 7/16	569
(F) Height of chassis	26 9/16	674
(G) Width of chassis	28 3/8	720
(H) Height of control panel	3 15/16	100
(I) Height of black aluminum trim on control panel	3/4	20
(J) Height from bottom datum to top of oven door	22 3/4	578
(K) Height from bottom datum to centerline of handle	21 3/4	553
(L) Height from bottom datum to bottom of door	1 1/8	28
(M) Width of handle	28 5/8	727
(N) Depth of handle	1 5/8	42
(O) Thickness of handle	5/8	16
(P) Depth of door when open (measured from front of door)	21 11/16	550

Minimum Clearances- Flush Installation

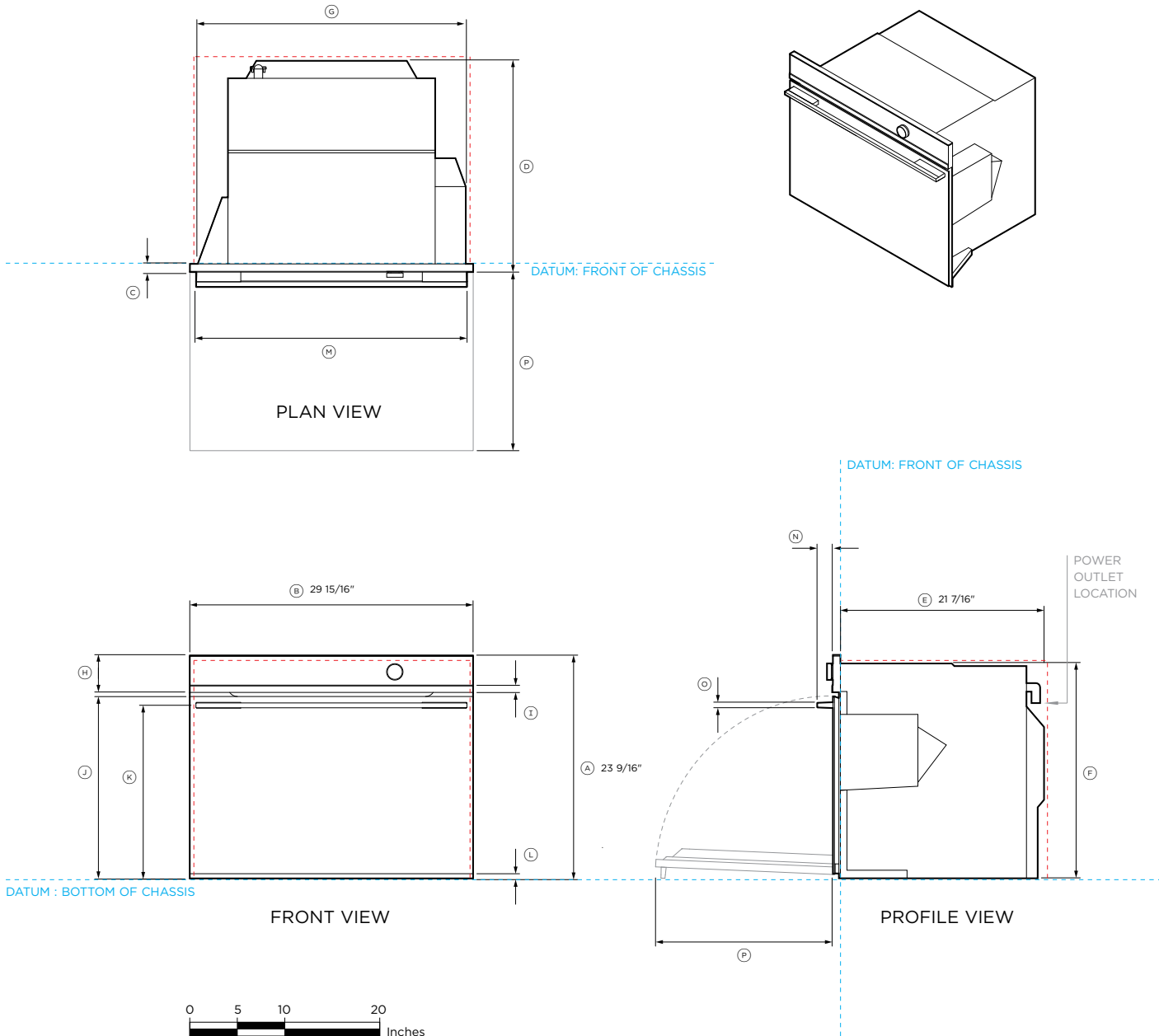
	in	mm
Minimum inside height of cavity	26 13/16	681
Minimum inside width of cavity	28 1/2	724
Minimum inside depth of cavity*	24 3/16	615
Minimum clearance above oven control panel to upper cabinetry front panel or appliance	1/16	2
Minimum clearance between bottom of oven chassis to lower cabinetry front panel or appliance	1/16	2

*Measured from front of control panel
 Note: Depending on cabinet panel thickness a rebate around control panel might be required. Ensure a 3/16" (5mm) minimum clearance is maintained between the top of the oven chassis and the cabinetry. Ensure the oven is not bearing any weight from cabinetry or products installed above.

IMPORTANT NOTE: For full installation and clearance details please refer to our installation manual.

INDICATES CABINERY / PRODUCT DATUM -----
 INDICATES CABINERY CLEARANCES - - - - -

IMPORTANT NOTE: Throughout this guide, dimensions may vary by ±2mm (1/16"). Please read the Installation Guide for detailed information on installing the product. For full installation instructions visit fisherpaykel.com



Model no:

Combination Steam Oven, 30" - OS30SDTDB1

Product Dimensions

	in	mm
A Overall height of product	23 9/16	598
B Overall width of product	29 15/16	760
C Depth of control panel (excludes handle, front black aluminum trim and dial)	13/16	20
D Depth of chassis and control panel (excludes handle, front black aluminum trim and dial)	22 1/4	565
E Depth of chassis	22 7/16	545
F Height of chassis	22 5/8	575
G Width of chassis	28 3/8	720
H Height of control panel	3 15/16	100
I Height of black aluminum trim on control panel	3/4	20
J Height from bottom datum to top of oven door	19 3/16	487
K Height from bottom datum to centerline of handle	18 1/4	464
L Height from bottom datum to bottom of door	1/2	12
M Width of handle	28 5/8	727
N Depth of handle	1 5/8	42
O Thickness of handle	5/8	16
P Depth of door when open (measured from front of door)	18 1/8	460

Minimum Clearances - Flush Installation

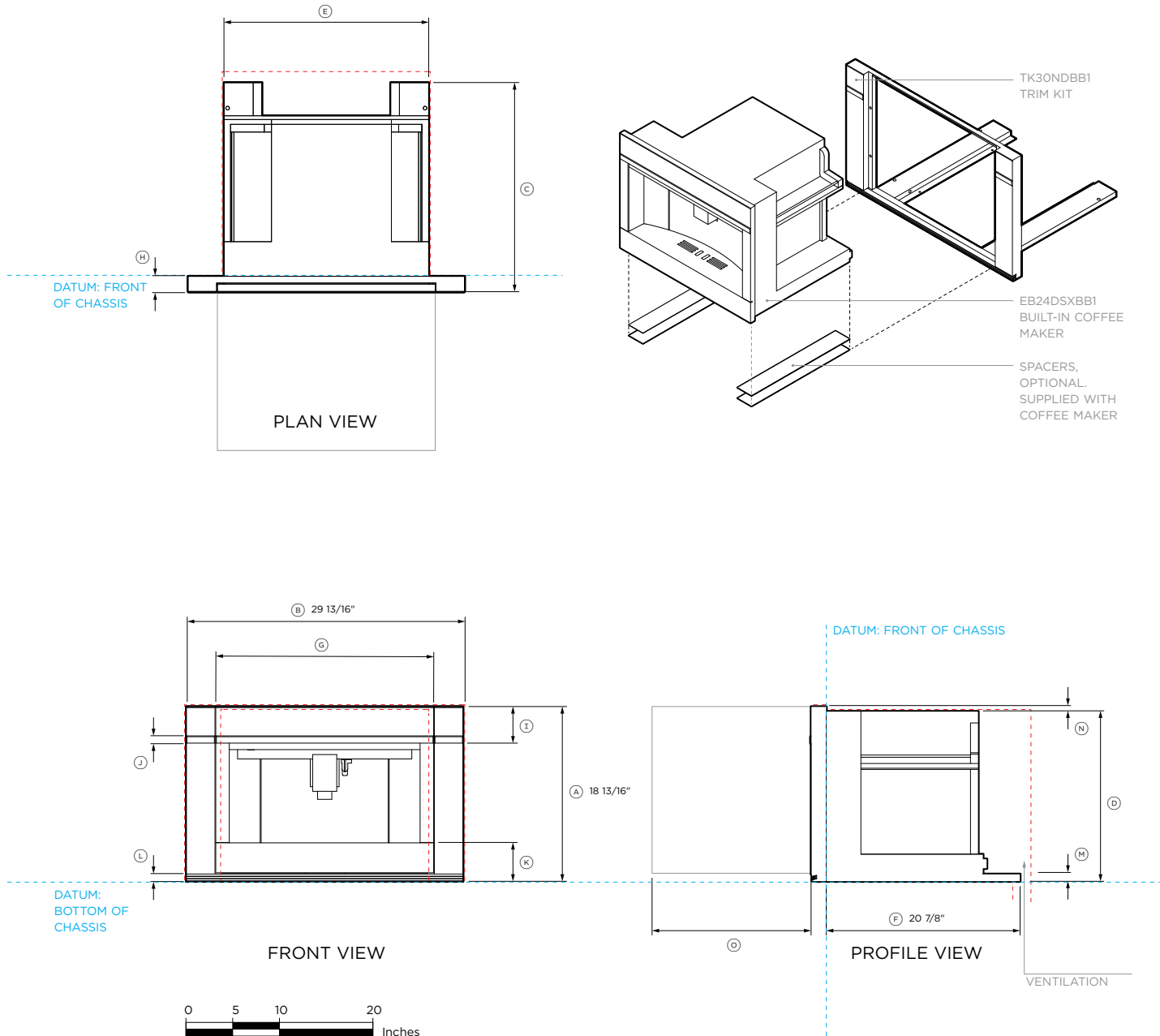
	in	mm
Minimum inside height of cavity	22 13/16	580
Minimum inside width of cavity	28 1/2	724
Minimum inside depth of cavity*	22 7/16	570
Minimum clearance above oven control panel to upper cabinetry front panel or appliance	1/16	2
Minimum clearance between bottom of oven chassis to lower cabinetry front panel or appliance	1/16	2

*Measured from front of control panel
Ensure a 3/16" (5mm) minimum clearance is maintained between the top of the oven chassis and the cabinetry. Ensure the oven is not bearing any weight from cabinetry or products installed above.

NOTE: For full installation and clearance details please refer to our installation manual.

INDICATES CABINERY / PRODUCT DATUM -----
INDICATES CABINERY CLEARANCES - - - - -

IMPORTANT NOTE: Throughout this guide, dimensions may vary by ±2mm (1/16"). Please read the Installation Guide for detailed information on installing the product. For full installation instructions visit fisherpaykel.com



Model no:

Built-in Coffee Maker, 24" - EB24DSXBB1
Trim Kit, 30" - TK30NDBB1

Product Dimensions

	in	mm
Ⓐ Overall height of built-in coffee maker and trim kit	18 13/16	478
Ⓑ Overall width of built-in coffee maker and trim kit	29 13/16	757
Ⓒ Overall depth of built-in coffee maker and trim kit (excludes front metal trim)	22 7/16	570
Ⓓ Height of chassis and trim kit support brackets	18 5/16	465
Ⓔ Width of chassis and trim kit support brackets	22 1/16	560
Ⓕ Depth of chassis and trim kit support brackets	20 7/8	530
Ⓖ Width of coffee maker	23 7/16	596
Ⓗ Depth of coffee maker front frame and control panel (excludes front metal trim)	1 9/16	40
Ⓘ Height of control panel	3 15/16	100
Ⓝ Height of metal cap on control panel	13/16	20
Ⓚ Height of horizontal lower section (includes glass and grille)	4 1/8	105
Ⓛ Height of trim grille	3/16	20
Ⓜ Height of trim kit support brackets	13/16	20
Ⓝ Stepdown from control panel to chassis	1/2	13
Ⓞ Extent built-in coffee maker pulls out (measured from glass front)	17 1/8	435

Minimum Clearances - Flush Installation

	in	mm
Minimum inside height of cavity	18 1/2	470
Minimum inside width of cavity	22 1/16	560
Minimum inside depth of cavity*	22 7/16	570
Overall height of cabinetry (cavity around front frame)	18 7/8	480
Overall width of cabinetry (cavity around front frame)	30 1/16	764
Rear ventilation depth**	2	50
Rear ventilation width**	22 1/16	560
Minimum clearance above Trim Kit to upper cabinetry front panel or appliance	1/16	2
Minimum clearance between bottom of Trim Kit to lower cabinetry front panel or appliance	1/16	2

*Measured from front of control panel

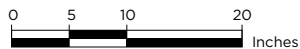
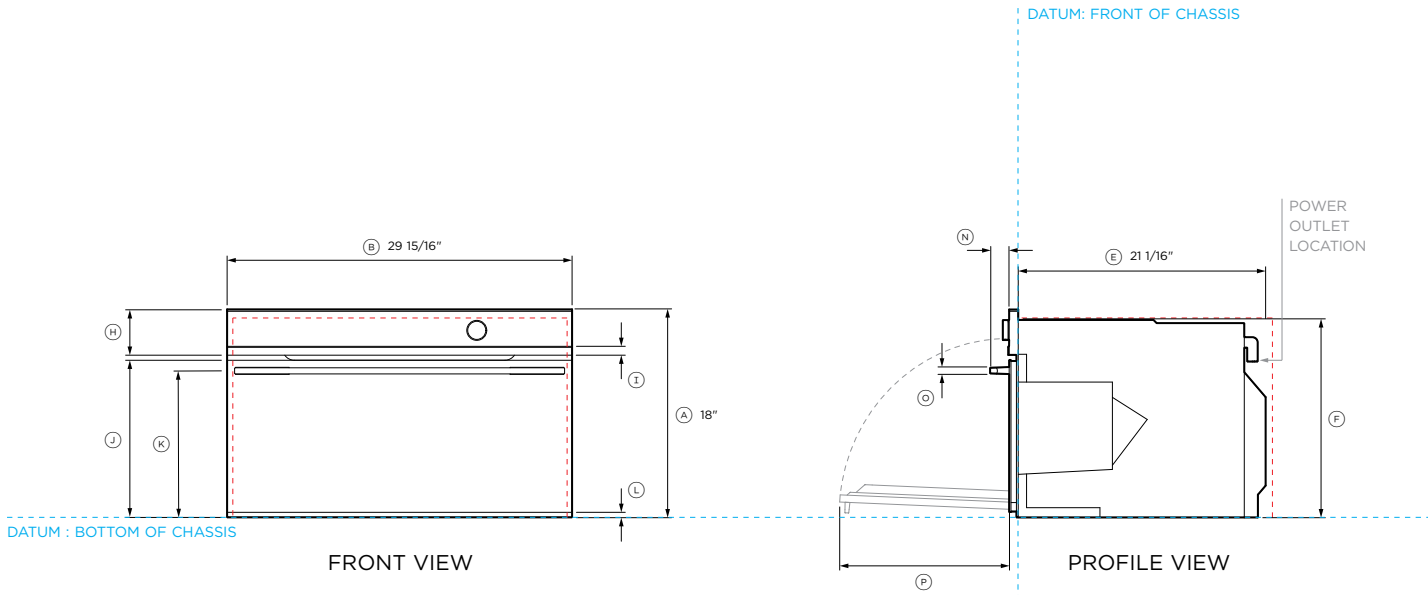
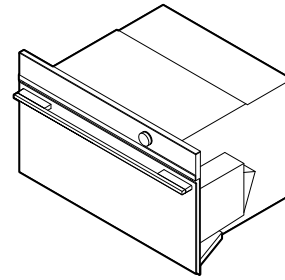
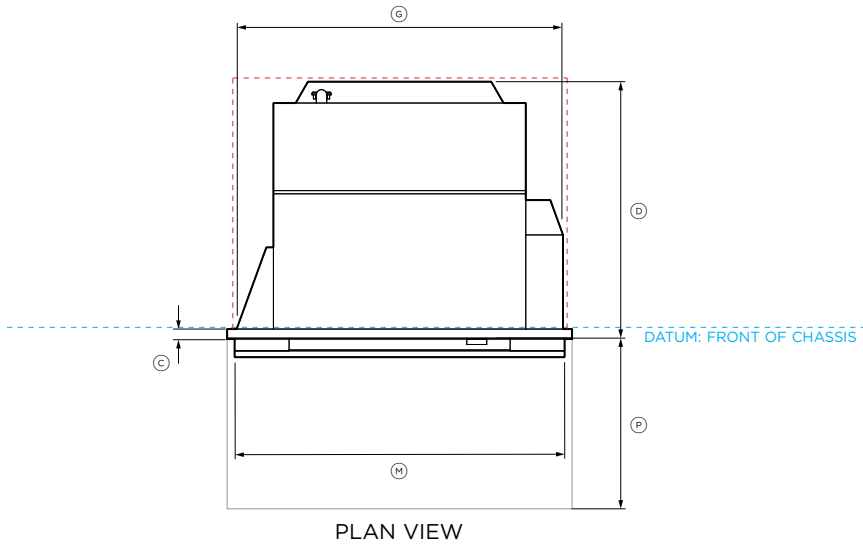
**Rear ventilation totalling 43.4in² (280cm²) is required. The air vent must be located at the rear of cabinet, it can be positioned at the base, sides, back or top of the cavity.

NOTE: For full installation and clearance details please refer to our installation manual.

INDICATES CABINETRY / PRODUCT DATUM

INDICATES CABINETRY CLEARANCES

IMPORTANT NOTE: Throughout this guide, dimensions may vary by ±2mm (1/16"). Please read the Installation Guide for detailed information on installing the product. For full installation instructions visit fisherpaykel.com



Model no:

Combination Steam Oven, 30" - OS30NDTDB1

Product Dimensions

	in	mm
Ⓐ Overall height of product	18	458
Ⓑ Overall width of product	29 15/16	760
Ⓒ Depth of control panel (excludes handle, front black aluminum trim and dial)	13/16	20
Ⓓ Depth of chassis and control panel (excludes handle, front black aluminum trim and dial)	22 1/4	565
Ⓔ Depth of chassis	21 1/16	545
Ⓕ Height of chassis	17 1/8	435
Ⓖ Width of chassis	28 3/8	720
Ⓜ Height of control panel	3 15/16	100
Ⓣ Height of black aluminum trim on control panel	13/16	20
Ⓝ Height from bottom datum to top of oven door	13 11/16	347
Ⓚ Height from bottom datum to centerline of handle	12 3/4	324
Ⓛ Height from bottom datum to bottom of door	1/2	12
Ⓜ Width of handle	28 5/8	727
Ⓝ Depth of handle	1 5/8	42
Ⓞ Thickness of handle	5/8	16
Ⓟ Depth of door when open (measured from front of door)	12 5/8	320

Minimum Clearances - Flush Installation

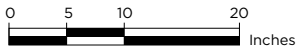
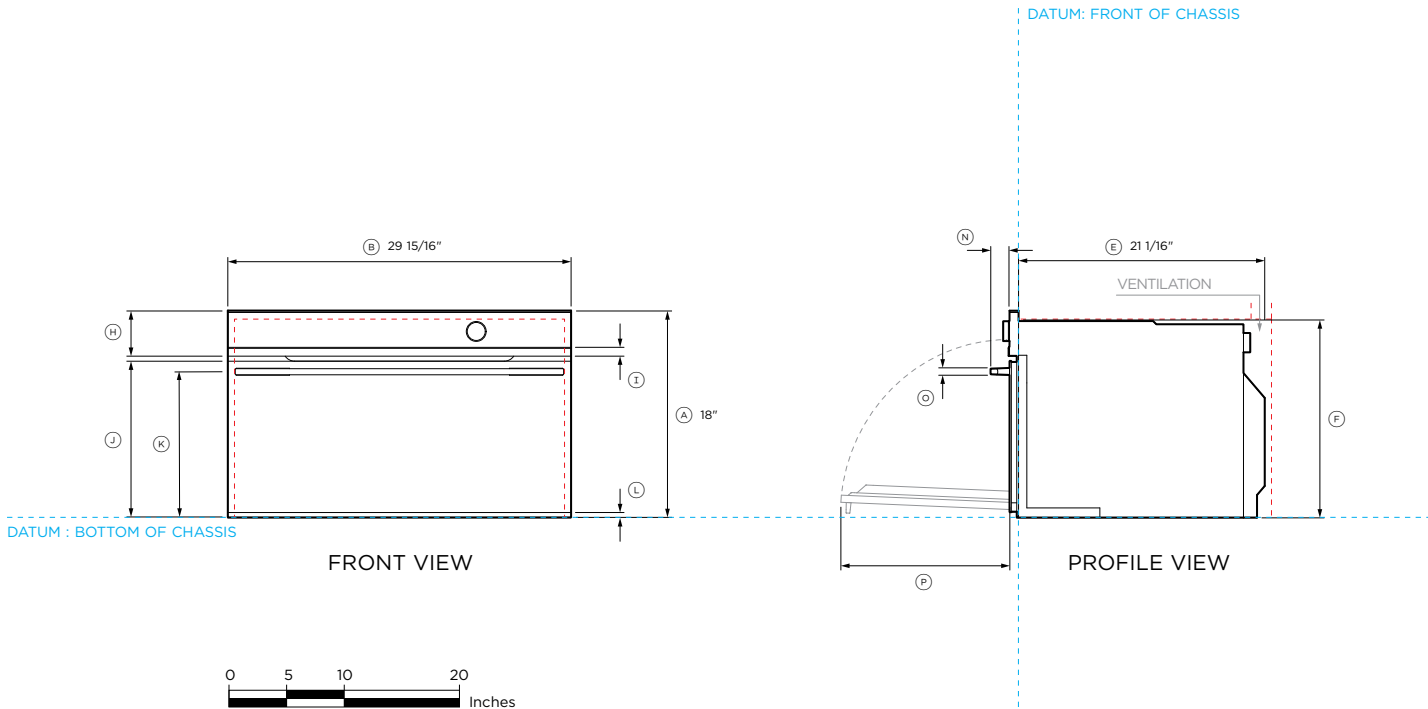
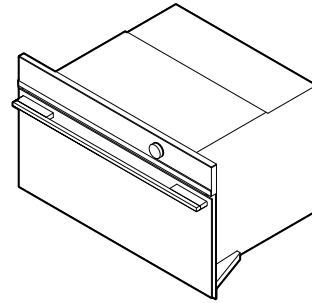
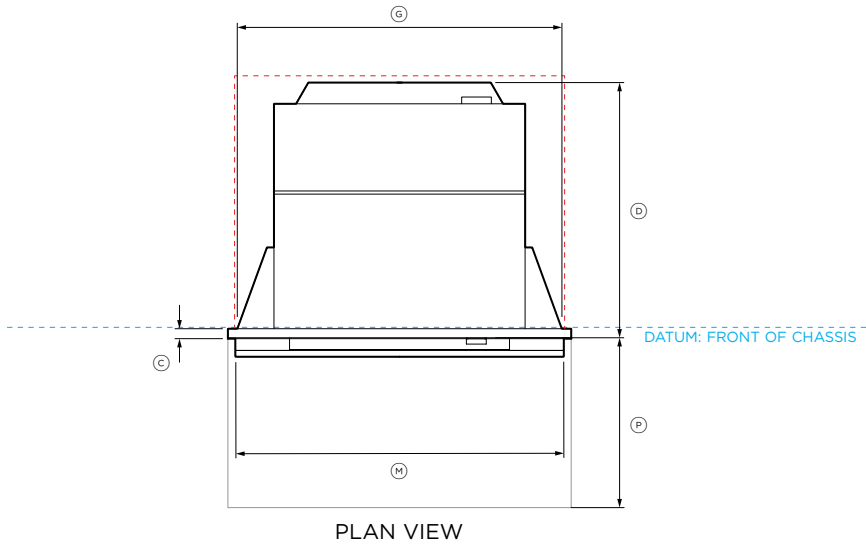
	in	mm
Minimum inside height of cavity	17 5/16	440
Minimum inside width of cavity	28 1/2	724
Minimum inside depth of cavity*	22 7/16	570
Minimum clearance above oven control panel to upper cabinetry front panel or appliance	1/16	2
Minimum clearance between bottom of oven chassis to lower cabinetry front panel or appliance	1/16	2

*Measured from front of control panel
Ensure a 3/16" (5mm) minimum clearance is maintained between the top of the oven chassis and the cabinetry. Ensure the oven is not bearing any weight from cabinetry or products installed above.

NOTE: For full installation and clearance details please refer to our installation manual.

INDICATES CABINETRY / PRODUCT DATUM -----
INDICATES CABINETRY CLEARANCES - - - - -

IMPORTANT NOTE: Throughout this guide, dimensions may vary by ±2mm (1/16"). Please read the Installation Guide for detailed information on installing the product. For full installation instructions visit fisherpaykel.com



Model no:

Convection Speed Oven, 30" - OM30NDTDB1

Product Dimensions

	in	mm
A Overall height of product	18	458
B Overall width of product	29 15/16	760
C Depth of control panel (excludes handle, front black aluminum trim and dial)	13/16	20
D Depth of chassis and control panel (excludes handle, front black aluminum trim and dial)	22 1/4	565
E Depth of chassis	21 1/16	545
F Height of chassis	17 1/8	435
G Width of chassis	28 3/8	720
H Height of control panel	3 15/16	100
I Height of black aluminum trim on control panel	13/16	20
J Height from bottom datum to top of oven door	13 11/16	347
K Height from bottom datum to centerline of handle	12 3/4	324
L Height from bottom datum to bottom of door	1/2	12
M Width of handle	28 5/8	727
N Depth of handle	1 5/8	42
O Thickness of handle	5/8	16
P Depth of door when open (measured from front of door)	12 5/8	320

Minimum Clearances - Flush Installation

	in	mm
Minimum inside height of cavity	17 5/16	440
Minimum inside width of cavity	28 1/2	724
Minimum inside depth of cavity*	22 7/16	570
Rear ventilation depth**	2	50
Rear ventilation width**	22 1/16	560
Minimum clearance above oven control panel to upper cabinetry front panel or appliance	1/16	2
Minimum clearance between bottom of oven chassis to lower cabinetry front panel or appliance	1/16	2

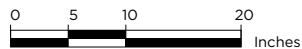
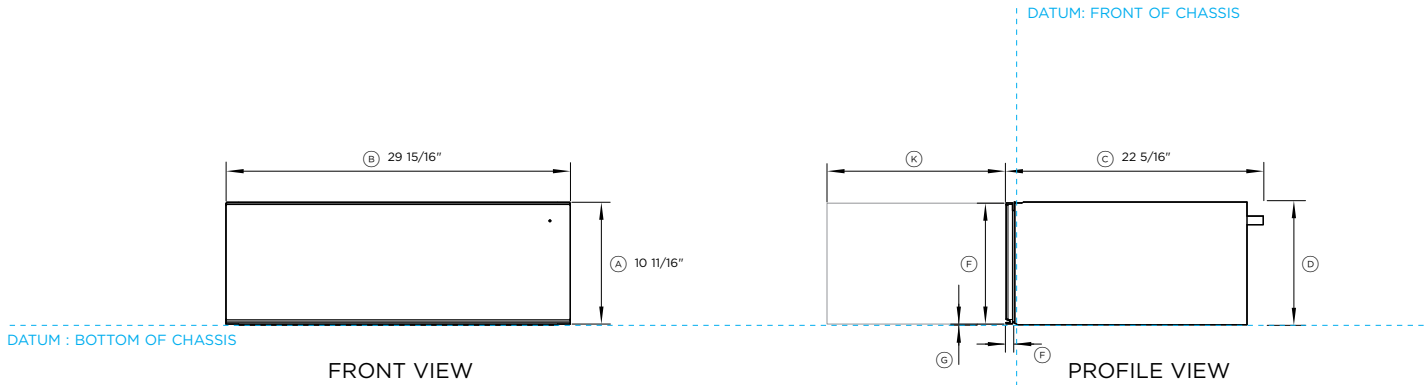
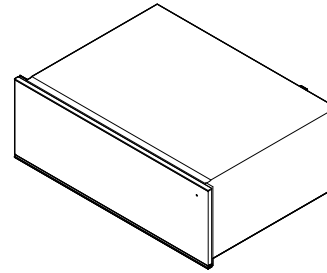
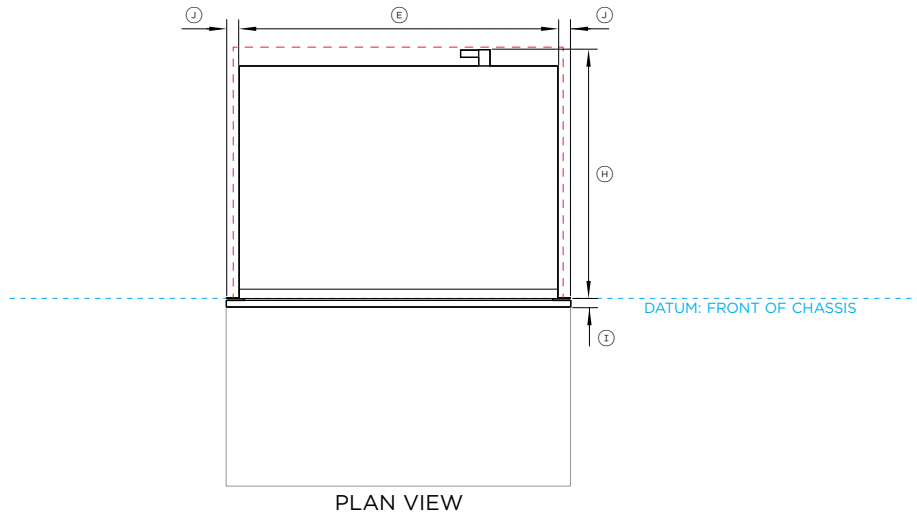
*Measured from front of control panel

**Rear ventilation totalling 43.4in² (280cm²) is required. The air vent must be located at the rear of cabinet, it can be positioned at the base, sides, back or top of the cavity.

NOTE: For full installation and clearance details please refer to our installation manual.

INDICATES CABINETRY / PRODUCT DATUM -----
INDICATES CABINETRY CLEARANCES - - - - -

IMPORTANT NOTE: Throughout this guide, dimensions may vary by ±2mm (1/16"). Please read the Installation Guide for detailed information on installing the product. For full installation instructions visit fisherpaykel.com



Model no:

Warming Drawer, 30" - WB30SDB1-SET

Product Dimensions

	in	mm
Ⓐ Overall height of product	10 11/16	271
Ⓑ Overall width of product	29 15/16	760
Ⓒ Overall depth (incl. front panel & power plug, excludes stainless cap)	22 5/16	567
Ⓓ Height of chassis	10 11/16	271
Ⓔ Width of chassis	27 3/4	704
Ⓕ Height of drawer front panel	10 1/2	267
Ⓖ Height from bottom of chassis to bottom of front panel	1/16	2
Ⓗ Depth of chassis (includes power plug)	21 9/16	547
Ⓙ Depth of drawer front panel and flange (excludes stainless cap)	13/16	20
Ⓝ Distance from side of chassis to side of drawer front	1 1/16	27
Ⓚ Depth of open drawer (measured from front of drawer panel)	16 3/4	425

Minimum Clearances - Flush Installation

	in	mm
Minimum inside height of cavity	10 3/4	273
Minimum inside width of cavity	28 1/2	724
Minimum inside depth of cavity*	22 13/16	580
Minimum clearance above drawer front panel to upper cabinetry front panel or appliance**	5/32	4
Minimum clearance between bottom of drawer chassis to lower cabinetry front panel or appliance	1/16	2

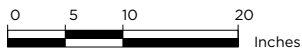
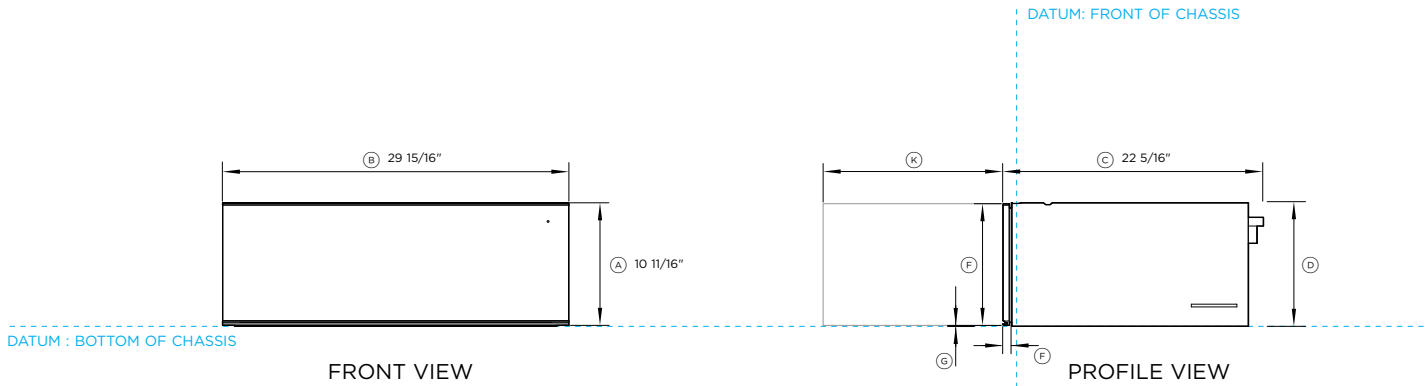
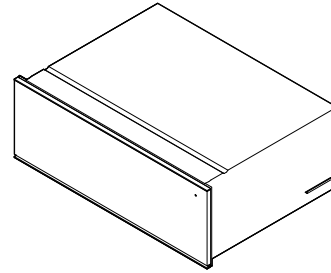
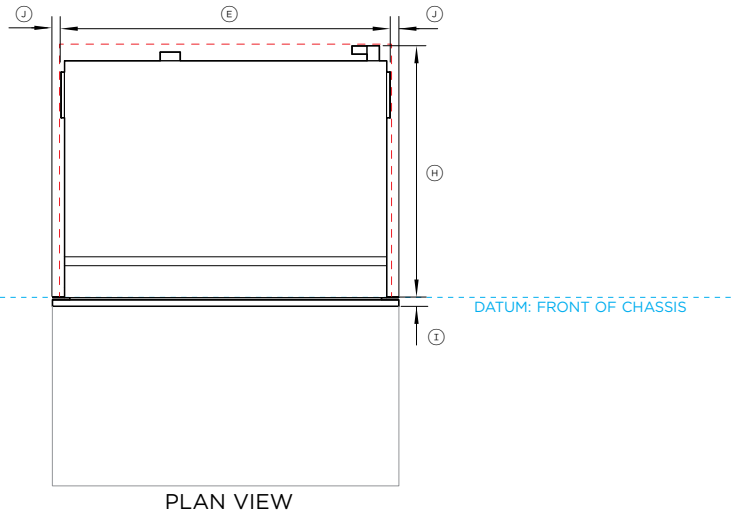
*Measured from front of drawer panel

**Achieve a smaller gap between drawer front panel to upper cabinetry front panel by dropping cabinetry front panel down

NOTE: For full installation and clearance details please refer to our installation manual.

INDICATES CABINETRY / PRODUCT DATUM -----
INDICATES CABINETRY CLEARANCES - - - - -

IMPORTANT NOTE: Throughout this guide, dimensions may vary by ±2mm (1/16"). Please read the Installation Guide for detailed information on installing the product. For full installation instructions visit fisherpaykel.com



Model no:

Vacuum Seal Drawer, 30" - VB30SDB1-SET

Product Dimensions

	in	mm
Ⓐ Overall height of product	10 11/16	271
Ⓑ Overall width of product	29 15/16	760
Ⓒ Overall depth (incl. front panel & power plug, excludes stainless cap)	22 1/2	571
Ⓓ Height of chassis	10 11/16	271
Ⓔ Width of chassis	28 7/16	722
Ⓕ Height of drawer front panel	10 1/2	267
Ⓖ Height from bottom of chassis to bottom of front panel	1/16	2
Ⓗ Depth of chassis (includes power plug)	21 9/16	551
Ⓙ Depth of drawer front panel and flange (excludes stainless cap)	13/16	20
Ⓝ Distance from side of chassis to side of drawer front	3/4	19
Ⓚ Depth of open drawer (measured from front of drawer panel)	16 3/4	425

Minimum Clearances - Flush Installation

	in	mm
Minimum inside height of cavity	10 3/4	273
Minimum inside width of cavity	28 1/2	724
Minimum inside depth of cavity*	22 13/16	580
Minimum clearance above drawer front panel to upper cabinetry front panel or appliance**	5/32	4
Minimum clearance between bottom of drawer chassis to lower cabinetry front panel or appliance	1/16	2

*Measured from front of drawer panel

**Achieve a smaller gap between drawer front panel to upper cabinetry front panel by dropping cabinetry front panel down

NOTE: For full installation and clearance details please refer to our installation manual.

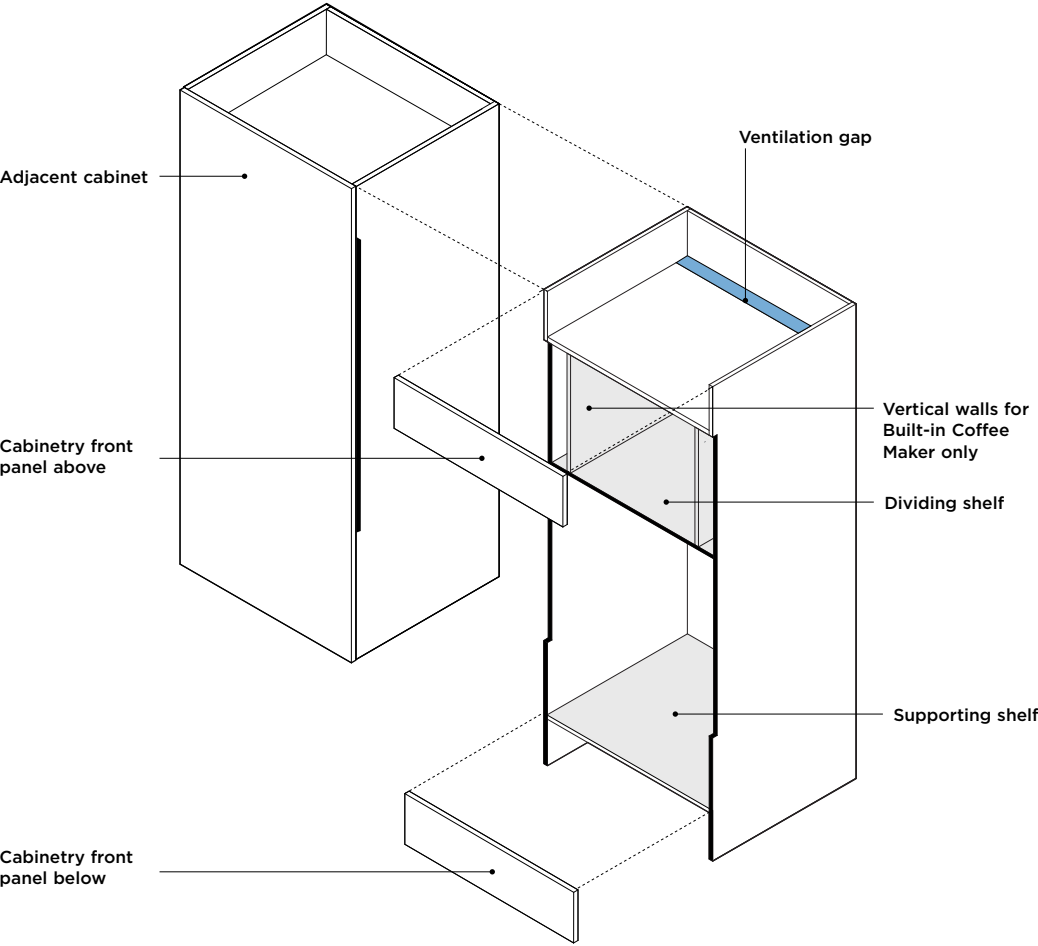
INDICATES CABINETRY / PRODUCT DATUM -----
INDICATES CABINETRY CLEARANCES - - - - -

IMPORTANT NOTE: Throughout this guide, dimensions may vary by ±2mm (1/16"). Please read the Installation Guide for detailed information on installing the product. For full installation instructions visit fisherpaykel.com

PLANNING CONSIDERATIONS

BLACK CLASHING

Black clashing recommended on front facing edges where products are located and on side cabinets if cabinet is rebated.

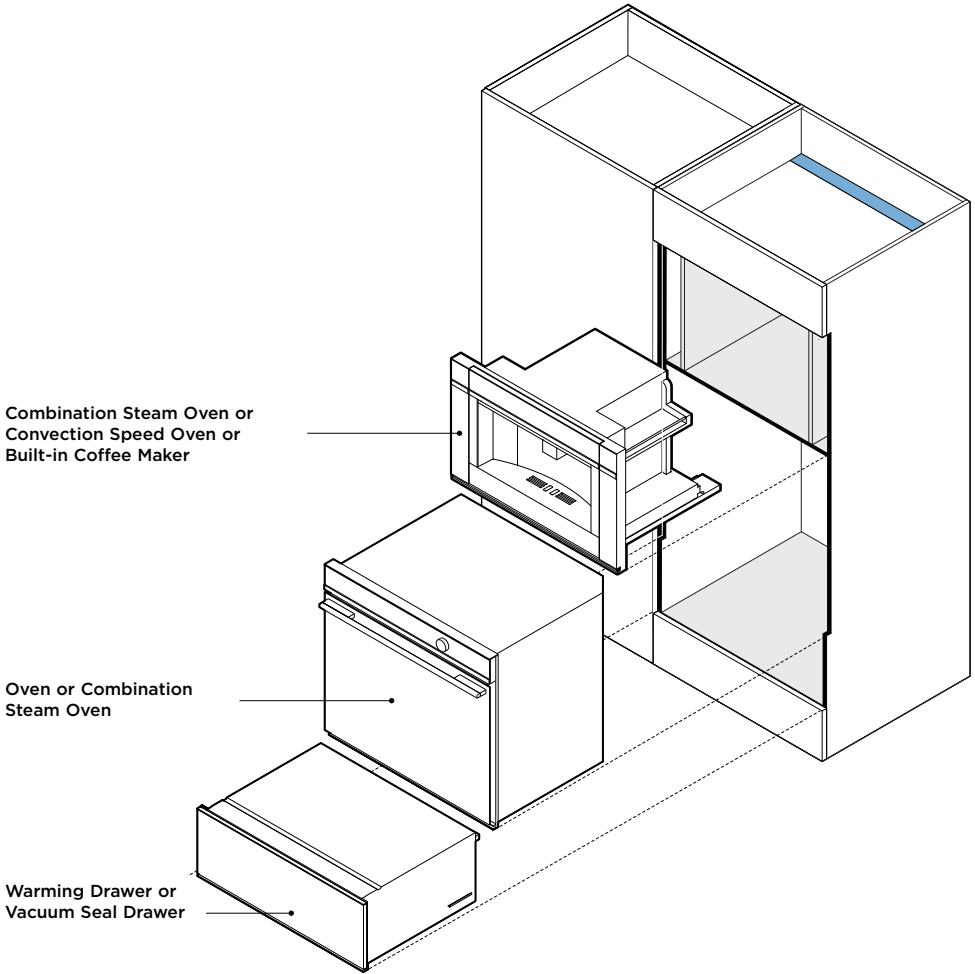


DIVIDING SHELF

If the cabinetry front panels are thinner than 13/16" (20mm) (less than the thickness of the appliance front) a rebate is required for the appliance to achieve a flush finish.

LEVEL CABINETRY

Check the shelves are level and the side panels are straight.



The models shown in this Planning Guide may not be available in all markets and are subject to change at any time. Product specifications may vary from those shown. This Planning Guide should not be used as installation guidance for any product. Further information is required to safely and correctly install the products featured here. Specific installation guidance will be available on our website fisherpaykel.com

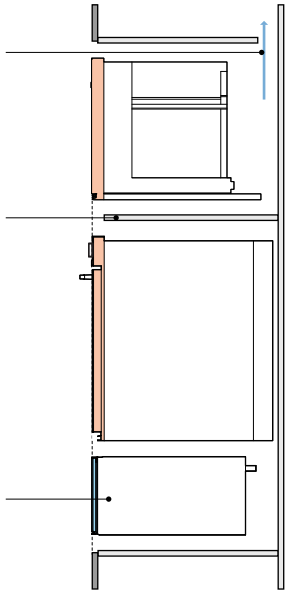
Ventilation air vent is required at rear for some products.

Dividing shelves are required to support stacked appliances and to achieve correct clearance.

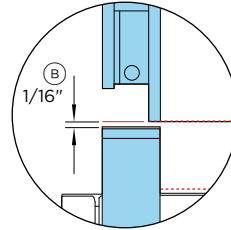
Dividing shelves must be constructed from material that will support the weight of the appliances.

Ensure the oven is not bearing any weight from cabinetry or products installed above.

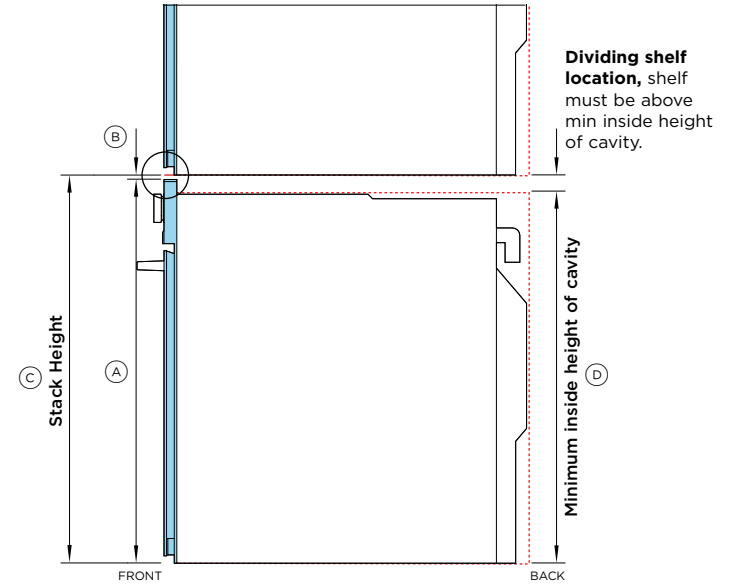
Warming Drawers and Vacuum Seal Drawers can fully support a 30inch Fisher & Paykel oven, without adding a shelf in between.



STACK EXPLODED
PROFILE VIEW



Minimum clearance above appliance control panel to upper appliance

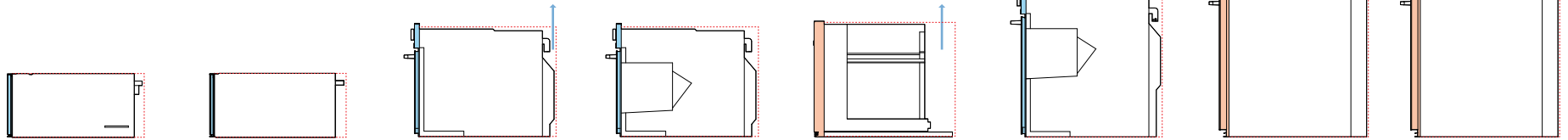


PRODUCT
PROFILE VIEW

STACK HEIGHT

$$\begin{aligned} & \textcircled{A} \text{ Overall product height} \\ & + \\ & \textcircled{B} \text{ Minimum clearance above appliance control panel or} \\ & \text{front panel to upper appliance} \\ & = \\ & \textcircled{C} \text{ Stacked Height} \end{aligned}$$

**MINIMUM
DIMENSION
CLEARANCES**



VACUUM SEAL DRAWER
VB30SDBI-SET

WARMING DRAWER
WB30SDBI-SET

CONVECTION SPEED OVEN
OM30NDTDB1

COMBINATION STEAM OVEN
OS30NDTDB1

BUILT-IN COFFEE MAKER
EB24DSXBB1
Trim Kit TK30NDBB1

COMBINATION STEAM OVEN
OS30SDTDB1

OVEN
OB30SDPTDB1

OVEN
OB30SDPTB1

DIMENSIONS

Ⓐ Overall product height	10 11/16" (271mm)	10 11/16" (271mm)	18" (458mm)	18" (458mm)	18 13/16" (478mm)**	23 9/16" (598mm)	27 3/16" (690mm)	27 3/16" (690mm)
Ⓑ Minimum clearance above	-	-	-	1/16" (2mm)	1/16" (2mm)	1/16" (2mm)	1/16" (2mm)	1/16" (2mm)
Ⓒ Stack height	10 11/16" (271mm)*	10 11/16" (271mm)*	18 1/8" (460mm)	18 1/8" (460mm)	18 29/32" (480mm)	23 5/8" (600mm)	27 1/4" (692mm)	27 1/4" (692mm)
Ⓓ Minimum inside height of cavity	10 11/16" (271mm)	10 11/16" (271mm)	17 5/16" (440mm)	17 5/16" (440mm)	18 1/2" (470mm)	22 13/16" (580mm)	26 13/16" (681mm)	26 13/16" (681mm)

*Drawers can fully support 30inch Fisher & Paykel wall oven, without adding shelf in between

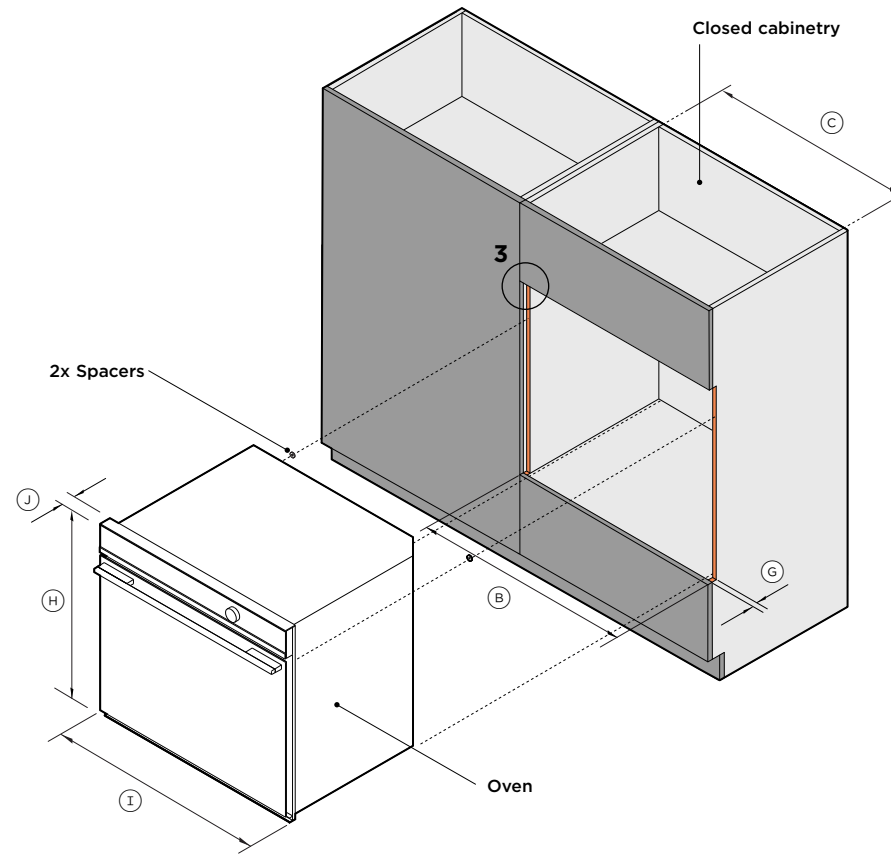
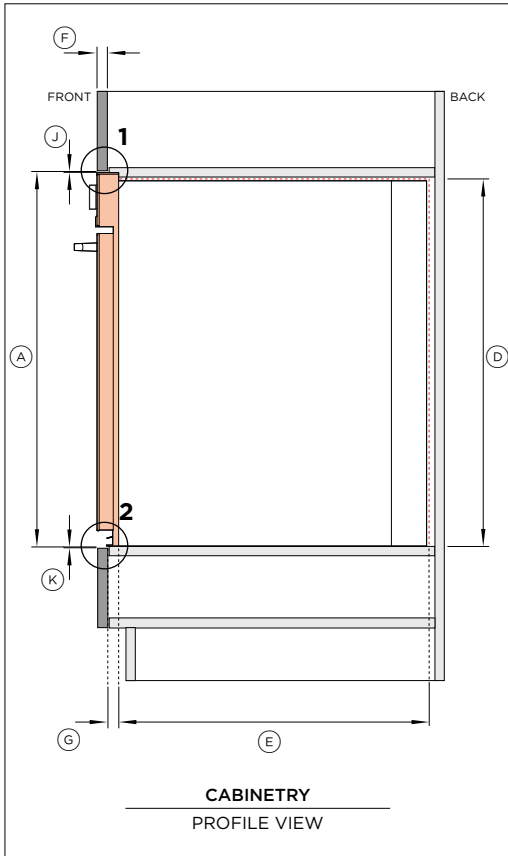
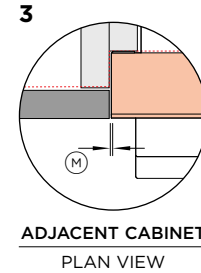
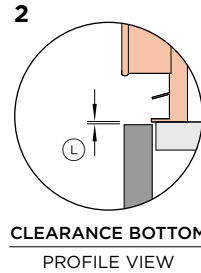
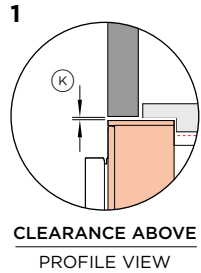
**Includes Built-in Coffee Maker rail height

NOTE: Stack height is overall product height with minimum clearance above appliance control panel or front panel to upper appliance.

The models shown in this Planning Guide may not be available in all markets and are subject to change at any time. Product specifications may vary from those shown. This Planning Guide should not be used as installation guidance for any product. Further information is required to safely and correctly install the products featured here. Specific installation guidance will be available on our website fisherpaykel.com

COOKTOP CLEARANCE

If installing a cooktop above the oven, ensure adequate clearance is provided for the cooktop as per the cooktop manufacturer's instructions.



Model no:

Oven, 30" - OB30SDPTDB1, OB30SDPTB1

Cabinetry Dimensions - Flush Installation	inch	mm
Ⓐ Overall cabinet height*	27 1/4	692
Ⓑ Overall cabinet width	30 1/16	764
Ⓒ Minimum inside width of cavity	28 1/2	724
Ⓓ Minimum inside height of cavity	26 13/16	681
Ⓔ Minimum inside depth of cavity	22 5/8	575
Ⓕ Thickness of cabinetry front panel**	3/4	19
Ⓖ Thickness of rebate for control panel***	15/16	23

*Overall cabinet height is overall product height with minimum clearance above oven control panel to upper cabinetry front panel

**Cabinetry shown in drawings 3/4" (19mm) panels

***Oven requires 1/16" (2mm) spacers for screws (supplied x 2)

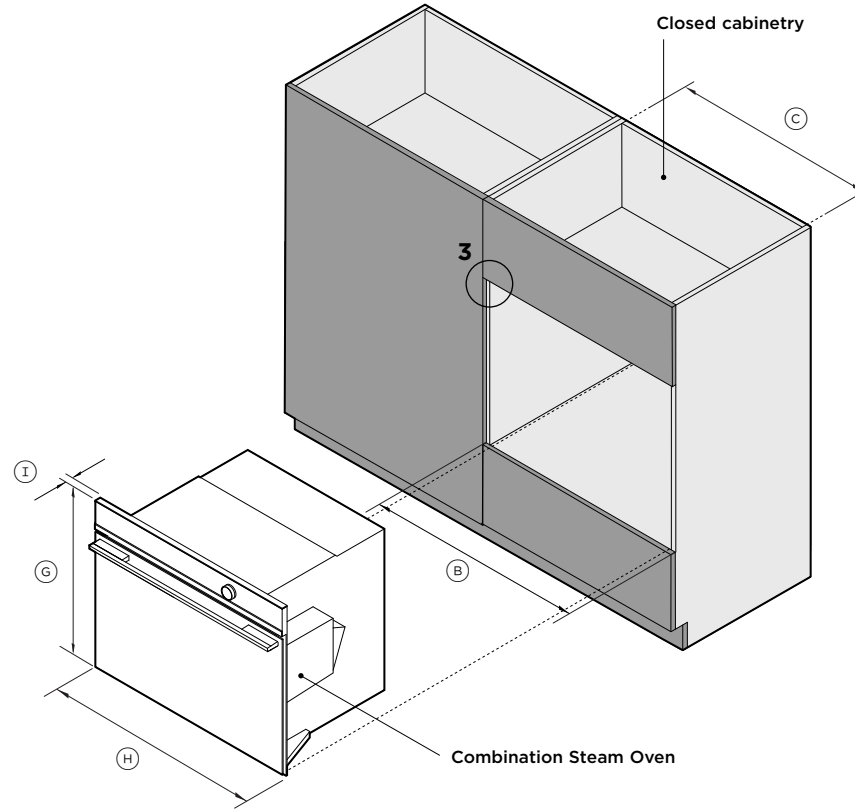
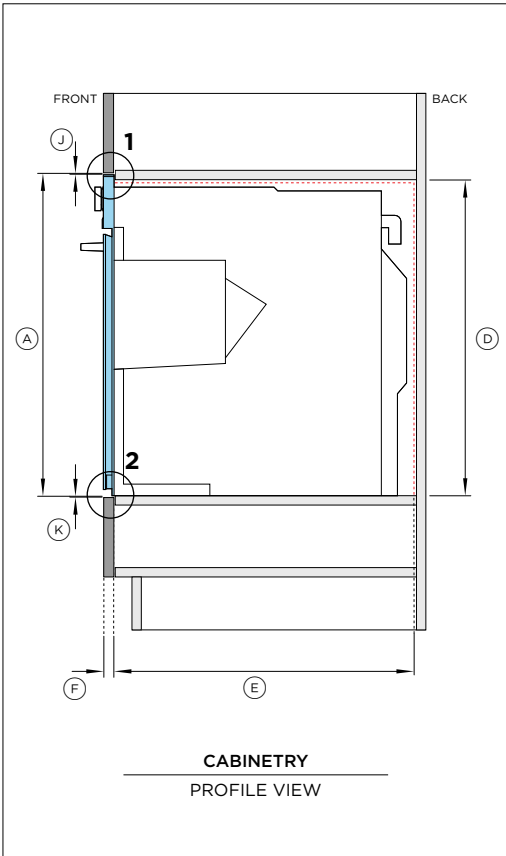
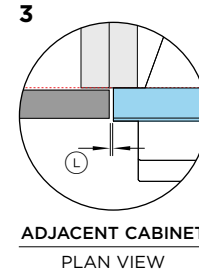
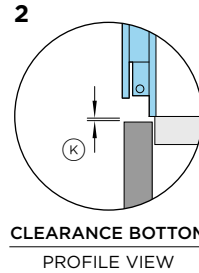
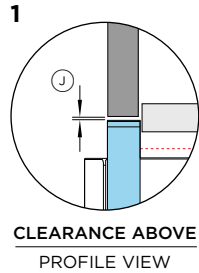
Product Dimensions	inch	mm
Ⓗ Overall height of product	27 3/16	690
Ⓘ Overall width of product	29 15/16	760
Ⓚ Thickness of oven control panel	1 9/16	40

Cabinetry Clearances	inch	mm
Ⓧ Minimum clearance above oven control panel to upper cabinetry front panel	1/16	2
Ⓛ Minimum clearance between bottom of oven chassis to lower cabinetry front panel	1/16	2
Ⓨ Minimum clearance between adjacent front panel or appliance	1/16	2

The models shown in this Planning Guide may not be available in all markets and are subject to change at any time. Product specifications may vary from those shown. This Planning Guide should not be used as installation guidance for any product. Further information is required to safely and correctly install the products featured here. Specific installation guidance will be available on our website fisherpaykel.com

COOKTOP CLEARANCE

If installing a cooktop above the oven, ensure adequate clearance is provided for the cooktop as per the cooktop manufacturer's instructions.



Model no:
Combination Steam Oven, 30" - OS30SDTDB1

Cabinetry Dimensions - Flush Installation	inch	mm
Ⓐ Overall cabinet height*	23 5/8	600
Ⓑ Overall cabinet width	30 1/16	764
Ⓒ Minimum inside width of cavity	28 1/2	724
Ⓓ Minimum inside height of cavity	22 13/16	580
Ⓔ Minimum inside depth of cavity	21 5/8	550
Ⓕ Thickness of cabinetry front panel**	5/8-13/16	16-20

*Overall cabinet height is overall product height with minimum clearance above oven control panel to upper cabinetry front panel

**Cabinetry shown in drawings 3/4" (19mm) panels. If the front panel is thinner than 13/16" (20mm) a rebate for the Oven is required to achieve a flush finish

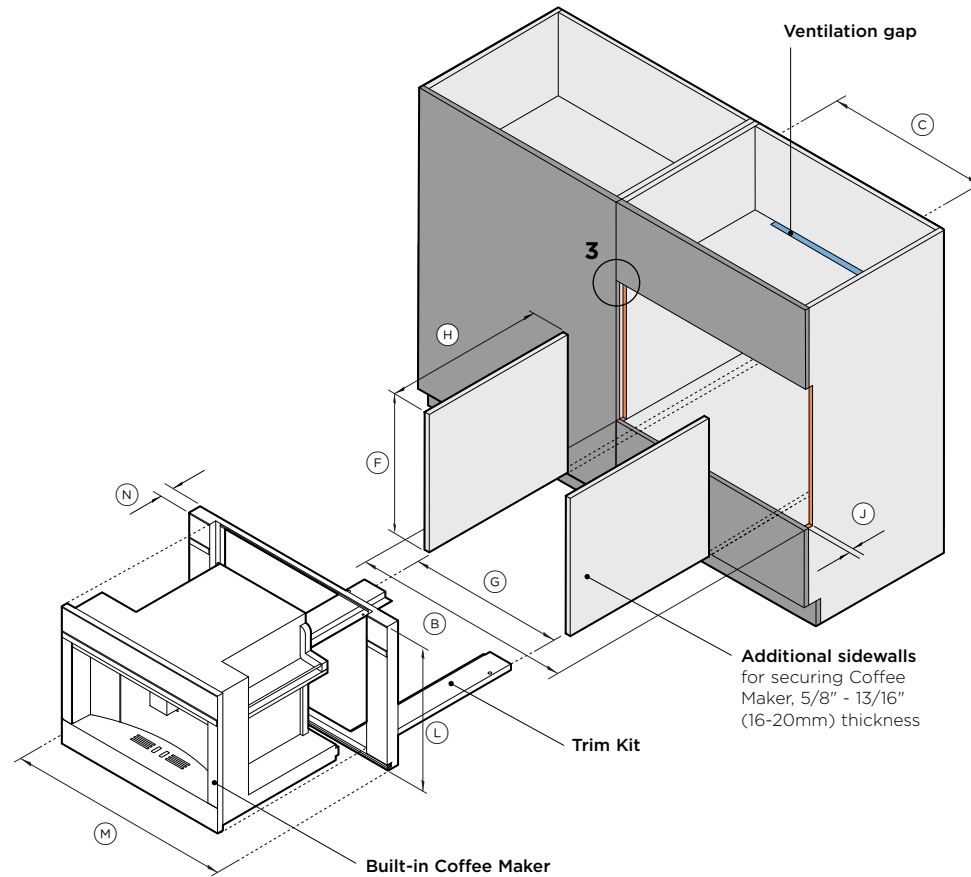
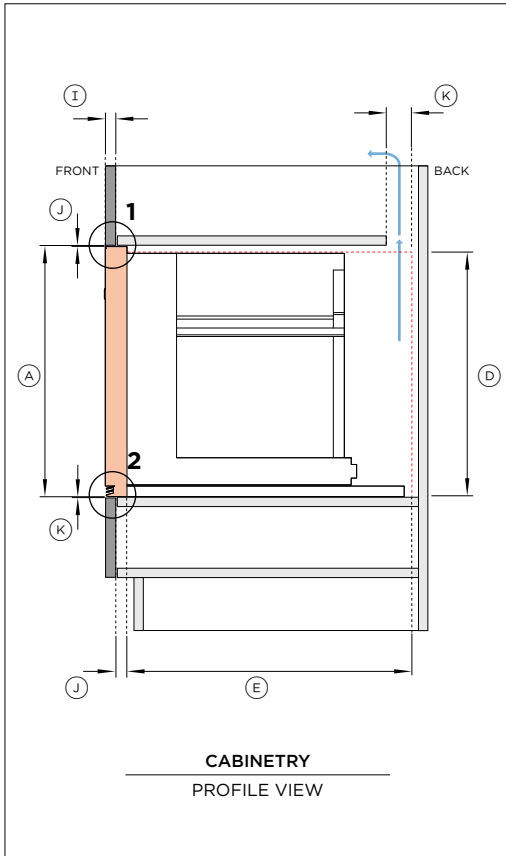
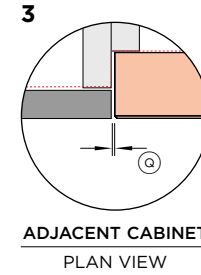
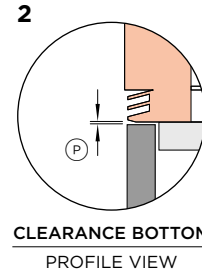
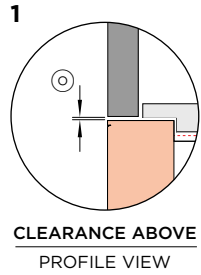
Product Dimensions	inch	mm
Ⓒ Overall height of product	23 9/16	598
Ⓓ Overall width of product	29 15/16	760
Ⓕ Thickness of oven front panel	13/16	20

Cabinetry Clearances	inch	mm
Ⓘ Minimum clearance above oven control panel to upper cabinetry front panel	1/16	2
Ⓧ Minimum clearance between bottom of oven chassis to lower cabinetry front panel	1/16	2
Ⓛ Minimum clearance between adjacent front panel or appliance	1/16	2

The models shown in this Planning Guide may not be available in all markets and are subject to change at any time. Product specifications may vary from those shown. This Planning Guide should not be used as installation guidance for any product. Further information is required to safely and correctly install the products featured here. Specific installation guidance will be available on our website fisherpaykel.com

VENTILATION

Ventilation of 2" x 22 1/16" (50mm x 560mm) or totalling 43.4in² (280cm²) is required. The air vent must be located at the rear of cabinet, it can be positioned at the base, top, sides, or back.



Model no:

Built-in Coffee Maker, 24" - EB24DSXBBI
Trim Kit, 30" - TK30NDBB1

Cabinetry Dimensions - Flush Installation	inch	mm
Ⓐ Overall cabinet height with trim kit*	18 7/8	480
Ⓑ Overall cabinet width	30 1/16	764
Ⓒ Minimum inside width of cavity	22 1/16	560
Ⓓ Minimum inside height of cavity	18 1/2	470
Ⓔ Minimum inside depth of cavity	22 7/16	570
Ⓕ Minimum height of additional side walls	18 1/2	470
Ⓖ Width between additional side walls	22 1/16	560
Ⓖ Minimum depth of additional side walls	22 7/16	570
Ⓗ Thickness of cabinetry front panel**	3/4	19
Ⓘ Thickness of rebate for control panel	13/16	21
Ⓚ Ventilation gap***	2	50

*Overall cabinet height is overall product height with minimum clearance above coffee maker control panel to upper cabinetry front panel

**Cabinetry shown in drawings 3/4" (19mm) panels.

***A rear ventilation air vent totalling 43.4in² (280cm²) is required. The air vent must be located at the rear of the cabinet, it can be positioned at the base, sides, back or top of the cavity.

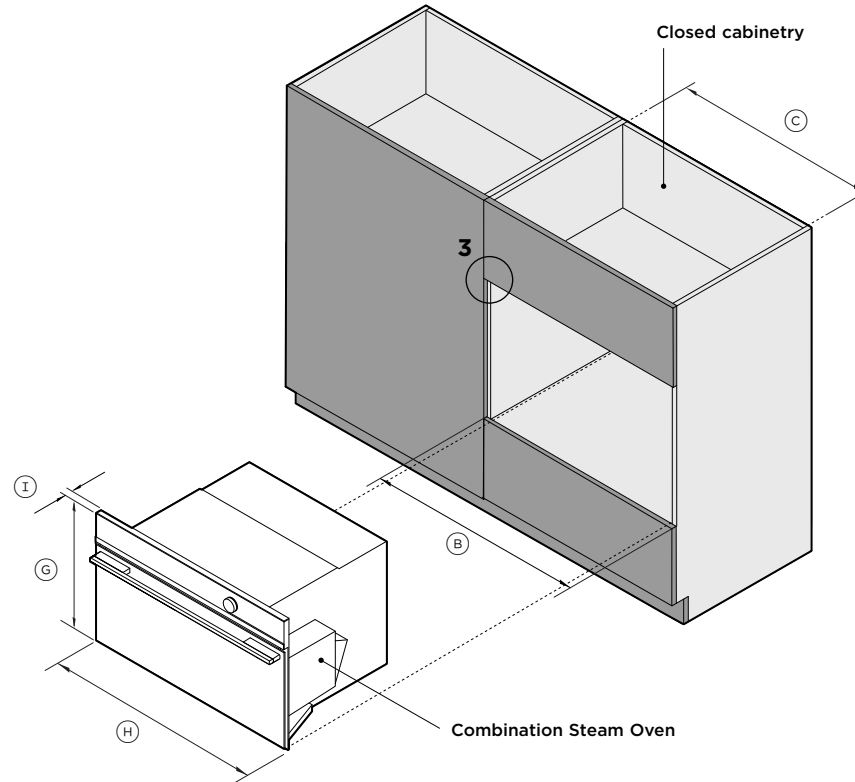
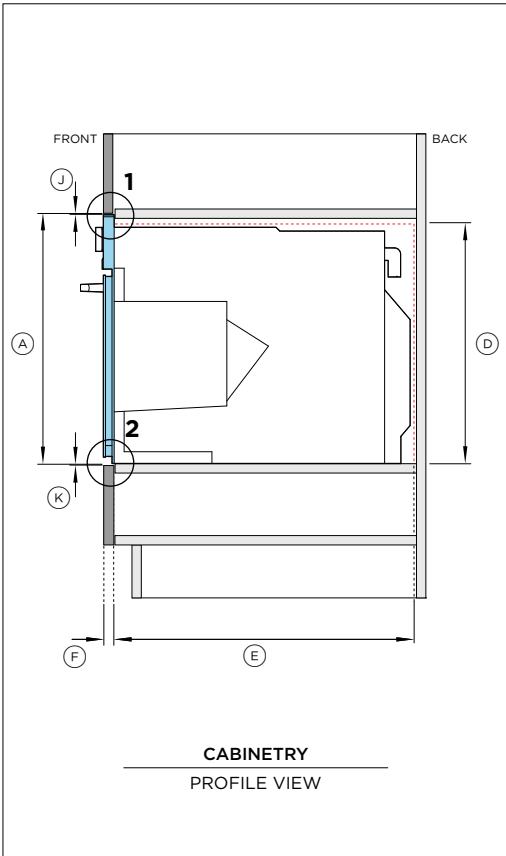
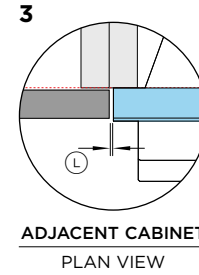
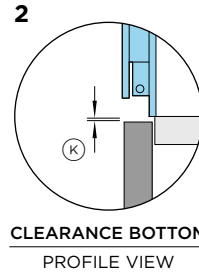
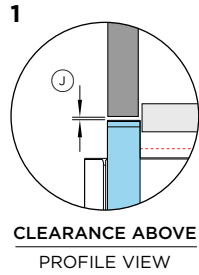
Product Dimensions	inch	mm
Ⓛ Overall height of trim kit	18 13/16	478
Ⓜ Overall width of trim kit	29	757
Ⓝ Thickness of trim kit front panel	1 9/16	40

Cabinetry Clearances	inch	mm
Ⓞ Minimum clearance above trim kit front panel to upper cabinetry front panel	1/16	2
Ⓟ Minimum clearance between bottom of trim kit to lower cabinetry front panel	1/16	2
Ⓠ Minimum clearance between adjacent front panel or appliance	1/16	2

The models shown in this Planning Guide may not be available in all markets and are subject to change at any time. Product specifications may vary from those shown. This Planning Guide should not be used as installation guidance for any product. Further information is required to safely and correctly install the products featured here. Specific installation guidance will be available on our website fisherpaykel.com

COOKTOP CLEARANCE

If installing a cooktop above the oven, ensure adequate clearance is provided for the cooktop as per the cooktop manufacturer's instructions.



Model no:
Combination Steam Oven, 30" - OS30NDTDB1

Cabinetry Dimensions - Flush Installation		inch	mm
Ⓐ	Overall cabinet height*	18 1/8	460
Ⓑ	Overall cabinet width	30 1/16	764
Ⓒ	Minimum inside width of cavity	28 1/2	724
Ⓓ	Minimum inside height of cavity	17 5/16	440
Ⓔ	Minimum inside depth of cavity	21 5/8	550
Ⓕ	Thickness of cabinetry front panel**	5/8-13/16	16-20

*Overall cabinet height is overall product height with minimum clearance above oven control panel to upper cabinetry front panel

**Cabinetry shown in drawings 3/4" (19mm) panels. If the front panel is thinner than 13/16" (20mm) a rebate for the Oven is required to achieve a flush finish

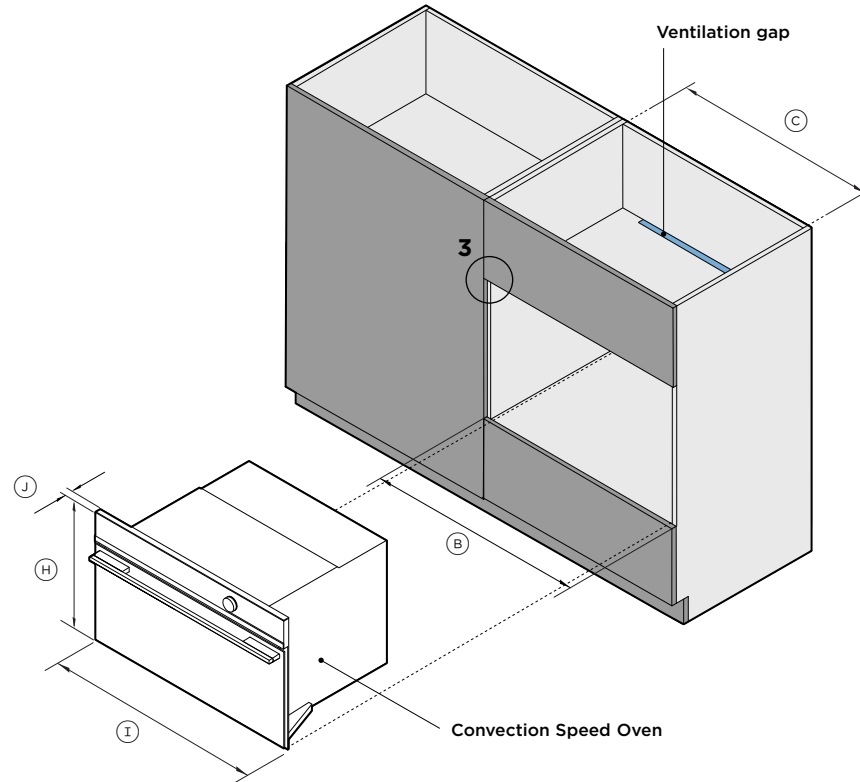
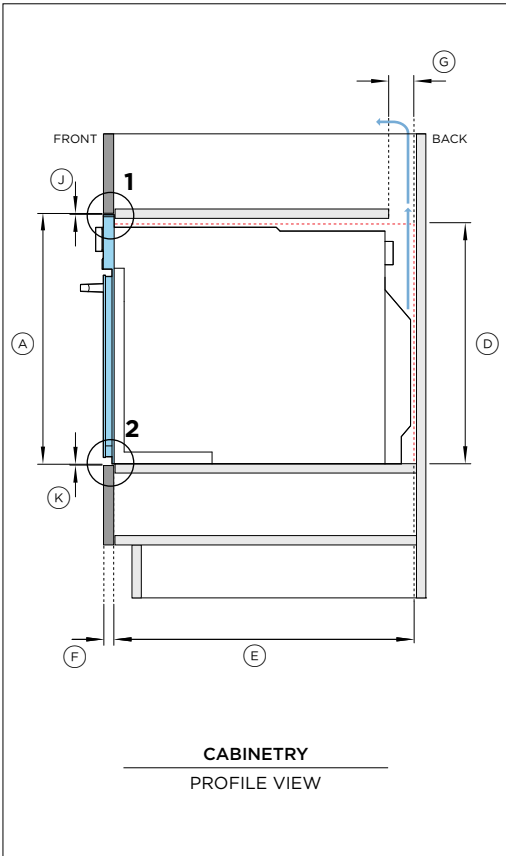
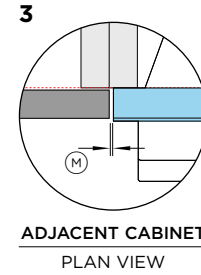
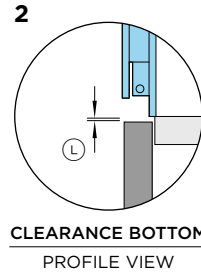
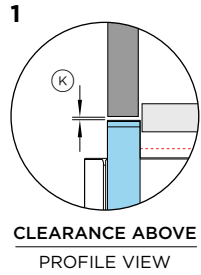
Product Dimensions		inch	mm
Ⓒ	Overall height of product	18	458
Ⓓ	Overall width of product	29 15/16	760
Ⓕ	Thickness of oven front panel	13/16	20

Cabinetry Clearances		inch	mm
Ⓙ	Minimum clearance above oven control panel to upper cabinetry front panel	1/16	2
Ⓚ	Minimum clearance between bottom of oven chassis to lower cabinetry front panel	1/16	2
Ⓛ	Minimum clearance between adjacent front panel or appliance	1/16	2

The models shown in this Planning Guide may not be available in all markets and are subject to change at any time. Product specifications may vary from those shown. This Planning Guide should not be used as installation guidance for any product. Further information is required to safely and correctly install the products featured here. Specific installation guidance will be available on our website fisherpaykel.com

VENTILATION

Ventilation of 2" x 22 1/16" (50mm x 560mm) or totalling 43.4in² (280cm²) is required. The air vent must be located at the rear of cabinet, it can be positioned at the base, top, sides, or back.



Model no:
Convection Speed Oven, 30" - OM30NDTDB1

Cabinetry Dimensions - Flush Installation		inch	mm
Ⓐ	Overall cabinet height*	18 1/8	460
Ⓑ	Overall cabinet width	30 1/16	764
Ⓒ	Minimum inside width of cavity	28 1/2	724
Ⓓ	Minimum inside height of cavity	17 5/16	440
Ⓔ	Minimum inside depth of cavity	21 5/8	550
Ⓕ	Thickness of cabinetry front panel**	5/8-13/16	16-20
Ⓖ	Ventilation gap***	2	50

*Overall cabinet height is overall product height with minimum clearance above oven control panel to upper cabinetry front panel

**Cabinetry shown in drawings 3/4" (19mm) panels. If the front panel is thinner than 13/16" (20mm) a rebate for the Oven is required to achieve a flush finish

***A rear ventilation air vent totalling 43.4in² (280cm²) is required. The air vent must be located at the rear of the cabinet, it can be positioned at the base, sides, back or top of the cavity.

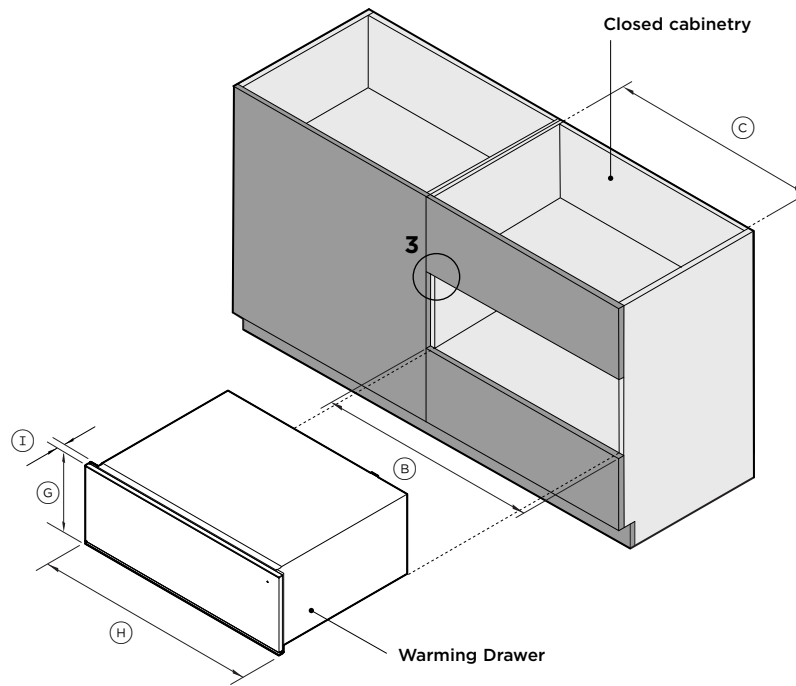
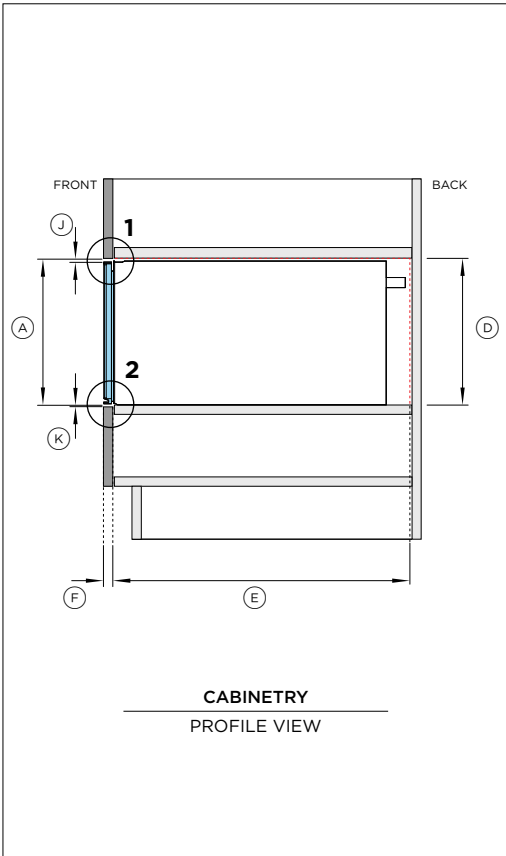
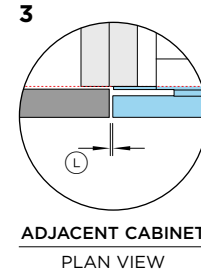
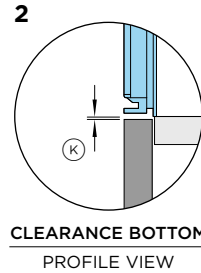
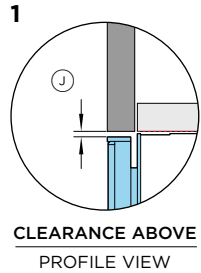
Product Dimensions		inch	mm
Ⓐ	Overall height of product	18	458
Ⓐ	Overall width of product	29 15/16	760
Ⓐ	Thickness of oven front panel	13/16	20

Cabinetry Clearances		inch	mm
Ⓚ	Minimum clearance above oven control panel to upper cabinetry front panel	1/16	2
Ⓒ	Minimum clearance between bottom of oven chassis to lower cabinetry front panel	1/16	2
Ⓚ	Minimum clearance between adjacent front panel or appliance	1/16	2

The models shown in this Planning Guide may not be available in all markets and are subject to change at any time. Product specifications may vary from those shown. This Planning Guide should not be used as installation guidance for any product. Further information is required to safely and correctly install the products featured here. Specific installation guidance will be available on our website fisherpaykel.com

NOTE

The Warming Drawer can fully support a 30inch Fisher & Paykel oven, without adding a shelf in between.



Model no:

Warming Drawer, 30" - WB30SDB1-SET

Cabinetry Dimensions - Flush Installation	inch	mm
Ⓐ Overall cabinet height*	10 13/16	275
Ⓑ Overall cabinet width	30 1/16	764
Ⓒ Minimum inside width of cavity	28 1/2	724
Ⓓ Minimum inside height of cavity	10 3/4	273
Ⓔ Minimum inside depth of cavity	22 13/16	580
Ⓕ Thickness of cabinetry front panel**	5/8-13/16	16-20

*Overall cabinet height is overall product height with minimum clearance above drawer front panel to upper cabinetry front panel

**Cabinetry shown in drawings 3/4" (19mm) panels. If the front panel is thinner than 13/16" (20mm) a rebate for the drawer is required to achieve a flush finish

Product Dimensions	inch	mm
Ⓓ Overall height of product	10 11/16	271
Ⓖ Overall width of product	29 15/16	760
Ⓘ Thickness of warming drawer front panel and flange	13/16	20

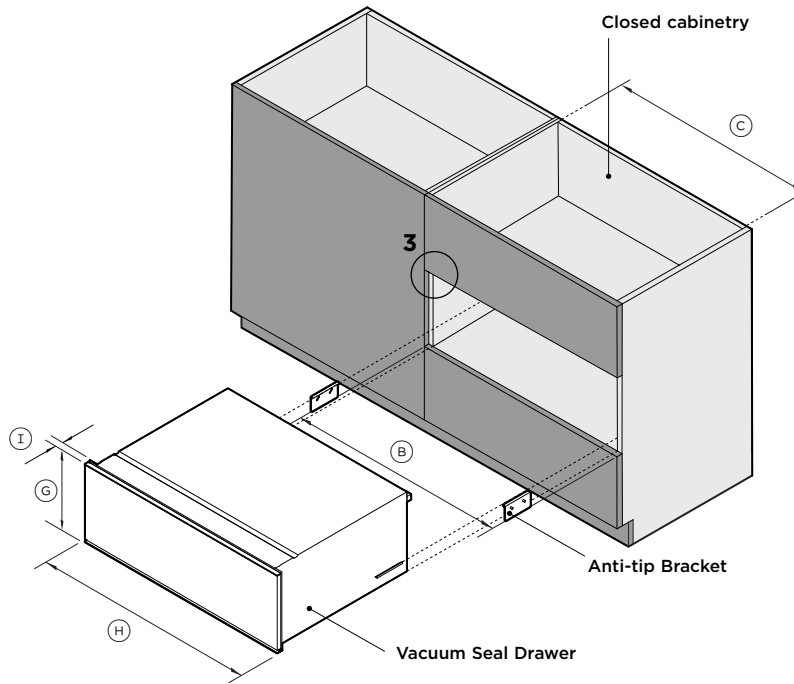
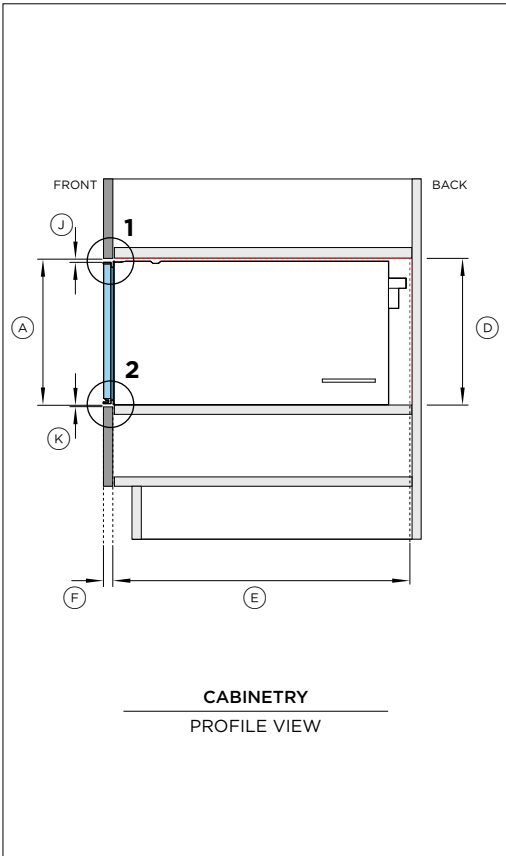
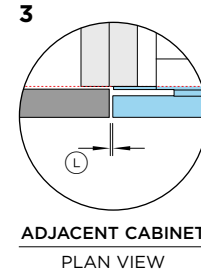
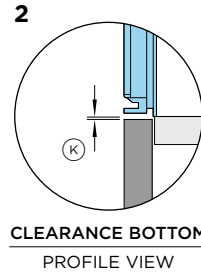
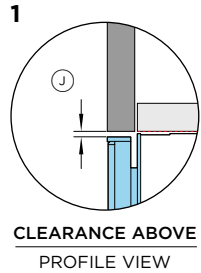
Cabinetry Clearances	inch	mm
Ⓙ Minimum clearance above drawer front panel to upper cabinetry front panel*	5/32	4
Ⓚ Minimum clearance between bottom of drawer chassis to lower cabinetry front panel	1/16	2
Ⓛ Minimum clearance between adjacent front panel or appliance	1/16	2

*Achieve a smaller gap between drawer front panel to upper cabinetry front panel by dropping cabinetry front panel down

The models shown in this Planning Guide may not be available in all markets and are subject to change at any time. Product specifications may vary from those shown. This Planning Guide should not be used as installation guidance for any product. Further information is required to safely and correctly install the products featured here. Specific installation guidance will be available on our website fisherpaykel.com

NOTE

The Vacuum Seal Drawer can fully support a 30inch Fisher & Paykel oven, without adding a shelf in between.



Model no:

Vacuum Seal Drawer 30" - VB30SDB1-SET

Cabinetry Dimensions - Flush Installation	inch	mm
Ⓐ Overall cabinet height*	10 13/16	275
Ⓑ Overall cabinet width	30 1/16	764
Ⓒ Minimum inside width of cavity	28 1/2	724
Ⓓ Minimum inside height of cavity	10 3/4	273
Ⓔ Minimum inside depth of cavity	22 13/16	580
Ⓕ Thickness of cabinetry front panel**	5/8-13/16	16-20

*Overall cabinet height is overall product height with minimum clearance above drawer front panel to upper cabinetry front panel

**Cabinetry shown in drawings 3/4" (19mm) panels. If the front panel is thinner than 13/16" (20mm) a rebate for the drawer is required to achieve a flush finish

Product Dimensions	inch	mm
Ⓖ Overall height of product	10 11/16	271
Ⓗ Overall width of product	29 15/16	760
Ⓘ Thickness of vacuum seal drawer front panel and flange	13/16	20

Cabinetry Clearances	inch	mm
Ⓣ Minimum clearance above drawer front panel to upper cabinetry front panel*	5/32	4
Ⓥ Minimum clearance between bottom of drawer chassis to lower cabinetry front panel	1/16	2
Ⓦ Minimum clearance between adjacent front panel or appliance	1/16	2

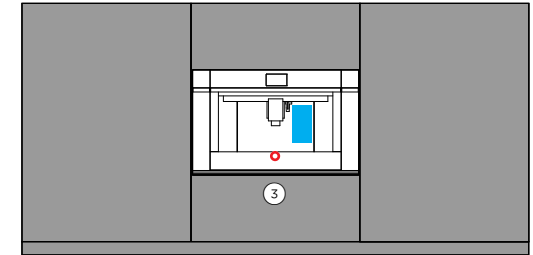
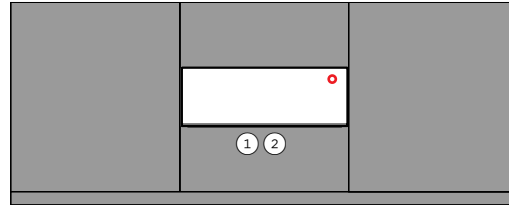
*Achieve a smaller gap between drawer front panel to upper cabinetry front panel by dropping cabinetry front panel down

The models shown in this Planning Guide may not be available in all markets and are subject to change at any time. Product specifications may vary from those shown. This Planning Guide should not be used as installation guidance for any product. Further information is required to safely and correctly install the products featured here. Specific installation guidance will be available on our website fisherpaykel.com

SERVICES

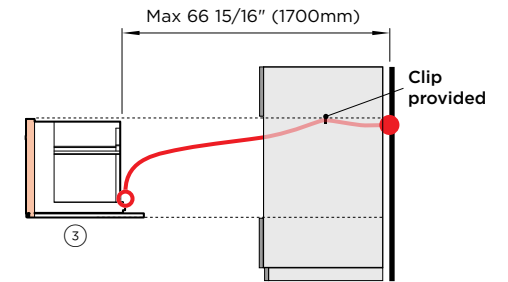
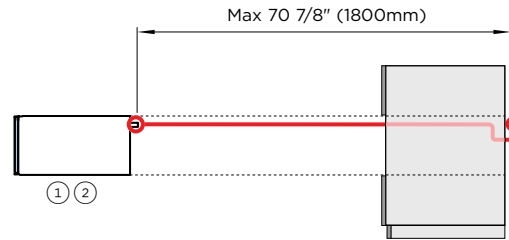
CONNECTION



Connections may be located in an adjacent cabinet to either side of the appliance. Ensure power will remain accessible following install to allow access for any future product maintenance.



BUILT-IN COFFEE MAKER

The power cable must be long enough to allow the appliance to be extracted from the cabinet to fill the coffee bean container. Fix the power cable with the clip.



-  Power Cable
-  Water Tank

① **VACUUM SEAL DRAWER**
VB30SDB1-SET

② **WARMING DRAWER**
WB30SDB1-SET

③ **BUILT-IN COFFEE MAKER**
EB24DSXBB1

POWER CORD

Maximum power cord length*	70 7/8" (1800mm)	70 7/8" (1800mm)	66 15/16" (1700mm)
Location	Upper right	Upper right	Lower centered
Connection	Flex cord	Flex cord	Flex cord

*Measured from power outlet

WATER

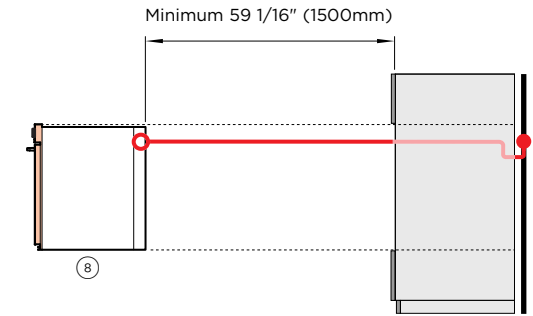
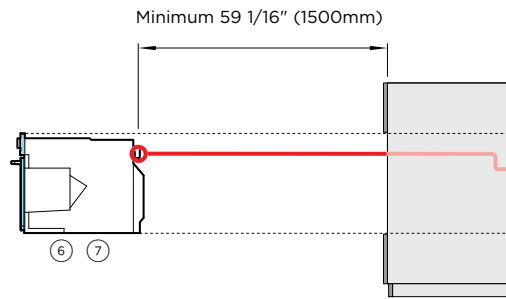
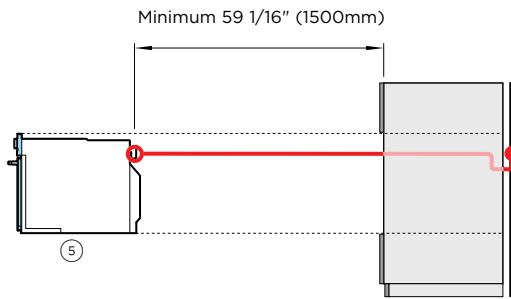
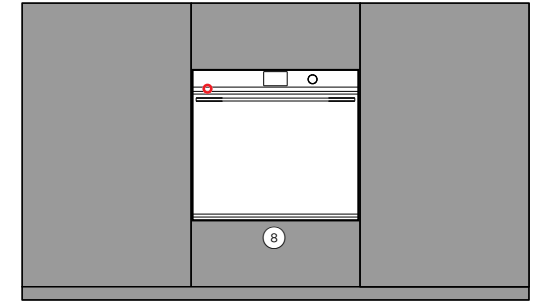
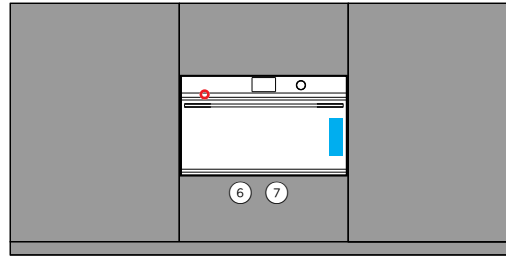
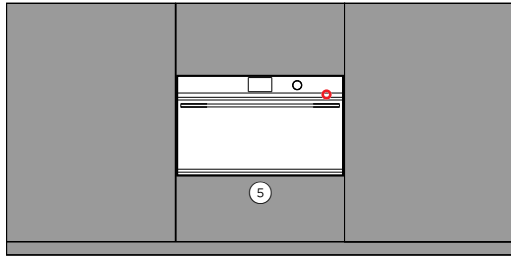
Total Capacity	-	-	84.5 fl oz (2.4L)
Location	-	-	Water tank (internal)


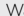
ELECTRICAL

Supply	120 V, 60 Hz	120 V, 60 Hz	120 V, 60 Hz
Service	10 A	10 A	10 A

Note: Multiple product installation requires the design of power outlets according to local regulations.

The models shown in this Planning Guide may not be available in all markets and are subject to change at any time. Product specifications may vary from those shown. This Planning Guide should not be used as installation guidance for any product. Further information is required to safely and correctly install the products featured here. Specific installation guidance will be available on our website fisherpaykel.com



 Power Cable
 Water Tank

⑤ **CONVECTION SPEED OVEN**
OM30NDTDB1

⑥ **COMBINATION STEAM OVEN**
OS30NDTDB1

⑦ **COMBINATION STEAM OVEN**
OS30SDTDB1

⑧ **OVEN**
OB30SDPTDB1
OB30SDPTB1

POWER CORD			
Power cord free length	Minimum 59 1/16" (1500mm)*	Minimum 59 1/16" (1500mm)*	Minimum 59 1/16" (1500mm)*
Location	Upper right	Upper left	Upper left
Connection	Hard wire**	Hard wire**	Hard wire**

*The electrician provides sufficient free length of power supply cable to reach from the bottom rear of the cavity to at least 59 1/16" (1500mm) in front of the bottom edge of the opening

**For more information, refer to the Installation Guide. Ensure power will remain accessible following install to allow access for any future product maintenance.

WATER			
Total Capacity	-	47.3 fl oz (1.4L)	47.3 fl oz (1.4L)
Location	-	Water tank (internal)	Water tank (internal)

ELECTRICAL			
Supply	208 or 240 V, 60 Hz	208 or 240 V, 60 Hz	208 or 240 V, 60 Hz
Service	20 A	20 A	20 A

Note: Multiple product installation requires the design of power outlets according to local regulations.

The models shown in this Planning Guide may not be available in all markets and are subject to change at any time. Product specifications may vary from those shown. This Planning Guide should not be used as installation guidance for any product. Further information is required to safely and correctly install the products featured here. Specific installation guidance will be available on our website fisherpaykel.com

