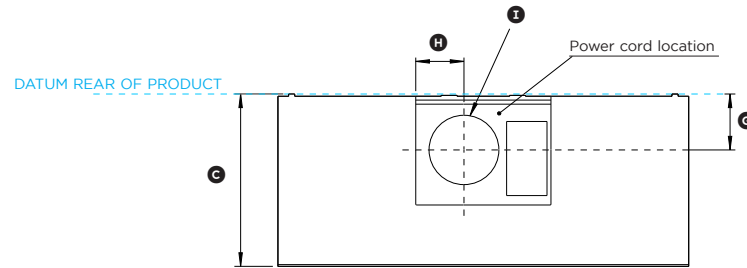
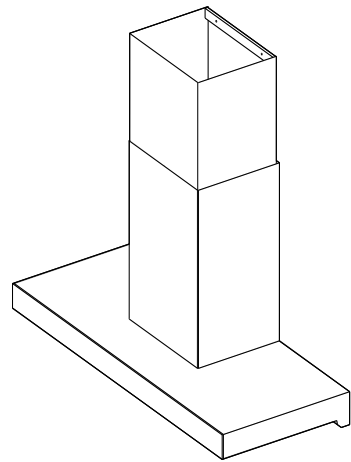
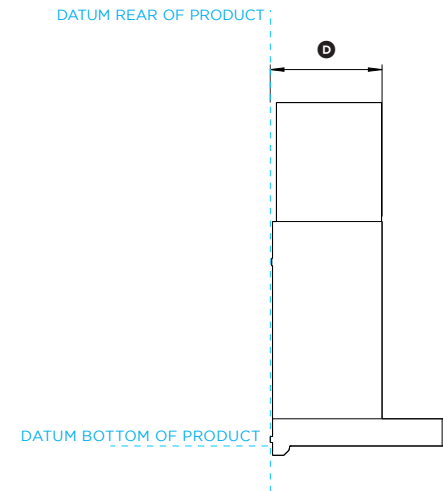


FISHER & PAYKEL

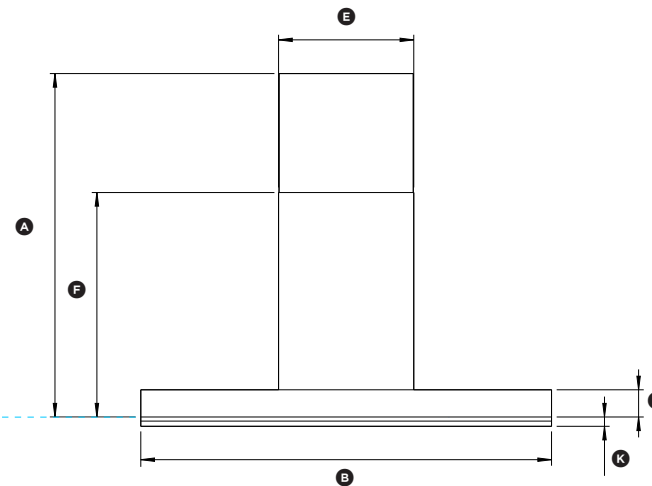
DATA SHEET Rangehood, 120cm



PLAN VIEW



PROFILE VIEW



FRONT VIEW



Model no:
HC120BCX2

Product Dimensions	mm
Ⓐ Overall height of product	min. 675 - max. 1035
Ⓑ Overall width of product	1200
Ⓒ Overall depth of rangehood	505
Ⓓ Depth of chimney	327
Ⓔ Width of chimney	395
Ⓕ Height from datum to top of lower chimney section	600
Ⓖ Distance from centre of ducting outlet to rear of product	165
Ⓗ Distance from centre of ducting outlet to side of chimney	141
Ⓘ Ducting outlet diameter	200
Ⓚ Height of canopy	80
Ⓛ Height of grease management tray	27

Height from base of rangehood to cooktop surface	mm
Gas	650 - 750
Electric (Including induction)	600 - 750

*A rear ventilation air vent totalling 280cm² is required. The air vent must be located at the rear of cabinet. It can be positioned at the base, sides, back or top of the cavity.

IMPORTANT NOTE: For full installation and clearance details please refer to our installation manual.

INDICATES CABINETRY / PRODUCT DATUM -----

DATE: 21.02.2023

90003031A

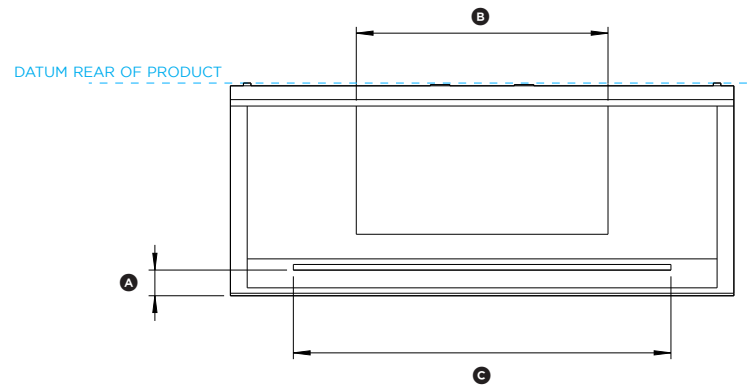
IMPORTANT NOTE: Throughout this guide, dimensions may vary by $\pm 2\text{mm}$ (1/16"). Please read the installation manual for detailed information on installing the product. For full installation instructions & specifications visit fisherpaykel.com

FISHER & PAYKEL

DATA SHEET
Rangehood, 120cm

Model no:
HC120BCX2

Product Dimensions	mm
Ⓐ Distance to light strip	61
Ⓑ Overall width of vent surface	600
Ⓒ Overall width of light strip	900



BOTTOM VIEW

*A rear ventilation air vent totalling 280cm² is required. The air vent must be located at the rear of cabinet. It can be positioned at the base, sides, back or top of the cavity.

IMPORTANT NOTE: For full installation and clearance details please refer to our installation manual.

INDICATES CABINETRY / PRODUCT DATUM -----

DATE: 21.02.2023

90003031A

IMPORTANT NOTE: Throughout this guide, dimensions may vary by ± 2 mm (1/16"). Please read the installation manual for detailed information on installing the product. For full installation instructions & specifications visit fisherpaykel.com