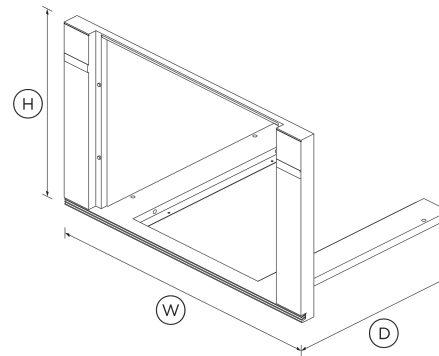


30" Series 9 Minimal Trim Kit

Series 9 | Minimal

Black



SPECIFICATIONS

Product Dimensions

Depth	20 7/8 "
Height	18 13/16 "
Width	29 13/16 "

SKU 81939

The product dimensions and specifications in this page apply to the specific product and model. Under our policy of continuous improvement, these dimensions and specifications may change at any time. You should therefore check with Fisher & Paykel's Customer Care Centre to ensure this page correctly describes the model currently available. © Fisher & Paykel Appliances Ltd 2020

Other product downloads available at fisherpaykel.com

- [↓ Service & Warranty](#)
- [↓ Installation Guide - Coffee Maker](#)
- [↓ Installation Guide - Microwave Oven](#)
- [↓ Planning Guide - Minimal 30" Built-in Ovens and Companions](#)

Where applicable:

All appliances use energy, and energy usage typically generates carbon emissions. **Fisher & Paykel Appliances' In-use Energy Carbon Emissions Estimate** indicates carbon emissions from a product's in-use energy. This is calculated either annually or per cycle, using the product's market-specific energy label energy consumption data multiplied by the carbon emissions factor for energy in your country or region.

Our In-use Energy Carbon Emissions Estimate is designed to assist customers in making informed purchasing decisions when comparing different Fisher & Paykel products. For example, a heat pump dryer typically has a lower In-use Energy Carbon Emissions Estimate than a vented dryer.



A PEACE OF MIND SALE
 24 Hours 7 Days a Week Customer Support
 T 1.888.936.7872 W www.fisherpaykel.com

Allows our Built-in Coffee Maker (EB60DSXBB1), Combination Steam Oven (OS60NDBB1) or Combination Microwave Oven (OM60NDBB1), to be paired with the 30" Oven.

- This is Minimal style, to pair with other Minimal style products

DIMENSIONS

Height	18 13/16 "
Width	29 13/16 "
Depth	20 7/8 "