

# **FISHER & PAYKEL**

## **FABRIC CARE SOLUTION**

---

### **STACKED INSTALLATION**

WH1160HG1, WH1160H1, DH9060HG1, DH9060H1, DH9060HLG1,  
DH9060HL1, FC1260HG1, FC1260H1, FM2060SG1 and FM2060S1  
models

**INSTALLATION GUIDE**

**NZ AU**

## COMPONENTS REQUIRED

---

### TOOLS

---

#### Supplied

- 6mm Allen key
- Spanner (washer)
- Spanner (plinth)

#### Not supplied

- Box cutter
- Phillips screwdriver
- Level

### PARTS

---

#### Supplied and required

- 4x M10 bolts
- 2x plinth bolt hole covers
- 4x short stacking kit screws
- 2x long stacking kit screws

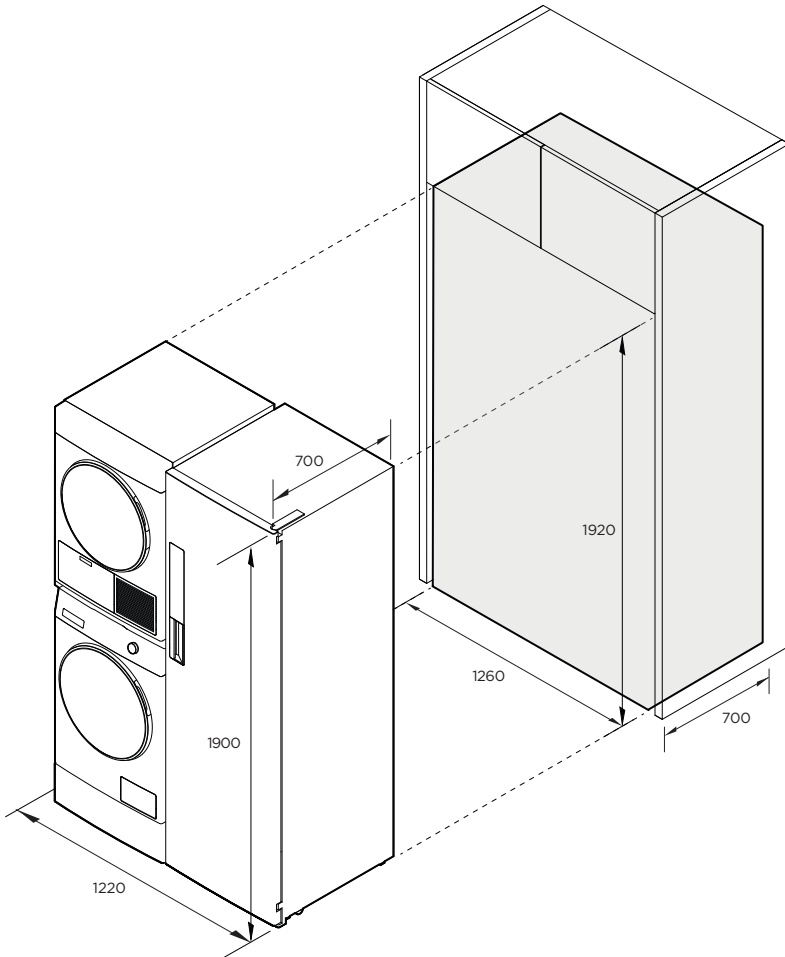
#### Supplied and to be discarded

- 2x dryer front brackets
- 2x dryer rear brackets
- 2x dryer rear mounting screws

## ACCESSING YOUR PRODUCT SPECIFICATIONS



For full product, cabinetry and service specifications, refer to the Planning Guide. To access the Planning Guide, scan the QR code or visit [fisherpaykel.com/specify](http://fisherpaykel.com/specify). Search by appliance type, product name or model code.



## PRIOR TO INSTALLATION

---



[fisherpaykel.com/specify](https://fisherpaykel.com/specify)

1. Ensure cabinetry and servicing specifications have been met and clearances have been considered.

Refer to the Planning Guide for details.



2. Ensure floor is level and clear and a finished return has been created.



3. Ensure power will remain accessible following install to allow access for any future product maintenance.

Service holes should be smooth with gromets installed where required.

Refer to the services section of the Planning Guide for more details.

## UNPACK ALL PRODUCTS

---



### Washer and Dryer:

Cut the straps and the line printed on the top of the carton. Lift to remove. Discard braces and corner posts. Remove any packaging and accessories from the drum and base packer.

Dispose of packaging responsibly.



### Fabric Care Cabinet:

Cut the straps and the line printed on the back of the carton. Cut to the nearest corner and remove sleeve. Discard braces, corner posts and sleeve.

Remove packaging and accessories from inside cabinet.

Dispose of packaging responsibly.



### Plinth:

Cut the straps and tape to open the carton from the top. Remove the EPS cap before lifting the plinth out.

Set cardboard aside for later use. **Ensure accessories are removed from the EPS cap before discarding EPS and rubber spacers responsibly.**

## UNPACK ALL PRODUCTS

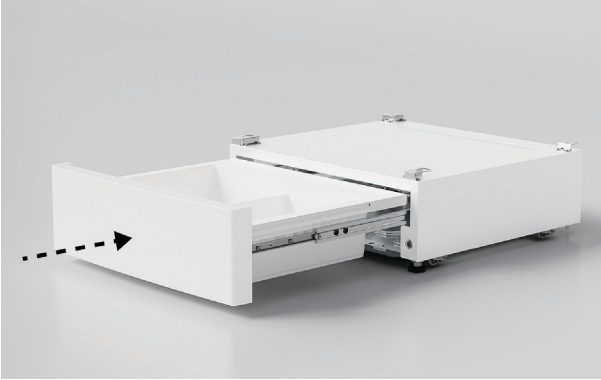
---



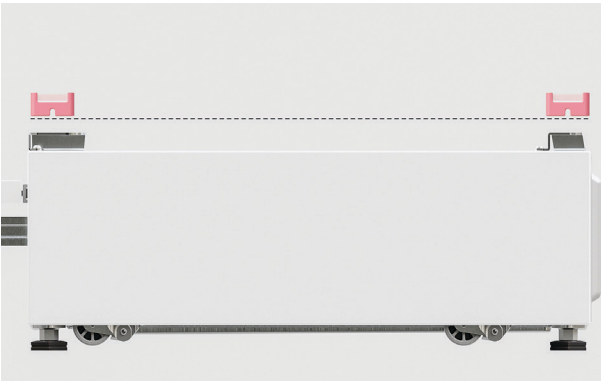
Protect flooring before positioning products as close to the installation location as possible, ensuring enough working room is left available.

## LEVEL PLINTH

---



**1.** Push the front of the plinth to open. Remove the divider before closing the drawer.



**2.** Place the plinth in its final install location. Adjust the feet using the supplied spanner until the washer is level front to back and corner to corner.



**3.** Using the spanner provided, tighten the lock nuts against the base of the plinth to lock the feet in position.

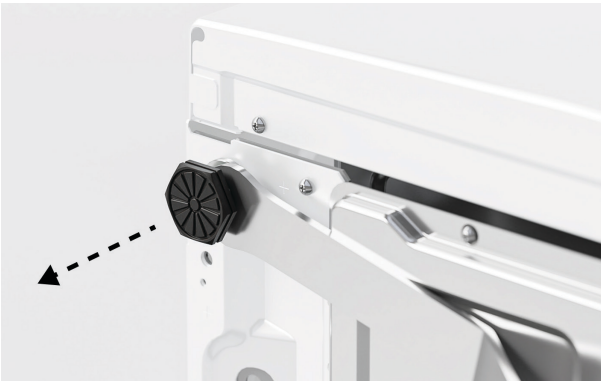
Recheck that the plinth is level, front to back and side to side. Once level, move the plinth to an accessible location to allow washer/dryer to be installed.

## FIT WASHER TO PLINTH

---



1. Tilt the washer back onto a protected surface such as the plinth carton. Ensure cords and hoses are not crushed. For new products, we recommend keeping the transit bolts fitted during this step.



2. Unwind feet using the supplied spanner to remove.



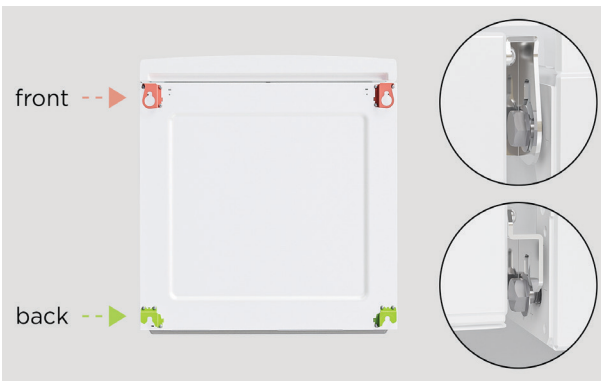
3. Partially fit the four M10 bolts supplied with the storage plinth to the washer.



## FIT WASHER TO PLINTH



4. Using the spanner provided as a spacer, ensure a 4mm gap is left between the bolt head and the chassis.



5. Align all four brackets to the M10 bolts on the washer and slot into place.



6. Ensure plinth is aligned on both sides as shown before tightening the front bolts with the supplied spanner.

## FIT WASHER TO PLINTH

---



7. Lift the washer upright, avoiding lifting from the lid. Take care as storage drawer may open.



8. Tighten the rear bolts.

## REMOVE WASHER TRANSIT BOLTS



1. Using the supplied spanner, remove all four transit bolts from the back of the washer.

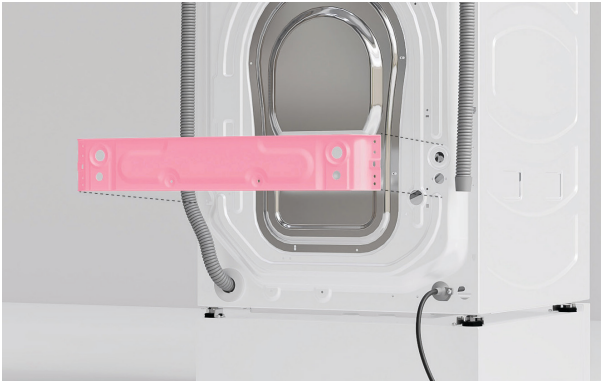


2. Pull the rubber grommets and spacers outwards to remove.

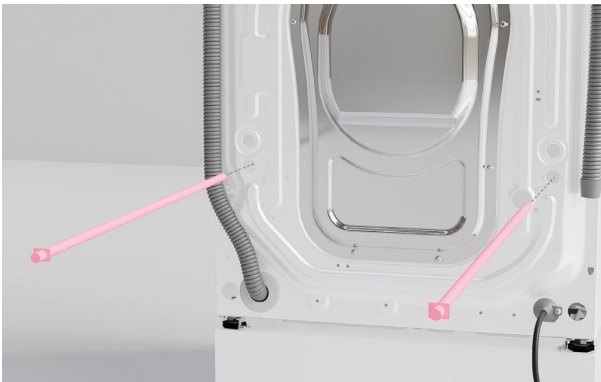


3. Using a Phillips screwdriver, remove the two side brackets.

## REMOVE WASHER TRANSIT BOLTS



4. Remove and discard the braces.



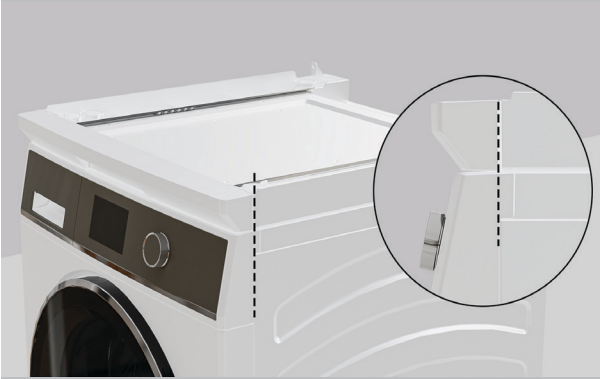
5. Pull the two transit rods outwards to remove.  
Set aside for future use.



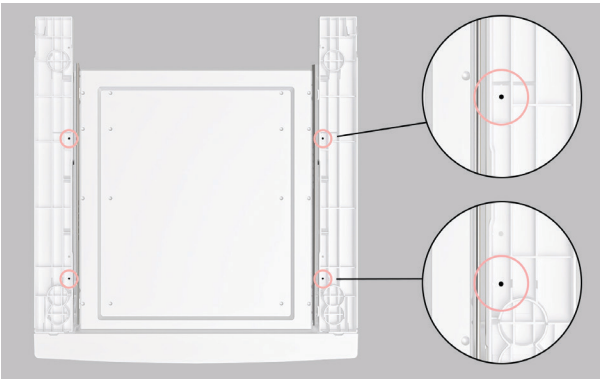
6. Cover the transit bolt holes using the supplied plugs.

## INSTALL STACKING KIT TO WASHER

---



1. Align the front corner of the stacking kit to the washer.



2. Secure the stacking kit to the washer using the four supplied short screws in the marked locations. If using a drill, the lowest torque setting is recommended.

## INSTALL DRYER TO STACKING KIT



1. Ensure stacking kit shelf is pushed all the way in and dryer feet have been fully wound in.



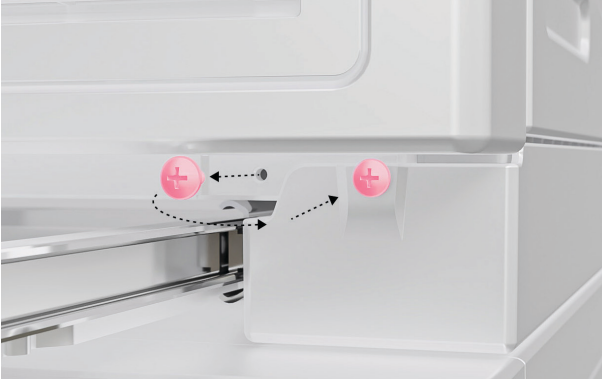
2. Lift dryer onto the stacking kit ensuring all four feet rest in the slots.



3. Using the two supplied long screws, secure the dryer to the stacking kit at the rear.

## INSTALL DRYER TO STACKING KIT

---

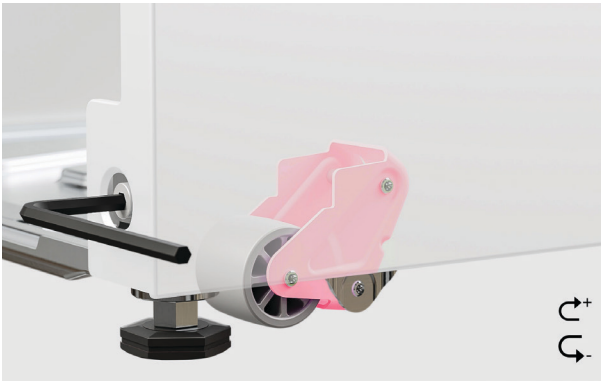


4. Remove the two screws from the front of the dryer and refit through the stacking kit.

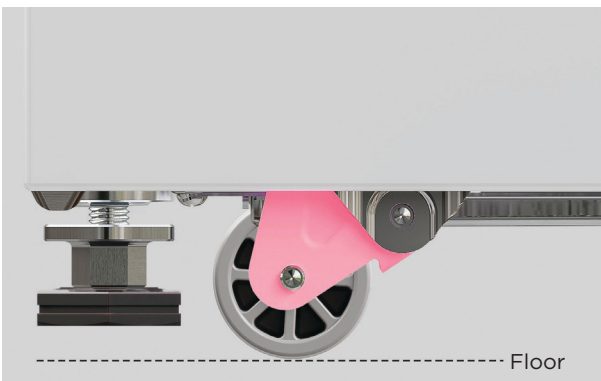
## LEVEL PRODUCT SET



1. We recommend levelling and installing stacked products into alcove before fabric care cabinet.



2. Partially roll stacked products into alcove and check alignment. To do this, use the supplied 6mm hex key, rotate clockwise to lower both sets of wheels via the adjustment screws.

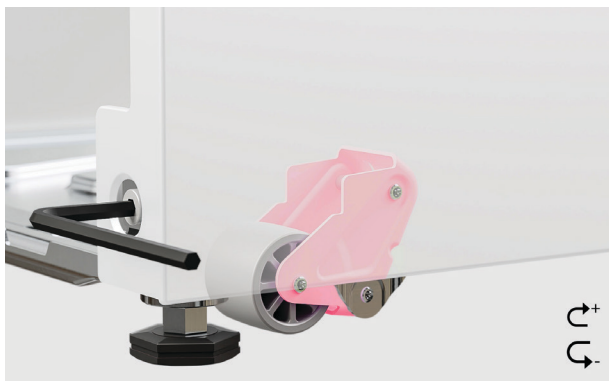


3. Ensure all feet are raised off the floor before rolling the plinth to the final install location.



## LEVEL PRODUCT SET

---



4. Using the supplied 6mm hex key, rotate counter-clockwise to raise both sets of wheels via the adjustment screws.

## CONNECT CABLES AND HOSES

---



[fisherpaykel.com/specify](https://fisherpaykel.com/specify)

1. Refer to the Planning Guide for service information.



### 2. Optional:

For displayed dryers, fit the drain hose extension if dryer can be plumbed.



### 3. Display-free models:

**Display-free models must be plumbed.**

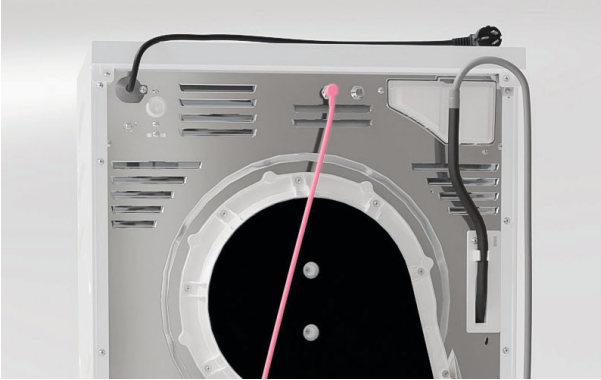
Unwind the drain hose.

#### **Plumbed installations:**

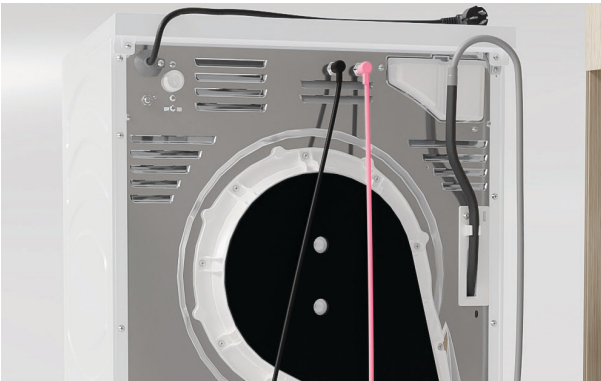
Ensure hose can be connected to a drain.

## CONNECT CABLES AND HOSES

---



- 4.** Remove caps from washer and dryer before fitting one of the communication cables. Connect the washer and dryer via the communication cable.



- 5.** Connect fabric care cabinet communication cable to dryer.



- 6.** Connect the angled end of the cold water hose (supplied with washer) to the dryer.

## CONNECT CABLES AND HOSES

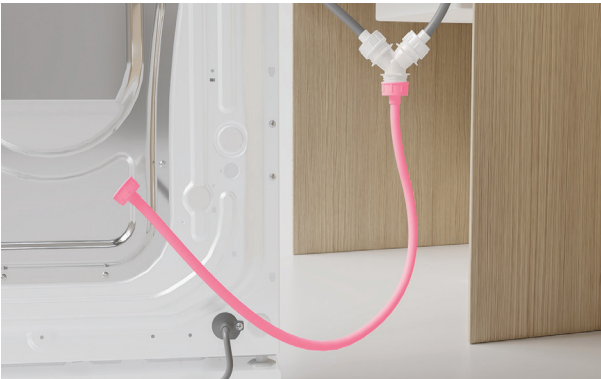
---



**7.** Connect the angled end of the short hose (supplied with dryer) to the cold water inlet on the washer.



**8.** Connect both hoses to the top of the Y join supplied with the dryer.



**9.** Connect the straight hose to the bottom of the Y join.

## CONNECT CABLES AND HOSES

---



**10.** Connect the angled end of hot hose to the orange outlet on the washer. If hot hose is not required, install a blanking cap.



**11.** Partially roll products into the alcove. Ensure fabric care cabinet communication cable is accessible from the rear of the dryer.



**12.** Route the power cables and hoses through service holes. Ensure power will remain accessible following install to allow access for any future product maintenance.

## CONNECT CABLES AND HOSES



**13.** Install the drain hose guide to the back wall.  
Refer to the planning guide for placement details.



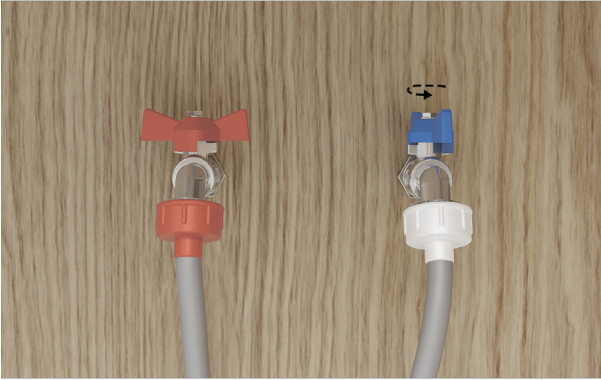
**14A. Standpipe Installations:**  
Route the drain hose through the guide and place into the standpipe.  
Ensure a maximum of 20mm of the hose rests in the standpipe.



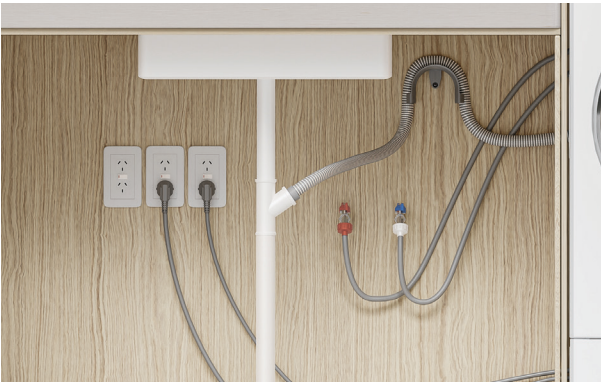
**14B. Spigot Installations:**  
Drill out blanking insert from the spigot.  
Route the drain hose through the guide and place into the spigot. Secure using a hose clamp.

## CONNECT CABLES AND HOSES

---



**15.** Connect hoses to taps before turning on. Check for leaks at all connection points.



**16.** Connect the power cables and check products are powered on and are connected.

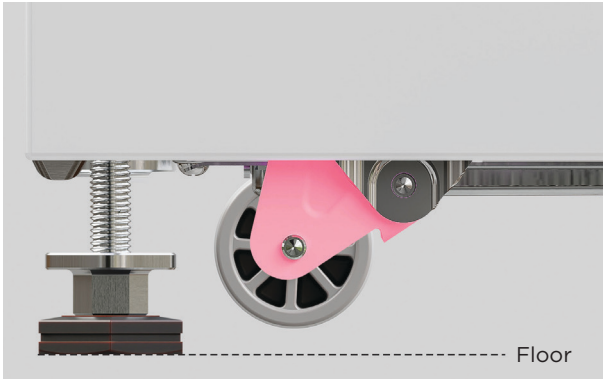


**17.** Roll products into the alcove.

Take care not to damage hoses or cords.

## CONNECT CABLES AND HOSES

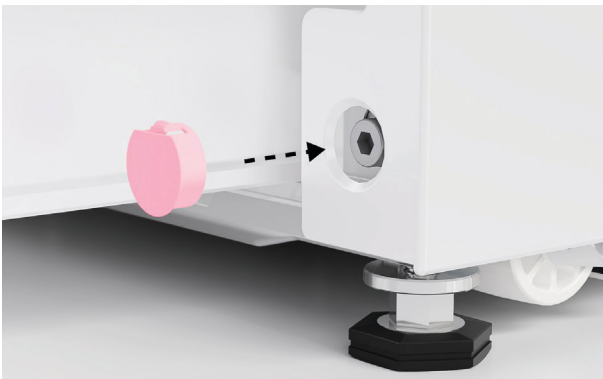
---



18. Turn the adjustment screw counter-clockwise to retract the wheels. **Ensure the wheels are fully raised off the floor.**



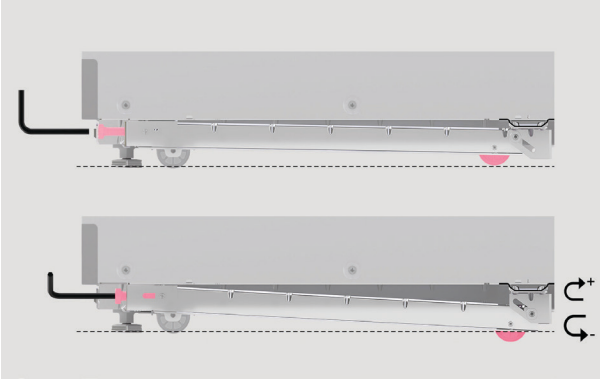
19. Check alignment and ensure required clearances are maintained. Adjust as required.



20. Once adjustment is complete, fit the plinth bolt hole covers.

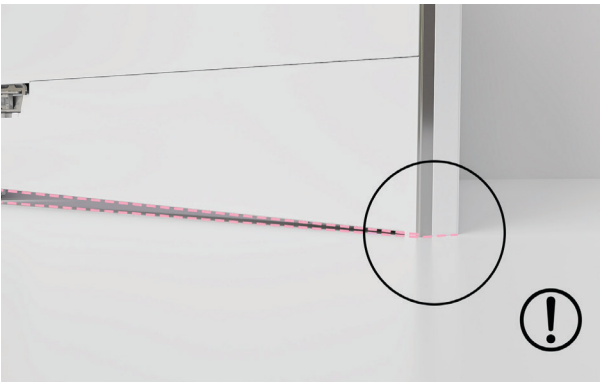


## INSTALL FABRIC CARE CABINET

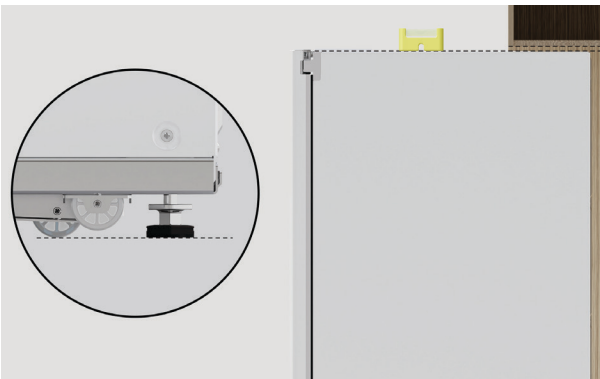


1. Open the cabinet door and lower the rear wheel using the supplied Allen key.

Rotate clockwise to lower the wheel and counter-clockwise to raise.



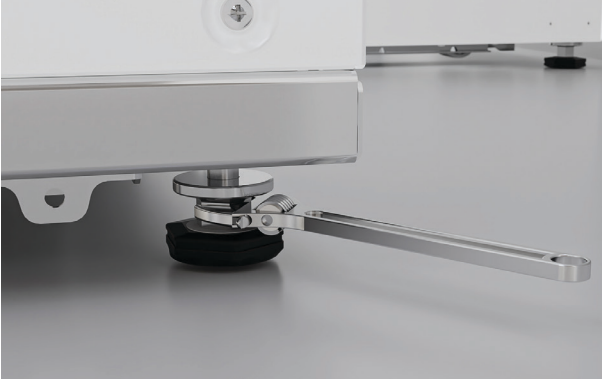
2. When adjusting the wheel, ensure front of the door doesn't damage the floor.



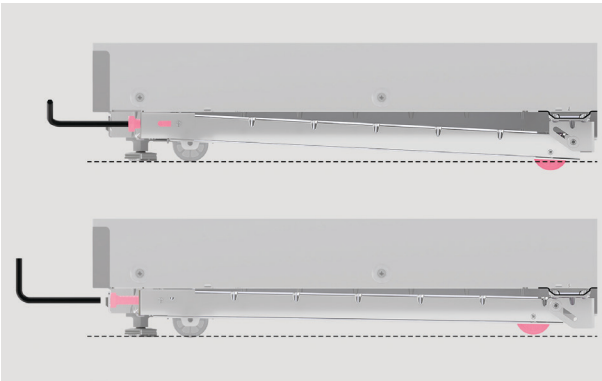
3. Prior to installing in alcove, adjust rear feet to the desired height

Ensure all clearances are maintained.

## INSTALL FABRIC CARE CABINET

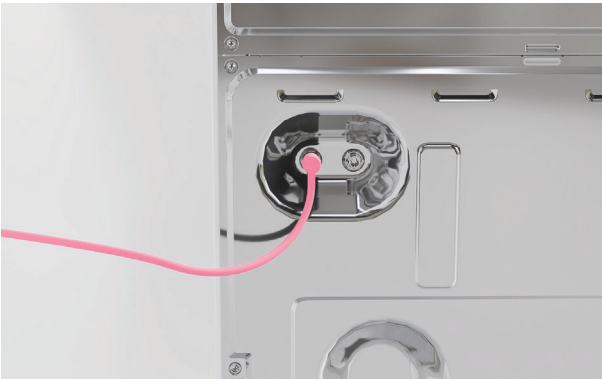


4. Tighten the locking nuts up to the base of the cabinet to lock feet in position.



5. Lower the rear wheel to achieve clearance between rear feet and floor.

When adjusting the wheel, ensure front of the door doesn't damage the floor.



6. Connect communication and power cables.

## INSTALL FABRIC CARE CABINET



7. Push cabinet into cavity taking care not to damage cords.

Rotate the rear wheel adjustment screw anti-clockwise to place the full cabinet weight onto feet.

Ensure rear corners are level and set to the desired height.



8. With cabinet in the final position, unscrew front levelling feet using the provided spanner. Re-check clearances and alignment before tightening the locking nuts up to the base of the cabinet to lock the feet into position.

## INSTALL FABRIC CARE CABINET

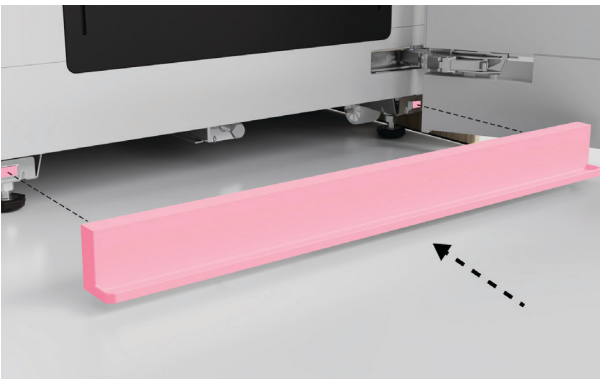


9. Ensure cabinet is resting on all four feet and all wheels have been raised.



10. Check final alignment and ensure required clearances are maintained.

Adjust as required.



11. Clip drip tray into position.

# INSTALLER CHECKLIST

---

**Complete and keep for safe reference:**

Model \_\_\_\_\_

Serial no. \_\_\_\_\_

Purchase date \_\_\_\_\_

Purchaser \_\_\_\_\_

Dealer address \_\_\_\_\_

Installer's name \_\_\_\_\_

Installer's signature \_\_\_\_\_

Installation company \_\_\_\_\_

Installation date \_\_\_\_\_

**FISHERPAYKEL.COM**

© Fisher & Paykel Appliances 2023. All rights reserved.

The models shown in this guide may not be available in all markets  
and are subject to change at any time.

The product specifications in this guide apply to the specific products and  
models described at the date of issue. Under our policy of continuous product  
improvement, these specifications may change at any time.

For current details about model and specification availability in your country,  
please go to our website or contact your local Fisher & Paykel dealer.

**431190A 07.23**