

FISHER & PAYKEL

SINGLE DISHDRAWER™ DISHWASHER WITH ASSISTED OPENING ACCESSORY

INTEGRATED

DD60STX6I1, DD60STX6HI1

ASSISTED OPENING ACCESSORY

OPEX1

INSTALLATION GUIDE

NZ AU

⚠ WARNING!**Electric Shock Hazard**

Failure to follow this advice may result in electrical shock or death.

- Fitting an integrated panel requires access to electrical service areas. This must be performed by a Fisher & Paykel trained and supported service technician or qualified person.
- Before fitting the front panel, the dishwasher must be disconnected from the power supply.
- After installing the front panel, the installer must ensure that the following components are electrically earthed: the panel bracket and any custom metal component (e.g. handle) that extends past the rubber seal.
- This appliance must be earthed. In the event of a malfunction or breakdown, earthing will reduce the risk of electric shock by providing a path of least resistance for electric current. This appliance is equipped with a cord having an equipment-earthing conductor and an earthing plug.
- Before installing the DishDrawer™ Dishwasher, remove the house fuse or open the circuit breaker.
- The plug must be plugged into an appropriate outlet that is installed and earthed in accordance with all local codes and ordinances.
- Do not modify the power supply plug provided with the appliance – if it will not fit the outlet, have a proper outlet installed by a qualified electrician. Do not use an extension cord, adapter plug or multiple outlet box.
- The dishwasher must be completely enclosed at the time of installation.

**⚠ WARNING!****Electric Shock Hazard**

Failure to follow this advice may result in electrical shock or death.



- WARNING - Improper connection of the equipment-earthing conductor can result in a risk of electric shock. Check with a qualified electrician or service representative if you are in doubt as to whether the appliance is properly earthed.

⚠ WARNING!**Cut Hazard**

Failure to use caution could result in injury.



- Take care - panel edges are sharp.

WARNING!

To reduce the risk of fire, injury to persons or damage when using the appliance, follow the important safety instructions listed below. Read all the guidance before using the appliance.

Servicing

- Do not repair or replace any part of the appliance unless specifically recommended in this guide. All other servicing should be undertaken by a Fisher & Paykel trained and supported service technician or qualified person.

Installation

- Installation of this DishDrawer™ Dishwasher requires basic mechanical and electrical skills.
- Installation must comply with your local building and electricity regulations.
- Remove all packaging materials supplied with the dishwasher.
- Be sure to leave these Instructions with the Customer.
- At the completion of the installation, the Installer must perform the Final Checklist.
- This dishwasher is manufactured for indoor use only.
- Ensure all water connections are turned OFF. It is the responsibility of the plumber and electrician to ensure that each installation complies with all Codes and Regulations.
- The DishDrawer™ Dishwasher MUST be installed to allow for future removal from the enclosure if service is required.
- The switched power outlet must be outside the dishwasher cavity, so that it is accessible after installation.
- Care should be taken when the appliance is installed or removed to reduce the likelihood of damage to the power supply cord and hoses.
- If the DishDrawer™ Dishwasher is relocated from one installation site to another it must be kept upright to avoid damage from water spillage.
- Ensure only supplied hoses are used for connection. Old hoses should not be reused.
- Failure to install correctly could invalidate any warranty or liability claims.
- If the product is installed in a motor vehicle, boat or similar mobile facility, you must bring the vehicle, boat or mobile facility containing the product to the service shop at your expense or pay the service technician's travel to the location of the product.

SAVE THESE INSTRUCTIONS

The models shown in this installation guide may not be available in all markets and are subject to change at any time. For current details about model and specification availability in your country, please go to our website www.fisherpaykel.com or contact your local Fisher & Paykel dealer.

TOOLS AND COMPONENTS

PARTS REQUIRED

- Keep all packing materials until the unit has been inspected.
- Inspect the product to ensure there is no shipping damage. If any damage is detected contact the dealer or retailer you bought the product from to report the damage.
- Fisher & Paykel is not responsible for shipping damage.

Supplied



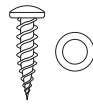
Side mounting bracket kits (2)*



Moisture protection tape (1)



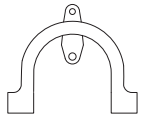
16mm Phillips screws (16)



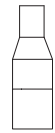
38mm bottom fixing screws and washers (1)



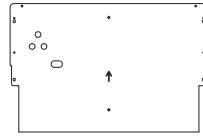
Inlet hose rubber washer (1)**



Drain hose support (1)



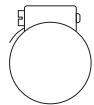
Drain hose connector (1)



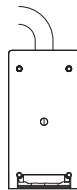
Panel bracket kits (1)**



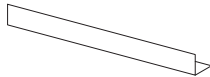
Wire clip (1)



Clamp (1)

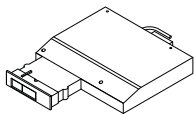


External venting kit (1)



Trim bracket

Purchased seperately

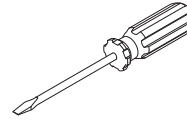


Assisted Opening Accessory

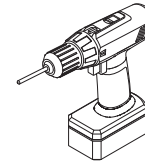
*Optional | **Comes fitted to the product

TOOLS REQUIRED

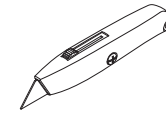
Not supplied



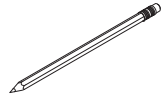
Flat-blade screwdriver



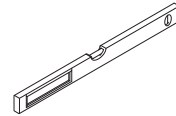
Powered driver



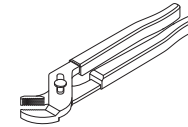
Box cutter



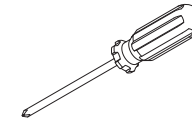
Pencil



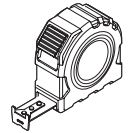
Level



Pliers

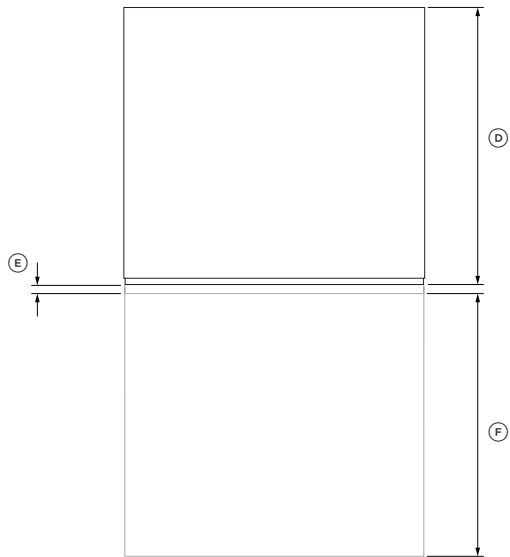


Phillips screwdriver

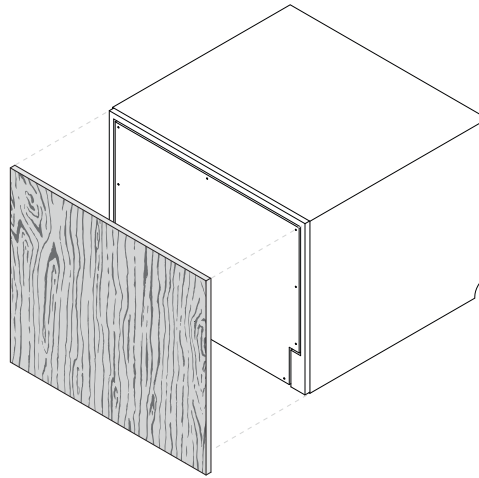


Tape measure

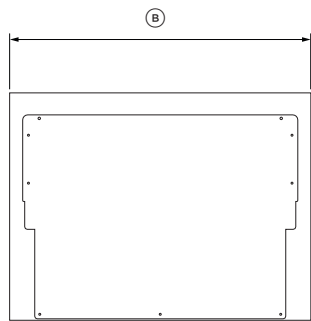
PRODUCT DIMENSIONS



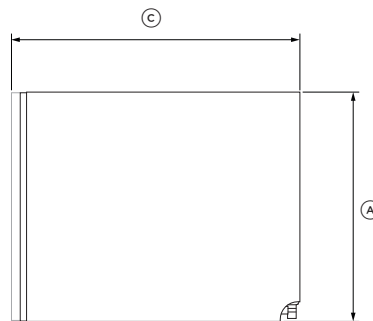
PLAN



ISOMETRIC



FRONT



PROFILE

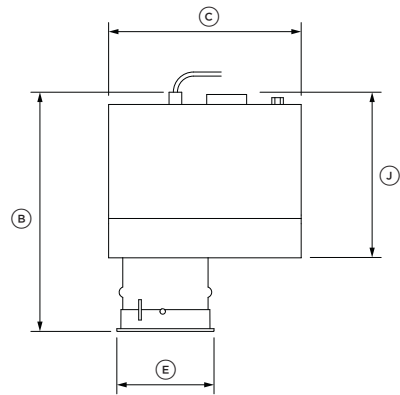
PRODUCT DIMENSIONS	MM
Ⓐ Overall height	454
Ⓑ Overall width	599
Ⓒ Overall depth*	572
Ⓓ Depth of chassis	553
Ⓔ Front panel depth**	16-20
Ⓕ Max. drawer extension***	527

*based on front panel thickness of 19mm

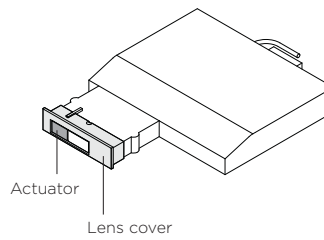
**refer to 'Custom panel dimensions' for more information

***excluding custom panel and handle

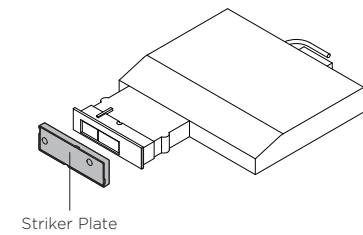
ASSISTED OPENING ACCESSORY DIMENSIONS



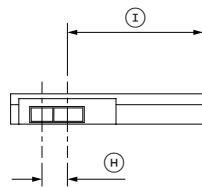
PLAN



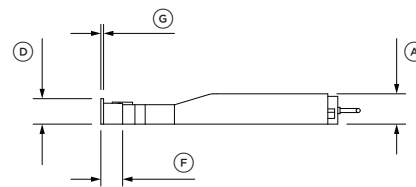
ISOMETRIC



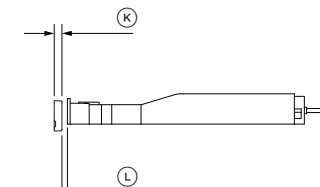
ISOMETRIC



FRONT



PROFILE



PROFILE

ASSISTED OPENING ACCESSORY DIMENSIONS

MM

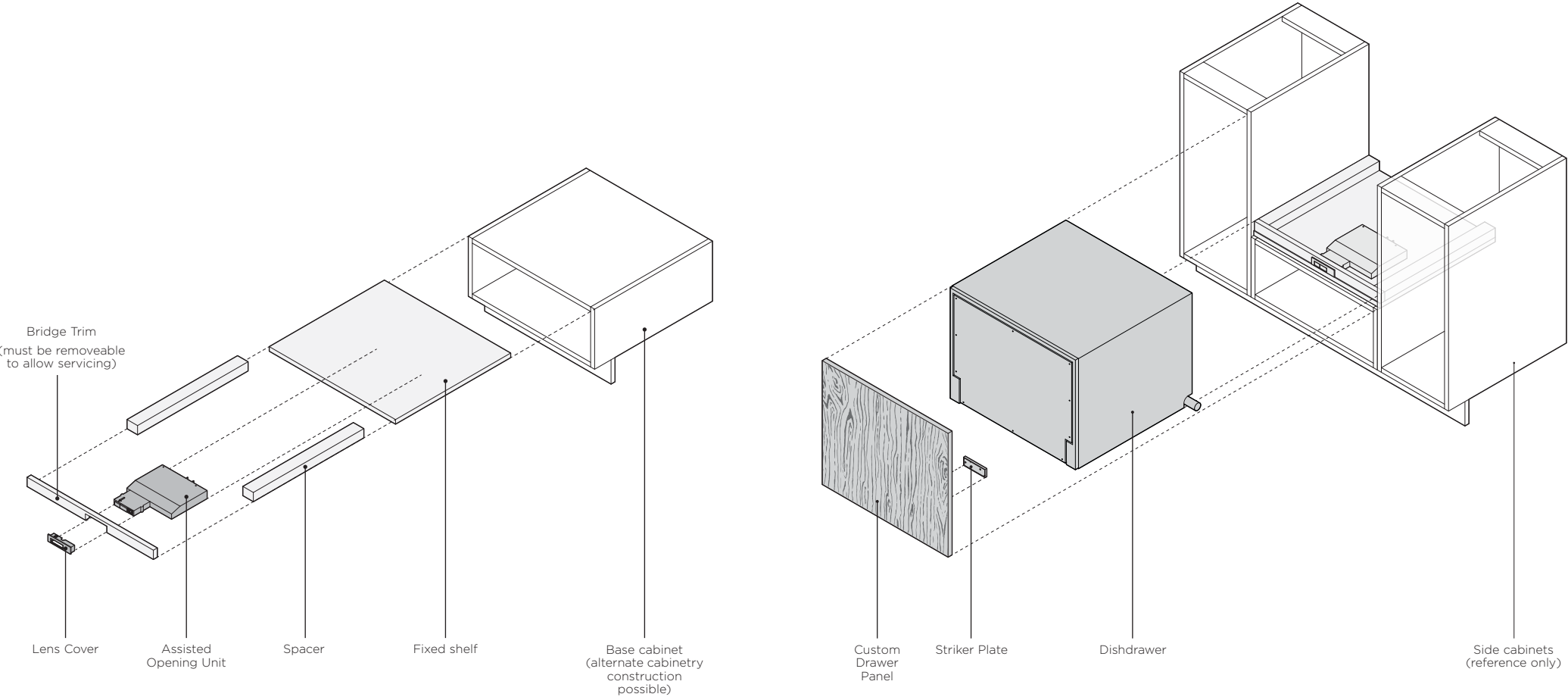
Ⓐ Overall height of Assisted Opening Accessory	34
Ⓑ Overall depth of Assisted Opening Accessory	264
Ⓒ Overall width of Assisted Opening Accessory	213
Ⓓ Height of lens cover	28
Ⓔ Width of lens cover	107
Ⓕ Depth of lens cover	24

* Recommended for centre of actuator to be centred in appliance cavity

MM

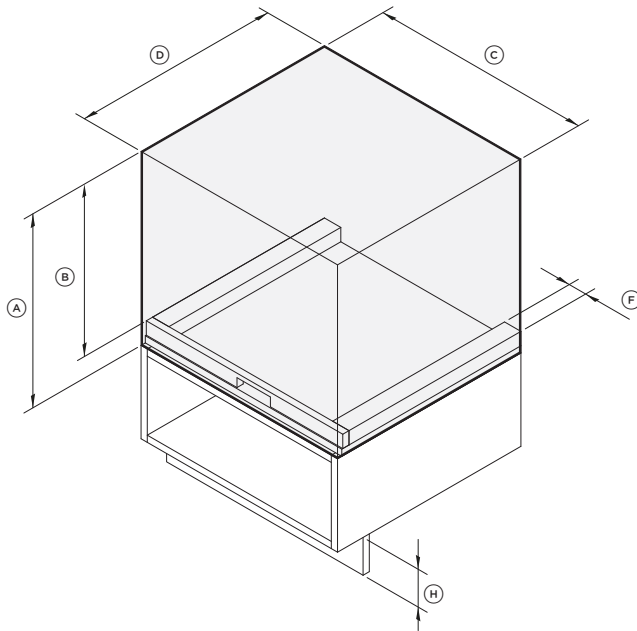
Ⓖ Depth of lens cover flange	3
Ⓗ Distance between centre of lens cover and centre of actuator*	28
Ⓘ Distance between center of lens cover and outside of main body	150
Ⓝ Depth of main body	182
Ⓚ Depth of Striker Plate	9
Ⓛ Distance between lens cover and Striker Plate	6

PRODUCT AND CABINETS OVERVIEW



EXPLODED ISO VIEW

CABINETY DIMENSIONS - STANDARD INSTALL



ISOMETRIC VIEW

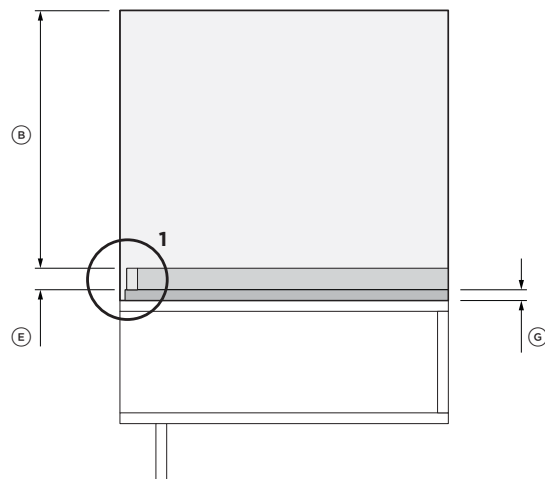
CABINETY DIMENSIONS	MM
Ⓐ Minimum overall cavity*	513
Ⓑ Minimum cavity height from top of spacers	456
Ⓒ Inside cavity width	600
Ⓓ Minimum inside cavity depth**	560
Ⓔ Minimum height of spacers	38
Ⓕ Minimum width of spacers	60
Ⓖ Nominal height of fixed shelf	19
Ⓗ Minimum toe kick height***	100
Ⓘ CRITICAL Fixed shelf set back from front of cabinetry carcass	11
Ⓣ Spacer set back from front of cabinetry carcass****	33
Ⓚ CRITICAL Bridge trim set back from front of fixed shelf	3

* Based on fixed shelf thickness of 19mm

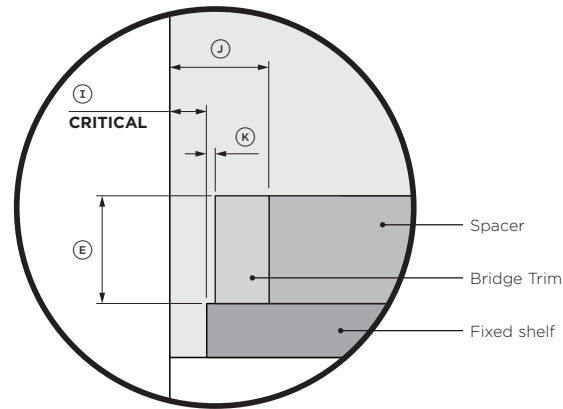
** Excludes door panels

*** When venting through the same or adjacent cabinet. Refer to 'External venting preparation' for more information.

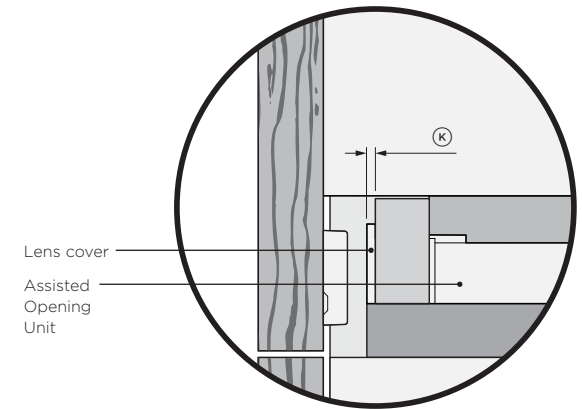
**** Based on bridge trim panel thickness of 19mm



SIDE ELEVATION



DETAIL 1
SIDE ELEVATION



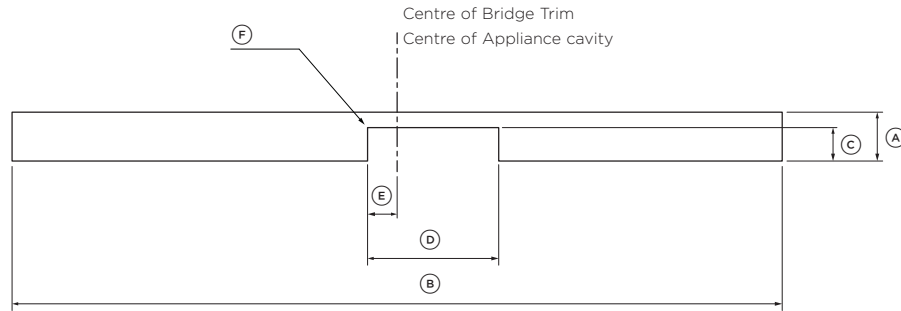
DETAIL 1A
SIDE ELEVATION
(shown with Dishdrawer, Assisted Opening unit and cabinetry panels)

CABINERY DIMENSIONS

BRIDGE TRIM

IMPORTANT:

- Cutout not central to panel and cabinetry.
- Bridge trim must be removable to allow servicing of AOA unit.



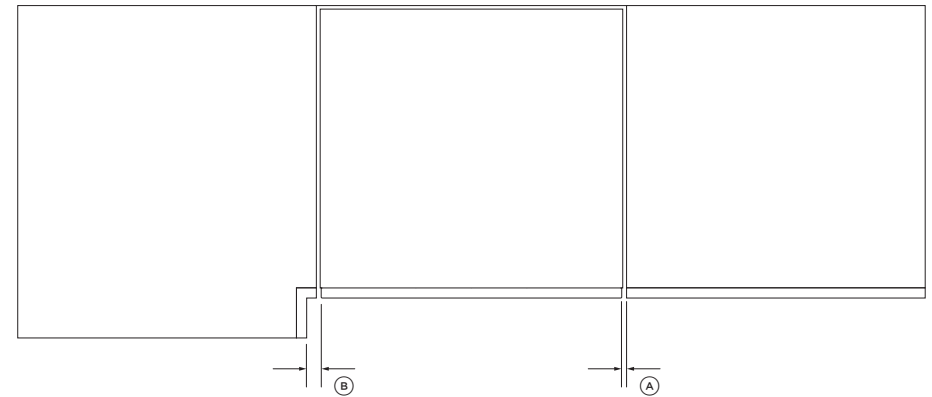
FRONT ELEVATION

BRIDGE TRIM DIMENSIONS	MM
Ⓐ Minimum height of bridge trim **	37
Ⓑ Width of bridge trim #	598
Ⓒ Height of cutout	26
Ⓓ Width of cutout	102
Ⓔ Offset from centre of trim to centre of cutout	23
Ⓕ Corner radii of cutouts	max 5

* Based on minimum spacer height of 38mm.

Allows for 1mm clearance to cabinetry. Panel must be removable for servicing

CLEARANCES



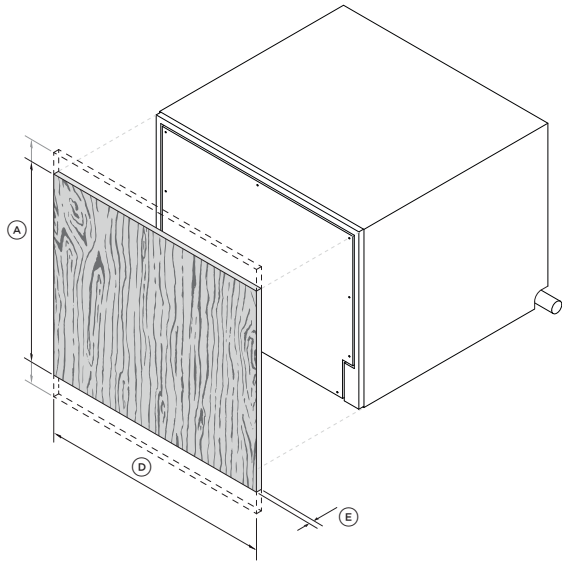
PLAN

CABINERY CLEARANCES	MM
Ⓐ Minimum clearance to adjacent cupboard door	2
Ⓑ Minimum clearance to corner cupboard*	13

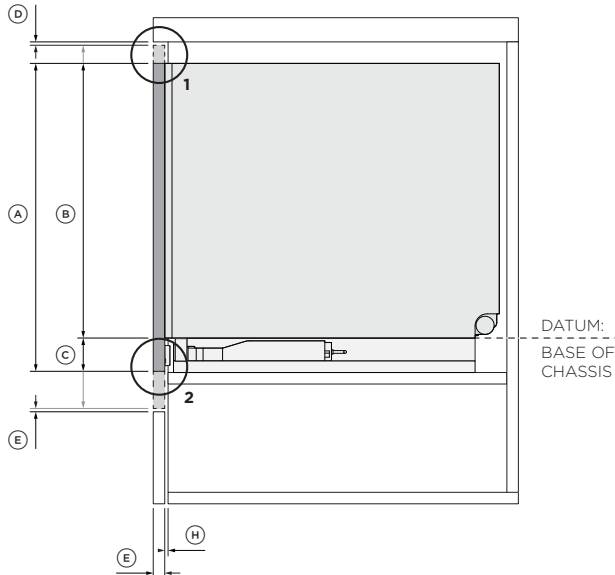
*Access to both sides of the product will be required during installation. If access is not possible, the tubs may need to be removed for door installation and adjustments. Refer to page 19 for guidance on drawer removal.

CUSTOM PANEL DIMENSIONS

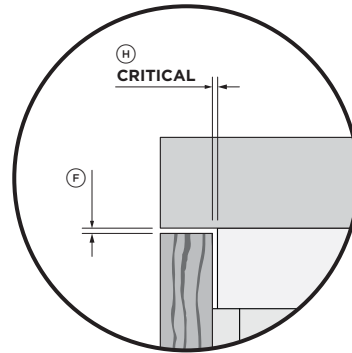
Standard installation illustrated



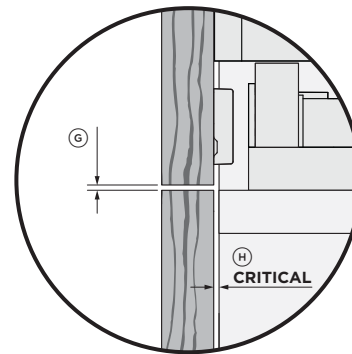
ISOMETRIC



PROFILE



DETAIL 1



DETAIL 2

CRITICAL GAP FOR ASSISTED OPENING TO FUNCTION

Material specifications

- Maximum weight of panel must not exceed 9kg (including handle)
- The panel should be adequately sealed to withstand moisture (50°C @ 80% RH). The back and sides of the panel should be completely sealed with a waterproof vapour barrier, such as polyurethane, to prevent damage.
- The back of the panel should be completely flush so that the seal between the panel and the rubber trim is maintained.
- Installation outside these specifications may result in condensation on cabinetry surfaces.

STANDARD INSTALL	
CABINERY DIMENSIONS	
	MM
Ⓐ Minimum panel height* from top of chassis	509
Ⓑ Minimum height from base of chassis to top of panel	454
Ⓒ Minimum height from base of chassis to bottom of panel	55
Ⓓ Minimum panel width	596
Ⓔ Panel depth	16-20
Ⓕ Minimum clearance between top of door panel and countertop	2
Ⓖ Minimum clearance between base of door panel and cabinetry	2
Ⓗ Depth clearance between the inside face of the drawer panel and the surrounding cabinetry***	2
Maximum weight of drawer panel (including handle)	9 kg

*Core panel dimension. Panel can be extended to suit installation. Top of panel must finish flush with, or above top of chassis.

**for more information on panel placement refer to fisherpaykel.com

*** Clearance must be maintained around perimeter of drawer panel.

The Assisted Opening Accessory can only travel 60mm. Door thickness and cabinetry overhang can affect usability.

PLUMBING & ELECTRICAL CONSIDERATIONS

Hose and cord lengths

- Your services can be installed to either the left-hand or right-hand side of the product in an adjacent cabinet. Refer to 'Cabinetry preparation' for service access requirements.
- If the drain hoses supplied are not long enough to reach your services, you may purchase a Fisher & Paykel drain hose extension kit which will extend the drain hoses by 3.6m (part number 525798).

Water connection

- Recommended water temperature: Cold (maximum 60°C)
- 3/4" BSP (GB20) to suit flat washer
- Ensure water connection complies with local plumbing regulations.

Water pressure

- Water softener models: max. 1 MPa (145 psi), min. 0.1 MPa (14.5 psi)
- Non-water softener models: max. 1 MPa (145 psi), min. 0.03 MPa (4.3 psi)

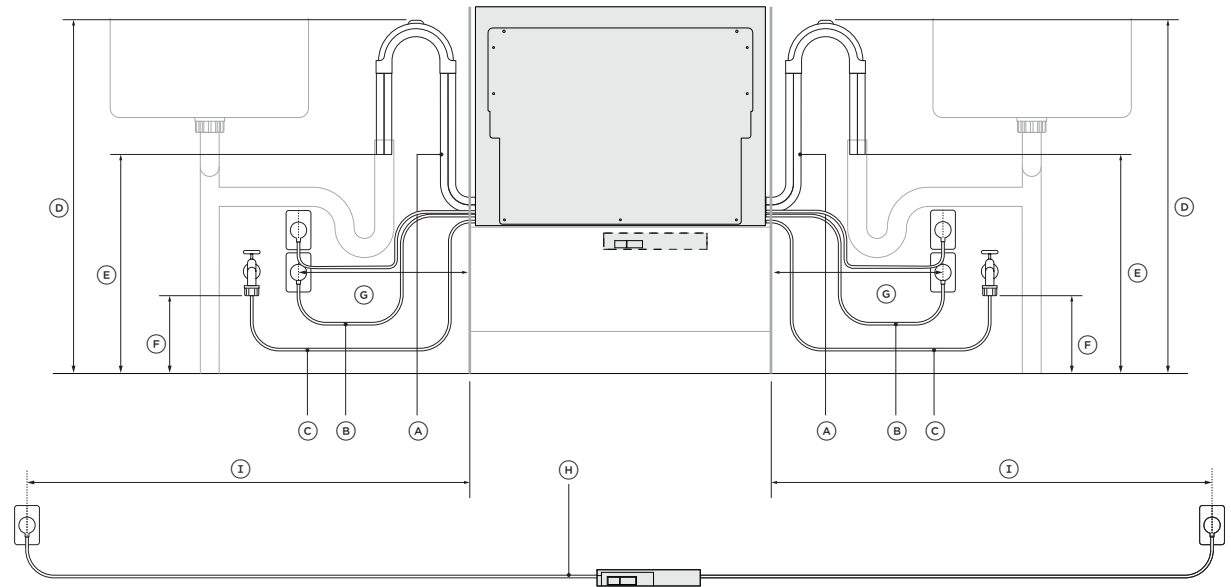
Electrical requirements

DishDrawer™

- 220–240V min 4.2A
- 2 total outlets

Assisted Opening

- 220V, 50Hz, 10A
- 3-pin earthing-type



DISHDRAWER SERVICE DIMENSIONS

	LEFT SIDE*	RIGHT SIDE*
	MM	MM
(A) Length of drain hoses	2000	1700
(B) Length of power cord**	1650	1550
(C) Length of inlet hose	1650	1250
(D) Minimum distance from floor to top of hose support	750	750
(E) Minimum distance from floor to end of drain hoses***	500	500
(F) Minimum distance from floor to inlet hose connection	200	200
(G) Maximum distance from cabinetry to the centre of electrical outlet	450	450

*dimensions taken from the chassis edge where applicable

**excluding plug

***standpipe install illustrated. Distance is the same for all plumbing installs.

ASSISTED OPENING SERVICE DIMENSIONS

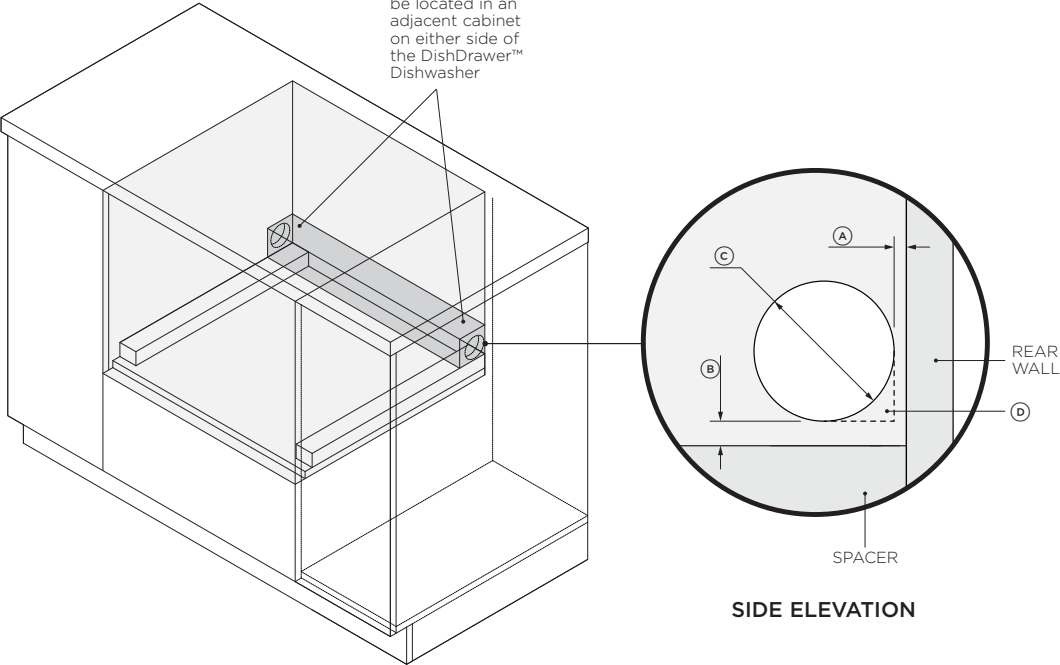
	LEFT SIDE*	RIGHT SIDE*
	MM	MM
(H) Overall length of power cord	3000	3000
(I) Maximum distance from cabinetry to the centre of electrical outlet	1750	1750

CABINETY PREPARATION

SERVICE ACCESS

- Service holes can be created on either side of the DishDrawer™ Dishwasher cavity as shown below.
- If the hole is created through wood, ensure the edges are smooth and rounded.
- If the hole is created through metal, ensure the supplied edge protector is fitted.

Connections can be located in an adjacent cabinet on either side of the DishDrawer™ Dishwasher



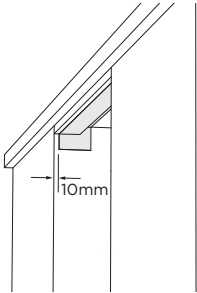
SERVICE HOLE DIMENSIONS

MM

Ⓐ	Maximum distance between rear of cavity and service hole	5
Ⓑ	Maximum distance between spacers and service hole	10
Ⓒ	Minimum diameter of service hole	57
Ⓓ	If venting through the adjacent cabinetry, the rear edge of the service hole should be enlarged by cutting out the bottom corner	

MOISTURE PROTECTION

1



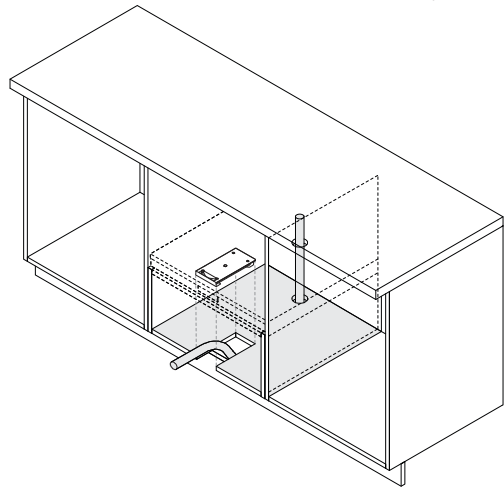
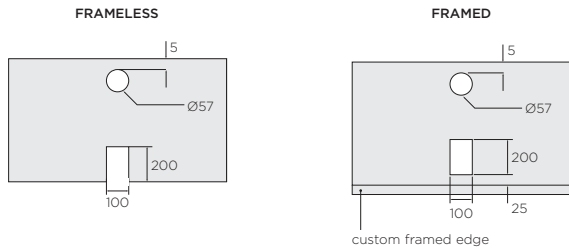
Align the supplied moisture protection tape to the cabinetry as illustrated

Ensure this area is free of debris before carefully applying the tape to the surface.

EXTERNAL VENTING PREPARATION

To prevent the build up of condensation produced by your DishDrawer™ Dishwasher, the external venting kit must be installed via one of the following options:

THROUGH SAME CABINET

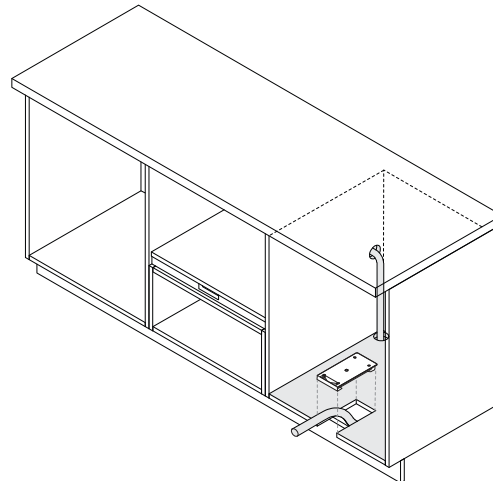
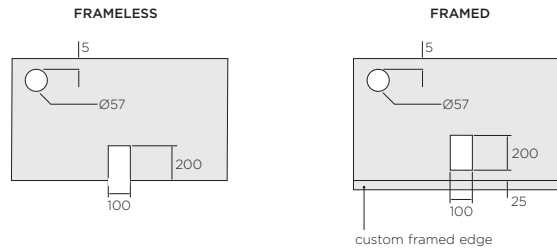


ISO*

- A toe kick height of at least 100mm is required.
- A Ø57mm service hole should be created through the side wall following the guidance under 'Cabinetry preparation'. In addition to this, a second Ø57mm service hole must be also be created through the shelf and the base of the cavity to route the venting hose through.
- **Frameless cabinetry:** A 100mm x 200mm cutout must be created at the front of the cabinetry base to secure the duct to.
- **Framed cabinetry:** A toe kick depth of at least 60mm is required. In addition, a 100mm x 200mm cutout must be created within the adjacent cabinetry base to secure the duct to. This cutout should be set back a minimum of 25mm from the frame edge for optimal venting.

*Frameless install illustrated

THROUGH ADJACENT CABINET

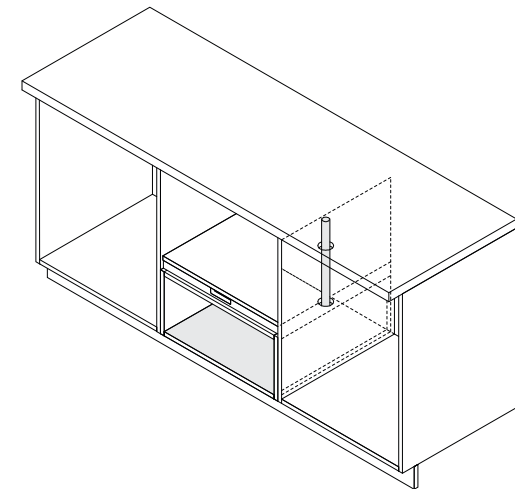
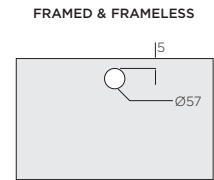


ISO*

- A toe kick height of at least 100mm is required.
- A notched-out Ø57mm service hole should be created through the side wall following the guidance under 'Cabinetry preparation'.
- **Frameless cabinetry:** A 100mm x 200mm cutout must be created in the base of the adjacent cabinetry to secure the duct to.
- **Framed cabinetry:** A toe kick depth of at least 60mm is required. In addition, a 100mm x 200mm cutout must be created within the adjacent cabinetry base to secure the duct to. This cutout should be set back a minimum of 25mm from the frame edge for optimal venting.

*Frameless install illustrated

THROUGH FLOOR

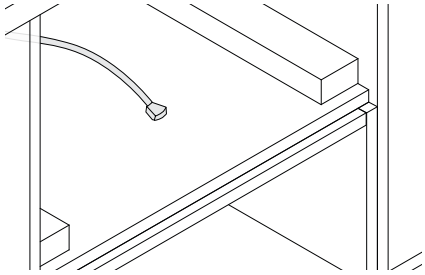


ISO

- There is no minimum toe kick height for venting the DishDrawer™ Dishwasher through the floor below the cabinetry, the space below the floor however, must be a sub-area of the house and have adequate airflow.
- A Ø57mm service hole should be created through the side wall following the guidance under 'Cabinetry preparation'. In addition to this, a Ø57mm service hole must be also be created through the shelf, the base of the cavity and the floor to route the venting hose through.
- The duct is not required for this venting method.
- Ensure all cutout edges are smooth and rounded and the supplied edge protector is fitted if required.
- Ensure cutout in the floor is sealed adequately.

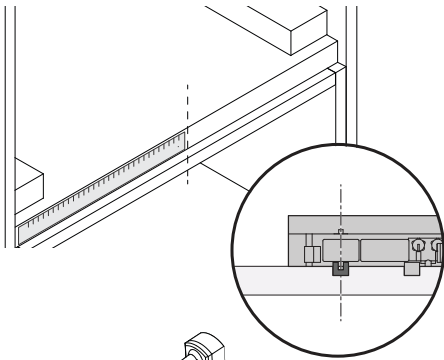
INSTALL ASSISTED OPENING ACCESSORY

1



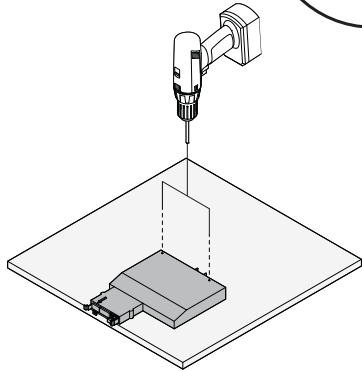
Route the accessory power cord from the rear of the cabinetry.

2



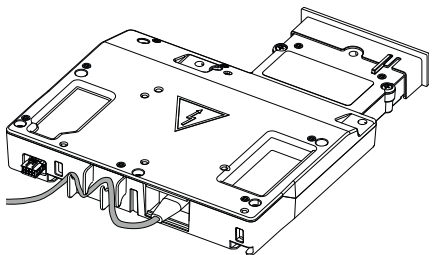
Measure and mark the centre of the cabinetry. Align the accessory and use to mark the position of the rear shoulder bolts.

3



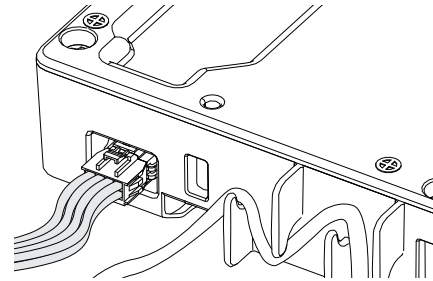
Using the accessory as a guide, pre-drill 2 x rear pilot holes. Remove accessory before securing 2 x shoulder bolts through pilot holes.

4



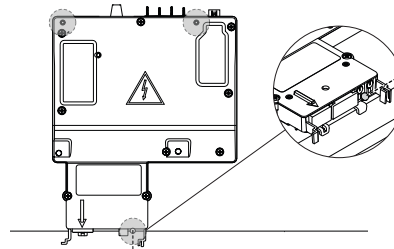
Connect power cord to accessory before routing the power cord through strain relief bracket.

5



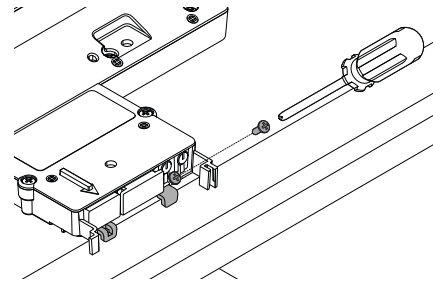
Connect the comms cable to the accessory.

6



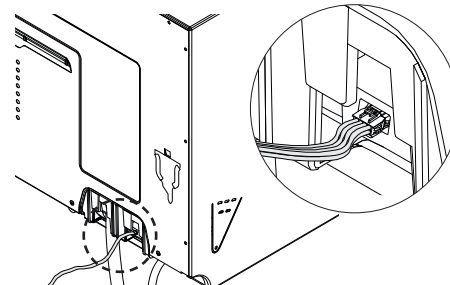
Slot the accessory onto the shoulder bolts and remove any excess slack in the power cord. Pre-drill pilot hole at a 45° angle using the accessory as a guide.

7



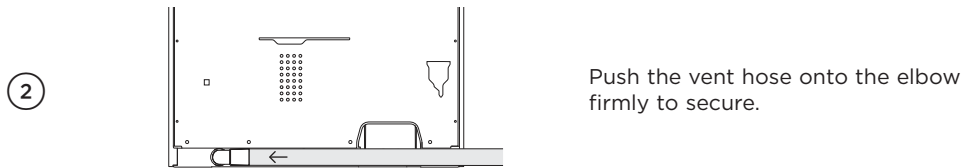
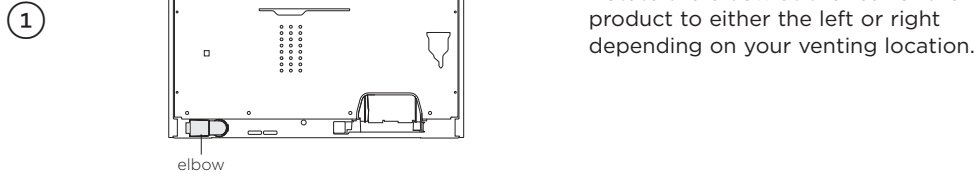
Remove the lower locating tabs and fit the front screw through the pilot hole using a Phillips screwdriver.

8



Connect the comms cable to the DishDrawer. Ensure the black plug connects to the unit.

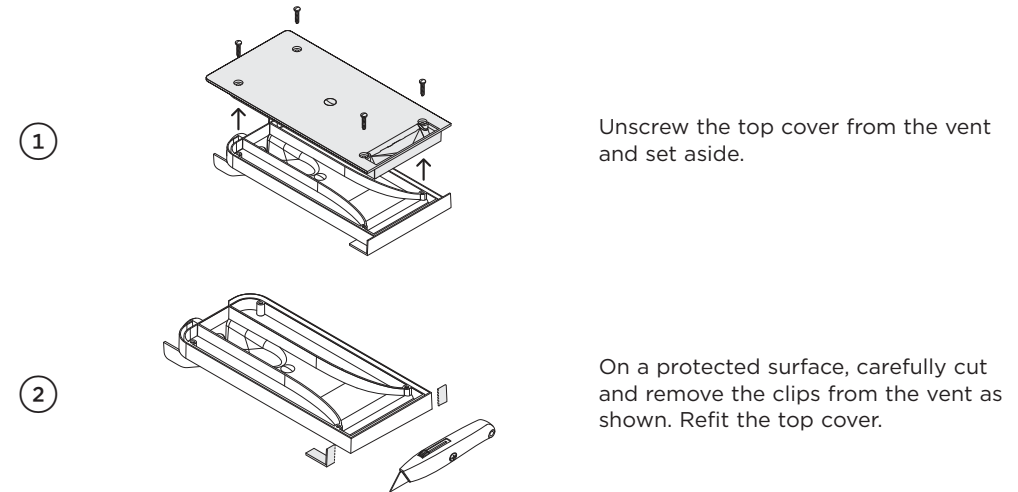
FIT THE VENTING HOSE TO THE DISHDRAWER™ DISHWASHER



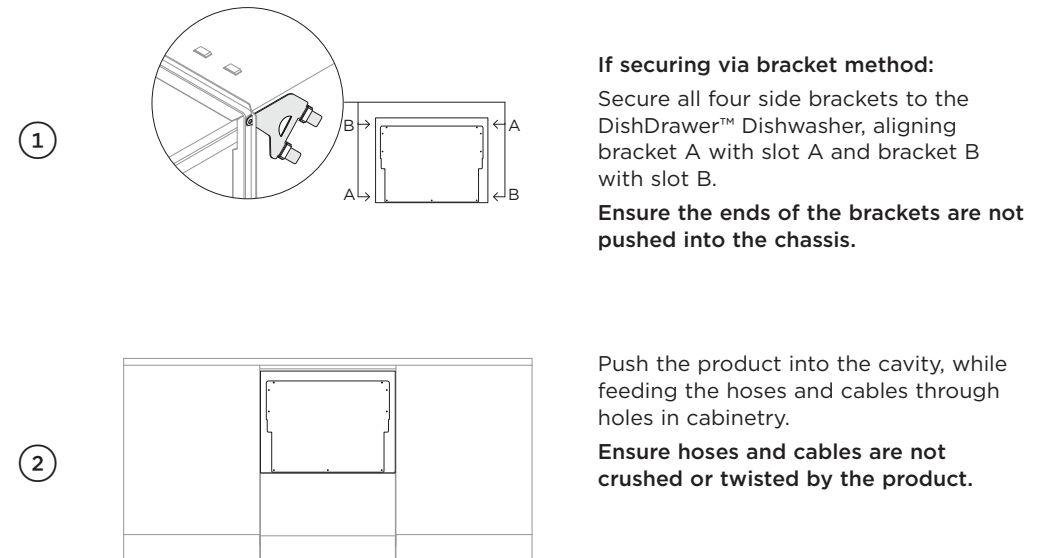
PREPARE EXTERNAL VENTING

TRIM THE DUCT

Framed cabinetry only

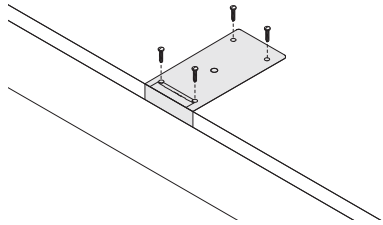


PUSH THE PRODUCT INTO THE CAVITY



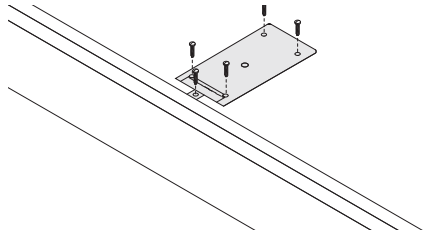
SECURE THE VENTING HOSE TO CABINTRY

VENTING THROUGH CABINTRY



Unframed cabinetry

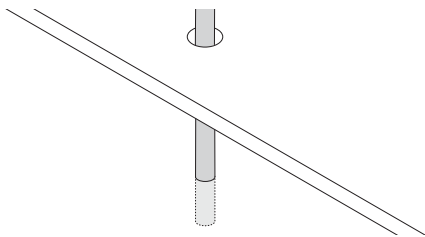
Route the venting hose to the cutout and push onto the duct firmly to secure. Push the duct onto the cabinetry and secure using the four provided screws.



Framed cabinetry

Route the venting hose to the cutout and push onto the duct firmly to secure. Place duct into cutout and insert the bracket into vent slot. Secure using the five provided screws.

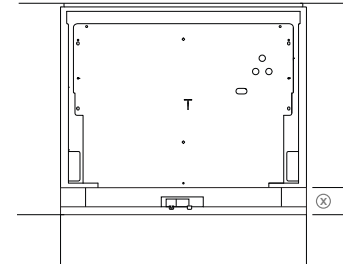
VENTING THROUGH FLOOR



Route the venting hose through the floor. Ensure any excess hose is removed.

1

FIT THE CUSTOM PANEL

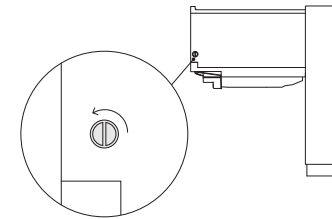


Measure the distance between the base of the dishdrawer chassis and the base of the cavity.

Note 1: If panel is intended to extend below base of the cavity, adjust dim X as required

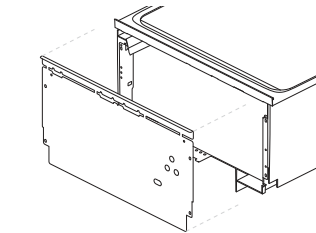
Note 2: A 2mm clearance is required between base of door panel and cabinetry below (Refer page 11)

2



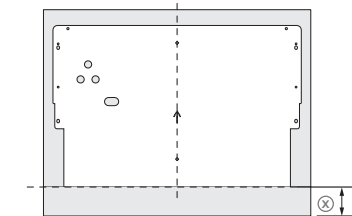
Remove both side pins by twisting a quarter-turn towards the product front. Pull outwards to remove pin.

3



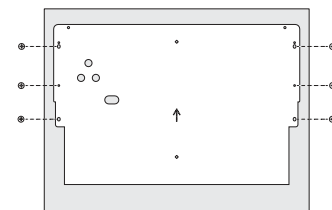
Carefully pull both brackets from DishDrawer down and out before unplugging the Knock-to-Pause modules from the back of the brackets.

4



On the back of the panel, offset the base of the bracket by dimension X and align to the centre.

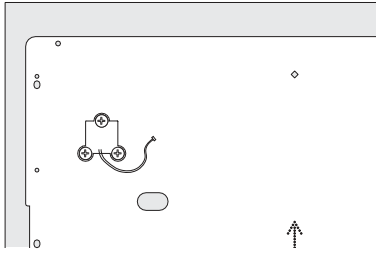
5



Secure the bracket to the panel using a minimum of 3 screws on either side.

FIT THE CUSTOM PANEL

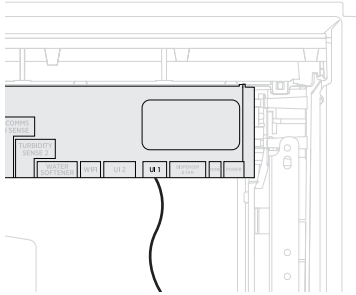
6



Attach the Knock-to-Pause module to the panel as shown.

Ensure the Knock-to-Pause module is oriented correctly and is not in contact with the bracket before securing.

7

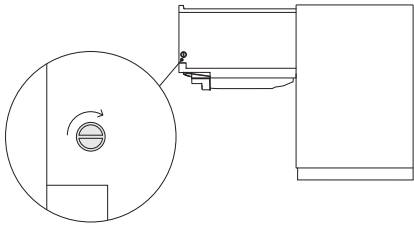


Electric shock hazard:

To earth the panel bracket, connect the earth wire from the product to one of the tabs. Any custom metal components (e.g. handle) that extend past the rubber seal must be earthed also.

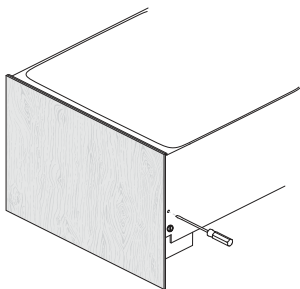
Reconnect the Knock-to-Pause module to the UI 1 slot on the wash controller as shown. Reconnect the earth wire to the panel bracket before fitting the panel to the product.

8



Re-insert both side pins to each drawer by pushing in and twisting a quarter-turn towards the rear of the product to secure panels into place.

9



Insert a Phillips screwdriver into the hole above the side pin and rotate to adjust the panel alignment. There is a maximum vertical travel distance of $\pm 2\text{mm}$.

Repeat on the other side if required.

Ensure the minimum vertical clearance gap of 2mm is maintained.

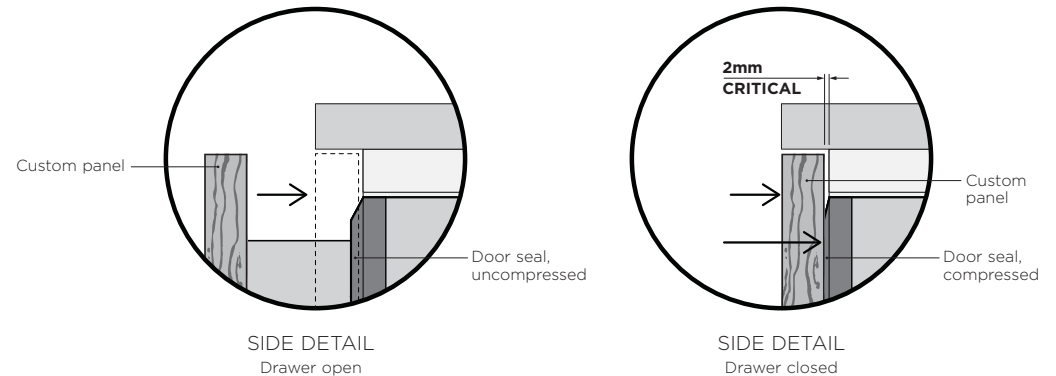
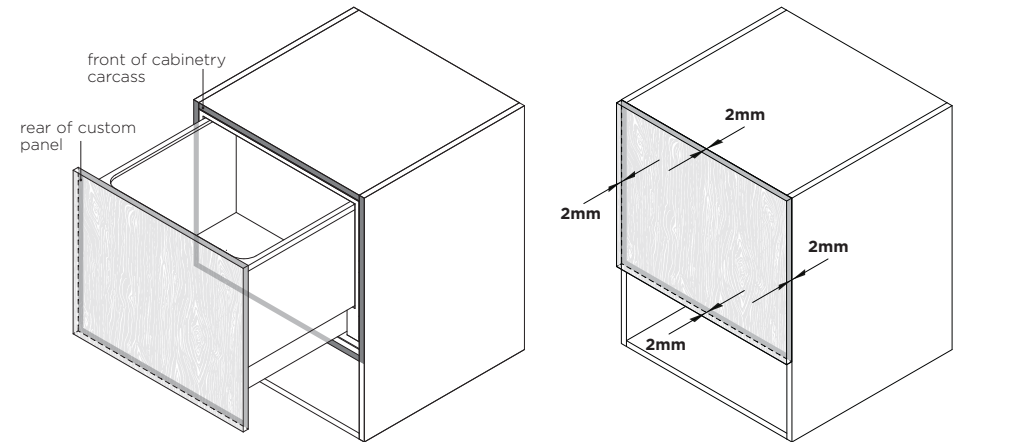
CHECK DEPTH

IMPORTANT CLEARANCE

Ensure there is a minimum 2mm clearance gap between the rear of custom drawer panel and front of cabinetry carcass. The gap must be maintained around the whole perimeter of the custom panel.

Clearances are required to ensure the door fully compresses against the seal on the DishDrawer™ chassis.

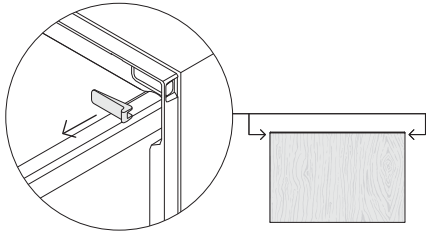
If the clearance is not included in the design, the door may not seal and result in humidity escaping from the product and cabinetry damage.



SECURE TO CABINETRY

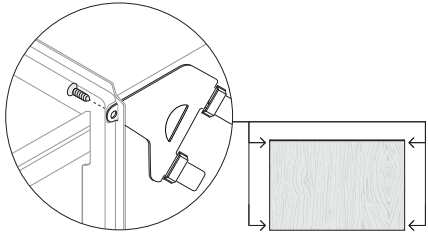
VIA BRACKETS (METHOD A)

1



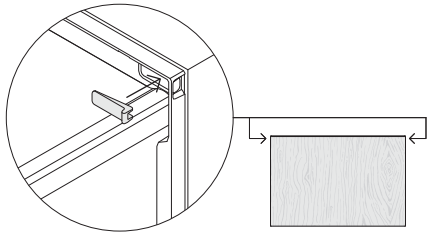
Partially open the drawer and remove the first screw cover from the trim moulding.

2



Secure to cabinetry via the brackets. Pre-drilling a pilot hole may be required depending on the cabinetry material.

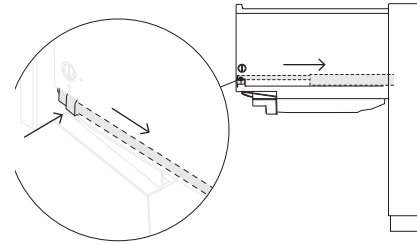
3



Replace the trim cover and repeat for the remaining brackets.

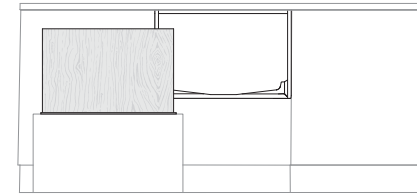
VIA DRAWER REMOVAL (METHOD B)

1



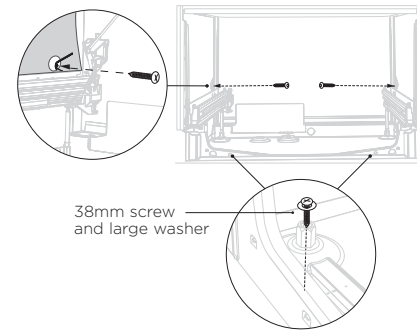
Open the drawer and press both locking tabs back to release.

2



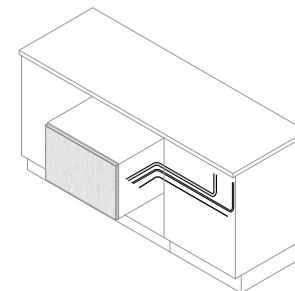
Lift the drawer off the runners and carefully set aside on a protected surface. Push runners back in. Take care not to pull drawer out too far to prevent any strain on the hoses. Where possible, protect the base of the tub to prevent damage.

3



Secure to cabinetry via all three fixing locations in the chassis. **Ensure sound insulation is replaced correctly.**

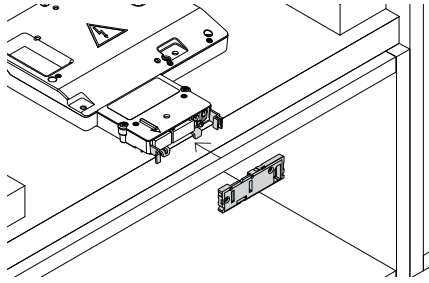
4



Before refitting the drawer, ensure the hoses are not twisted. Refit the drawer to the runners and clip into place via both locking tabs.

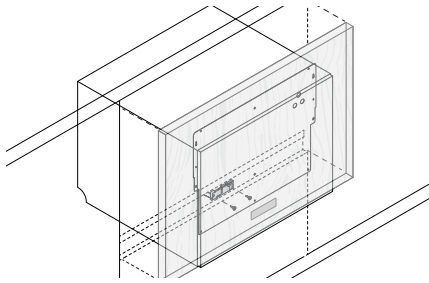
INSTALL STRIKER PLATE

1



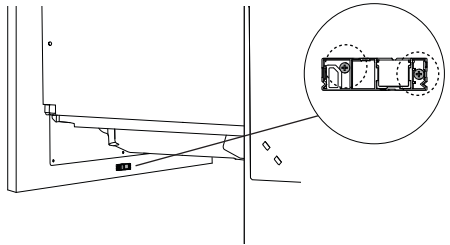
Remove the adhesive from the striker plate and clip onto the accessory. Ensure the V notch on striker plate aligns with arrow on the accessory.

2



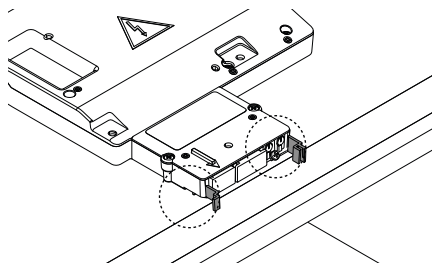
Close the door and apply pressure to secure.

3



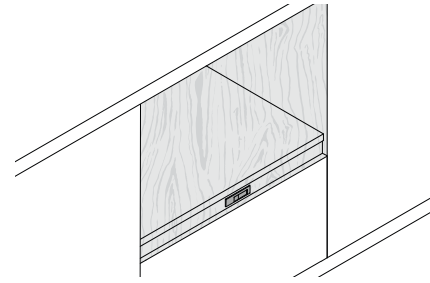
Open the door and fit 2x screws to the striker plate. Clip striker plate cover into place

4



Remove the remaining locating tabs.

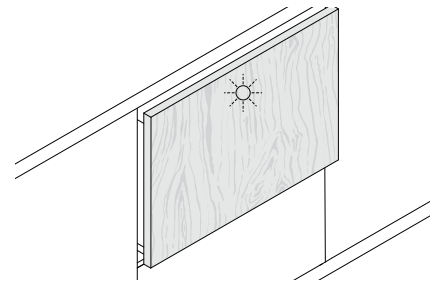
5



Fit accessory cabinetry housing and slot cover in place.

TEST DRAWER

6



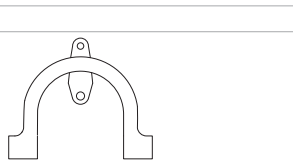
Plug in Assisted Opening Accessory, turn on power.

Knock on the door twice to open drawer slightly. The door will remain ajar for fourseconds. We recommend knocking in the area shown for optimal use.

Pull door to open fully. If left ajar, the door will automatically close again after four seconds.

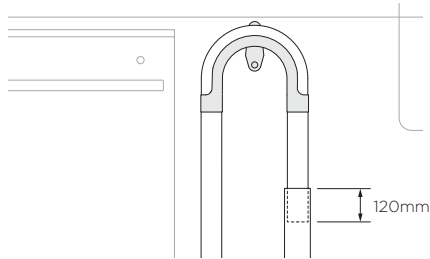
Ø38MM STANDPIPE INSTALLATION

1



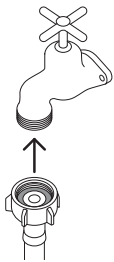
Install the drain hose support to the back wall, as close to the underside of the benchtop as possible. Refer to 'Plumbing & electrical considerations' for minimum install heights.

2



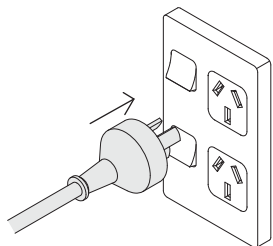
Pull the hose through the support guide and rest in standpipe. Ensure the hose does not extend any further than 120mm into the standpipe to prevent waste water from siphoning back into the tub.

3



Ensure the supplied rubber washer is fitted to the coupling before connecting the inlet hose to tap. Hand-tighten into place. Using a spanner or pliers, turn a further 180° to secure. Avoiding over-tightening. **Do not turn water supply on. The DishDrawer™ Dishwasher must be powered on for the flood protection feature to be enabled.**

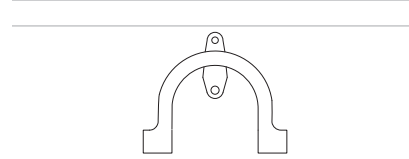
4



Plug product in.

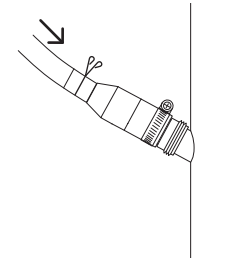
SINK TRAP/WASTE TEE INSTALLATION

1



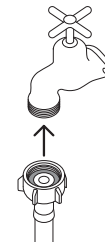
Install the drain hose support to the back wall, as close to the underside of the benchtop as possible. Refer to 'Plumbing & electrical considerations' for minimum install heights.

2



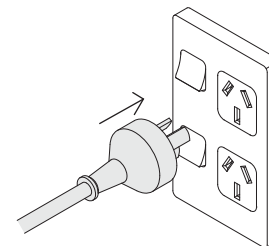
Thread wire clip on to the hose before pulling the hose through the support guide and fitting to the supplied hose joiner. Secure using the wire clip. Ensure hose is routed straight to the joiner, removing excess drain hose if necessary. Do not shorten the inlet hose. Unplug or drill out the waste tee before securing joiner to sink trap or waste tee.

3



Ensure the supplied rubber washer is fitted to the coupling before connecting the inlet hose to tap. Hand-tighten into place. Using a spanner or pliers, turn a further 180° to secure. Avoiding over-tightening. **Do not turn water supply on. The DishDrawer™ Dishwasher must be powered on for the flood protection feature to be enabled.**

4



Plug product in.

INSTALLER CHECKLIST

TO BE COMPLETED BY THE INSTALLER

Installation

- Check all parts are installed correctly and are secure.
- Ensure DishDrawer™ Dishwasher is secure and drawer opens and closes freely with no resistance.
- Ensure panel is fitted correctly to the DishDrawer™ Dishwasher
- Ensure any packaging or tape securing the racks and spray arm is removed.
- Check the spray arm is in place, mounted correctly and rotate freely.
- Ensure knock-to-pause module is fitted securely and operating correctly.

Plumbing

- Ensure any knock-outs or plugs in drain connection have been drilled out and drain connection has been made.
- The drain hose joiner must not support the weight of excess hose material. Keep drain hose as fully extended as possible to prevent sagging. Any excess length of drain hose should be kept on the dishwasher side of the highloop.
- Ensure inlet hose has supplied rubber washer fitted, and that it's tightened.
- If connecting the drain hose to the sink trap, ensure the highloop is a minimum 150mm higher than the drain hose joiner.
- Water softener models: adjust the water softener setting from the default setting to suit the water hardness of the area. Refer to your user guide.
- Ensure water supply is turned off until power is connected and turned on. The DishDrawer™ Dishwasher must be powered on for the flood protection feature to be enabled.

Electrical

- Ensure all electrical tests have been conducted in accordance with local regulations.

Test operation

- Turn on the power for Assisted Opening Accessory.
- Check the Assisted Opening Accessory works by knocking on the door and ensuring that the Assisted Opening Accessory triggers and opens the door.
- Turn on the power and water supplies for DishDrawer™ then open the drawer. You should hear a beep and see a program indicator light up on the control panel.
- Add three cups of water into the drawer.
- Navigate to **RINSE** and start the program.
- Repeat for the other drawer.
- After the Rinse cycle has finished, ensure the dishwasher has run and drained correctly.
- Check the water supply has been shut off correctly.
- Check drainage connections for leaks.
- If site is left without power after installation is complete, ensure water supply is turned off to prevent flooding.**

TROUBLESHOOTING

DISPLAY	POSSIBLE CAUSE	WHAT TO DO
<p>RINSE + all modifiers</p>	<p>A1: Water Supply fault.</p>	<ol style="list-style-type: none"> ① Ensure the water supply is turned on. ② Press ► once to stop the beeping, then again to clear the fault. ③ Press ► to resume the wash program.
<p>ECO, RINSE + all modifiers</p>	<p>A3: Drawer cannot drain. The drainage hose may be blocked or kinked, or the connection to drainage pipe may be blocked.</p>	<ol style="list-style-type: none"> ① Ensure the drainage hose and connection to pipes are not blocked. ② Press ► once to stop the beeping, then again to clear the fault. ③ Press ► to resume the wash program.
<p>GLASSWARE, ECO + all modifiers</p>	<p>A6: The spray arm has loosened or come off its mounting, or water pressure is too low, or a combination of low water pressure and excessive foaming.</p>	<ol style="list-style-type: none"> ① Open the drawer and check the spray arm. ② If the spray arm has loosened or come off its mounting, re-fit it. Check that it is firmly seated and turns freely. Refer to 'Maintenance' in your user guide. ③ Press ► once to stop the beeping, then again to clear the fault. ④ Press ► to resume the wash program.

No program indicator lights up when the drawer is opened

- Ensure power is connected and is switched on.
- **AUTO POWER-ON** may need to be activated. Refer to your user guide for details.

Drawer doesn't close properly

- Ensure nothing is obstructing the drawer from closing such as hoses or drawer latches.
- Check the striker assembly has been fitted and that it is aligned correctly with the Assisted Opening Accessory unit.

Water appears around water supply and drain connections

- Check hoses, connections and existing plumbing for leaks.
- Check rubber washer and hose clamp are correctly fitted.

Product is tipping

- Ensure the product is secured to the cabinetry.

Front panels are misaligned to surrounding cabinetry

- Check cabinetry is square.
- Re-adjust door panels using the door adjustment screws. Refer to page 18 for guidance.
- Re-secure DishDrawer™ Dishwasher to cabinetry

Assisted Opening Accessory doesn't trigger

- Check the DishDrawer™ for fault codes, then power cycle both the DishDrawer™ and the Assisted Opening Accessory.
- Check that the drawer has been closed correctly.
- Check that the Assisted Opening Accessory harness is correctly plugged in at both ends.
- Check that the knock sensor is mounted in the correct orientation (may need a power cycle if the orientation is corrected).

If a problem occurs that is not listed, refer to your user guide for additional troubleshooting. If after checking these points, you still need assistance, please refer to the Service & Warranty book for warranty details or contact us through our website fisherpaykel.com

FISHERPAYKEL.COM

© Fisher & Paykel Appliances 2024. All rights reserved.

The models shown in this guide may not be available in all markets
and are subject to change at any time.

The product specifications in this guide apply to the specific products and
models described at the date of issue. Under our policy of continuous product
improvement, these specifications may change at any time.

For current details about model and specification availability in your country,
please go to our website or contact your local Fisher & Paykel dealer.

592970A 11.24