

60cm Series 9 Contemporary Pyrolytic Oven

Series 9 | Contemporary

Stainless Steel



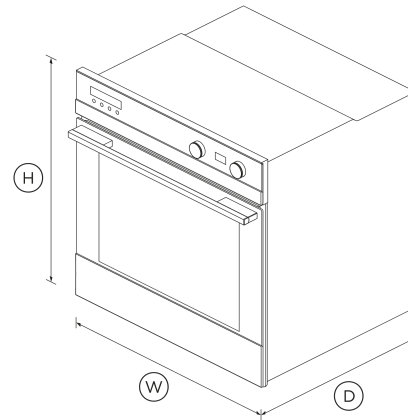
A highlight of the Fisher & Paykel collection, this Series 9 oven ensures that every dish you create is cooked to perfection.

- Generous capacity of 85L
- Pyrolytic self-cleaning breaks down food residue for an easy clean
- Moisture level control with ActiveVent™ technology
- Food probe included

- Triple glazed CoolTouch door

DIMENSIONS

Height	598 mm
Width	596 mm
Depth	565 mm



FEATURES & BENEFITS

Multi-Function Flexibility

11 functions including Roast, Pastry Bake and Fan Grill mean no matter what you're cooking, you've got the right heat to match.

Generous Capacity

With a generous sized internal cavity, you can create several dishes at once using multiple shelves.

ActiveVent™ Technology

With ActiveVent™ technology for optimised moisture levels and AeroTech™ for even heat distribution, you'll get perfect results even when using multiple shelves.

Cleaning Is Simple

Pyrolytic self-clean breaks down food residue at a very high temperature, leaving a light ash that's easily removed with a damp cloth.

Seamless Fit

Designed to fit seamlessly in your kitchen, this built-in oven fits flush with cabinetry to minimise gaps and add to a cohesive aesthetic.

Safe And Sound

The CoolTouch door features triple glazing and a cooling system that ensures it's safe to touch from the outside - protecting both your hands and the surrounding cabinetry.

SPECIFICATIONS

Accessories (included)

Full extension sliding shelves	2 sets
Grill rack	1 set
Roasting dish	1
Smokeless grill tray	1
Step down wire shelf	1
Wired temperature sensor	1

Accessories (sold separately)

Handle kit Contemporary round, aluminium **81645 (optional)**

<p>Optional round handle</p> <hr/> <p>Capacity</p> <p>Shelf positions 6</p> <p>Total capacity 85 L</p> <p>Usable capacity 72 L</p> <hr/> <p>Cleaning</p> <ul style="list-style-type: none"> Acid resistant graphite enamel • Pyrolytic self-clean • Removable oven door • Removable oven door inner glass • Removable shelf runners • <hr/> <p>Controls</p> <ul style="list-style-type: none"> Audio feedback • Automatic cooking/minute timer • Automatic pre-set temperatures • Celsius/Fahrenheit temperature • Electronic clock • Electronic oven control • Soft close doors • Turned stainless capacitive touch buttons with illuminated halos • <hr/> <p>Functions</p> <ul style="list-style-type: none"> Bake • Classic bake • 	<p>Part 81645</p>	<ul style="list-style-type: none"> Fan bake • Fan forced • Fan grill • Grill • Number of functions 11 Pastry Bake • Pyrolytic self-clean • Roast • Vent bake • Warm • <hr/> <p>Performance</p> <ul style="list-style-type: none"> ActiveVent™ system • AeroTech™ technology • Automatic rapid pre-heat • Grill power 3000 W Whisper quiet cooking • <hr/> <p>Power requirements</p> <ul style="list-style-type: none"> Amperage 15 A Supply frequency 50 Hz Supply voltage 220 - 240 V <hr/> <p>Product dimensions</p> <ul style="list-style-type: none"> Depth 565 mm Height 598 mm Width 596 mm 	<p>Safety</p> <ul style="list-style-type: none"> Balanced oven door • Catalytic venting system • Control panel key lock • CoolTouch door • Non-tip shelves • <hr/> <p>SKU 81572</p> <hr/> <p>The product dimensions and specifications in this page apply to the specific product and model. Under our policy of continuous improvement, these dimensions and specifications may change at any time. You should therefore check with Fisher & Paykel's Customer Care Centre to ensure this page correctly describes the model currently available. © Fisher & Paykel Appliances Ltd 2020</p> <p>Other product downloads available at fisherpaykel.com</p> <ul style="list-style-type: none"> ↓ 2D-DWG Oven ↓ 2D-DXF Oven ↓ Data Sheet Oven ↓ Service & Warranty ↓ Installation Guide Built-In Oven <p>Where applicable:</p>
---	--------------------------	---	--

All appliances use energy, and energy usage typically generates carbon emissions. **Fisher & Paykel Appliances' In-use Energy Carbon Emissions Estimate** indicates carbon emissions from a product's in-use energy. This is calculated either annually or per cycle, using the product's market-specific energy label energy consumption data multiplied by the carbon emissions factor for energy in your country or region.

Our In-use Energy Carbon Emissions Estimate is designed to assist customers in making informed purchasing decisions when comparing different Fisher & Paykel products. For example, a heat pump dryer typically has a lower In-use Energy Carbon Emissions Estimate than a vented dryer.



A PEACE OF MIND SALE
24 Hours 7 Days a Week Customer Support
T +65 6741 0777 [Wwww.fisherpaykel.com](http://www.fisherpaykel.com)