

FISHER & PAYKEL

30" PROFESSIONAL
RANGES & BACKGUARDS

RDV3-304, RIV3-304

BGRV2-1230, BGRV2-3030, BGRV3-3030H models

PLANNING GUIDE

CONTENTS

| 30" Professional Range RDV3-304, RIV3-304 | PAGE | |
|--|------|----|
| | in | mm |
| Key Design Decisions | 5 | 17 |
| Ventilation Requirements | 6 | 18 |
| <hr/> | | |
| 30" Professional Range RDV3-304-N, RDV3-304-L | | |
| Product & Cavity Dimensions | 7 | 19 |
| Clearance Dimensions | 8 | 20 |
| Cavity Preparation | 9 | 21 |
| <hr/> | | |
| 30" Professional Range RIV3-304 | | |
| Product & Cavity Dimensions | 10 | 22 |
| Clearance Dimensions | 11 | 23 |
| Cavity Preparation | 12 | 24 |
| <hr/> | | |

CONTENTS (continued)

| 30" Professional Range Backguard BGRV2-1230 | PAGE | |
|---|-------------|-----------|
| | in | mm |
| Product Dimensions | 9 | 18 |
| <hr/> | | |
| 30" Professional Range Backguard BGRV2-3030 | | |
| Product Dimensions | 10 | 19 |
| <hr/> | | |
| 30" Professional Range Backguard BGRV3-3030H | in | mm |
| Product Dimensions | 11 | 20 |

IMPERIAL

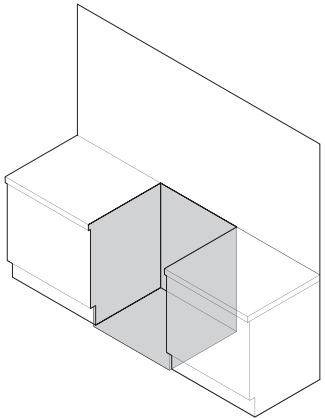
FISHER & PAYKEL

KEY DESIGN DECISIONS 30" Professional Range

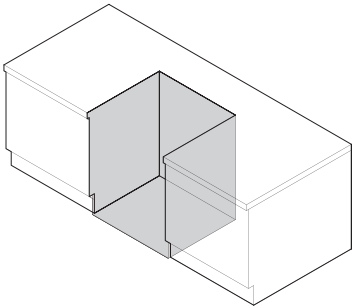
Model no:
RDV3-304, RIV3-304

1

INSTALL TYPE



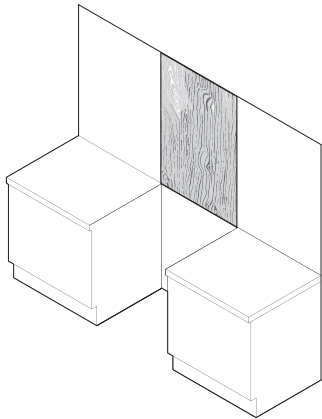
WALL



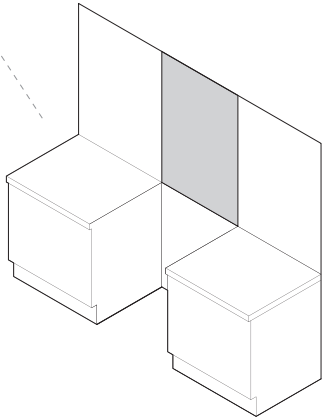
ISLAND

2

REAR SURFACE



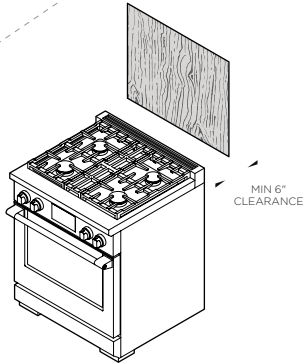
COMBUSTIBLE



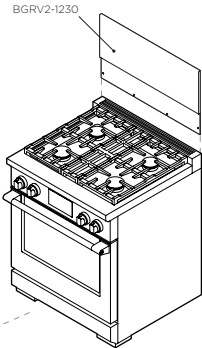
NON COMBUSTIBLE

3

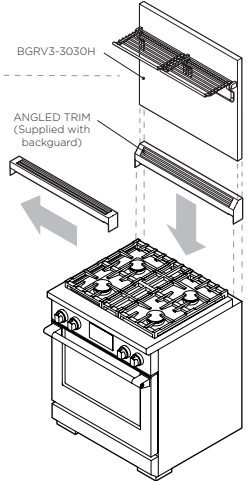
BACKGUARD OPTIONS



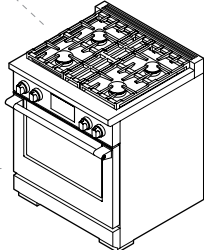
NO BACKGUARD



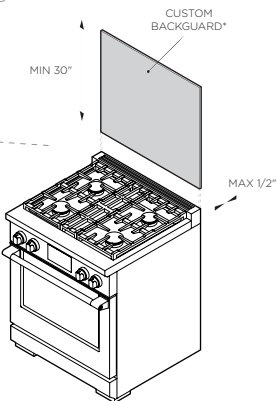
LOW THIN BACKGUARD



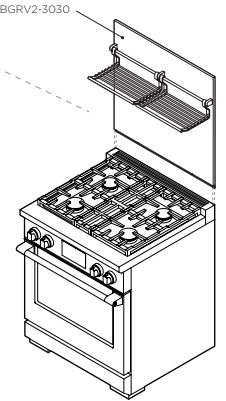
HIGH THICK BACKGUARD WITH ANGLED TRIM



NO BACKGUARD



CUSTOM FABRICATED* BACKGUARD
*Fabricated from non combustible materials only.



HIGH THIN BACKGUARD

DATE: 14.07.2020

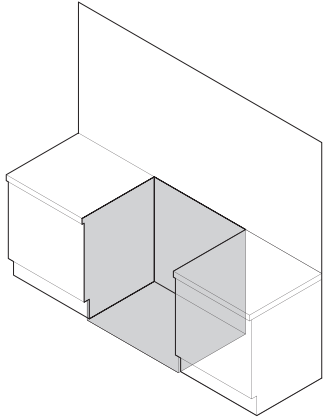
IMPORTANT: Throughout this guide, dimensions may vary by ±2mm (1/16"). Read the installation guide for detailed information on installing the product. For full installation instructions and specifications visit fisherpaykel.com

FISHER & PAYKEL

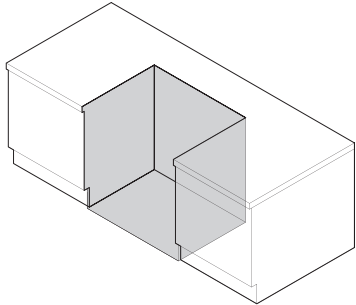
VENTILATION REQUIREMENTS 30" Professional Range

1

INSTALL TYPE



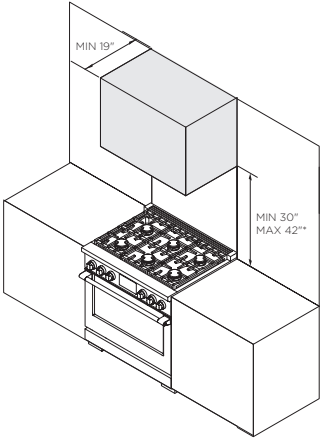
WALL



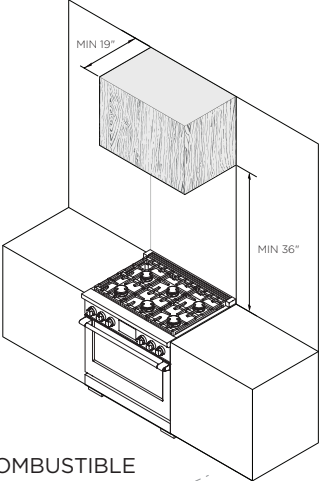
ISLAND

2

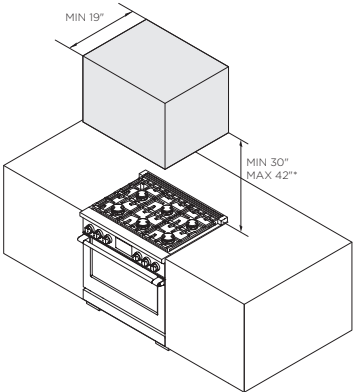
HOOD SURROUND MATERIAL



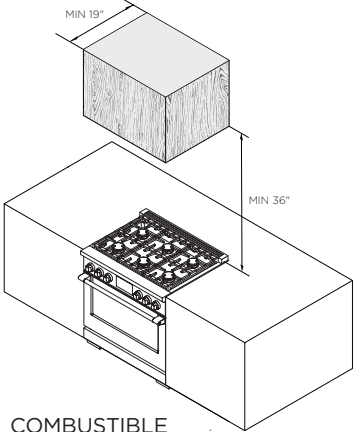
NON COMBUSTIBLE



COMBUSTIBLE



NON COMBUSTIBLE



COMBUSTIBLE

Model no:
RDV3-304, RIV3-304

Specifications

| Ventilation Unit | Wall Installation |
|------------------|-------------------------------|
| Hood | Minimum 19" Deep x Unit Width |
| Blower | Minimum 550 CFM |

| Ventilation Unit | Island Installation |
|------------------|-------------------------------|
| Hood | Minimum 19" Deep x Unit Width |
| Blower | Minimum 550 CFM |

Note: A suitable hood must be installed above the range. The above indicates the minimum blower capacity recommended for hood ventilation.

*Recommended maximum.

DATE: 14.07.2020

IMPORTANT: Throughout this guide, dimensions may vary by ±2mm (1/16"). Read the installation guide for detailed information on installing the product. For full installation instructions and specifications visit fisherpaykel.com

FISHER & PAYKEL

PRODUCT & CAVITY DIMENSIONS 30" Professional Range - Dual Fuel

Model no:
RDV3-304

| Product Dimensions | in |
|---|----------------------------|
| Ⓐ Height of range (from floor to cooktop, excluding grates and rear trim) | min 35 3/4" max 36 3/4" |
| Ⓑ Overall width of range | 29 7/8" |
| Ⓒ Overall depth of range (excluding handle and dials) | 29 1/8" |
| Ⓓ Depth from rear of chassis to cabinetry face - projecting | 25 3/8" |
| Ⓔ Depth from rear of chassis to cabinetry face - flush | 27 11/16" |
| Ⓕ Height from countertop to top of pan supports | 1 9/16" |
| Ⓖ Height of rear trim | 1 3/4" |
| Ⓗ Depth of rear trim | 2 7/8" |
| Ⓘ Height from countertop to bottom of control panel | 7 3/4" |
| Ⓚ Height from countertop to top of door | 8 1/8" |
| Ⓛ Height from countertop to centre of handle | 9 7/16" |
| Ⓛ Height from countertop to bottom of door | 29" |
| Ⓜ Height from countertop to top of lower panel | 29 15/16" |
| Ⓨ Height from countertop to bottom of lower panel | 33 5/8" |
| ⓐ Thickness of handle (not including standoffs) | 1 1/4" |
| ⓑ Width of handle (including standoffs) | 29 1/8" |
| ⓓ Depth of handle (measured from front of door) | 2 7/8" |
| Ⓡ Depth of front of cooktop to control panel | 1 7/16" |
| Ⓢ Height of cooktop front face | 1 3/8" |
| Ⓣ Height from top of cooktop to control panel | 2" |
| Ⓤ Depth of open door to cabinetry face - flush | 19 1/8" |
| Ⓟ Adjustable feet height | min 1/2" max 1 1/2" |

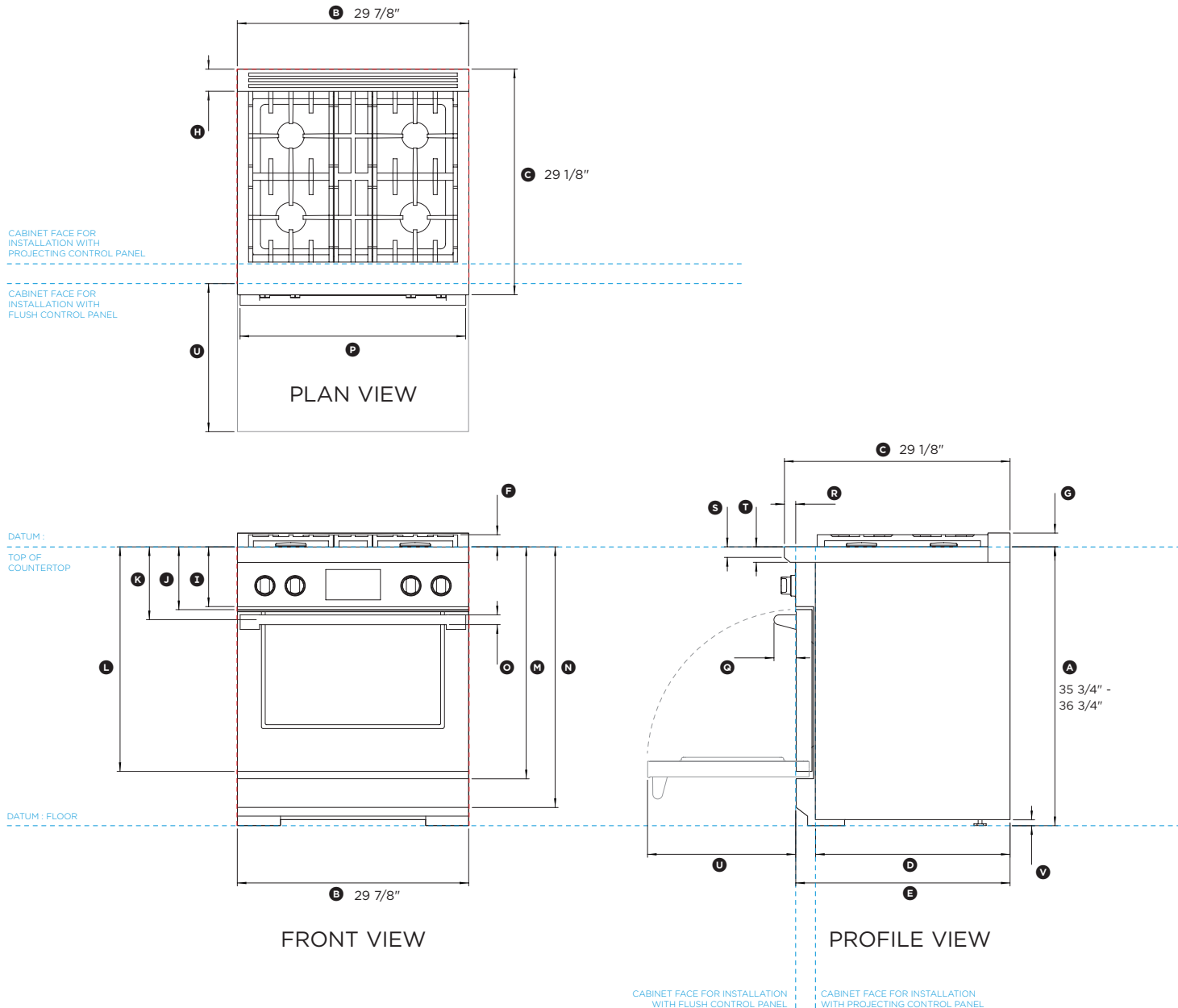
| Cavity Dimensions | mm |
|--|--------------------|
| Overall width of cavity | min 30" |
| Overall depth of cavity for projecting control panel | max 25 3/8" |
| Overall depth of cavity for flush control panel | max 27 11/16" |
| Overall height of cavity | 35 3/4" 36 3/4" |

IMPORTANT NOTE: For full installation and clearance details please refer to our installation manual.

INDICATES PRODUCT DATUM -----

DATE: **14.07.2020**

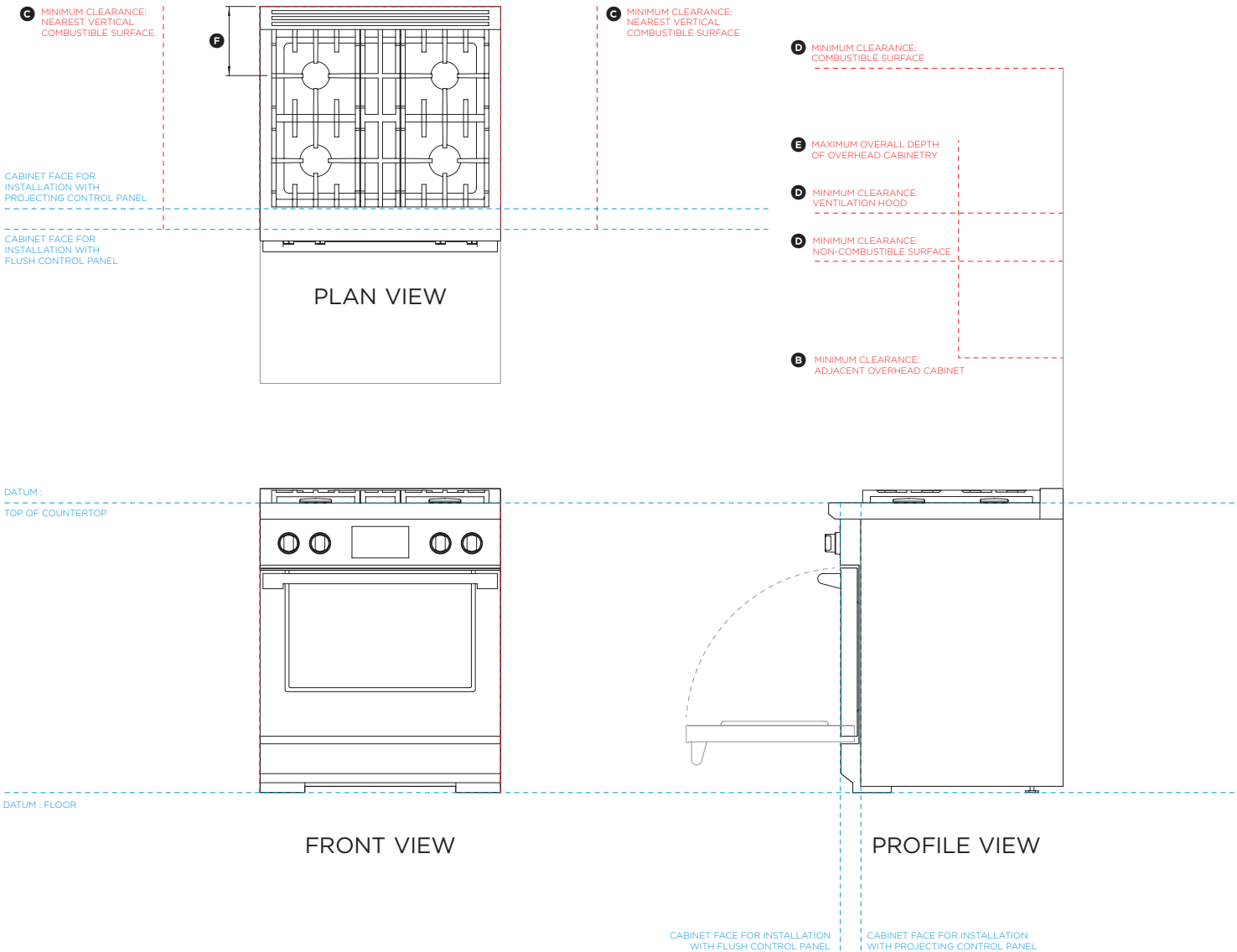
IMPORTANT: Throughout this guide, dimensions may vary by ±2mm (1/16"). Read the installation guide for detailed information on installing the product. For full installation instructions and specifications visit fisherpaykel.com



0 5 10 20
inches

FISHER & PAYKEL

CLEARANCE DIMENSIONS 30" Professional Range - Dual Fuel



Model no:
RDV3-304

| Clearance Dimensions | in |
|--|------------|
| Ⓐ Minimum width of ventilation hood installed above range - not shown* | 30" |
| Ⓑ Minimum vertical distance between countertop and cabinet extending above counter | 18" |
| Ⓒ Minimum clearance from left and right of range to nearest vertical combustible surface | 12" |
| Ⓓ Minimum clearance from cooking surface to: - combustible surface centered above the cooking surface - combustible covering for ventilation hood centered above the cooking surface | 54" 36" |
| - non-combustible surface** centered above the cooking surface | 30" |
| Ⓔ Maximum overall depth of overhead cabinetry | 13" |
| Ⓕ Distance from center of rear burner to rear of product | 8 5/8" |

*IMPORTANT NOTE: For full installation and clearance details please refer to our installation manual.

**Non-combustible surfaces: as defined in 'National Fuel Gas Code' (ANSI Z223.1, Current Edition). Clearances from non-combustible materials are not part of the ANSI Z21.1 scope and are not certified by UL. Clearances of less than 6" (152mm) must be approved by the local codes and/or by the local authority having jurisdiction.

INDICATES CABINETRY CLEARANCES -----

INDICATES PRODUCT DATUM -----

DATE: **14.07.2020**

IMPORTANT: Throughout this guide, dimensions may vary by ±2mm (1/16"). Read the installation guide for detailed information on installing the product. For full installation instructions and specifications visit fisherpaykel.com



FISHER & PAYKEL

CAVITY PREPARATION 30" Professional Range - Dual Fuel

Model no:
RDV3-304

Specifications

Oven Total Capacity 4 cu.ft

Electrical

Supply 120/240 VAC, 60Hz

Service 30 amp circuit

Max Current Draw 27 A

Receptacle 4-prong grounding type [NEMA 14-50P plug]

Gas

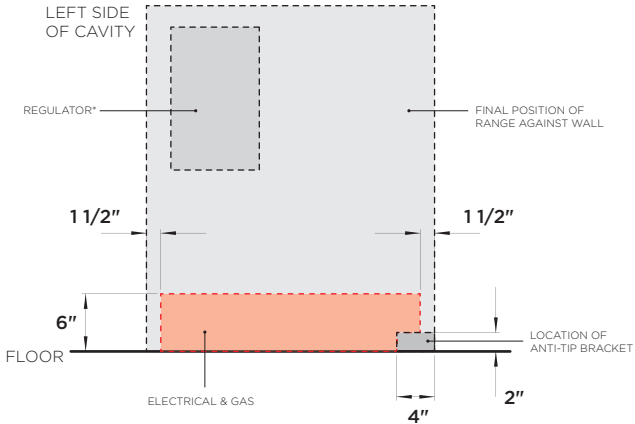
Types Natural Gas 6" to 9" W.C

LP Propane 11" to 14" W.C

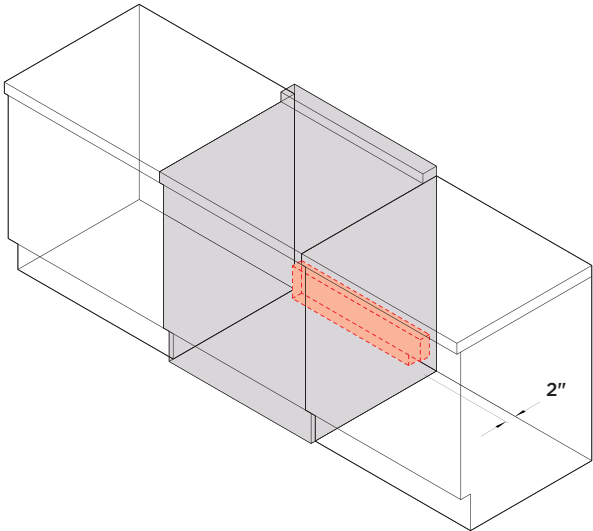
Connection 1/2" NPT Minimum 5/8" dia. flex line

*Regulator location may vary depending on model.

IMPORTANT NOTE: For full installation and connection details please refer to our installation manual.



REAR OF CAVITY



DATE: 14.07.2020

IMPORTANT: Throughout this guide, dimensions may vary by ±2mm (1/16"). Read the installation guide for detailed information on installing the product. For full installation instructions and specifications visit fisherpaykel.com

FISHER & PAYKEL

PRODUCT & CAVITY DIMENSIONS 30" Professional Range - Induction

Model no:
RIV3-304

| Product Dimensions | in |
|---|----------------------------|
| Ⓐ Height of range (from floor to cooktop, excluding grates and rear trim) | min 35 3/4" max 36 3/4" |
| Ⓑ Overall width of range | 29 7/8" |
| Ⓒ Overall depth of range (excluding handle and dials) | 29 1/8" |
| Ⓓ Depth from rear of chassis to cabinetry face - projecting | 25 3/8" |
| Ⓔ Depth from rear of chassis to cabinetry face - flush | 27 11/16" |
| Ⓕ Height of rear trim | 1 3/4" |
| Ⓖ Depth of rear trim | 2 7/8" |
| Ⓗ Height from countertop to bottom of control panel | 7 3/4" |
| Ⓘ Height from countertop to top of door | 8 1/8" |
| Ⓛ Height from countertop to centre of handle | 9 7/16" |
| Ⓚ Height from countertop to bottom of door | 29" |
| Ⓛ Height from countertop to top of lower panel | 29 15/16" |
| Ⓚ Height from countertop to bottom of lower panel | 33 5/8" |
| Ⓛ Thickness of handle (not including standoffs) | 1 1/4" |
| Ⓛ Width of handle (including standoffs) | 29 1/8" |
| Ⓛ Depth of handle (measured from front of door) | 2 7/8" |
| Ⓛ Depth of front of cooktop to control panel | 1 7/16" |
| Ⓛ Height of cooktop front face | 1 3/8" |
| Ⓛ Height from top of cooktop to control panel | 2" |
| Ⓛ Depth of open door to cabinetry face - flush | 19 1/8" |
| Ⓛ Adjustable feet height | min 1/2" max 1 1/2" |

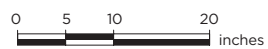
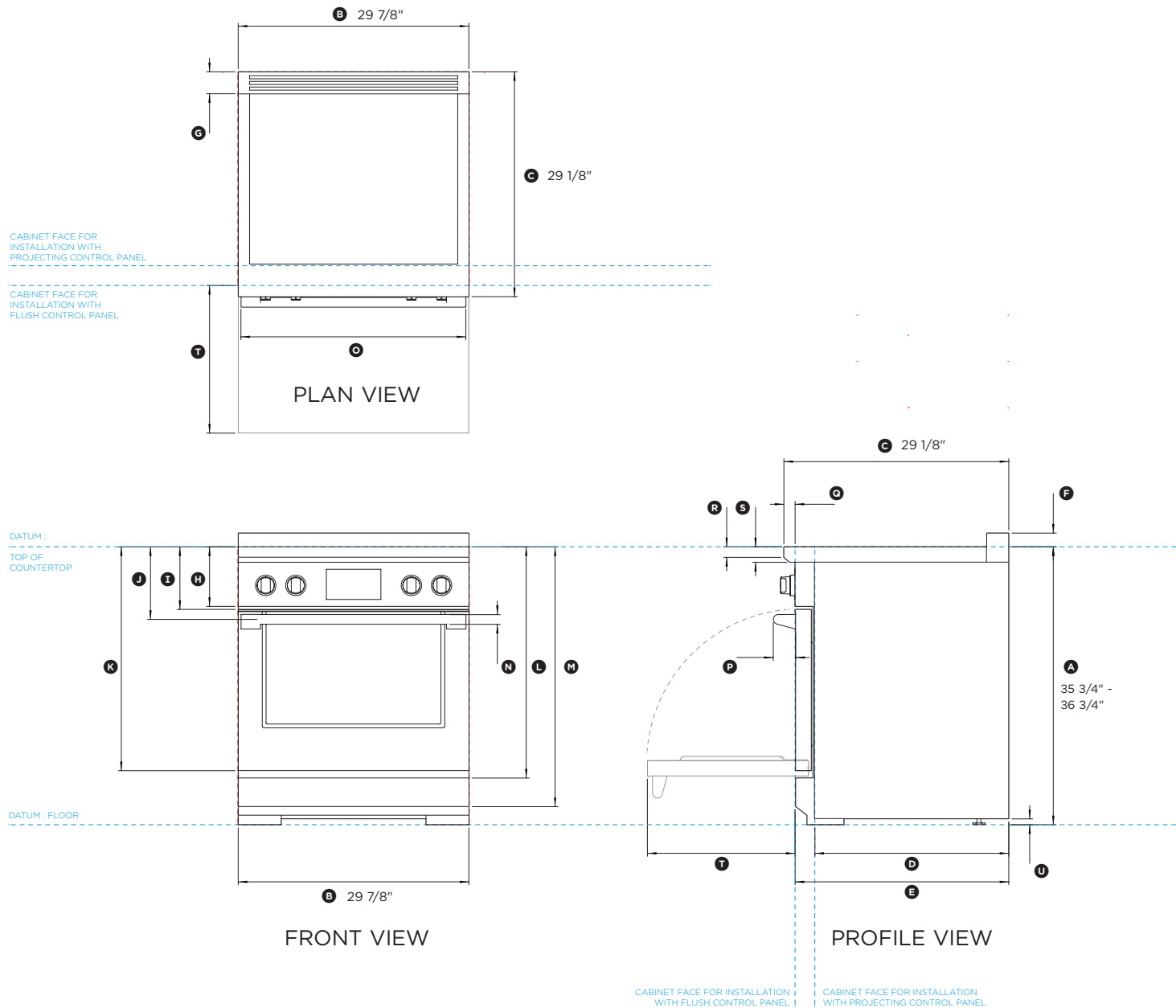
| Cavity Dimensions | mm |
|--|--------------------|
| Overall width of cavity | min 30" |
| Overall depth of cavity for projecting control panel | max 25 3/8" |
| Overall depth of cavity for flush control panel | max 27 11/16" |
| Overall height of cavity | 35 3/4" 36 3/4" |

IMPORTANT NOTE: For full installation and clearance details please refer to our installation manual.

INDICATES CAVITY CLEARANCES -----
INDICATES PRODUCT DATUM - - - - -

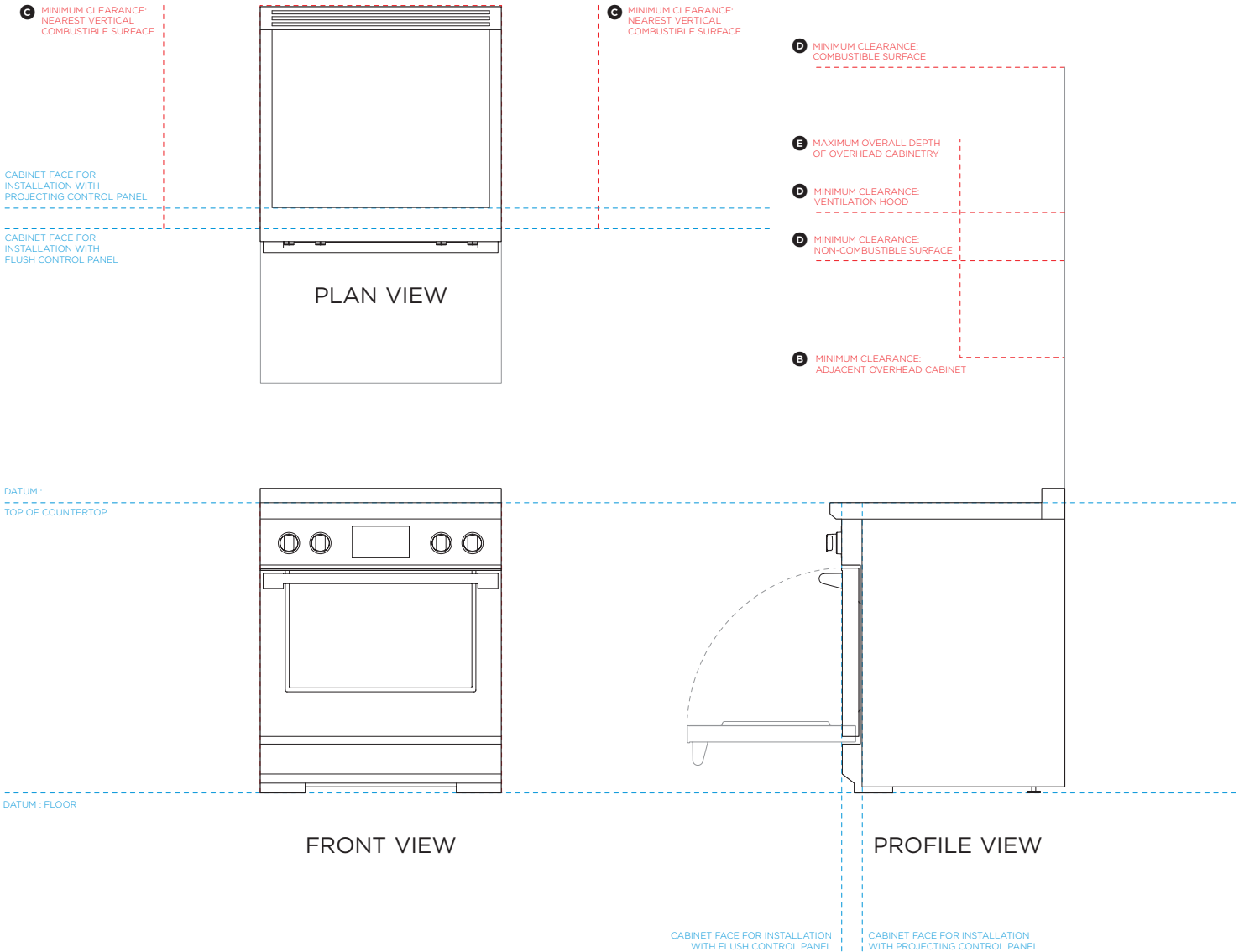
DATE: **14.07.2020**

IMPORTANT: Throughout this guide, dimensions may vary by ±2mm (1/16"). Read the installation guide for detailed information on installing the product. For full installation instructions and specifications visit fisherpaykel.com



FISHER & PAYKEL

CLEARANCE DIMENSIONS 30" Professional Range - Induction



Model no:
RIV3-304

| Clearance Dimensions | in |
|--|------------|
| Ⓐ Minimum width of ventilation hood installed above range - not shown* | 30" |
| Ⓑ Minimum vertical distance between countertop and cabinet extending above counter | 18" |
| Ⓒ Minimum clearance from left and right of range to nearest vertical combustible surface | 12" |
| Ⓓ Minimum clearance from cooking surface to: - combustible surface centered above the cooking surface - combustible covering for ventilation hood centered above the cooking surface | 54" 36" |
| - non-combustible surface** centered above the cooking surface | 30" |
| Ⓔ Maximum overall depth of overhead cabinetry | 13" |

*IMPORTANT NOTE: For full installation and clearance details please refer to our installation manual.

**Non-combustible surfaces: as defined in 'National Fuel Gas Code' (ANSI Z223.1, Current Edition). Clearances from non-combustible materials are not part of the ANSI Z21.1 scope and are not certified by UL. Clearances of less than 6" (152mm) must be approved by the local codes and/or by the local authority having jurisdiction.

INDICATES CLEARANCES -----
INDICATES PRODUCT DATUM - - - - -

DATE: **14.07.2020**

IMPORTANT: Throughout this guide, dimensions may vary by ±2mm (1/16"). Read the installation guide for detailed information on installing the product. For full installation instructions and specifications visit fisherpaykel.com



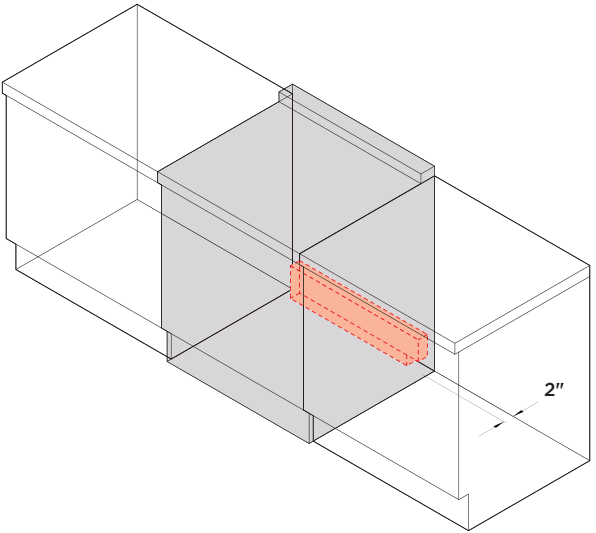
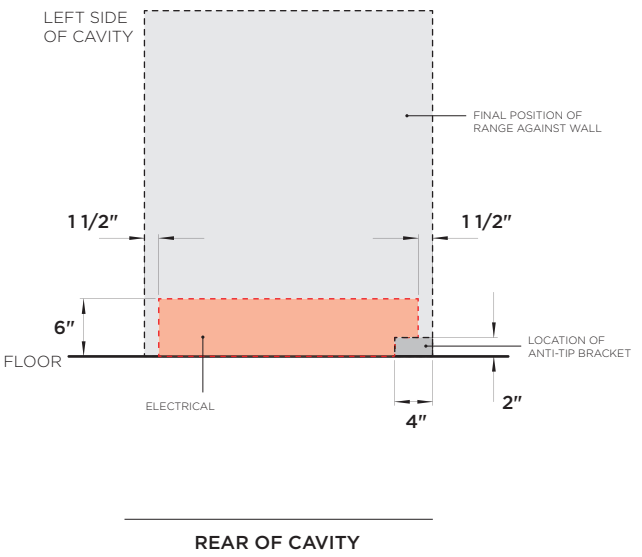
FISHER & PAYKEL

CAVITY PREPARATION 30" Professional Range - Induction

Model no:
RIV3-304

| Specifications | |
|----------------------------|---|
| Oven Total Capacity | 4 cu.ft |
| Electrical | |
| Supply | 120/240 VAC, 60Hz |
| Service | 50 amp circuit |
| Max Current Draw | 57 A |
| Receptacle | 4-prong grounding type [NEMA 14-50P plug] |

IMPORTANT NOTE: For full installation and connection details please refer to our installation manual.

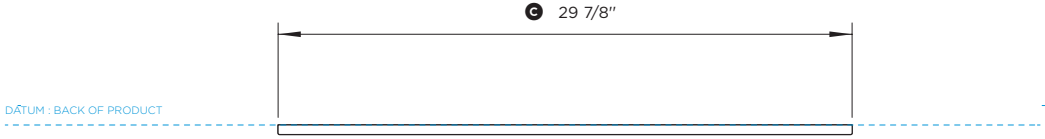
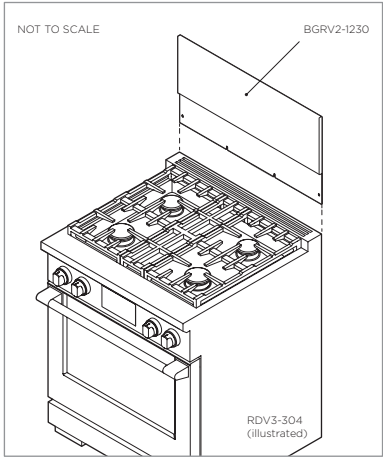


DATE: **14.07.2020**

IMPORTANT: Throughout this guide, dimensions may vary by ±2mm (1/16"). Read the installation guide for detailed information on installing the product. For full installation instructions and specifications visit fisherpaykel.com

FISHER & PAYKEL

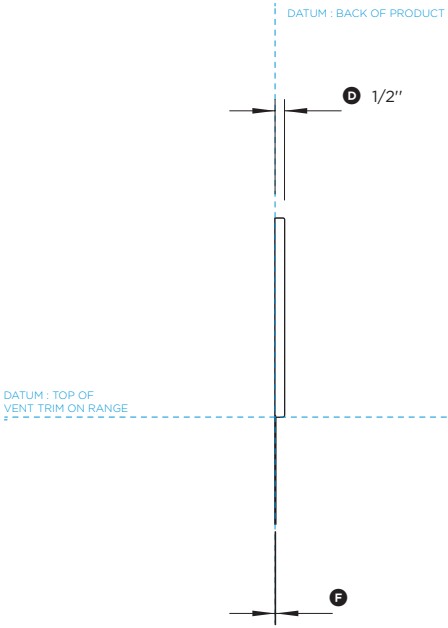
PRODUCT DIMENSIONS 30" Professional Range Backguard



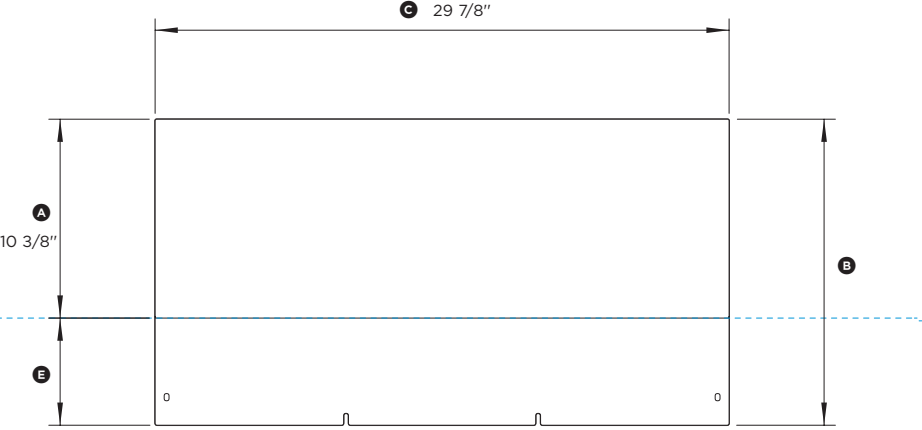
PLAN VIEW

Model no:
BGRV2-1230

| Product Dimensions | in |
|--|-----------|
| Ⓐ Height of backguard above vent trim on range | 10 3/8" |
| Ⓑ Overall height of backguard | 15 15/16" |
| Ⓒ Overall width of backguard | 29 7/8" |
| Ⓓ Overall depth of backguard | 1/2" |
| Ⓔ Height of backguard below vent trim on range | 5 9/16" |
| Ⓕ Depth of backguard below vent trim on range | 1/16" |

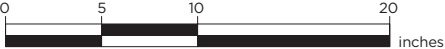


PROFILE VIEW



FRONT VIEW

INDICATES PRODUCT DATUM -----

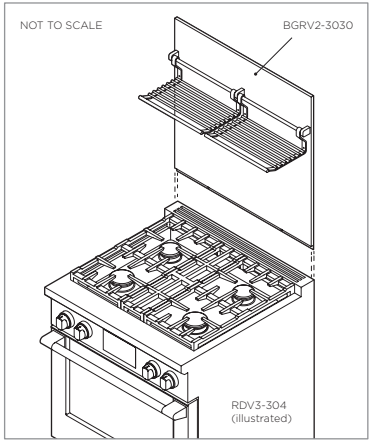


DATE: **14.07.2020**

IMPORTANT: Throughout this guide, dimensions may vary by ±2mm (1/16"). Read the installation guide for detailed information on installing the product. For full installation instructions and specifications visit fisherpaykel.com

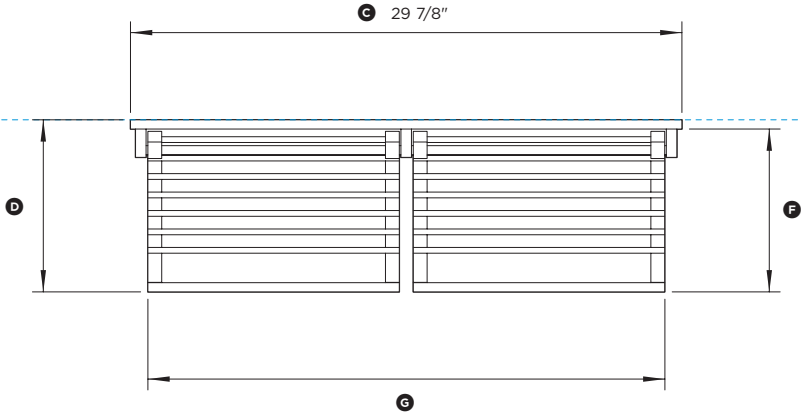
FISHER & PAYKEL

PRODUCT DIMENSIONS 30" Professional Range Backguard

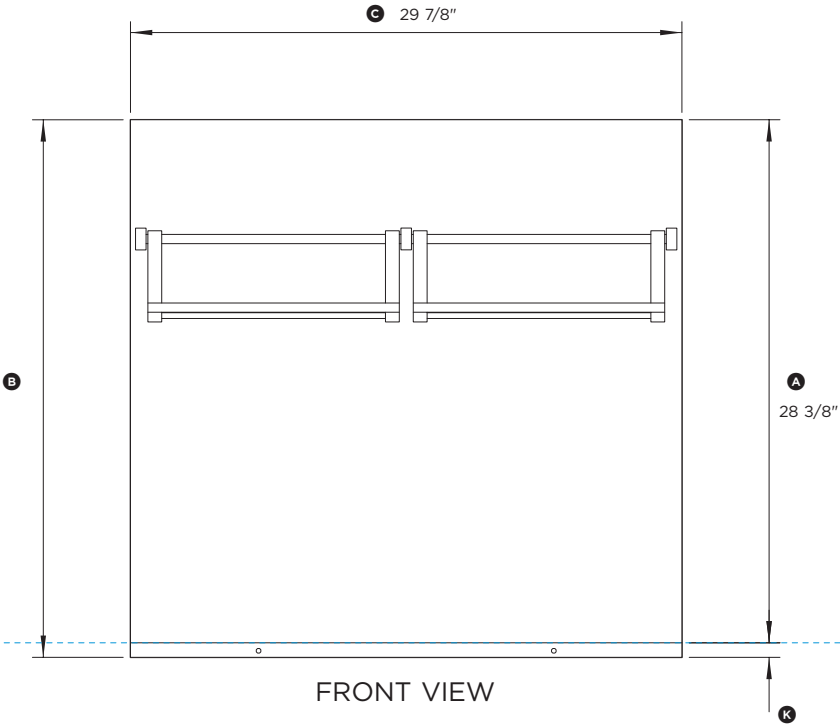


DATUM: BACK OF PRODUCT

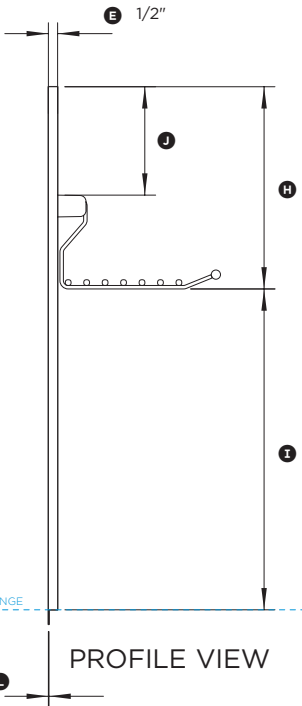
DATUM: BACK OF PRODUCT



PLAN VIEW

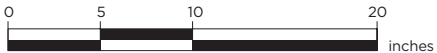


FRONT VIEW



PROFILE VIEW

DATUM: TOP OF VENT TRIM ON RANGE



Model no:
BGRV2-3030

| Product Dimensions | in |
|--|-----------|
| Ⓐ Height of backguard above vent trim on range | 28 3/8" |
| Ⓑ Overall height of backguard | 29 1/8" |
| Ⓒ Overall width of backguard | 29 7/8" |
| Ⓓ Overall depth of backguard and racks | 9 5/16" |
| Ⓔ Depth of backguard | 1/2" |
| Ⓕ Depth of racks | 8 13/16" |
| Ⓖ Width of racks | 28" |
| Ⓗ Distance from top of backguard to bottom of racks | 10 15/16" |
| Ⓘ Distance from bottom of backguard to bottom of racks | 17 3/8" |
| Ⓚ Distance from top of backguard to top of brackets | 5 7/8" |
| Ⓛ Height of backguard below vent trim on range | 13/16" |
| Ⓜ Depth of backguard below vent trim on range | 1/16" |

INDICATES PRODUCT DATUM

DATE: 14.07.2020

IMPORTANT: Throughout this guide, dimensions may vary by ±2mm (1/16"). Read the installation guide for detailed information on installing the product. For full installation instructions and specifications visit fisherpaykel.com

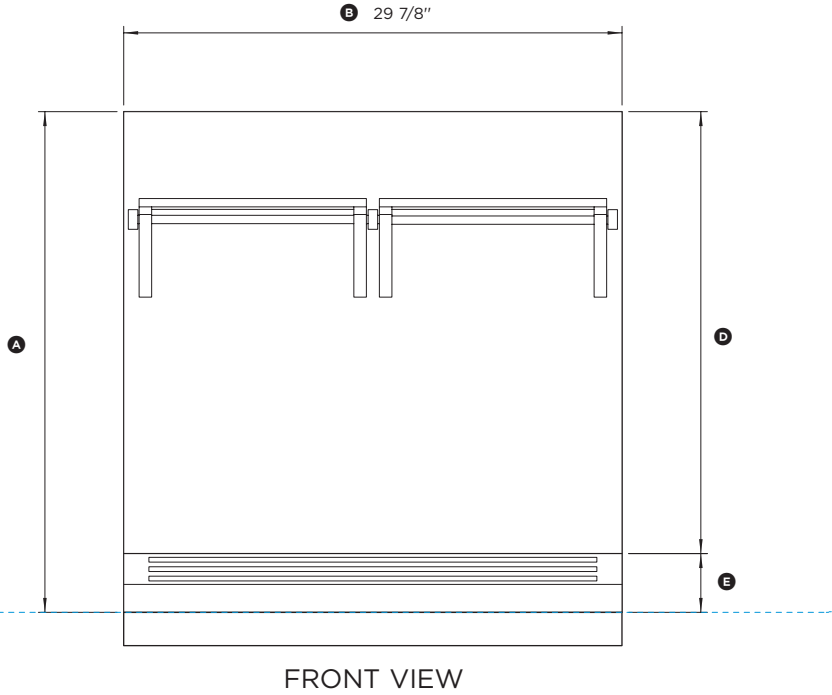
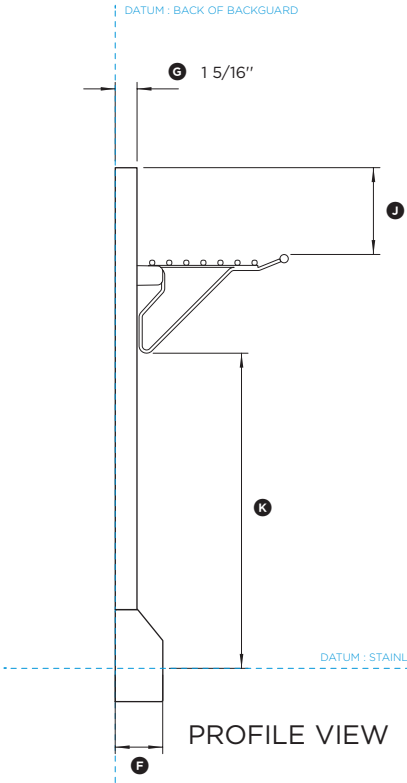
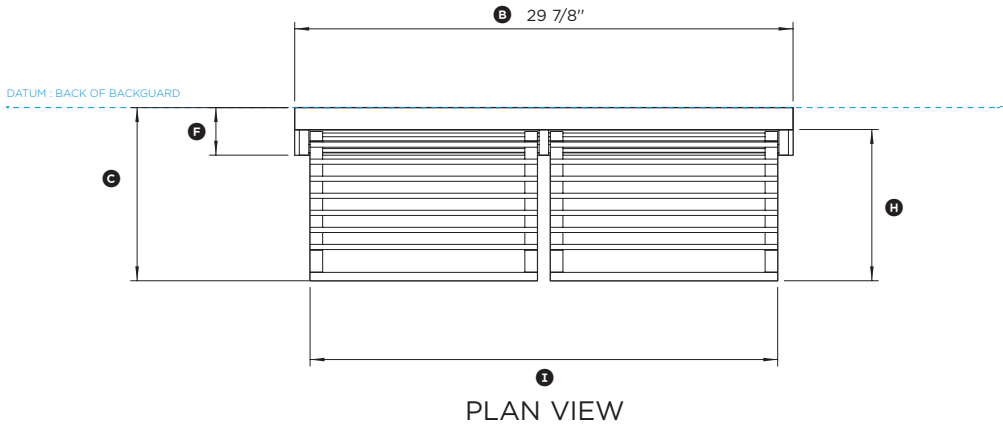
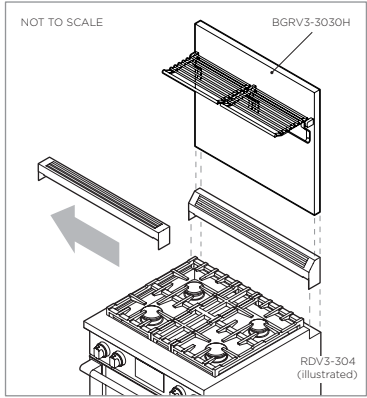
FISHER & PAYKEL

PRODUCT DIMENSIONS 30" Professional Range Backguard with Angled Vent Trim

Model no:
BGRV3-3030H

| Product Dimensions | in |
|---|---------|
| Ⓐ Overall height of backguard with angled vent trim | 30" |
| Ⓑ Overall width of backguard | 29 7/8" |
| Ⓒ Overall depth of backguard and racks | 10 3/8" |
| Ⓓ Height of backguard | 26 1/2" |
| Ⓔ Height of angled vent trim | 3 1/2" |
| Ⓕ Depth of angled vent trim | 2 7/8" |
| Ⓖ Depth of backguard | 1 5/16" |
| Ⓜ Depth of racks | 9 1/16" |
| Ⓨ Width of racks | 28" |
| Ⓦ Distance from top of backguard to top of racks | 5 3/8" |
| Ⓧ Distance from bottom of angled vent trim to bottom of racks | 18 7/8" |

Note: Angled vent trim supplied with BGRV3-3030H.
Remove flat vent trim and replace with angled vent trim.



INDICATES PRODUCT DATUM -----

DATE: 14.07.2020

IMPORTANT: Throughout this guide, dimensions may vary by ±2mm (1/16").
Read the installation guide for detailed information on installing the product.
For full installation instructions and specifications visit fisherpaykel.com

METRIC

FISHER & PAYKEL

KEY DESIGN DECISIONS 30" Professional Range

1

INSTALL TYPE

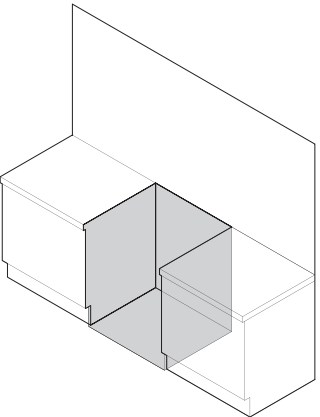
2

REAR SURFACE

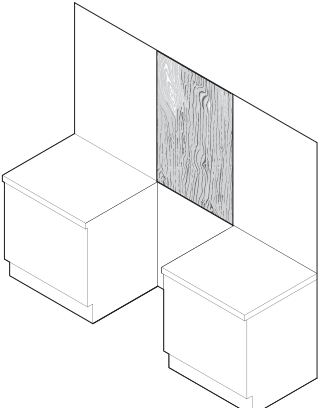
3

BACKGUARD OPTIONS

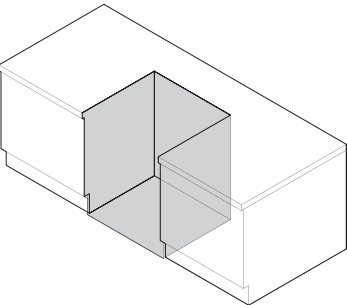
Model no:
RDV3-304, RIV3-304



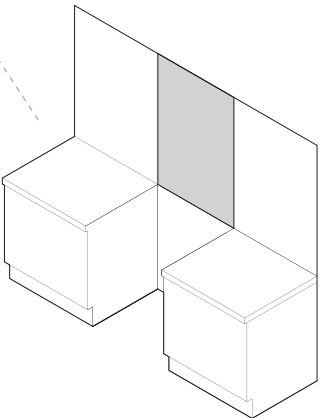
WALL



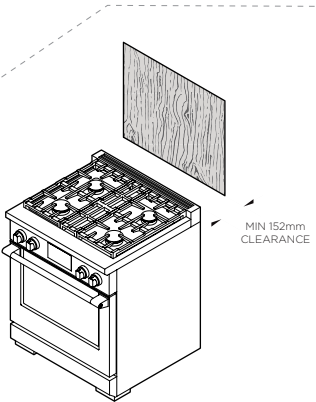
COMBUSTIBLE



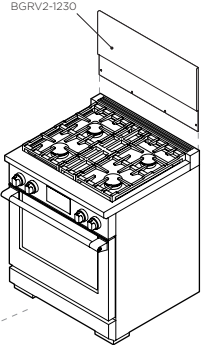
ISLAND



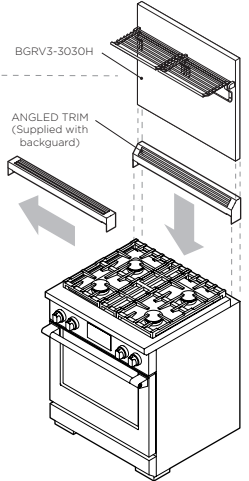
NON COMBUSTIBLE



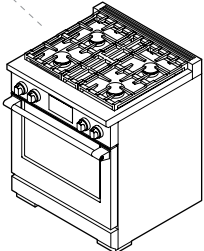
NO BACKGUARD



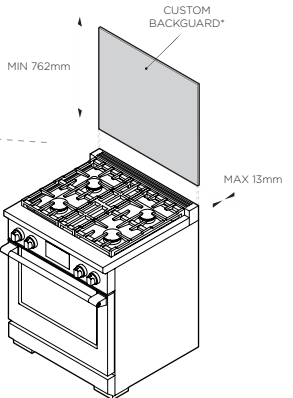
LOW THIN BACKGUARD



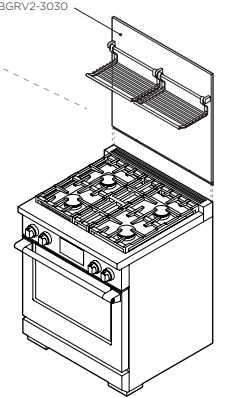
HIGH THICK BACKGUARD WITH ANGLED TRIM



NO BACKGUARD



CUSTOM FABRICATED* BACKGUARD
*Fabricated from non combustible materials only.



HIGH THIN BACKGUARD

DATE: 14.07.2020

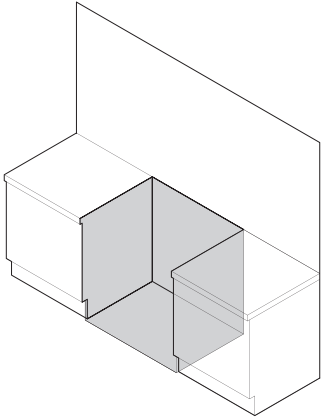
IMPORTANT: Throughout this guide, dimensions may vary by ±2mm (1/16"). Read the installation guide for detailed information on installing the product. For full installation instructions and specifications visit fisherpaykel.com

FISHER & PAYKEL

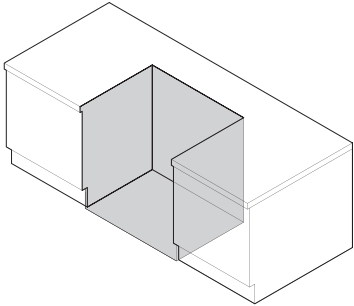
VENTILATION REQUIREMENTS 30" Professional Range

1

INSTALL TYPE



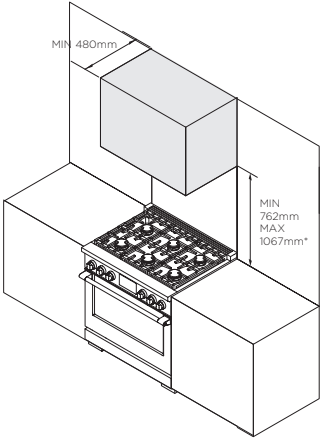
WALL



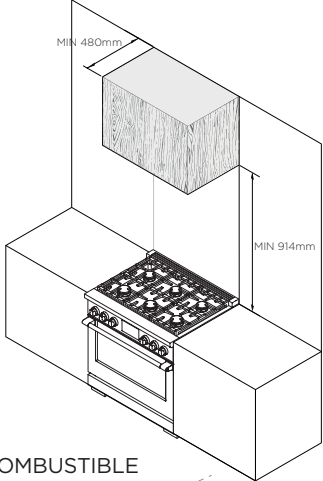
ISLAND

2

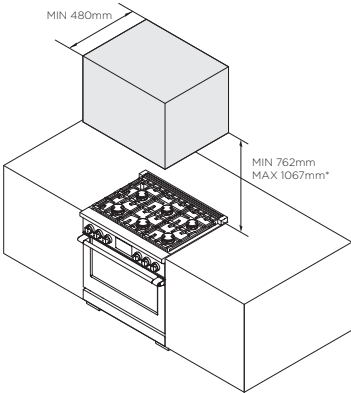
HOOD SURROUND MATERIAL



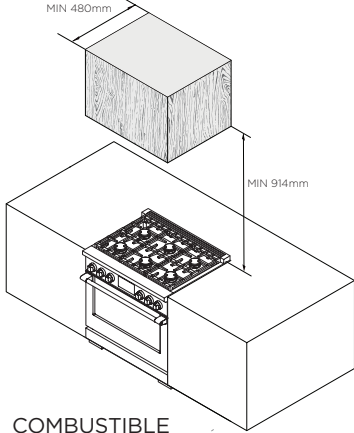
NON COMBUSTIBLE



COMBUSTIBLE



NON COMBUSTIBLE



COMBUSTIBLE

Model no:
RDV3-304, RIV3-304

Specifications

| Ventilation Unit | Wall Installation |
|------------------|---------------------------------|
| Hood | Minimum 480mm Deep x Unit Width |
| Blower | Minimum 550 CFM |

| Ventilation Unit | Island Installation |
|------------------|---------------------------------|
| Hood | Minimum 480mm Deep x Unit Width |
| Blower | Minimum 550 CFM |

Note: A suitable hood must be installed above the range. The above indicates the minimum blower capacity recommended for hood ventilation.

*Recommended maximum.

DATE: 14.07.2020

IMPORTANT: Throughout this guide, dimensions may vary by ±2mm (1/16"). Read the installation guide for detailed information on installing the product. For full installation instructions and specifications visit fisherpaykel.com

FISHER & PAYKEL

PRODUCT & CAVITY DIMENSIONS 30" Professional Range - Dual Fuel

Model no:
RDV3-304

| Product Dimensions | mm |
|---|--------------------|
| Ⓐ Height of range (from floor to cooktop, excluding grates and rear trim) | min 908 max 933 |
| Ⓑ Overall width of range | 759 |
| Ⓒ Overall depth of range (excluding handle and dials) | 740 |
| Ⓓ Depth from rear of chassis to cabinetry face - projecting | 644 |
| Ⓔ Depth from rear of chassis to cabinetry face - flush | 703 |
| Ⓕ Height from countertop to top of pan supports | 40 |
| Ⓖ Height of rear trim | 45 |
| Ⓗ Depth of rear trim | 73 |
| Ⓘ Height from countertop to bottom of control panel | 196 |
| Ⓚ Height from countertop to top of door | 206 |
| Ⓛ Height from countertop to centre of handle | 239 |
| Ⓜ Height from countertop to bottom of door | 737 |
| Ⓝ Height from countertop to top of lower panel | 761 |
| Ⓞ Height from countertop to bottom of lower panel | 855 |
| Ⓟ Thickness of handle (not including standoffs) | 32 |
| Ⓠ Width of handle (including standoffs) | 740 |
| Ⓡ Depth of handle (measured from front of door) | 73 |
| Ⓢ Depth of front of cooktop to control panel | 37 |
| Ⓣ Height of cooktop front face | 35 |
| Ⓤ Height from top of cooktop to control panel | 51 |
| Ⓡ Depth of open door to cabinetry face - flush | 486 |
| Ⓢ Adjustable feet height | min 13 max 38 |

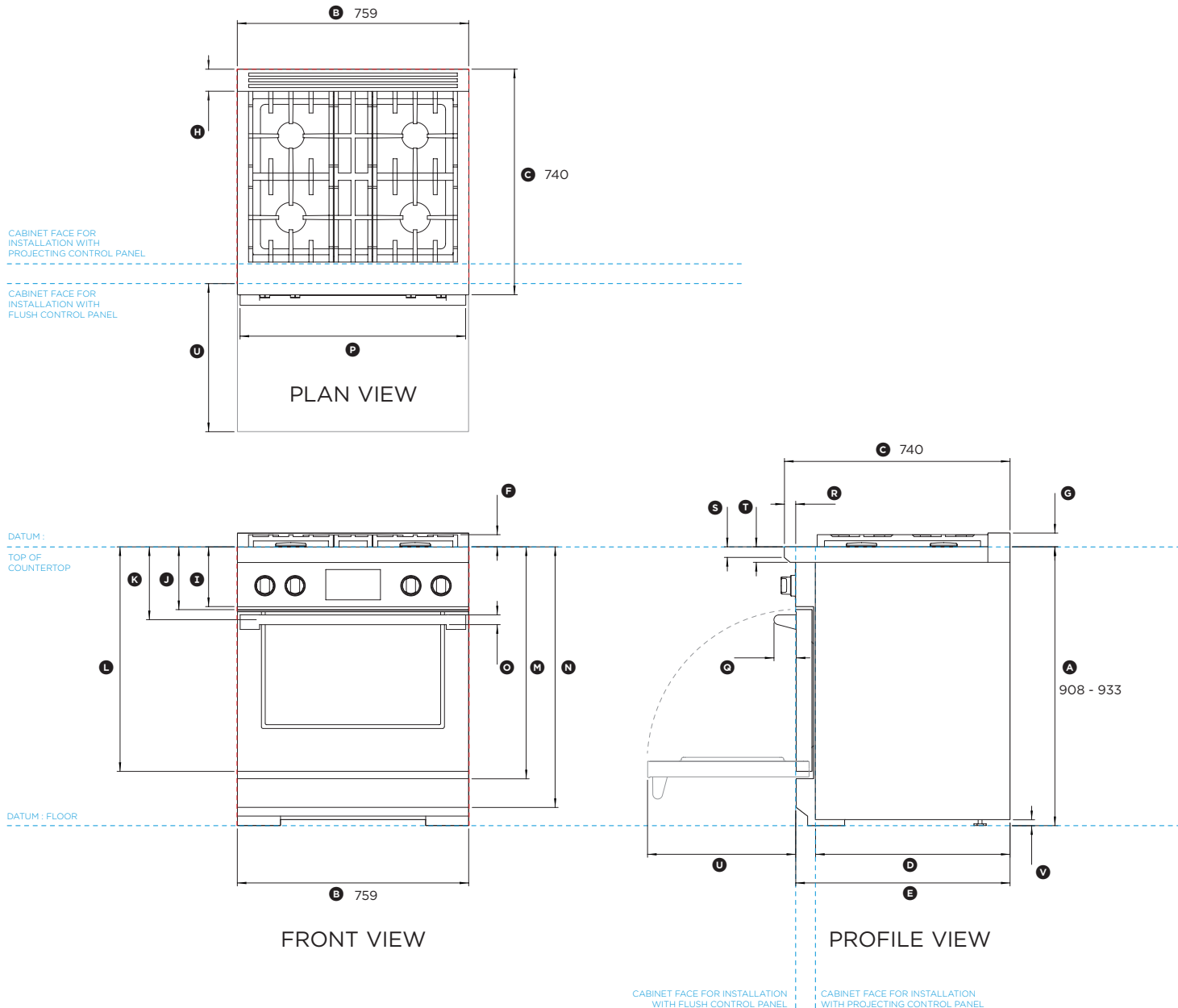
| Cavity Dimensions | mm |
|--|------------|
| Overall width of cavity | min 762 |
| Overall depth of cavity for projecting control panel | max 644 |
| Overall depth of cavity for flush control panel | max 703 |
| Overall height of cavity | 908 933 |

IMPORTANT NOTE: For full installation and clearance details please refer to our installation manual.

INDICATES PRODUCT DATUM -----

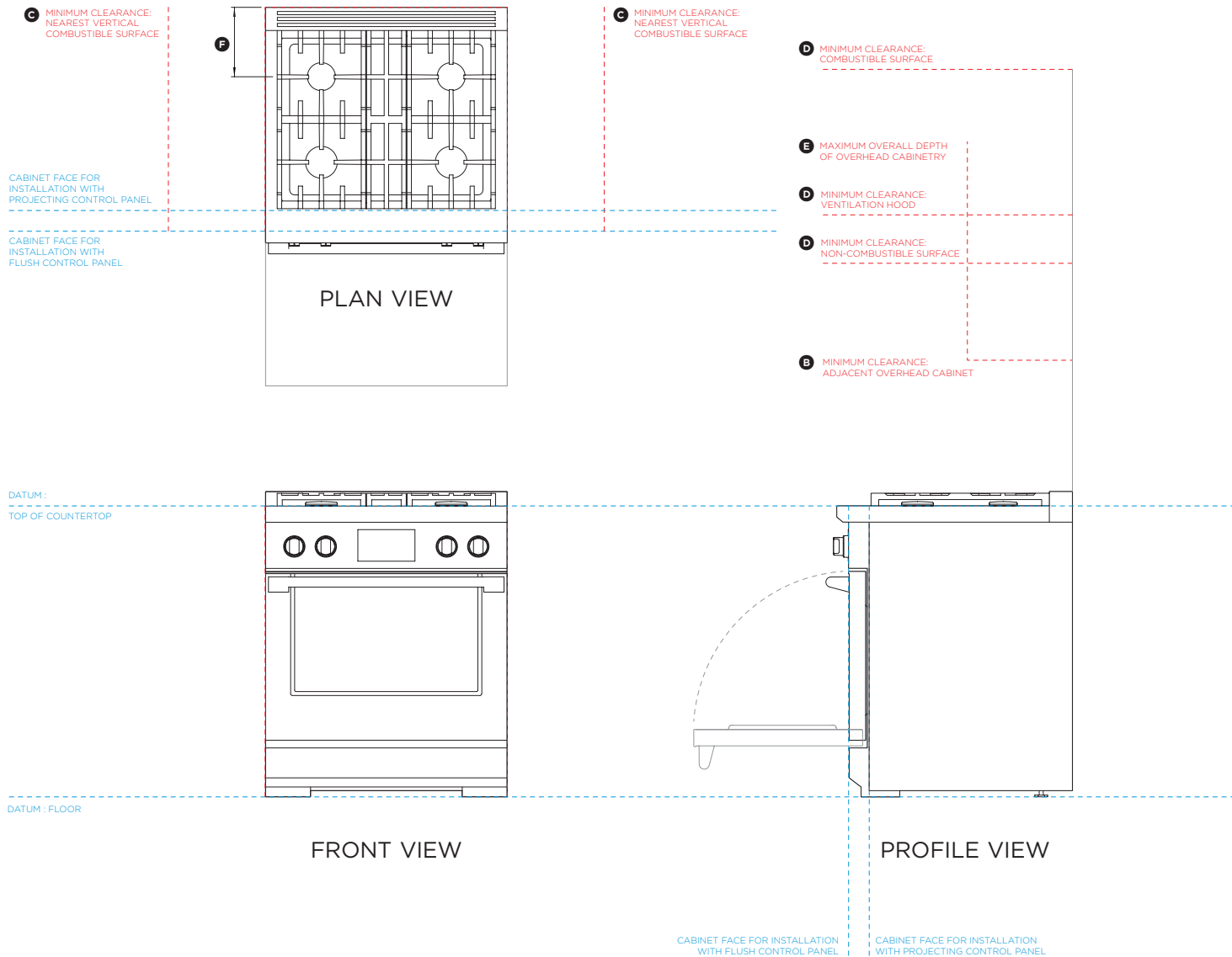
DATE: **14.07.2020**

IMPORTANT: Throughout this guide, dimensions may vary by ±2mm (1/16"). Read the installation guide for detailed information on installing the product. For full installation instructions and specifications visit fisherpaykel.com



FISHER & PAYKEL

CLEARANCE DIMENSIONS 30" Professional Range - Dual Fuel



Model no:
RDV3-304

| Clearance Dimensions | mm |
|--|-------------|
| Ⓐ Minimum width of ventilation hood installed above range - not shown* | 762 |
| Ⓑ Minimum vertical distance between countertop and cabinet extending above counter | 457 |
| Ⓒ Minimum clearance from left and right of range to nearest vertical combustible surface | 305 |
| Ⓓ Minimum clearance from cooking surface to: - combustible surface centred above the cooking surface - combustible covering for ventilation hood centred above the cooking surface | 1372 914 |
| - non-combustible surface** centred above the cooking surface | 762 |
| Ⓔ Maximum overall depth of overhead cabinetry | 330 |
| Ⓕ Distance from centre of rear burner to rear of product | 218 |

*IMPORTANT NOTE: For full installation and clearance details please refer to our installation manual.

**Non-combustible surfaces: as defined in 'National Fuel Gas Code' (ANSI Z223.1, Current Edition). Clearances from non-combustible materials are not part of the ANSI Z21.1 scope and are not certified by UL. Clearances of less than 6" (152mm) must be approved by the local codes and/or by the local authority having jurisdiction.

INDICATES CABINETRY CLEARANCES -----

INDICATES PRODUCT DATUM -----

DATE: **14.07.2020**

IMPORTANT: Throughout this guide, dimensions may vary by ±2mm (1/16"). Read the installation guide for detailed information on installing the product. For full installation instructions and specifications visit fisherpaykel.com

0 100 200 400
millimetres

FISHER & PAYKEL

CAVITY PREPARATION 30" Professional Range - Dual Fuel

Model no:
RDV3-304

Specifications

Oven Total Capacity 113L

Electrical

Supply 120/240 VAC, 60Hz

Service 30 amp circuit

Max Current Draw 27 A

Receptacle 4-prong grounding type [NEMA 14-50P plug]

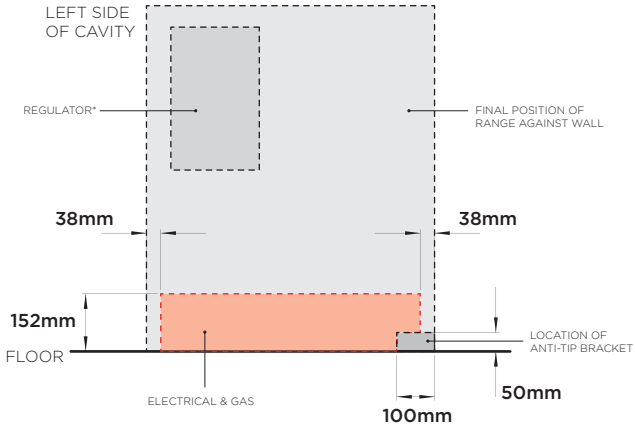
Gas

Types Natural Gas 6" to 9" W.C
LP Propane 11" to 14" W.C

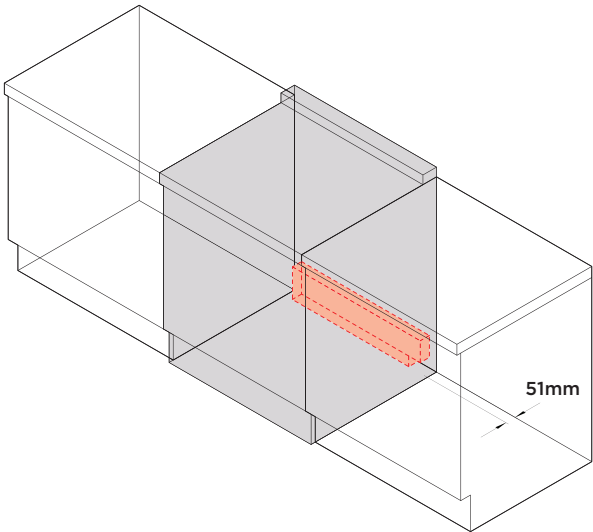
Connection 1/2" NPT Minimum 5/8" dia. flex line

*Regulator location may vary depending on model.

IMPORTANT NOTE: For full installation and connection details please refer to our installation manual.



REAR OF CAVITY



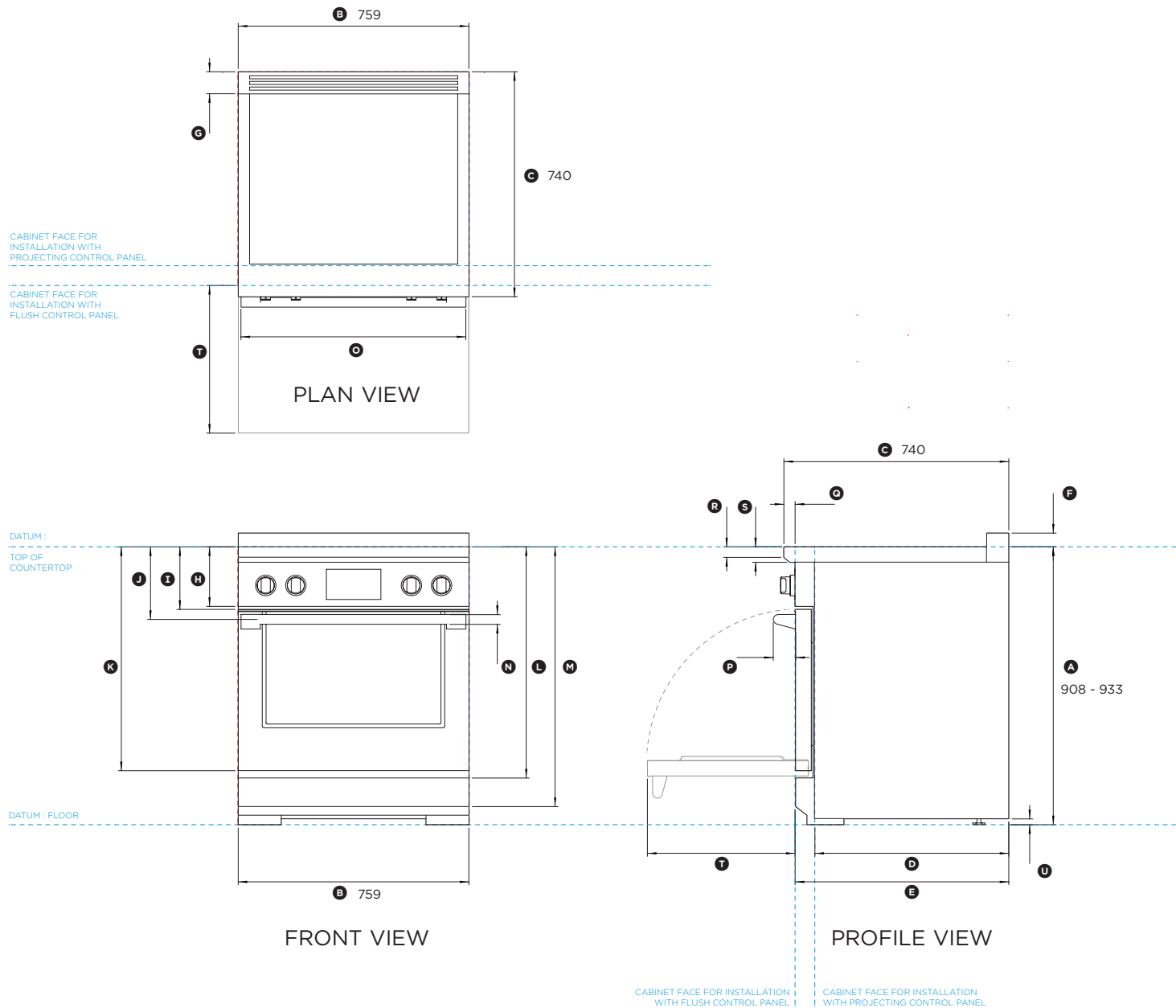
DATE: 14.07.2020

IMPORTANT: Throughout this guide, dimensions may vary by ±2mm (1/16"). Read the installation guide for detailed information on installing the product. For full installation instructions and specifications visit fisherpaykel.com

FISHER & PAYKEL

PRODUCT & CAVITY DIMENSIONS 30" Professional Range - Induction

Model no:
RIV3-304



| Product Dimensions | mm |
|---|--------------------|
| Ⓐ Height of range (from floor to cooktop, excluding grates and rear trim) | min 908 max 933 |
| Ⓑ Overall width of range | 759 |
| Ⓒ Overall depth of range (excluding handle and dials) | 740 |
| Ⓓ Depth from rear of chassis to cabinetry face - projecting | 644 |
| Ⓔ Depth from rear of chassis to cabinetry face - flush | 703 |
| Ⓕ Height of rear trim | 45 |
| Ⓖ Depth of rear trim | 73 |
| Ⓗ Height from countertop to bottom of control panel | 196 |
| Ⓘ Height from countertop to top of door | 206 |
| Ⓛ Height from countertop to centre of handle | 239 |
| Ⓜ Height from countertop to bottom of door | 737 |
| Ⓝ Height from countertop to top of lower panel | 761 |
| Ⓞ Height from countertop to bottom of lower panel | 855 |
| Ⓟ Thickness of handle (not including standoffs) | 32 |
| Ⓠ Width of handle (including standoffs) | 740 |
| Ⓡ Depth of handle (measured from front of door) | 73 |
| Ⓢ Depth of front of cooktop to control panel | 37 |
| Ⓣ Height of cooktop front face | 35 |
| Ⓤ Height from top of cooktop to control panel | 51 |
| Ⓡ Depth of open door to cabinetry face - flush | 486 |
| Ⓚ Adjustable feet height | min 13 max 38 |

| Cavity Dimensions | mm |
|--|------------|
| Overall width of cavity | min 762 |
| Overall depth of cavity for projecting control panel | max 644 |
| Overall depth of cavity for flush control panel | max 703 |
| Overall height of cavity | 908 933 |

IMPORTANT NOTE: For full installation and clearance details please refer to our installation manual.

INDICATES CAVITY CLEARANCES -----
INDICATES PRODUCT DATUM - - - - -

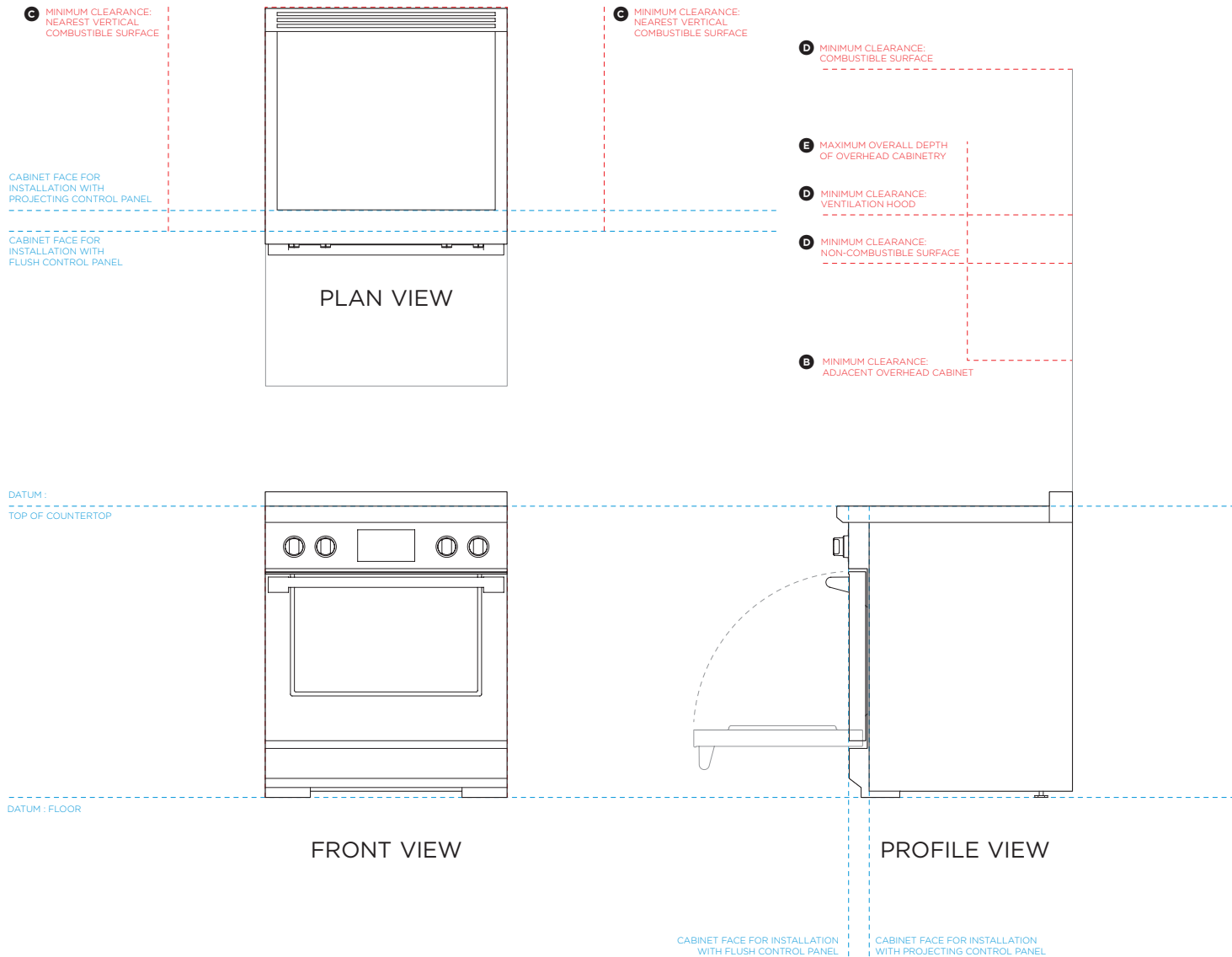
DATE: 14.07.2020

IMPORTANT: Throughout this guide, dimensions may vary by ±2mm (1/16"). Read the installation guide for detailed information on installing the product. For full installation instructions and specifications visit fisherpaykel.com

0 100 200 400
millimetres

FISHER & PAYKEL

CLEARANCE DIMENSIONS 30" Professional Range - Induction



Model no:
RIV3-304

| Clearance Dimensions | mm |
|---|--------------------|
| Ⓐ Minimum width of ventilation hood installed above range - not shown* | 762 |
| Ⓑ Minimum vertical distance between countertop and cabinet extending above counter | 457 |
| Ⓒ Minimum clearance from left and right of range to nearest vertical combustible surface | 305 |
| Ⓓ Minimum clearance from cooking surface to: - combustible surface centred above the cooking surface - combustible covering for ventilation hood centred above the cooking surface - non-combustible surface** centred above the cooking surface | 1372 914 762 |
| Ⓔ Maximum overall depth of overhead cabinetry | 330 |

*IMPORTANT NOTE: For full installation and clearance details please refer to our installation manual.

**Non-combustible surfaces: as defined in 'National Fuel Gas Code' (ANSI Z223.1, Current Edition). Clearances from non-combustible materials are not part of the ANSI Z21.1 scope and are not certified by UL. Clearances of less than 6" (152mm) must be approved by the local codes and/or by the local authority having jurisdiction.

INDICATES CLEARANCES - - - - -
INDICATES PRODUCT DATUM - - - - -

DATE: **14.07.2020**

IMPORTANT: Throughout this guide, dimensions may vary by ±2mm (1/16"). Read the installation guide for detailed information on installing the product. For full installation instructions and specifications visit fisherpaykel.com

0 100 200 400 millimetres

FISHER & PAYKEL

CAVITY PREPARATION 30" Professional Range - Induction

Model no:
RIV3-304

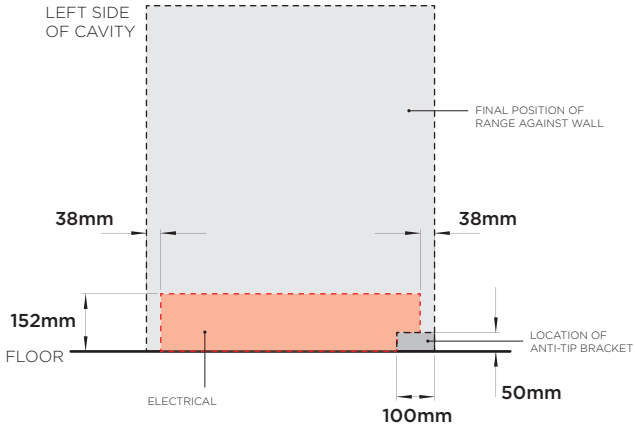
Specifications

Oven Total Capacity 113L

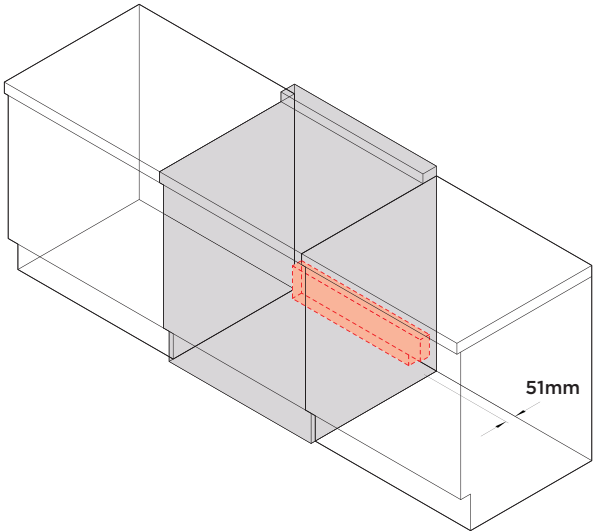
Electrical

Supply 120/240 VAC, 60Hz
 Service 50 amp circuit
 Max Current Draw 57 A
 Receptacle 4-prong grounding type [NEMA 14-50P plug]

IMPORTANT NOTE: For full installation and connection details please refer to our installation manual.



REAR OF CAVITY

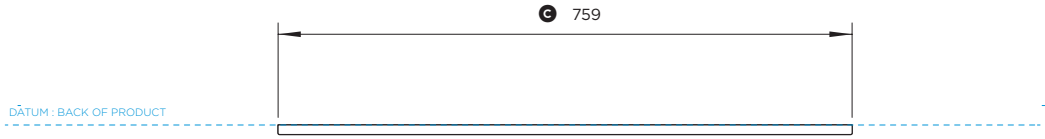
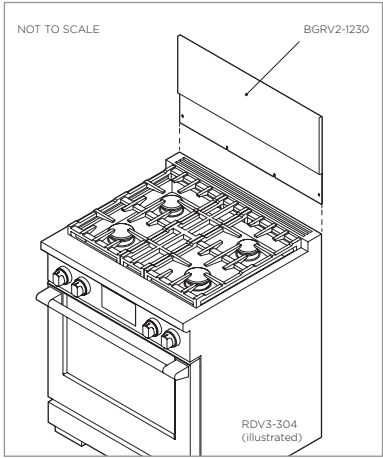


DATE: 14.07.2020

IMPORTANT: Throughout this guide, dimensions may vary by ±2mm (1/16"). Read the installation guide for detailed information on installing the product. For full installation instructions and specifications visit fisherpaykel.com

FISHER & PAYKEL

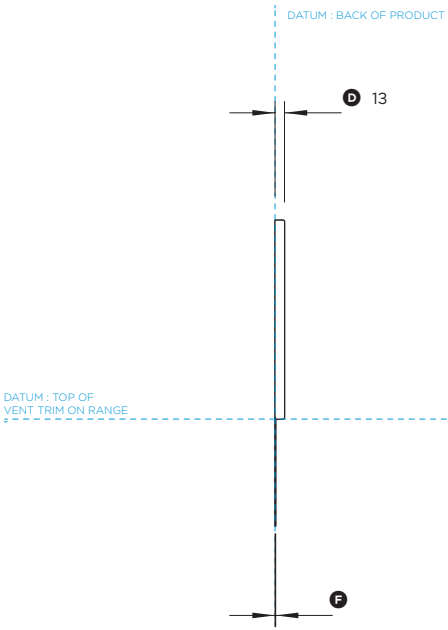
PRODUCT DIMENSIONS 30" Professional Range Backguard



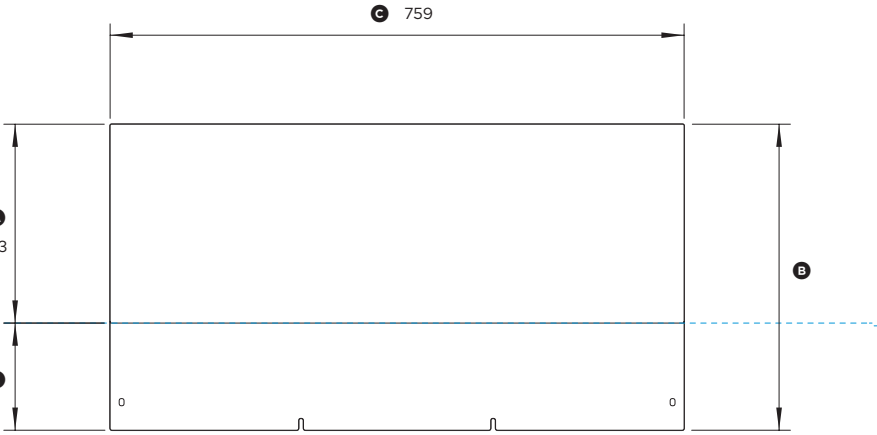
PLAN VIEW

Model no:
BGRV2-1230

| Product Dimensions | mm |
|--|-----|
| Ⓐ Height of backguard above vent trim on range | 263 |
| Ⓑ Overall height of backguard | 405 |
| Ⓒ Overall width of backguard | 759 |
| Ⓓ Overall depth of backguard | 13 |
| Ⓔ Height of backguard below vent trim on range | 142 |
| Ⓕ Depth of backguard below vent trim on range | 1 |



PROFILE VIEW



FRONT VIEW

INDICATES PRODUCT DATUM -----

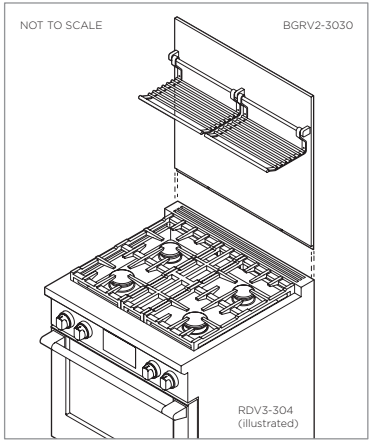


DATE: **14.07.2020**

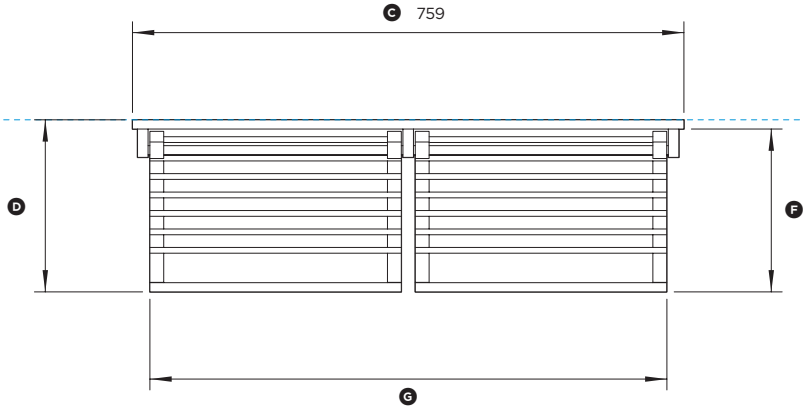
IMPORTANT: Throughout this guide, dimensions may vary by $\pm 2\text{mm}$ (1/16"). Read the installation guide for detailed information on installing the product. For full installation instructions and specifications visit fisherpaykel.com

FISHER & PAYKEL

PRODUCT DIMENSIONS 30" Professional Range Backguard

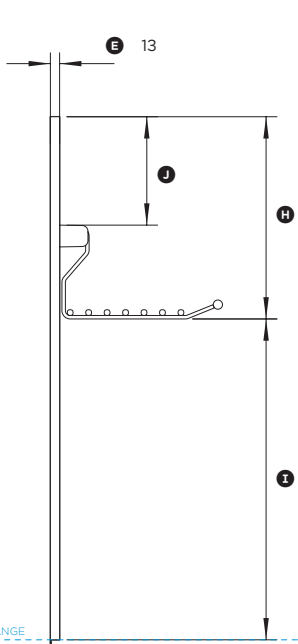


DATUM: BACK OF PRODUCT

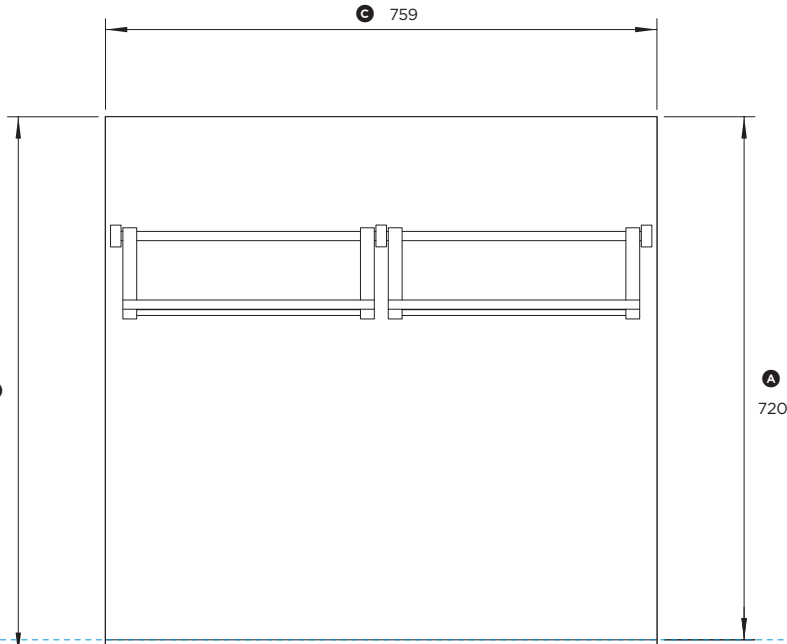


PLAN VIEW

DATUM: BACK OF PRODUCT



PROFILE VIEW



FRONT VIEW

DATUM: TOP OF VENT TRIM ON RANGE



Model no:
BGRV2-3030

| Product Dimensions | mm |
|--|-----|
| Ⓐ Height of backguard above vent trim on range | 720 |
| Ⓑ Overall height of backguard | 740 |
| Ⓒ Overall width of backguard | 759 |
| Ⓓ Overall depth of backguard and racks | 237 |
| Ⓔ Depth of backguard | 13 |
| Ⓕ Depth of racks | 224 |
| Ⓖ Width of racks | 711 |
| Ⓜ Distance from top of backguard to bottom of racks | 278 |
| Ⓝ Distance from bottom of backguard to bottom of racks | 442 |
| Ⓞ Distance from top of backguard to top of brackets | 149 |
| Ⓟ Height of backguard below vent trim on range | 20 |
| Ⓠ Depth of backguard below vent trim on range | 1 |

INDICATES PRODUCT DATUM

DATE: 14.07.2020

IMPORTANT: Throughout this guide, dimensions may vary by ±2mm (1/16"). Read the installation guide for detailed information on installing the product. For full installation instructions and specifications visit fisherpaykel.com

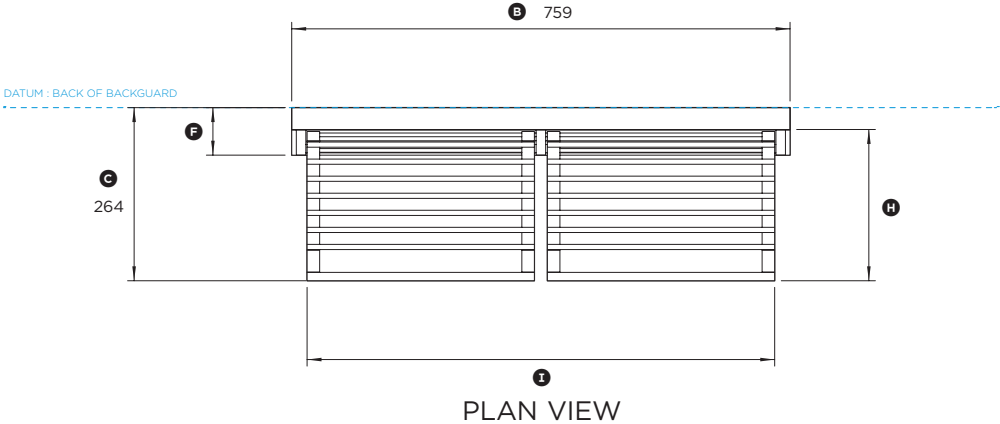
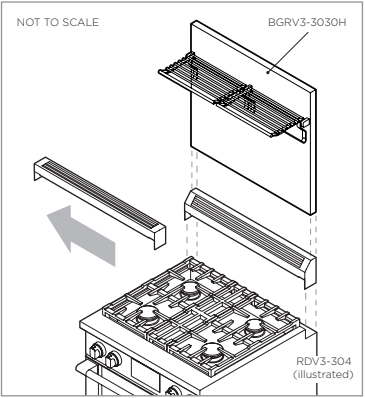
FISHER & PAYKEL

PRODUCT DIMENSIONS 30" Professional Range Backguard with Angled Vent Trim

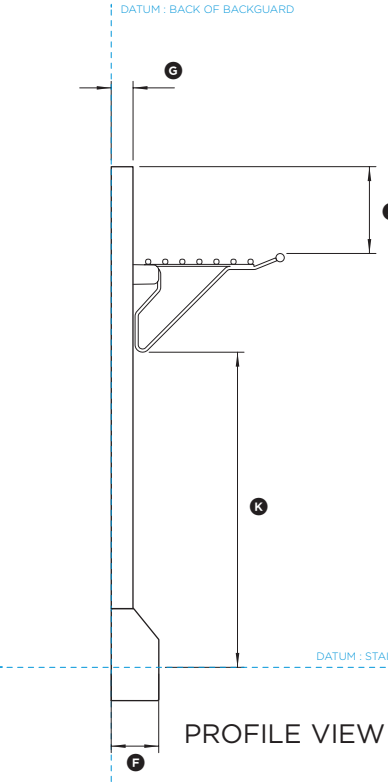
Model no:
BGRV3-3030H

| Product Dimensions | mm |
|---|-----|
| Ⓐ Overall height of backguard with angled vent trim | 763 |
| Ⓑ Overall width of backguard | 759 |
| Ⓒ Overall depth of backguard and racks | 264 |
| Ⓓ Height of backguard | 673 |
| Ⓔ Height of angled vent trim | 90 |
| Ⓕ Depth of angled vent trim | 72 |
| Ⓖ Depth of backguard | 33 |
| Ⓜ Depth of racks | 230 |
| Ⓨ Width of racks | 712 |
| Ⓣ Distance from top of backguard to top of racks | 136 |
| Ⓦ Distance from bottom of angled vent trim to bottom of racks | 480 |

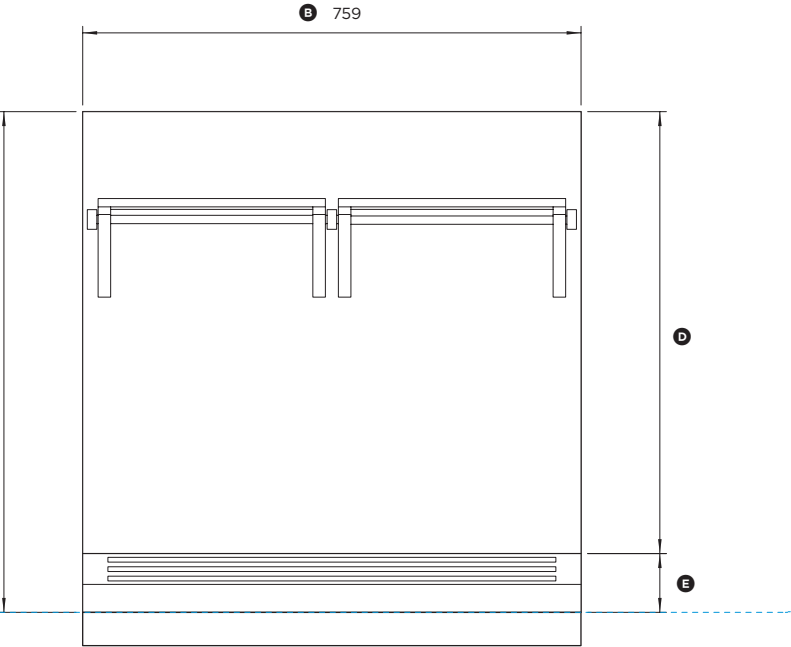
Note: Angled vent trim supplied with BGRV3-3030H.
Remove flat vent trim and replace with angled vent trim.



PLAN VIEW



PROFILE VIEW



FRONT VIEW



INDICATES PRODUCT DATUM -----

DATE: 14.07.2020

IMPORTANT: Throughout this guide, dimensions may vary by ±2mm (1/16").
Read the installation guide for detailed information on installing the product.
For full installation instructions and specifications visit fisherpaykel.com

IMPORTANT: The product dimensions and specifications apply at the date of issue. Under our policy of continuous product improvement, these dimensions and specifications may change at any time. Dimensions may vary by $\pm 2\text{mm}$ (1/16"). Please read the installation guide for detailed information on installing the product or visit fisherpaykel.com.

July 2020