

**FISHER & PAYKEL**

**COMBINATION STEAM OVEN**



OS30NPTX1 models

**INSTALLATION GUIDE**

**US CA**

**⚠ WARNING!**



**Electric Shock Hazard**

**Failure to follow this advice may result in electric shock or death.**

- Before carrying out any work on the electrical section of the appliance, it must be disconnected from the mains electricity supply.
- Connection to a good earth wiring system is absolutely essential and mandatory.
- Alterations to the domestic wiring system must only be made by a qualified electrician.

**⚠ WARNING!**



**Fire Hazard**

**Failure to follow this advice may result in overheating, burning, and injury.**

- Do not use adapters, reducers, or branching devices to connect this appliance to the mains power supply.

**⚠ WARNING!**



**Cut Hazard**

**Failure to use caution could result in injury.**

- Take care: some edges are sharp.

## SAFETY AND WARNINGS

---

### READ AND SAVE THIS GUIDE

#### **WARNING!**

To avoid hazard, follow these instructions carefully before installing or using this appliance.

- Please make this information available to the person installing the appliance—doing so could reduce your installation costs.
- This appliance must be installed and connected to the mains power supply only by a suitably qualified person according to these installation instructions and in compliance with any applicable local building and electricity regulations. Failure to install the appliance correctly could invalidate any warranty or liability claims.
- If the power supply cable is damaged, it must be replaced by the manufacturer, its service agent or similarly qualified person in order to avoid a hazard.
- Isolating switch: make sure this oven is connected to a circuit which incorporates an isolating switch providing full disconnection from the power supply in accordance with the wiring rules.
- The oven must be earthed.
- Do not use adaptors, reducers or branching devices to connect the oven to the mains electricity supply, as they can cause overheating and burning.
- The appliance must not be installed behind a decorative door in order to avoid overheating.
- Please take extra care not to damage the lower trim of the oven during installation. The trim is important for correct air circulation and allows the door to open and close without obstruction. The manufacturer does not accept any responsibility for damage resulting from incorrect installation.

---

### SAVE THESE INSTRUCTIONS

The models shown in this installation guide may not be available in all markets and are subject to change at any time. For current details about model and specification availability in your country, please go to our website [www.fisherpaykel.com](http://www.fisherpaykel.com) or contact your local Fisher & Paykel dealer.

## COMPONENTS REQUIRED

---

---

### TOOLS

#### Not supplied

- Powered driver
- Cross-head screwdriver

---

### PARTS

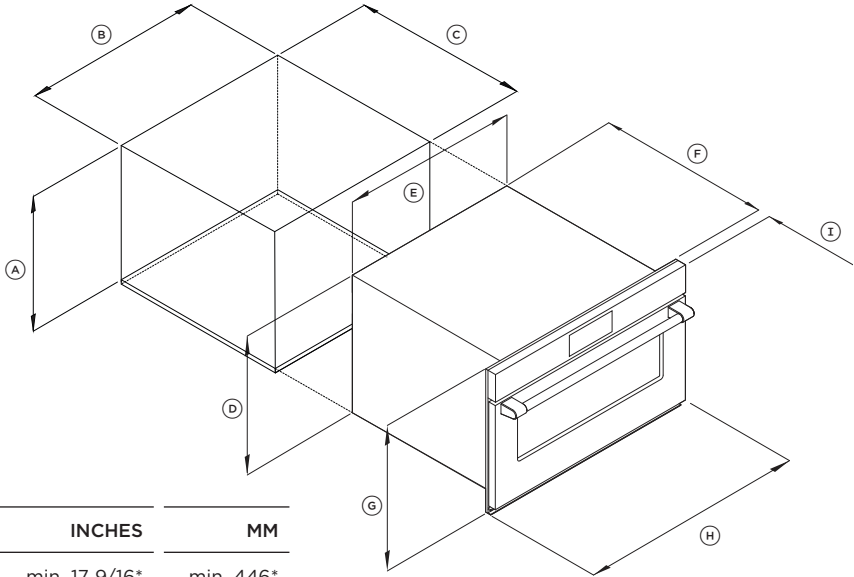
#### Supplied

- Cabinetry trim (optional)
- 2x Phillips screws
- 1/4" (6mm) Spacer Kit
  - 6x Phillips screws
  - 1x Front spacer
  - 2x Side spacer

## ACCESSING YOUR PRODUCT SPECIFICATIONS



For full product, cabinetry and service specifications, refer to the Planning Guide. To access the Planning Guide, scan the QR code or visit [fisherpaykel.com/specify](http://fisherpaykel.com/specify). Search by appliance type, product name or model code.



	INCHES	MM
Ⓐ	min. 17 9/16*	min. 446*
Ⓑ	min. 28 1/2	min. 724
Ⓒ	min. 21 5/8	min. 550
Ⓓ	17 1/8	435
Ⓔ	28 3/8	720
Ⓕ	21 7/16	545
Ⓖ	18	458
Ⓗ	29 13/16	757
Ⓘ	1 3/16	30

\*A 1/4" (6mm) panel spacer is required in the base of the cavity.

## PRIOR TO INSTALLATION

---

Ensure that:

- the oven cavity is square and level based on the required dimensions
- the installation will comply with all clearance requirements and applicable standards and regulations
- the isolating switch will be easily accessible to the customer with the oven installed
- the cable may enter the cavity from the side, top or bottom, but top entry must be at the rear of the cavity
- the oven connection socket is outside the cavity if the oven is flush to the rear wall
- the oven will rest on a surface that can support its weight
- the height from the floor suits the customer
- you consult local building authorities and by-laws if in doubt regarding installation

### **IMPORTANT!**

**Some environmental factors and cooking habits can cause condensation in and around the oven during use. To protect surrounding cabinetry from possible damage caused by frequent or excessive condensation, we recommend moisture-proofing the oven cavity.**

## SERVICES

---

- This oven must be connected to the mains power supply only by a suitably qualified person.
- This oven must be earthed.

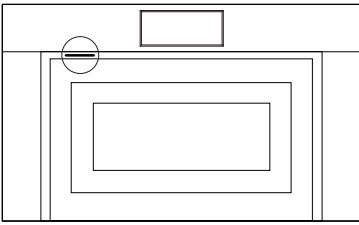
**Before connecting the oven to the mains power supply, check that:**

the domestic wiring system is suitable for the power drawn by the oven (as specified on the rating plate).

the voltage corresponds to the value given on the rating plate.

MODEL CODE	MAX POWER (KW)	HZ	VOLTAGE (V)
OS30 Models	3.2-4.2	60	120/240

### Rating plate location



## CHECK CAVITY

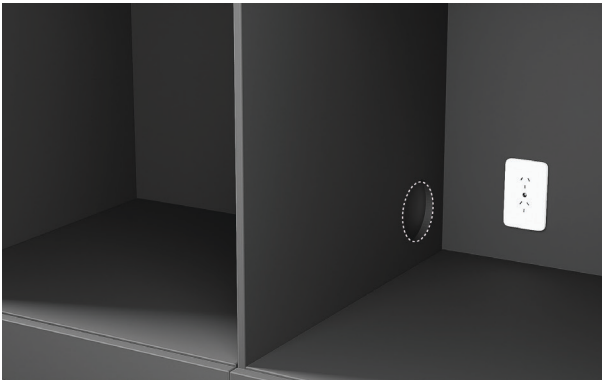
---



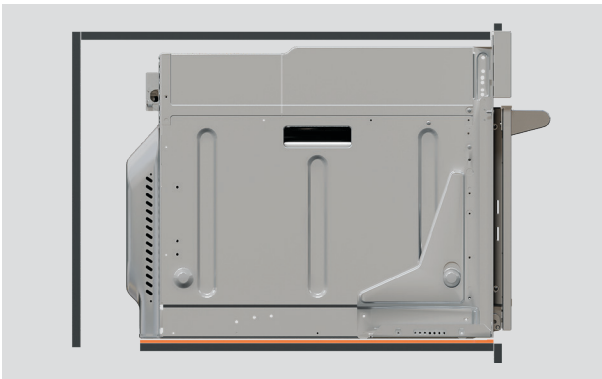
[fisherpaykel.com/specify](https://fisherpaykel.com/specify)

**1. Measure cavity dimensions.**  
Ensure all minimum specifications have been met. Refer to the planning guide for details.

For dark cabinetry, ensure clashing has been considered and installed.



**2. Ensure service access**  
complies with local requirements.



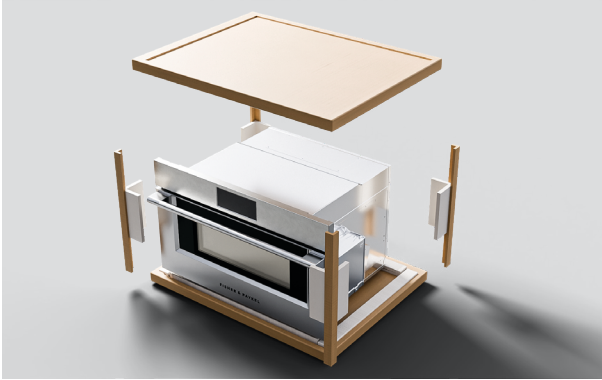
**3. If required, ensure**  
any cooktop ventilation requirements have been considered.



## UNPACK PRODUCT

---

- Do not lift or move the product using the door handle.
- Keep all packing materials until the unit has been inspected.
- Inspect the product to ensure there is no shipping damage. If any damage is detected contact the dealer or retailer you brought the product from to report the damage.
- Fisher & Paykel is not responsible for shipping damage.



**1.** Cut all straps and remove the carton top cap. Lift the carton sleeve and remove any transit packaging. Set aside any accessories.

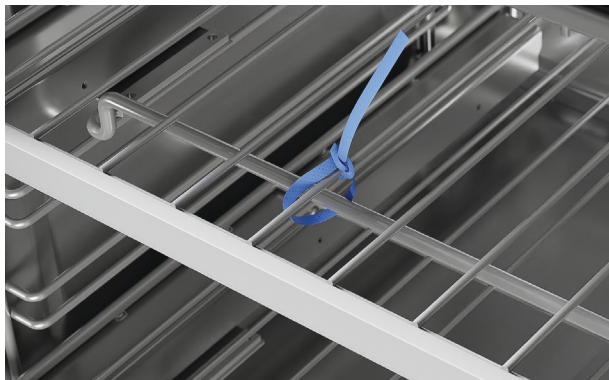


**2.** Remove all control panel packaging. The control panel can be moved manually as needed. Take care when handling.

Dispose of packaging responsibly.

## REMOVE DOOR

---



1. Open the door and remove all cable ties and packaging holding the oven shelves in place.



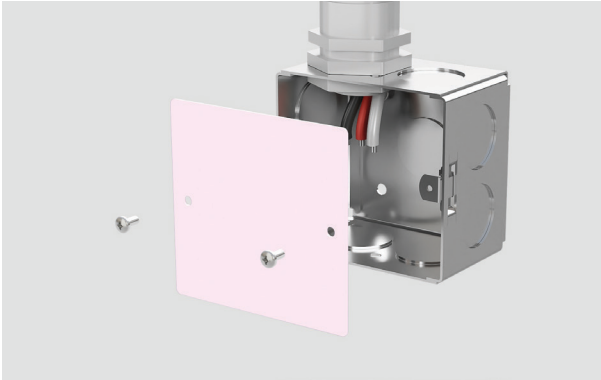
2. Grip the shelves at the front, making sure to hold the wire shelf and frame together. Lift upwards and pull out from the oven.



3. Locate the hinge locks on either side of the door. Push the locks upwards to release. Holding the door on both sides, partially close the door and carefully pull the door away from the hinges.

## CONNECT POWER

### THREE WIRE CONNECTION



1. Disconnect the power supply and remove the junction box cover.

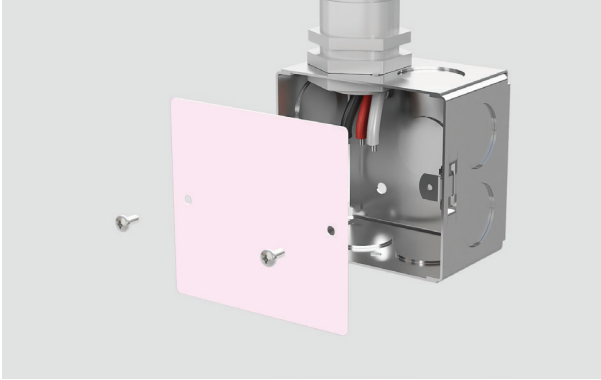


2. Connect the oven cable to the junction box through the U.L.-listed conduit connector.



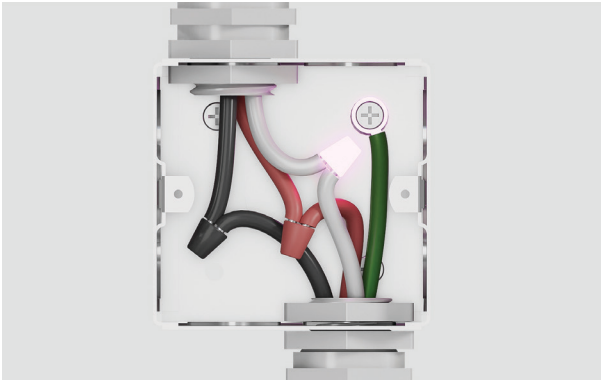
3. Connect the two black wires together with twist-on connectors and the two red wires together with twist-on connectors.

## CONNECT POWER

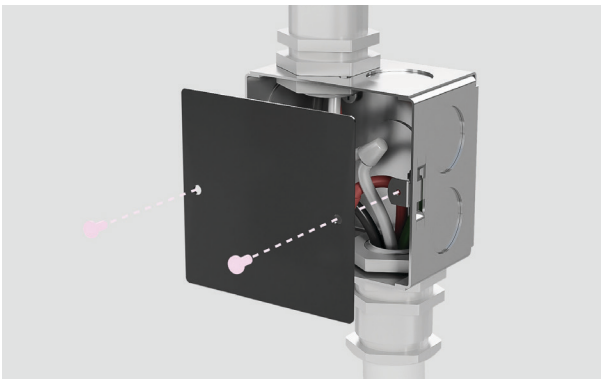


4. Connect electrical connection according to local codes and ordinances.

If local codes **DO NOT PERMIT** connecting the cabinet-grounding conductor to the neutral (white) wire in junction box.



5. Separate the factory-taped green and white oven cable wires. If junction box is grounded, connect the green wire to the metal junction box with a screw before connecting the white oven cable wire to the neutral (white) wire in junction box.

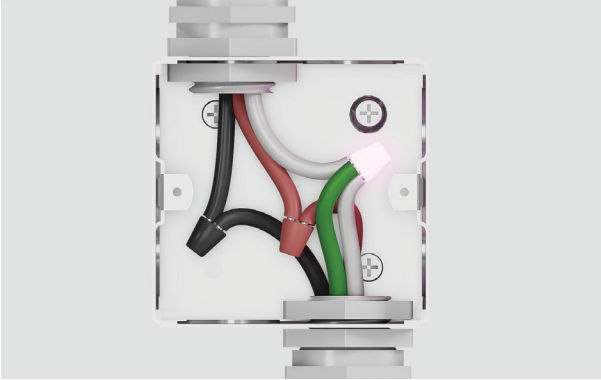


6. Replace the junction box cover.

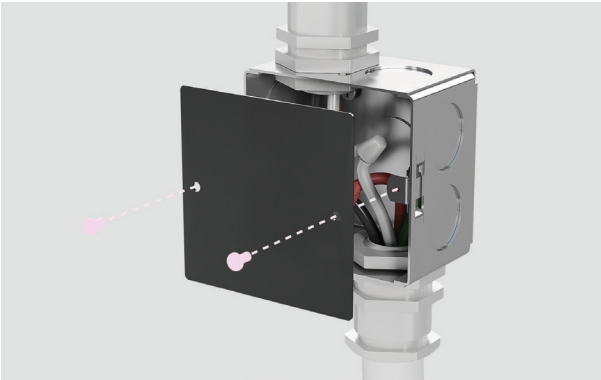
## CONNECT POWER

---

If local codes permit connecting the cabinet-grounding conductor to the neutral (white) wire in junction box.



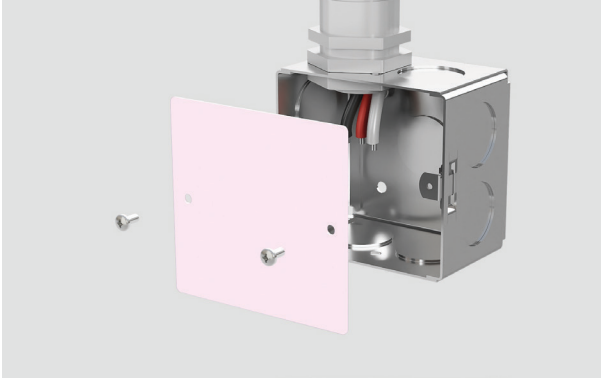
**5.** Connect the factory-taped green and white oven wires to the neutral (white) wire in the junction box.



**6.** Replace the junction box cover.

## CONNECT POWER

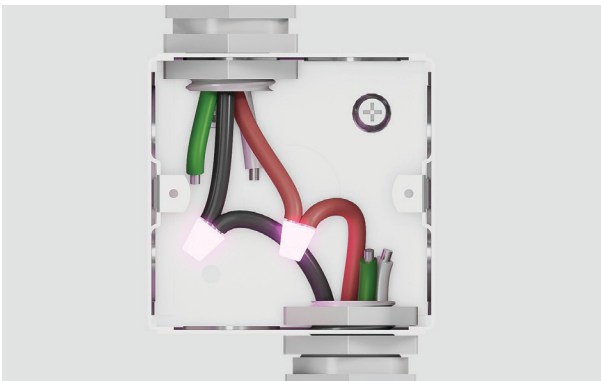
### FOUR WIRE CONNECTION



1. Disconnect the power supply and remove the junction box cover.



2. Connect the oven cable to the junction box through the U.L.-listed conduit connector.



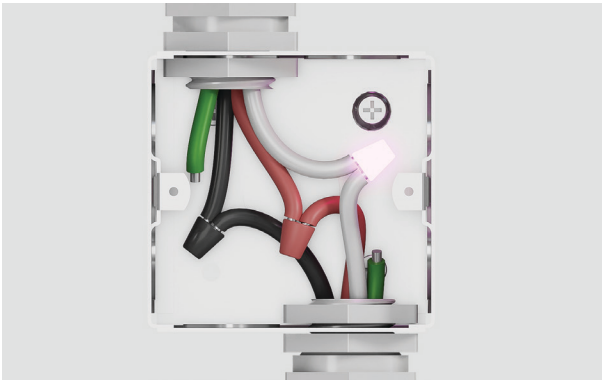
3. Connect the two black wires together with twist-on connectors and the two red wires together with twist-on connectors.

## CONNECT POWER

---



4. Connect electrical connection according to local codes and ordinances.

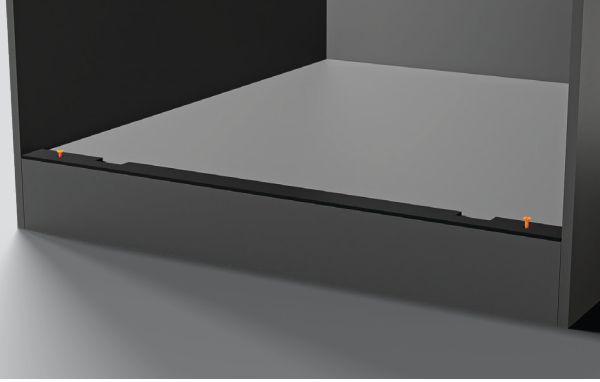


5. Separate the green and white oven cable wires. Connect the white oven cable wire to the neutral (white) wire in junction box.

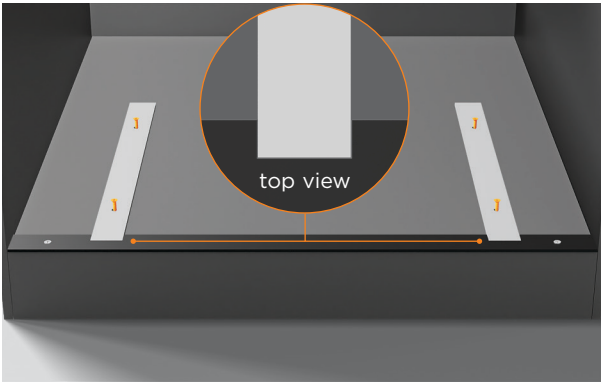


6. Connect the green grounding oven cable wire to the (green) grounding wire in the junction box. Do not connect the green grounding wire to the neutral (white) wire in junction box. Replace the junction box cover.

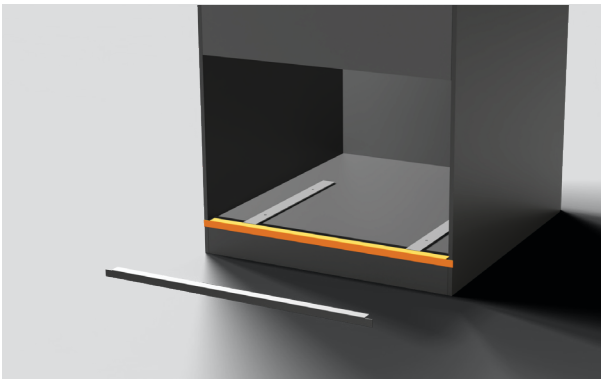
## POSITION OVEN IN CAVITY



**1.** Center the black spacer in the cavity, aligning the flat edge flush to the front of the cabinet. Secure using the two supplied Phillips Screws.



**2.** Slot the two side spacers into place. Ensure spacers are evenly spaced at the front and rear of the cavity. Secure using two supplied Phillips screws each side.



### **3. Optional**

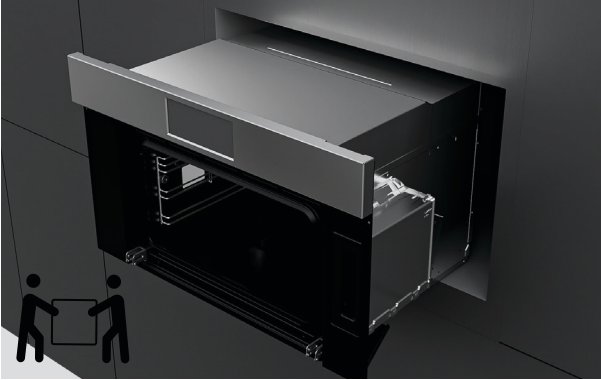
The supplied trim can be used to enhance clashing finish.

To install, remove the trim adhesive and press to secure to cavity. This trim must be fitted over the spacer.



## POSITION IN CAVITY

---

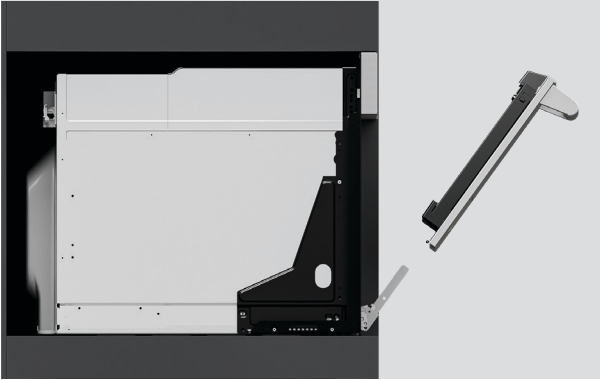


1. Ensure water tank is locked in place. Lift product into cavity taking care not to lift from the control panel.

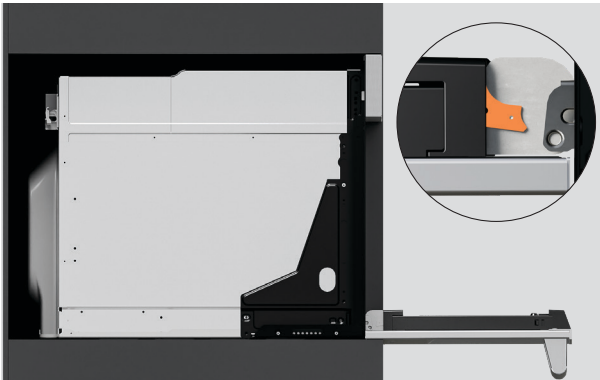


4. Align oven with surrounding cabinetry and appliances.

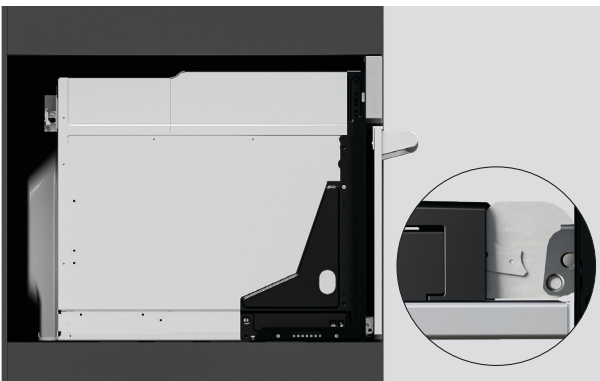
## REFIT DOOR



1. Holding the door on both sides, carefully lift door back onto the hinges



2. Open the door fully and push each locking lever down and lock into place.



3. Ensure both hinges are fully locked before shutting the door.

## ALIGN AND SECURE

---



1. Align oven with surrounding cabinetry and appliances.



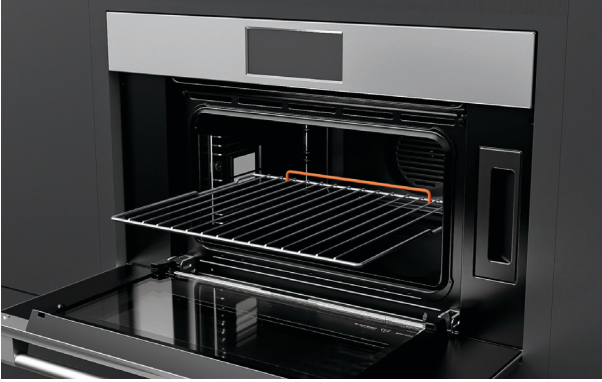
2. Using the product as a guide, pre-drill 2 x 3mm pilot holes.



3. Secure oven to cavity using the 2 x #8x22 pan head screws provided.

## REFIT SHELVES

---



### **Wire shelves**

Slide shelves into the cavity.

## ALIGN AND SECURE

---



1. Follow the guidance on screen to ensure oven turns on and heats correctly. Refer to your User Guide for more information.

## INSTALLER CHECKLIST

---

### TO BE COMPLETED BY THE INSTALLER

- Ensure the oven is level and securely fitted to the cabinetry.
- Open the oven door slowly until it is fully open and check there is adequate clearance between the bottom of the door and the lower trim.  
This is to ensure correct air circulation. Should the lower trim become damaged, straighten the trim and ensure the oven door opens fully without obstruction.
- Ensure all internal packaging (including the circular yellow packing retainers holding the accessory box in place) is removed.
- Ensure all oven vents and openings are clear and free of any obstruction or damage.  
**Failure to make sure all oven vents are clear may result in poor product performance.**
- Ensure the isolating switch is accessible by the customer.

### Complete and keep for safe reference:

Model \_\_\_\_\_

Serial no. \_\_\_\_\_

Purchase date \_\_\_\_\_

Purchaser \_\_\_\_\_

Dealer address \_\_\_\_\_

Installer's name \_\_\_\_\_

Installer's signature \_\_\_\_\_

Installation company \_\_\_\_\_

Installation date \_\_\_\_\_



**FISHERPAYKEL.COM**

© Fisher & Paykel Appliances 2024. All rights reserved.

The models shown in this guide may not be available in all markets and are subject to change at any time.

The product specifications in this guide apply to the specific products and models described at the date of issue. Under our policy of continuous product improvement, these specifications may change at any time.

For current details about model and specification availability in your country, please go to our website or contact your local Fisher & Paykel dealer.

**432691A 10.24**