

F I S H E R & P A Y K E L

I N S E R T R A N G E H O O D

HPB3011-4, HPB3011-6, HPB3019-6, HPB3611-4, HPB3611-6,
HPB3619-6, HPB3619-12 & HPB4819-12 models

I N S T A L L A T I O N G U I D E

U S C A

105305E 04.24

1 SAFETY AND WARNINGS

! WARNING!



Weight Hazard

The appliance is heavy. Please ensure adequate care is taken when installing the appliance to prevent personal injury.

Weight of the products are:

HPB3011-4 = 36lb (17kg)
 HPB3011-6 = 36lb (17kg)
 HPB3019-6 = 46lb (21kg)
 HPB3611-4 = 41lb (19kg)
 HPB3611-6 = 41lb (19kg)
 HPB3619-6 = 51lb (23kg)
 HPB3619-12 = 68lb (31kg)
 HPB4819-12 = 77lb (35kg)

! WARNING!



Electric Shock Hazard

Always disconnect the appliance from the mains power supply before carrying out any maintenance or repairs.

Installation work and electrical wiring must be done by qualified person(s) in accordance with all applicable codes and standards, including fire-rated construction. Failure to do so can result in death, electric shock, fire or injury to persons.

IMPORTANT!

READ THE ENTIRE SET OF INSTRUCTIONS BEFORE INSTALLING OR USING THIS APPLIANCE. Refer to the User guide for more details on safety and warnings. A copy of the installation instruction and user guide for this product can also be found at fisherpaykel.com.

WARNING!

For residential use only.

- Use only metal ductwork to reduce the risk of fire.
- Do not use flexible ducting.

CAUTION!

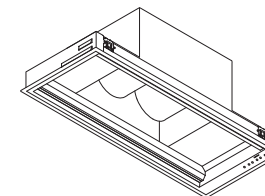
Ensure to duct air outside to reduce the risk of fire and to properly exhaust air. Do not vent exhaust air into spaces within the walls or ceilings or into attics, crawl spaces, or garages.

2 PRODUCT INFORMATION

- Please read this manual carefully, and keep it after installation for future reference.
- Keep all packing materials (box, pallet, straps) until the unit has been inspected.
- Inspect the product to check there is no shipping damage. If any damage is detected contact the dealer or retailer you bought the product from to report the damage.
- Fisher & Paykel is not responsible for shipping damage.



User guide and
Installation guide

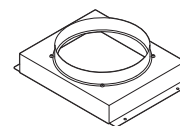


Range hood



Filters

- HPB30 (2)
- HPB36 (3)
- HPB48 (4)



Duct adaptor including 5/16" (8mm) T20 drive screws (4) (selected models)

- HPB3619-12, HPB4819-12, have 10" (254mm) outlet



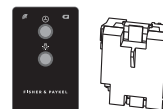
Adaptor ring including 5/16" (8mm) T20 drive screws (4)

- HPB3011-4/6, HPB3019-6, HPB3611-4/6 and HPB3619-6 have 8" (203mm) outlet.

Other required materials and tools:

- Metal ducting
- Aluminum tape (DO NOT use duct tape)
- T20 head screw driver
- 1/2" (12.7mm) cULus approved strain relief
- 1/2" (12.7mm) cULus approved wiring conduit and connectors
- cULus listed wire nuts
- Back draft damper(s) if desired

Optional accessories



Remote control kit – Remote control (1),
Wireless receiver (1)

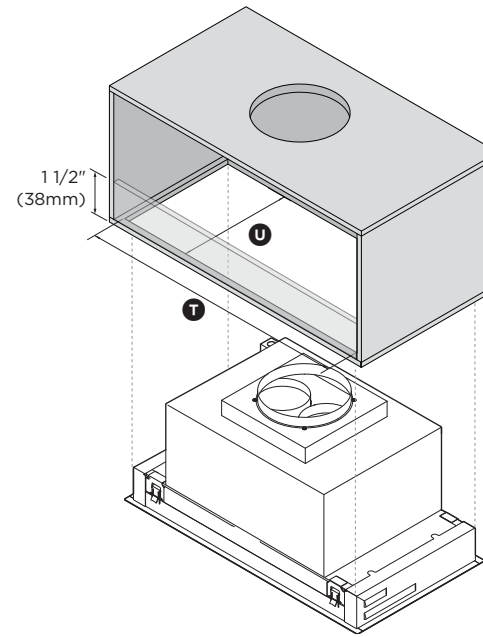
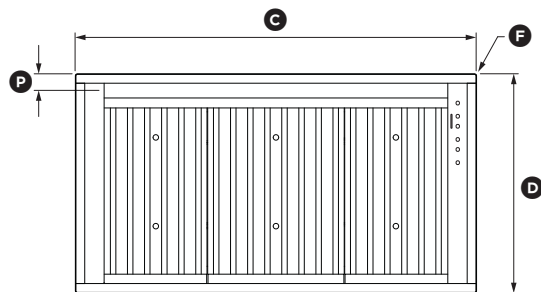
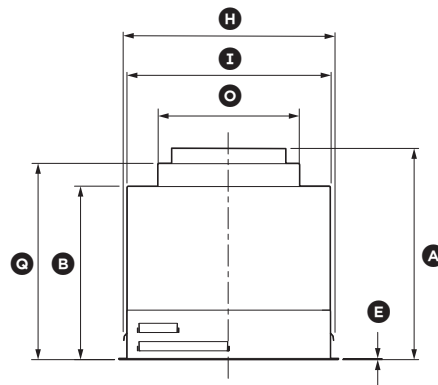
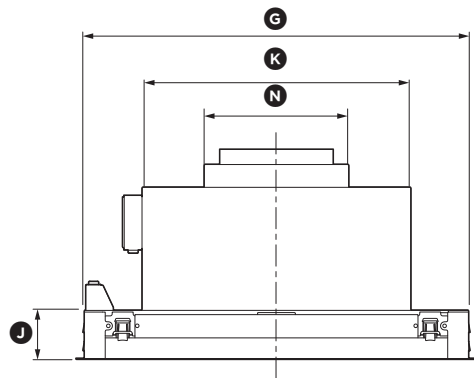
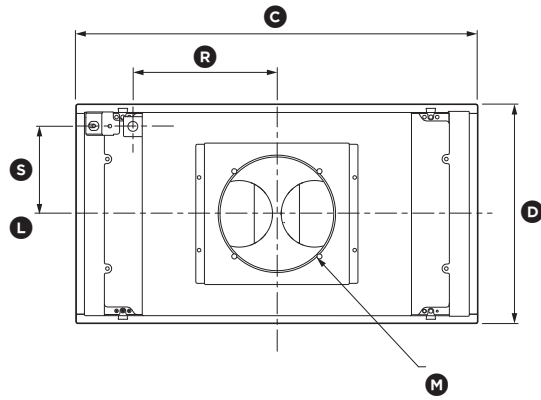
IMPORTANT!

SAVE THESE INSTRUCTIONS

The models shown in this installation guide may not be available in all markets and are subject to change at any time. For current details about model and specification availability in your country, please go to our website fisherpaykel.com or contact your local Fisher & Paykel dealer.

3 PRODUCT AND CABINETRY CUT-OUT DIMENSIONS

HPB3011-4, HPB3011-6, HPB3019-6, HPB3611-6, HPB3619-6, HPB3619-12 and HPB4819-12 models



Refer to page 4 for details on 'Cabinet mounting installation'

③ PRODUCT AND CABINETY CUT-OUT DIMENSIONS

	HPB3011-4 HPB3011-6	HPB3019-6	HPB3611-4 HPB3611-6	HPB3619-6	HPB3619-12	HPB4819-12
PRODUCT DIMENSIONS	inches (mm)	inches (mm)	inches (mm)	inches (mm)	inches (mm)	inches (mm)
Ⓐ Overall height of product	16 1/4 (412)	16 1/4 (412)	16 1/4 (412)	16 1/4 (412)	18 3/16 (462)	18 3/16 (462)
Ⓑ Overall height of product (excluding duct adaptor)	15 (381)	15 (381)	15 (381)	15 (381)	15 (381)	15 (381)
Ⓒ Overall width of product	28 3/4 (730)	28 3/4 (730)	34 5/8 (880)	34 5/8 (880)	34 5/8 (880)	46 7/16 (1180)
Ⓓ Overall depth of product	11 (280)	18 7/8 (480)	11 (280)	18 7/8 (480)	18 7/8 (480)	18 7/8 (480)
Ⓔ Thickness of flange	1/16 (2.5)	1/16 (2.5)	1/16 (2.5)	1/16 (2.5)	1/16 (2.5)	1/16 (2.5)
Ⓕ Corner radius of flange	1/8 (3.5)	1/8 (3.5)	1/8 (3.5)	1/8 (3.5)	1/8 (3.5)	1/8 (3.5)
Ⓖ Width of chassis including louvres	27 9/16 (700)	27 9/16 (700)	33 7/16 (850)	33 7/16 (850)	33 7/16 (850)	45 1/4 (1150)
Ⓗ Depth of chasis including mounting feet	10 3/8 (264)	18 1/4 (463)	10 3/8 (264)	18 1/4 (463)	18 1/4 (463)	18 1/4 (463)
Ⓘ Depth of chassis excluding mounting feet	9 15/16 (252)	17 13/16 (452)	9 15/16 (252)	17 13/16 (452)	17 13/16 (452)	17 13/16 (452)
Ⓙ Height of side of chassis	4 3/8 (111)	4 3/8 (111)	4 3/8 (111)	4 3/8 (111)	4 3/8 (111)	4 3/8 (111)
Ⓚ Width of blower housing	13 (330)	13 (330)	13 (330)	13 (330)	23 1/4 (590)	23 1/4 (590)
Ⓛ Offset of duct adaptor — forward of center	3/8 (10)	7/8 (23)	3/8 (10)	7/8 (23)	0 (0)	0 (0)
Ⓜ Outside diameter of ducting outlet	8 1/4 (210)	8 1/4 (210)	8 1/4 (210)	8 1/4 (210)	9 13/16 (250)	9 13/16 (250)
Ⓝ Width of duct adaptor	N/A	N/A	N/A	N/A	12 3/16 (310)	12 3/16 (310)
Ⓞ Depth of duct adaptor	N/A	N/A	N/A	N/A	12 1/2 (318)	12 1/2 (318)
Ⓟ Distance from center of light to front of product	1 3/8 (35.5)	1 3/8 (35.5)	1 3/8 (35.5)	1 3/8 (35.5)	1 3/8 (35.5)	1 3/8 (35.5)
Ⓠ Height to top surface of duct adaptor	N/A	N/A	N/A	N/A	16 7/8 (428)	16 7/8 (428)
Ⓡ Offset of junction box knockout from center	7 5/16 (186)	7 5/16 (186)	7 5/16 (186)	7 5/16 (186)	12 7/16 (316)	12 7/16 (316)
Ⓢ Offset of junction box knockout from center	3 5/8 (92)	7 9/16 (192)	3 5/8 (92)	7 9/16 (192)	7 9/16 (192)	7 9/16 (192)
CABINETY CUT-OUT DIMENSIONS						
Ⓣ Overall width of cutout	27 3/4 (705)	27 3/4 (705)	33 11/16 (855)	33 11/16 (855)	33 11/16 (855)	45 1/2 (1155)
Ⓤ Overall depth of cutout	10 1/16 (255)	17 15/16 (455)	10 1/16 (255)	17 15/16 (455)	17 15/16 (455)	17 15/16 (455)
Thickness of cabinetry surface	Min 5/8 (16) Max 1 1/2 (38)	Min 5/8 (16) Max 1 1/2 (38)	Min 5/8 (16) Max 1 1/2 (38)	Min 5/8 (16) Max 1 1/2 (38)	Min 5/8 (16) Max 1 1/2 (38)	Min 5/8 (16) Max 1 1/2 (38)

Note:
 For the larger models we recommend reinforcing your cabinetry. Please ensure that any reinforcing does not prevent access for servicing.
 For optional recessed installation refer to product dimensions for reference.
 Cabinetry cut-out dimensions must be within +/- 1/32" (1mm).

IMPORTANT!

- Actual product dimensions may vary by ± 1/16" (2mm).
- Please read the entire instructions before installing the range hood.

4 INSTALLATION PREPARATION

IMPORTANT

The HPB3011-4, HPB3011-6, HPB3611-4 and HPB3611-6 models are not suitable for use with a high powered professional style cooktops.

Range hood width

- The range hood width is recommended to be no less than the width of the cooktop.
- A wider range hood can be used to increase the capture area if space is not restricted.
- The range hood should ideally be centered above the cooktop for proper performance.

WARNING!

To reduce the risk of fire, use only metal ductwork. Do not use flexible ducting

Installation location—Ducting preparation

The range hood is suspended under the cabinetry. The ducting can be configured for both vertical and horizontal discharge. The ducting can terminate either through the roof or wall, to vent through the wall a 90° elbow is needed.

Optional extras

All optional extras must be installed prior to the range hood being installed.

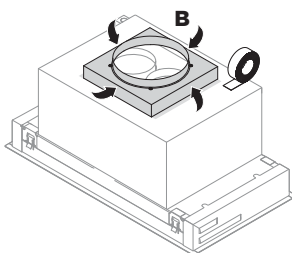
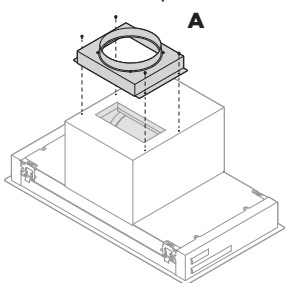
Duct adaptor

A 8" (203mm) or 10" (254mm) round duct adaptor is supplied to mount to the top of the range hood to provide a single outlet. This should be installed before the range hood is mounted.

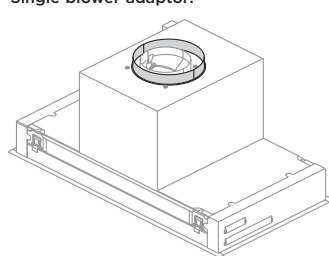
Duct adaptor assembly

- Place the duct adaptor over the range hood exhaust and secure with four 5/16" (8mm) screws provided (refer to **A**).
- Seal the connection between duct adaptor and range hood with aluminum tape (refer to **B**). Note: Double blower models have a adaptor ring as shown below. The assembly steps are the same as above.

Double blower adaptor:



Single blower adaptor:



Range hood height

INSTALLATION DIMENSIONS

(A) Top of cooking surface to base of the range hood

inches (mm)

Min 30 (762)
Max recommended 42 (1067)

The installation height ranges from a minimum height of 30" (762mm) to a maximum recommended height of 42" (1067mm). Consult the cooktop Installation and User guide for details of the required installation height of the range hood.

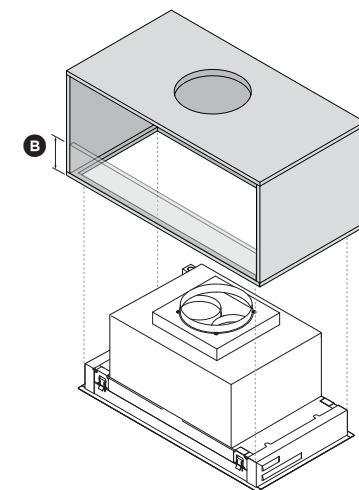
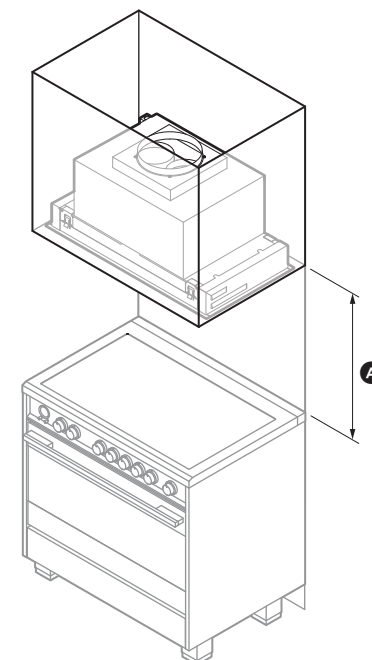
This range hood must be installed no lower than the minimum height indicated in the table above. Minimum installation height may be greater if required by the cooktop manufacturer. Installation at the minimum height will improve the efficiency of capturing cooking odors, grease and smoke. Installation at the maximum recommended height improves user ergonomics by offering increased head room.

IMPORTANT

- Always switch your range hood on when you are cooking.
- Using a powerful gas cooktop or multiple gas burners operating at the same time can cause the range hood surfaces to become hot, this effect can be reduced by:
 - Using the maximum speed setting to enable hot air to be extracted quickly.
 - Installing the range hood at the maximum recommended height. Consult the cooktop Installation and User guide for details on the installation height of the range hood.

Cabinet mounting installation

- The cabinet must be of sufficient strength and structurally joined to the wall studs to support the weight of this range hood.
- If support beams are added to cabinetry these must not be more than 1 1/2" (38mm) (B) high from the underside of the cabinet. Beams that are higher will prevent access for servicing.
- The range hood must be installed into an opening on the underside of the cabinet.
- Cabinet opening dimensions that are shown must be used, see 'Product and cabinetry cut-out dimensions' section. Given dimensions provide minimum clearance.
- We recommend the cupboard has a door or service panel that can be easily opened to access the power connection.



4 INSTALLATION PREPARATION

Electrical requirements

WARNING!

- **Electrical wiring must be done by qualified person(s) in accordance with all applicable codes and standards.**
- **This unit must be grounded/earthed.**
- This range hood must be connected with copper wire only.
- A 120 volt, 60Hz AC-only electrical supply is required on a dedicated 15A branch circuit. A time-delay fuse or circuit breaker is recommended.
- Wire sizes must conform to the requirements of the National Electrical Code, ANSI/NFPA 70-latest edition, and all local codes and ordinances.
- Wire size and connections must conform to the rating of this appliance.
- This appliance should be connected directly to the fuse disconnect (or circuit breaker) through flexible, armored or non-metallic sheathed copper cable. Allow some slack in the cable so the appliance can be moved if servicing is required.
- A cULus listed strain relief or 1/2" (12.7mm) conduit connector must be provided at each end of the power supply cable (at the appliance and at the junction box).

WARNING!

- **To reduce the risk of fire or electric shock, do not use this fan with any solid-state speed control device.**

Make-up air (not included)

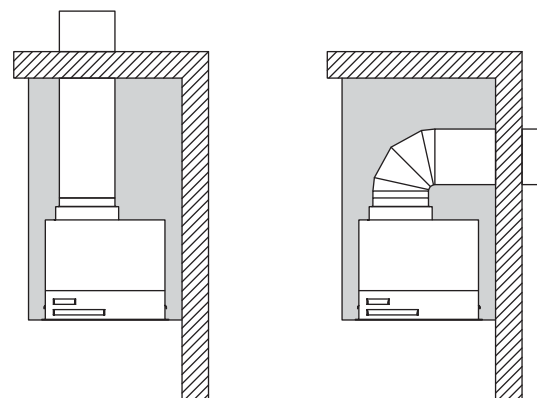
Attention should be given to ensure that any applicable regulations concerning the discharge of exhaust air are fulfilled. Local building codes may require the use of make-up air systems when using ducted ventilation systems greater than specified cubic feet per minute (CFM) of air movement. The specified CFM varies from locale to locale. It is the responsibility of the owner and the installer to determine if additional requirements and/or standards apply to specific installations.

Venting requirements

IMPORTANT!

To reduce risk of fire and to properly exhaust air, be sure to duct air outside—Do not vent exhaust air into spaces within walls or ceilings or into attics, crawl spaces, or garages.

- The range hood can be installed to operate with the exhaust air ducted externally from the kitchen.
- Use the shortest and straightest duct route possible, for optimal efficiency. Elbows and transitions increase noise and reduce air flow efficiency.
- For best results:
 - In ducted installations with internal blowers, use 8" (203mm) or 10" (254mm) round ducting.
 - For inline blowers use 10" (254mm) round ducting.



Vent through roof

Vent through exterior wall

Compatible blowers with this range hood

This range hood may only be used with:

- The provided internal blowers (for HPB30/36/48 range hood models) and/or
- Fisher and Paykel approved Inline blowers which can be purchased separately (for HP30/36/48 range hood models).

To minimize noise in the kitchen, these blowers are mounted along the duct line anywhere between the kitchen and the exterior wall.

CAUTION!

To reduce the risk of fire and electric shock, install this range hood only with remote blower models rated maximum 4.8A or integral blowers supplied with the range hood.

IMPORTANT!

Venting directly into the cabinet with no vent is not permitted.

WARNING!

- This appliance is heavy and requires two persons for unpacking and installation.
- Installation work and electrical wiring must be done by qualified person(s) in accordance with all applicable codes and standards.
- Failure to install the screws or fixing device in accordance with these instructions may result in electrical hazards
- When cutting or drilling into wall or ceiling, do not damage electrical wiring and other hidden utilities.

IMPORTANT!

- Wear gloves to protect against sharp edges.
- The manufacturer is not liable for any damage caused by not following these instructions.

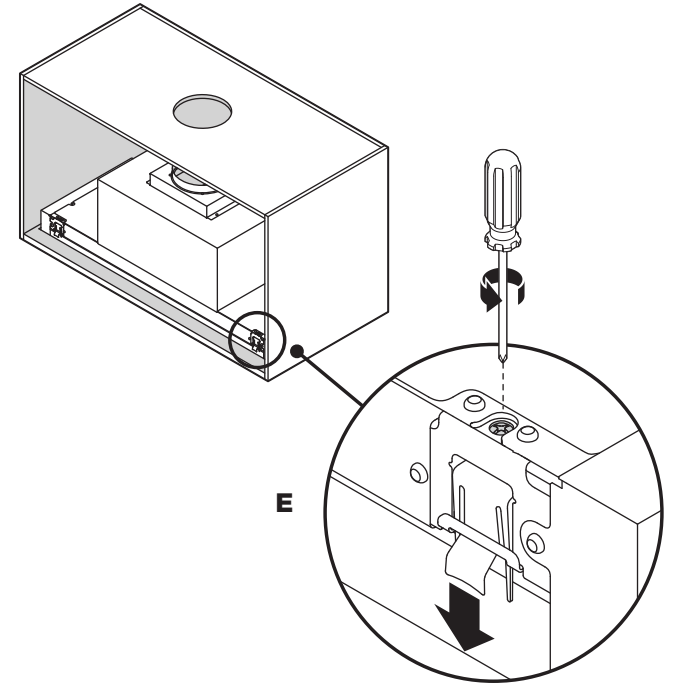
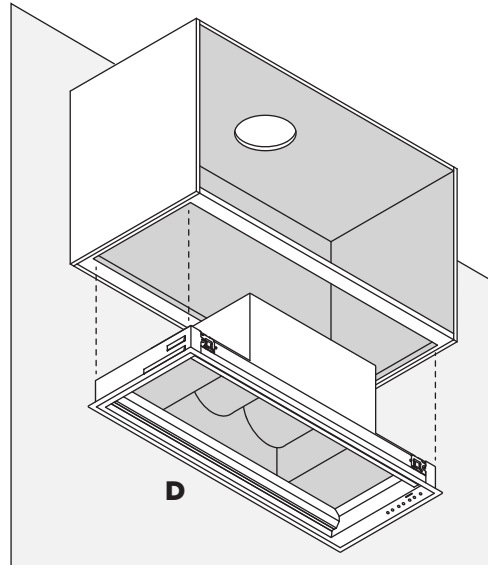
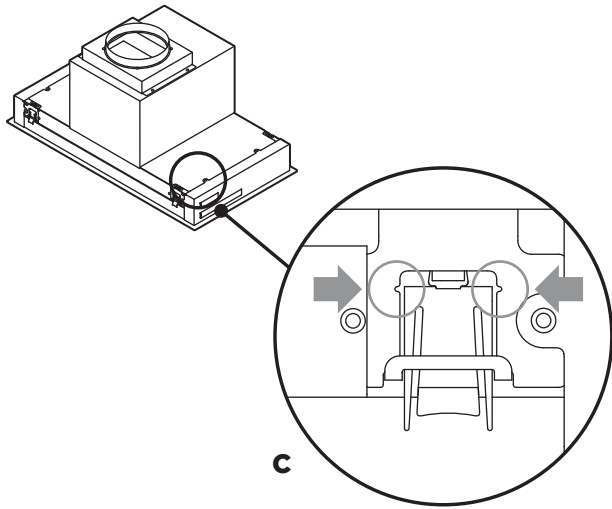
Before you start installation

- Ensure you have read the 'Installation preparation' section of this guide.
- Unpack the range hood.
- Ensure the voltage (V) and the frequency (Hz) indicated on the serial plate match the voltage and frequency of the installation site.
- Check all functions of the range hood are working.
- Check that the area above and behind the installation surface is clear of any electrical cables or pipes and there is proper clearance for the ducting etc.
- The range hood surfaces can be damaged during installation if grazed or knocked by tools. Please take care to protect the surfaces during installation.
- Remove protective wrappings that will not be accessible after installation.
- Protect the cooktop to prevent damage occurring whilst the range hood is being installed above.
- The wall or cabinet used for mounting the range hood should have sufficient strength and a flat surface.

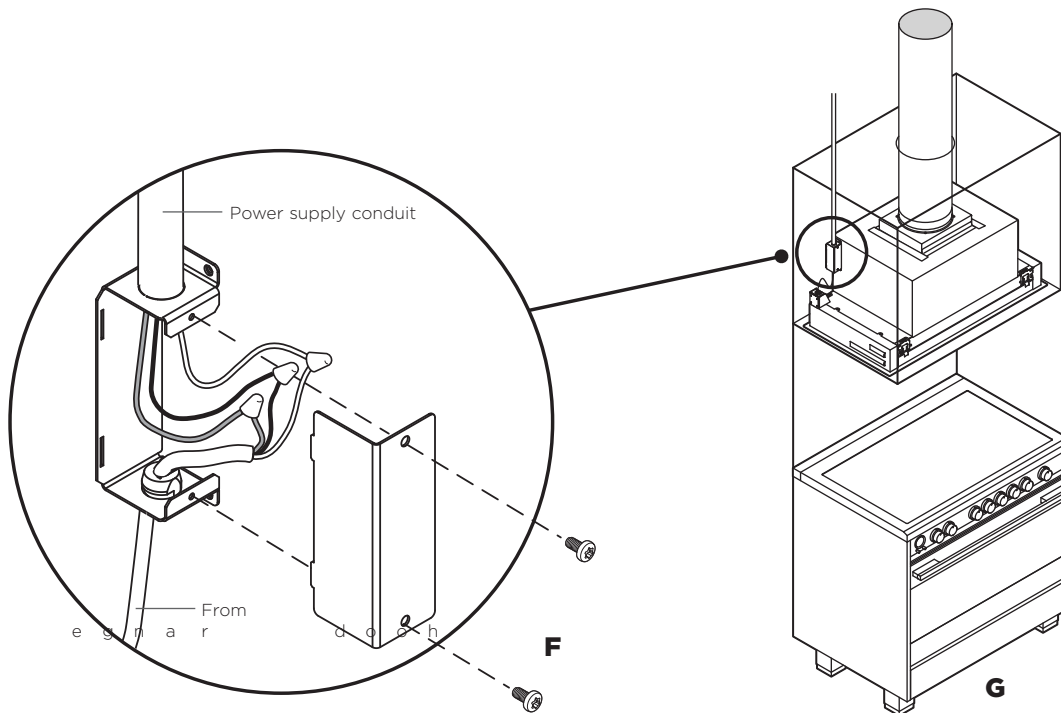
WARNING!

- Installation work and electrical wiring must be done by qualified person(s) in accordance with all applicable codes and standards.
 - This unit must be earthed/grounded. Improper earthing/grounding can result in a risk of electric shock.
- ① Ensure the cabinetry has the required cutout for insertion of the range hood. Refer to the 'Cabinetry cutout dimensions' section of this installation book.
 - ② If you are using a duct adaptor this must be installed to the range hood prior to the range hood being mounted. Please refer to 'Duct adaptor assembly' for details on how to install your duct adaptor.
 - ③ Ensure the mounting brackets are set to the correct position for installation by checking the top of the foot lines up with the notches (refer to **C**). Note: Adjusting the mounting bracket up or down from this position prior to installation could cause the range hood to be difficult to install and/or damage the cabinetry.
 - ④ Lift the range hood into the opening until the spring loaded mounting brackets click into place and support the weight of the range hood (refer **D**). For larger size range hoods this will require two people. Note: Depending on the cabinetry base panel thickness the range hood will be protruding below the cabinetry until tightened.
 - ⑤ Secure the range hood into the cabinetry by tightening each of the mounting brackets in a **counterclockwise** direction (refer to **E**). Tighten each bracket in succession around the range hood to close the gap incrementally for each bracket.
 - ⑥ Remove the junction box cover by removing the two screws (refer to **F**).
 - ⑦ Remove the electrical knockout and install a cULus listed 1/2" (12.7mm) wiring conduit and strain relief in the junction box.
 - ⑧ Run three wires through the conduit from the power supply to the junction box.
 - ⑨ Connect the power supply wires to the range hood wires using suitable cULus listed wire nuts:
 - black to black
 - white to white
 - green/yellow to green/yellow
 - ⑩ Close the junction box cover and secure with screws.
 - ⑪ **Complete the installation**
 - Install the filters as described in the 'Cleaning and maintenance' section of your User guide.
 - Remove all protective wrapping from range hood.
 - Turn the power on at control panel.
 - Check the operation of the range hood as described in the 'Operating instructions' section of your User guide.
 - Refer to **G** for an image of a completed installation.

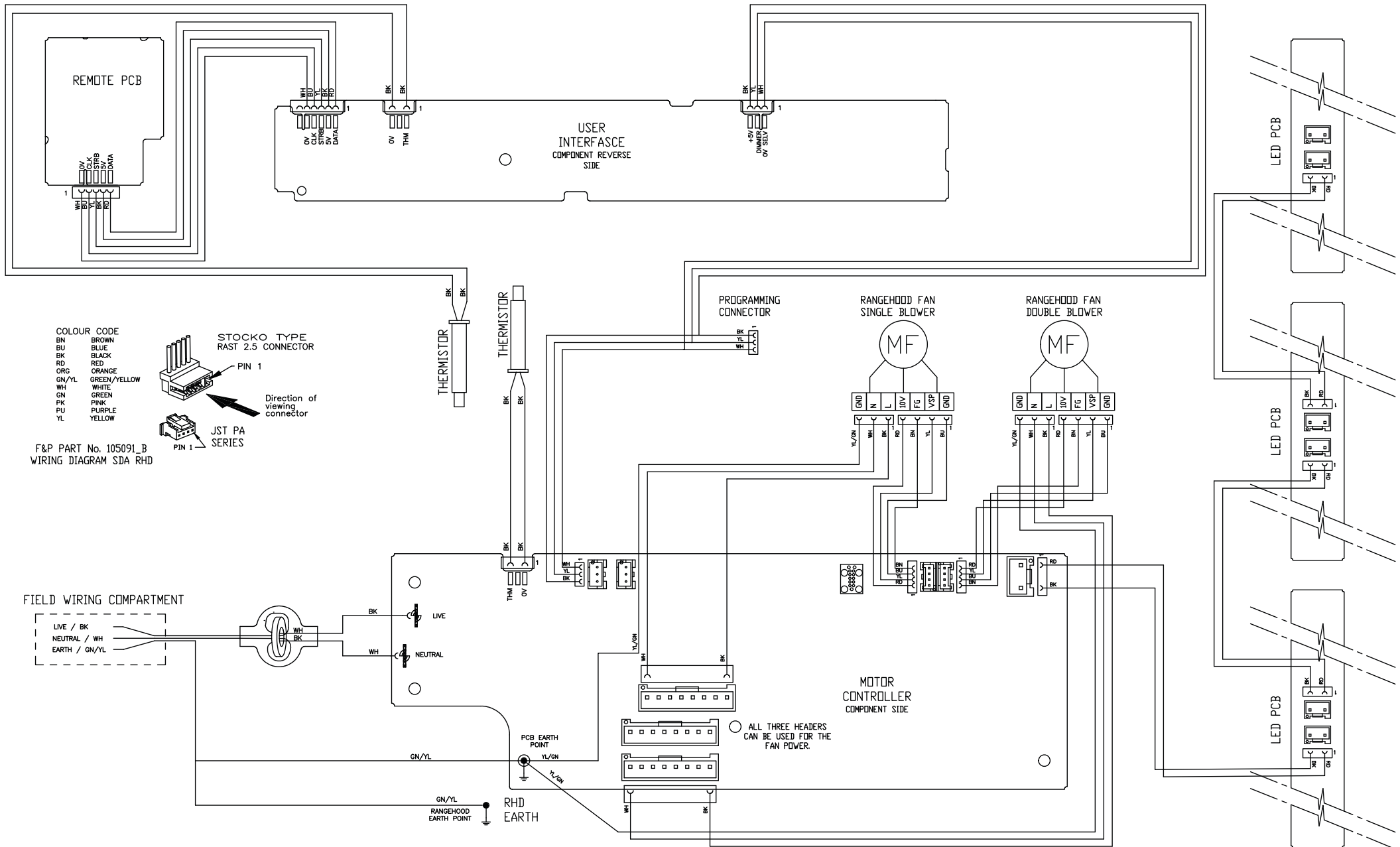
5 INSTALLATION INSTRUCTIONS



Note: The range hood must be installed with the control panel on the right.



⑥ WIRING DIAGRAM



FISHERPAYKEL.COM

© Fisher & Paykel Appliances 2024. All rights reserved.

The models shown in this guide may not be available in all markets
and are subject to change at any time.

The product specifications in this guide apply to the specific products and
models described at the date of issue. Under our policy of continuous product
improvement, these specifications may change at any time.

For current details about model and specification availability in your country,
please go to our website or contact your local Fisher & Paykel dealer.

105305E 12.24

FISHER & PAYKEL

HOTTE ENCASTRÉE

Modèles HPB3011-4, HPB3011-6, HPB3019-6, HPB3611-4,
HPB3611-6, HPB3619-6, HPB3619-12, HPB4819-12

GUIDE D'INSTALLATION

US CA

105305E 04.24

⚠ MISE EN GARDE!



Risque de poids excessif

L'appareil est lourd. Lors de l'installation de l'appareil, veuillez vous assurer de porter une attention appropriée afin d'éviter toute blessure.

Poids des produits :

- HPB3011-4 = 36 lb (17 kg)
- HPB3011-6 = 36 lb (17 kg)
- HPB3019-6 = 46 lb (21 kg)
- HPB3611-4 = 41 lb (19kg)
- HPB3611-6 = 41 lb (19 kg)
- HPB3619-6 = 51 lb (23 kg)
- HPB3619-12 = 68 lb (31 kg)
- HPB4819-12 = 77 lb (35 kg)

⚠ MISE EN GARDE!



Risque de choc électrique

Déconnectez toujours l'appareil de l'alimentation électrique avant de procéder à l'entretien ou à des réparations.

L'installation et le câblage électrique doivent être réalisés par une ou plusieurs personne(s) qualifiée(s), en conformité avec tous les codes et toutes les normes applicables, notamment en ce qui concerne les constructions ignifuges.

Le fait de ne pas respecter ces consignes peut causer la mort, un choc électrique, un incendie ou des blessures.

IMPORTANT!

VEUILLEZ LIRE TOUTES CES CONSIGNES AVANT D'INSTALLER OU UTILISER CET APPAREIL. Reportez-vous au Guide d'utilisation pour plus de détails sur les consignes de sécurité et mises en garde. Vous trouverez également une copie de ce Guide d'installation et du Guide d'utilisation de ce produit sur le site fisherpaykel.com.

MISE EN GARDE!

Pour une utilisation résidentielle uniquement.

- Utilisez uniquement des conduits en métal pour réduire les risques d'incendie.
- N'utilisez pas de conduits flexibles.

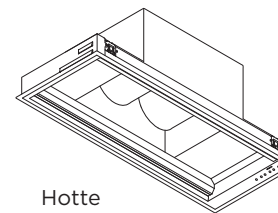
ATTENTION!

Assurez-vous d'évacuer l'air vers l'extérieur pour réduire les risques d'incendie et évacuer l'air adéquatement. N'évacuez pas l'air dans les murs, plafonds, greniers, vides sanitaires ou garages.

- Veuillez lire attentivement ce manuel et conservez-le après l'installation pour référence ultérieure.
- Conservez tous les matériaux d'emballage (boîte, palette, sangles) jusqu'à ce que vous terminiez l'inspection de l'appareil.
- Inspectez le produit pour vérifier qu'aucun dommage n'a été causé lors de l'expédition. En cas de dommages, communiquez avec le détaillant qui vous a vendu le produit pour signaler les dommages.
- Fisher & Paykel n'est pas responsable des dommages causés lors de l'expédition.



Guide d'utilisation et Guide d'installation

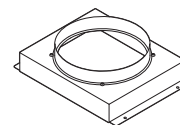


Hotte



Filtres

- HPB30 (2)
- HPB36 (3)
- HPB48 (4)



Adaptateur de conduit incluant des vis T20 de 5/16 po (8 mm) (4) (certains modèles)

- HPB3619-12, HPB4819-12, avec sortie de 10 po (254 mm)



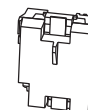
Anneau adaptateur incluant des vis T20 de 5/16 po (8 mm) (4)

- HPB3011-4/6, HPB3019-6, HPB3611-4/6 et HPB3619-6, avec sortie de 8 po (203 mm).

Autres matériaux et outils requis :

- Conduit en métal
- Ruban d'aluminium (NE PAS utiliser de ruban adhésif en toile)
- Tournevis à pointe T20
- Conduit de câblage et raccords de 1/2 po (12,7 mm) approuvés cULus
- Serre-câble de 1/2 po (12,7 mm) approuvé cULus
- Capuchons de connexion homologués cULus
- Clapet(s) anti-refoulement d'air, si nécessaire(s)

Accessoires en option



Ensemble de télécommande - Télécommande (1), Récepteur sans fil (1)

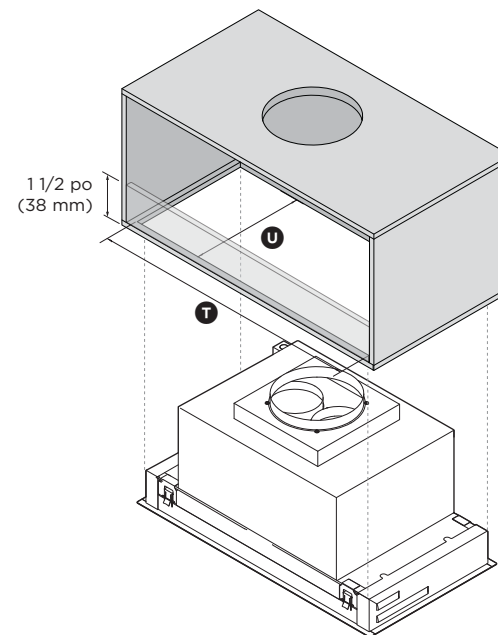
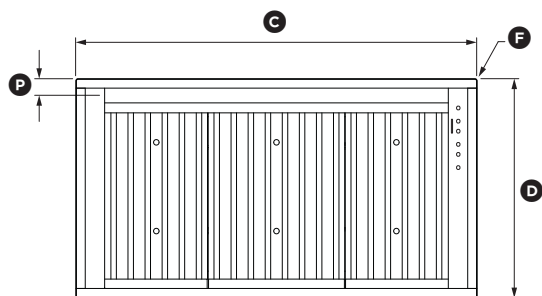
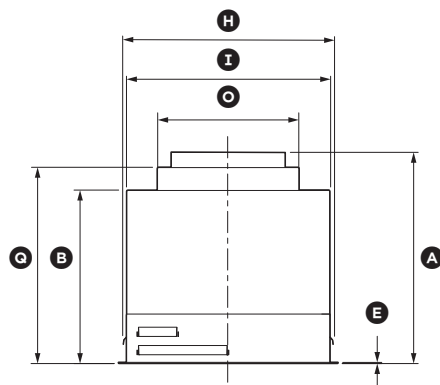
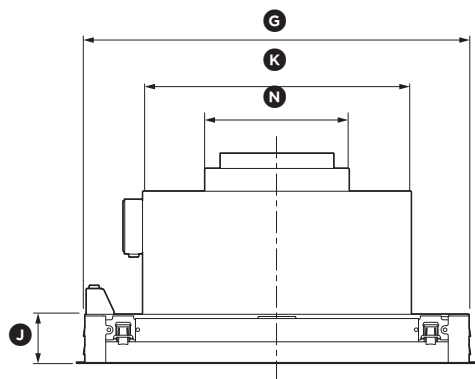
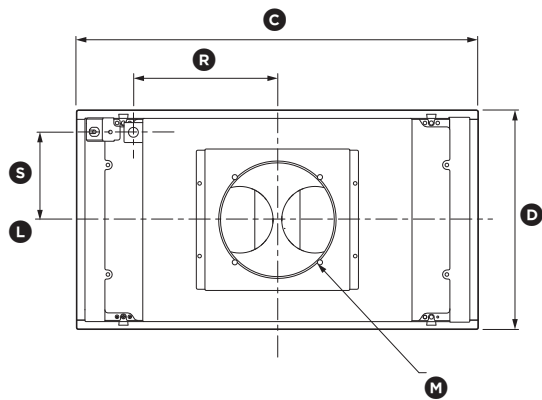
IMPORTANT!

CONSERVEZ CES INSTRUCTIONS

Les modèles illustrés dans ce guide d'installation peuvent ne pas être disponibles dans tous les pays et sont sujets à modifications sans préavis. Pour les plus récentes informations sur la disponibilité des modèles et des caractéristiques dans votre pays, veuillez visiter notre site Web fisherpaykel.com.

③ DIMENSIONS DU PRODUIT ET DE L'OUVERTURE DANS L'ARMOIRE

Modèles HPB3011-4, HPB3011-6, HPB3019-6, HPB3611-6, HPB3619-6, HPB3619-12 et HPB4819-12



Pour plus de détails, reportez-vous à 'Installation avec montage sous l'armoire' à la page 4.

③ DIMENSIONS DU PRODUIT ET DE L'OUVERTURE DANS L'ARMOIRE

	HPB3011-4 HPB3011-6	HPB3019-6	HPB3611-4 HPB3611-6	HPB3619-6	HPB3619-12	HPB4819-12
DIMENSIONS DU PRODUIT	pouces (mm)	pouces (mm)	pouces (mm)	pouces (mm)	pouces (mm)	pouces (mm)
Ⓐ Hauteur hors tout du produit	16 1/4 (412)	16 1/4 po (412)	16 1/4 po (412)	16 1/4 (412)	18 3/16 (462)	18 3/16 (462)
Ⓑ Hauteur hors tout du produit (excluant l'adaptateur de conduit)	15 (381)	15 (381)	15 (381)	15 (381)	15 (381)	15 (381)
Ⓒ Largeur hors tout du produit	28 3/4 (730)	28 3/4 (730)	34 5/8 (880)	34 5/8 (880)	34 5/8 (880)	46 7/16 po (1180)
Ⓓ Profondeur hors tout du produit	11 (280)	18 7/8 (480)	11 (280)	18 7/8 (480)	18 7/8 po (480)	18 7/8 po (480)
Ⓔ Épaisseur de la bride	1/16(2,5)	1/16 (2,5)	1/16 (2,5)	1/16 (2,5)	1/16 (2,5)	1/16po (2,5)
Ⓕ Rayon d'angle du pourtour.	1/8 (3,5)	1/8 (3,5)	1/8 (3,5)	1/8 (3,5)	1/8 (3,5)	1/8 po (3,5)
Ⓖ Largeur du châssis incluant les volets	27 9/16 (700)	27 9/16 (700)	33 7/16 (850)	33 7/16 (850)	33 7/16 (850)	45 1/4 po (1150)
Ⓗ Profondeur du châssis incluant les pattes de fixation	10 3/8 (264)	18 1/4 (463)	10 3/8 (264)	18 1/4 (463)	18 1/4 (463)	18 1/4 po (463)
Ⓘ Profondeur du châssis excluant les pattes de fixation	9 15/16 (252)	17 13/16 (452)	9 15/16 (252)	17 13/16 (452)	17 13/16 (452)	17 13/16 po (452)
Ⓙ Hauteur du côté du châssis	4 3/8 (111)	4 3/8 (111)	4 3/8 (111)	4 3/8 (111)	4 3/8 (111)	4 3/8 po (111)
Ⓚ Largeur du boîtier de ventilateur	13 (330)	13 (330)	13 (330)	13 (330)	23 1/4 (590)	23 1/4 po (590)
Ⓛ Décalage de l'adaptateur de conduit – devant le centre	3/8 (10)	3/8 (10)	3/8 (10)	3/8 (10)	0 (0)	0 po (0)
Ⓜ Diamètre extérieur de la sortie de conduit	8 1/4 (210)	8 1/4 (210)	8 1/4 (210)	8 1/4 (210)	9 13/16 (250)	9 13/16 po (250)
Ⓝ Largeur de l'adaptateur de conduit	N/A	N/A	N/A	N/A	12 3/16 (310)	12 3/16 po (310)
Ⓞ Profondeur de l'adaptateur de conduit	N/A	N/A	N/A	N/A	12 1/2 (318)	12 1/2 po (318)
Ⓟ Distance entre le centre de la lampe et l'avant du produit	1 3/8 (35,5)	1 3/8 (35,5)	1 3/8 (35,5)	1 3/8 (35,5)	1 3/8 (35,5)	1 3/8 po (35,5)
Ⓠ Hauteur de la surface supérieure de l'adaptateur de conduit	N/A	N/A	N/A	N/A	16 7/8 (428)	16 7/8 po (428)
Ⓡ Décalage par rapport au centre de l'alvéole défonçable de la boîte de jonction	7 5/16 (186)	7 5/16 (186)	7 5/16 (186)	7 5/16 (186)	12 7/16 (316)	12 7/16 po (316)
Ⓢ Décalage par rapport au centre de l'alvéole défonçable de la boîte de jonction	3 5/8 (92)	7 9/16 (192)	3 5/8 (92)	7 9/16 (192)	7 9/16 (192)	7 9/16 po (192)
DIMENSIONS DE L'OUVERTURE DANS L'ARMOIRE						
Ⓣ Largeur hors tout de l'ouverture	27 3/4 (705)	27 3/4 (705)	33 11/16 (855)	33 11/16 (855)	33 11/16 po (855)	45 1/2 po (1155)
Ⓤ Profondeur hors tout de l'ouverture	10 1/16 (255)	17 15/16 (455)	10 1/16 (255)	17 15/16 (455)	17 15/16 po (455)	17 15/16 po (455)
Épaisseur de la surface de l'armoire	Min. 5/8 (16) Max. 1 1/2 (38)	Min. 5/8 (16) Max. 1 1/2 (38)	Min. 5/8 (16) Max. 1 1/2 (38)	Min. 5/8 (16) Max. 1 1/2 (38)	Min. 5/8 po (16) Max. 1 1/2 po (38)	Min. 5/8 po (16) Max. 1 1/2 po (38)

Remarque :

Pour les modèles de plus grande taille, nous vous recommandons de renforcer l'armoire. Veuillez vous assurer que les pièces de renforcement n'empêchent pas l'accès pour l'entretien.

Pour une optionnelle installation encastrée, reportez-vous aux dimensions du produit pour référence.

Les dimensions de l'ouverture dans l'armoire doivent être comprises dans une limite de +/- 1/32" (1 mm).

IMPORTANT!

- Les dimensions réelles du produit peuvent varier de $\pm 1/16$ po (2 mm).
- Veuillez lire toutes les instructions avant d'installer la hotte.

4 PRÉPARATION POUR L'INSTALLATION

IMPORTANT

Les modèles HPB3011-4, HPB3011-6, HPB3611-4 et HPB3611-6 ne sont pas adaptés pour une utilisation avec des plaques de cuisson de haute puissance de type professionnel.

Largeur de la hotte

- Il est recommandé de choisir une hotte dont la largeur n'est pas inférieure à la largeur de la surface de cuisson.
- Une hotte plus large peut être utilisée pour augmenter la zone d'aspiration si l'espace n'est pas restreint.
- Pour assurer un rendement adéquat, la hotte doit idéalement être centrée au-dessus de la surface de cuisson.

MISE EN GARDE!

Pour réduire les risques d'incendie, utilisez uniquement des conduits en métal. N'utilisez pas de conduits flexibles.

Emplacement d'installation – Préparation du conduit

La hotte est suspendue sous une armoire. Le conduit peut être configuré pour une évacuation tant à la verticale qu'à l'horizontale. Le conduit peut se terminer au travers du toit ou du mur; un coude à 90° est requis pour l'évacuation au travers du mur.

Éléments supplémentaires en option

Tous les éléments supplémentaires en option doivent être installés avant que la hotte soit installée.

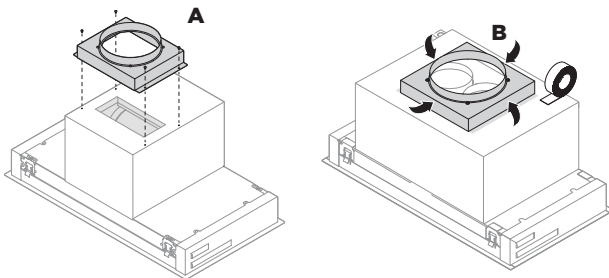
Adaptateur de conduit

Un adaptateur de conduit circulaire de 8 po (203 mm) ou 10 po (254 mm) est fourni pour l'assemblage à la partie supérieure de la hotte, pour l'obtention d'une seule sortie. Cet adaptateur doit être installé avant le montage de la hotte.

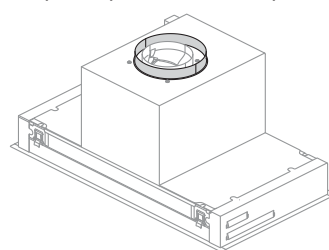
Assemblage de l'adaptateur de conduit

- Placez l'adaptateur de conduit au-dessus de l'évacuation de la hotte, puis fixez-le avec les quatre vis 5/16 po (8 mm) fournies (reportez-vous à **A**).
 - Scellez le raccordement entre l'adaptateur de conduit et la hotte à l'aide de ruban d'aluminium (reportez-vous à **B**).
- Remarque : Les modèles à ventilateur double sont munis d'un anneau adaptateur, comme illustré ci-dessous. Les étapes d'assemblage sont les mêmes que ci-dessus.

Adaptateur pour ventilateur double :



Adaptateur pour ventilateur simple :



Hauteur de la hotte

DIMENSIONS D'INSTALLATION

- (A) Du dessus de la surface de cuisson à la base de la hotte

pouces (mm)

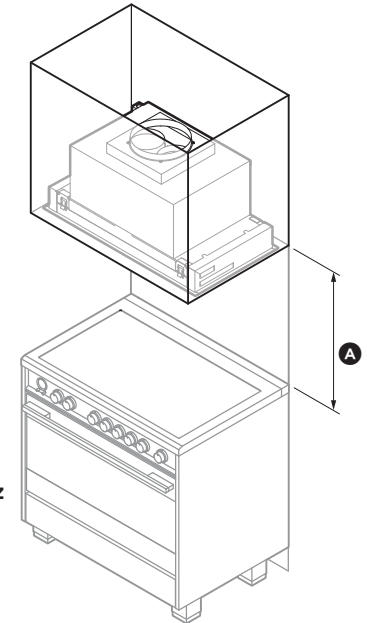
Distance min. 30 (762)
Distance recommandée max. 42 (1 067)

La hauteur d'installation varie d'une hauteur minimale de 30 po (762 mm) à une hauteur recommandée maximale de 42 po (1 067 mm). Consultez les Instructions d'installation et le Guide d'utilisation de la surface de cuisson pour obtenir plus de détails sur la hauteur d'installation requise de la hotte.

Cette hotte ne doit pas être installée à une hauteur inférieure à la hauteur minimale indiquée dans le tableau ci-dessus. La hauteur d'installation minimale peut être supérieure, si cela est requis par le fabricant de la surface de cuisson. L'installation à la hauteur minimale améliore l'efficacité de l'appareil pour l'élimination des odeurs, de la graisse et de la fumée de cuisson. L'installation à la hauteur recommandée maximale améliore l'utilisation ergonomique en offrant un plus grand espace de dégagement.

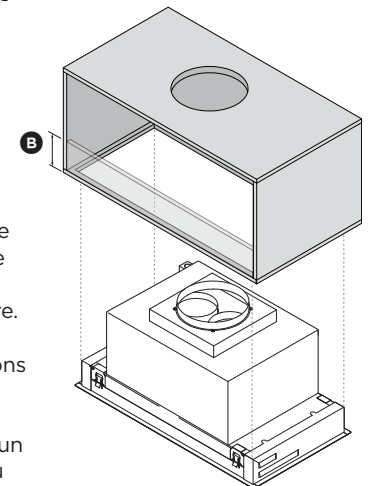
IMPORTANT

- **Activez toujours votre hotte lorsque vous cuisinez.**
- **L'utilisation d'une surface de cuisson au gaz puissante ou de plusieurs brûleurs au gaz fonctionnant en même temps peut rendre brûlantes les surfaces de la hotte; vous pouvez atténuer cet effet en procédant comme suit :**
 - Utilisez le réglage de vitesse maximum pour permettre l'évacuation rapide de l'air chaud.
 - Installez la hotte à la hauteur recommandée maximale. Consultez les Instructions d'installation et le Guide d'utilisation de la surface de cuisson pour obtenir plus de détails sur la hauteur d'installation de la hotte.



Installation avec montage sous l'armoire

- L'armoire doit être suffisamment solide et reliée structurellement aux montants du mur pour supporter le poids de cette hotte.
- Si des poutres de soutien sont ajoutées à l'armoire, leur hauteur ne doit pas dépasser 1 1/2 po (38 mm) **B** depuis le dessous de l'armoire. Les poutres d'une hauteur supérieure empêcheraient l'accès pour l'entretien.
- La hotte doit être installée dans une ouverture sous l'armoire.
- Vous devez utiliser les dimensions de l'ouverture dans l'armoire qui sont indiquées; consultez la section 'Dimensions du produit et de l'ouverture dans l'armoire'. Les dimensions indiquées permettent un dégagement minimal.
- Nous recommandons que l'armoire possède une porte ou un panneau pouvant s'ouvrir facilement pour donner accès au raccordement d'alimentation.



Exigences électriques

MISE EN GARDE!

- Le câblage électrique doit être réalisé par une ou plusieurs personne(s) qualifiée(s), en conformité avec tous les codes et toutes les normes applicables.
- Cet appareil doit être mis à la terre.
- Cette hotte doit être raccordée uniquement à l'aide de fil de cuivre.
- Cet appareil ne doit être utilisé qu'avec une alimentation électrique de 120 V CA/60Hz, sur un circuit de dérivation dédié de 15A. Nous vous recommandons d'utiliser un fusible à fusion lente ou un disjoncteur.
- Les calibres de fil doivent être conformes aux exigences de la norme ANSI/NFPA 70 de la dernière édition du Code national de l'électricité, ainsi qu'à tous les codes et règlements locaux en vigueur.
- Le calibre de fil et les raccordements doivent être conformes aux caractéristiques de cet appareil.
- Cet appareil doit être raccordé directement au sectionneur à fusibles (ou au disjoncteur) au moyen d'un câble de cuivre flexible à armature ou gaine non métallique. Prévoyez une longueur de câble suffisante pour qu'il soit possible de déplacer l'appareil en cas de réparation.
- Un serre-câble homologué cULus ou un raccord de conduit de 1/2 po (12,7 mm) doit être utilisé à chaque extrémité du câble d'alimentation électrique (au niveau de l'appareil et de la boîte de jonction).

MISE EN GARDE!

- Pour réduire les risques d'incendie ou de choc électrique, n'utilisez pas ce ventilateur avec un dispositif de contrôle de vitesse à semi-conducteurs.

Source d'air d'appoint (non incluse)

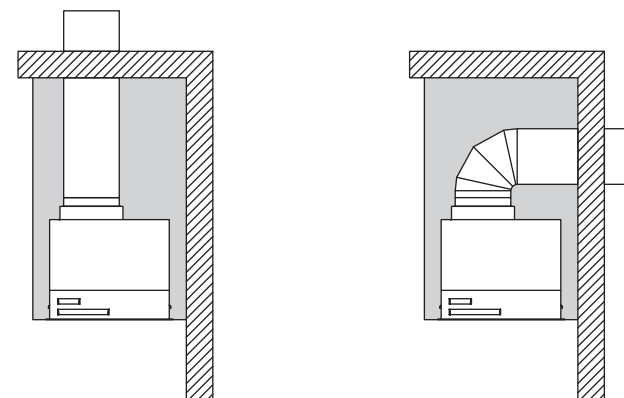
Veillez porter une attention particulière à assurer la conformité à toutes les réglementations relatives à l'évacuation de l'air. Les codes locaux du bâtiment peuvent exiger l'utilisation de systèmes d'air d'appoint lors de l'utilisation de systèmes de ventilation par conduit dont la circulation d'air est supérieure à la valeur de pied cube par minute (PCM) spécifiée. La valeur PCM varie d'un endroit à l'autre. Le propriétaire et l'installateur ont la responsabilité de déterminer si des exigences et/ou normes supplémentaires s'appliquent aux installations spécifiques.

Exigences relatives à l'évacuation

IMPORTANT!

Pour réduire les risques d'incendie et évacuer l'air adéquatement, assurez-vous d'évacuer l'air vers l'extérieur — N'évacuez pas l'air dans les murs, plafonds, greniers, vides sanitaires ou garages.

- La hotte peut être installée de manière à fonctionner en évacuant l'air à l'extérieur de la cuisine.
- Pour une efficacité optimale, utilisez le trajet de conduit le plus court et le plus droit possible. Les coudes et transitions augmentent le niveau de bruit et réduisent l'efficacité du débit d'air.
- Pour de meilleurs résultats :
 - Dans les installations de conduit avec ventilateurs internes, utilisez un conduit circulaire de 8 po (203 mm) ou 10 po (254 mm).
 - Pour les ventilateurs en ligne, utilisez un conduit circulaire de 10 po (254 mm).



Évacuation au travers du toit

Évacuation au travers du mur extérieur

Ventilateurs compatibles avec cette hotte

Cette hotte peut être utilisée uniquement avec :

- Les ventilateurs internes fournis (pour les modèles de hotte HPB30/36/48) et/ou
- Des ventilateurs en ligne approuvés par Fisher & Paykel, qui peuvent être achetés séparément (pour les modèles de hotte HP30/36/48).

Pour minimiser le bruit dans la cuisine, ces ventilateurs sont installés le long du conduit, à un endroit quelconque entre la cuisine et le mur extérieur.

ATTENTION!

Pour réduire les risques d'incendie et de choc électrique, installez cette hotte uniquement avec des modèles de ventilateurs séparés d'un maximum de 4,8 A ou avec les ventilateurs internes fournis avec la hotte.

Ensemble de recirculation – filtre à charbon (non inclus)

Un ensemble de recirculation en option peut être commandé séparément et fixé dans votre hotte; consultez la section 'Pièces et accessoires' de votre Guide d'utilisation et visitez le site fisherpaykel.com pour commander.

IMPORTANT!

L'évacuation directe dans l'armoire sans évent n'est pas permise.

MISE EN GARDE!

- Cet appareil est lourd. Il doit être déballé et installé par deux personnes.
- L'installation et le câblage électrique doivent être réalisés par une ou plusieurs personne(s) qualifiée(s), en conformité avec tous les codes et toutes les normes applicables.
- Le fait de ne pas installer les vis ou le dispositif de fixation conformément à ces instructions peut entraîner des risques de choc électrique.
- Au moment de couper ou percer le mur ou le plafond, veillez à ne pas endommager le câblage électrique ou les conduites qui y sont dissimulés.

IMPORTANT!

- Portez des gants pour vous protéger des rebords tranchants.
- Le fabricant n'est pas responsable des dommages résultant du non-respect de ces instructions.

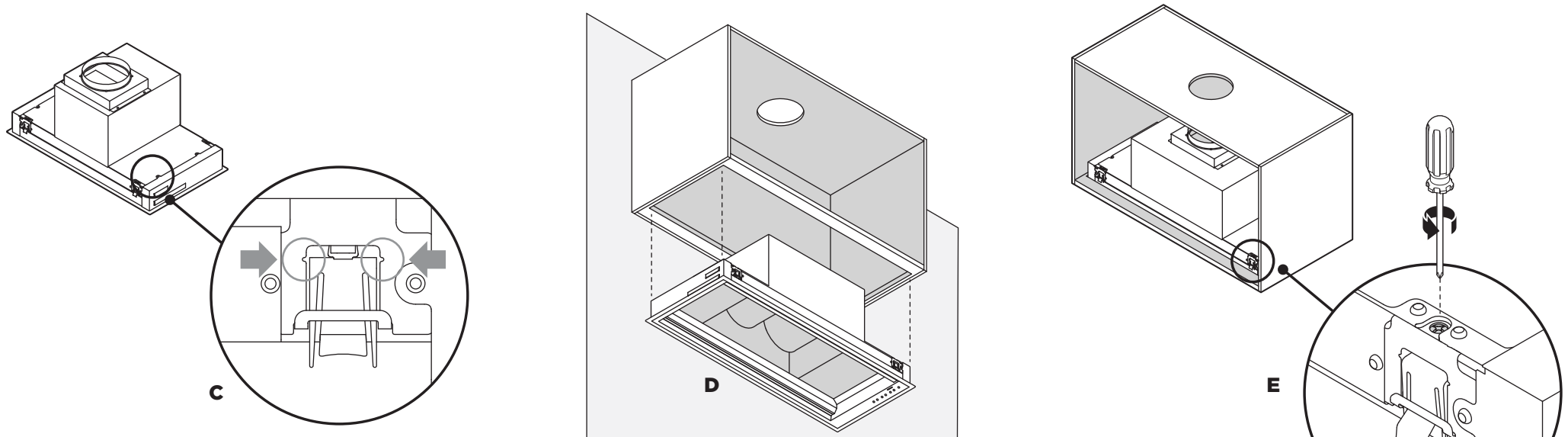
Avant de commencer l'installation

- Assurez-vous de lire la section 'Préparation pour l'installation' de ce guide.
- Déballez la hotte.
- Assurez-vous que la tension (V) et la fréquence (Hz) indiquées sur la plaque signalétique correspondent à la tension et la fréquence sur le site d'installation.
- Vérifiez que toutes les fonctions de la hotte fonctionnent.
- Vérifiez que la zone au-dessus ou à l'arrière de la surface d'installation ne comporte aucun câble électrique ou tuyau et que l'espace est suffisant pour l'installation du conduit, etc.
- Les surfaces de la hotte peuvent être endommagées pendant l'installation en cas de frottement ou contact avec un outil. Veuillez vous assurer de protéger les surfaces pendant l'installation.
- Retirez les enveloppes de protection qui ne seront pas accessibles après l'installation.
- Protégez la surface de cuisson pour éviter de l'endommager pendant l'installation de la hotte.
- Le mur ou l'armoire servant à installer la hotte doit être suffisamment solide et comporter une surface plane.

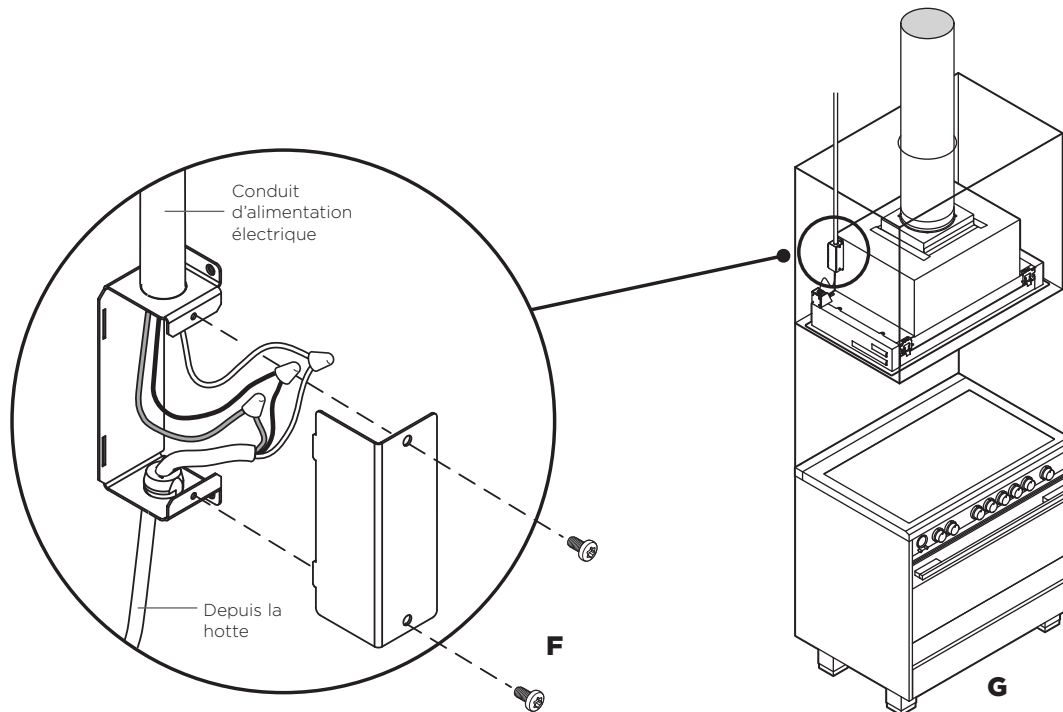
MISE EN GARDE!

- L'installation et le câblage électrique doivent être réalisés par une ou plusieurs personne(s) qualifiée(s), en conformité avec tous les codes et toutes les normes applicables.
 - Cet appareil doit être mis à la terre. Une mise à la terre incorrecte peut entraîner un risque de choc électrique.
- ① Assurez-vous que l'armoire comporte l'ouverture requise pour l'insertion de la hotte. Reportez-vous à la section 'Dimensions de l'ouverture dans l'armoire' de ce guide d'installation.
 - ② Si vous utilisez un adaptateur de conduit, vous devez l'installer sur la hotte avant le montage de la hotte. Veuillez vous reporter à 'Assemblage de l'adaptateur de conduit' pour plus de détails sur l'installation de l'adaptateur de conduit.
 - ③ Assurez-vous que les pièces de fixation sont à la bonne position pour l'installation en vérifiant que le dessus de la patte est aligné avec les encoches (reportez-vous à **C**). Remarque : L'ajustement de la pièce de fixation vers le haut ou le bas à partir de cette position avant l'installation pourrait rendre la hotte difficile à installer et/ou causer des dommages à l'armoire.
 - ④ Soulevez la hotte dans l'ouverture jusqu'à ce que les pièces de fixation à ressort s'enclenchent et supportent le poids de la hotte (reportez-vous à **D**). Pour les hottes de plus grande taille, cette étape doit être effectuée par deux personnes. Remarque : Selon l'épaisseur du panneau de base de l'armoire, la hotte dépassera sous l'armoire jusqu'à ce que les pièces de fixation soient serrées.
 - ⑤ Fixez la hotte à l'armoire en serrant chacune des pièces de fixation **dans le sens inverse des aiguilles d'une montre** (reportez-vous à **E**). Serrez chacune des pièces de fixation l'une à la suite de l'autre autour de la hotte pour fermer progressivement l'espacement au niveau de chaque pièce de fixation.
 - ⑥ Retirez le couvercle de la boîte de jonction en retirant les deux vis (reportez-vous à **F**).
 - ⑦ Retirez l'alvéole défonçable pour le raccordement électrique et installez un conduit de câblage homologué cULus de 1/2 po (12,7 mm) et un serre-câble dans la boîte de jonction.
 - ⑧ Faites passer les trois fils dans le conduit, de l'alimentation électrique à la boîte de jonction.
 - ⑨ Connectez les fils d'alimentation électrique aux fils de la hotte en utilisant des capuchons de connexion homologués cULus adéquats :
 - noir à noir
 - blanc à blanc
 - vert/jaune à vert/jaune
 - ⑩ Fermez le couvercle de la boîte de jonction et fixez-le à l'aide des vis.
 - ⑪ **Terminez l'installation**
 - Installez les filtres de la manière décrite dans la section 'Nettoyage et entretien' de votre Guide d'utilisation.
 - Retirez toutes les enveloppes de protection de la hotte.
 - Mettez l'appareil en marche au panneau de commande.
 - Vérifiez le fonctionnement de la hotte de la manière décrite dans la section 'Instructions d'utilisation' de votre Guide d'utilisation.
 - Reportez-vous à **F** pour une image de l'installation terminée.

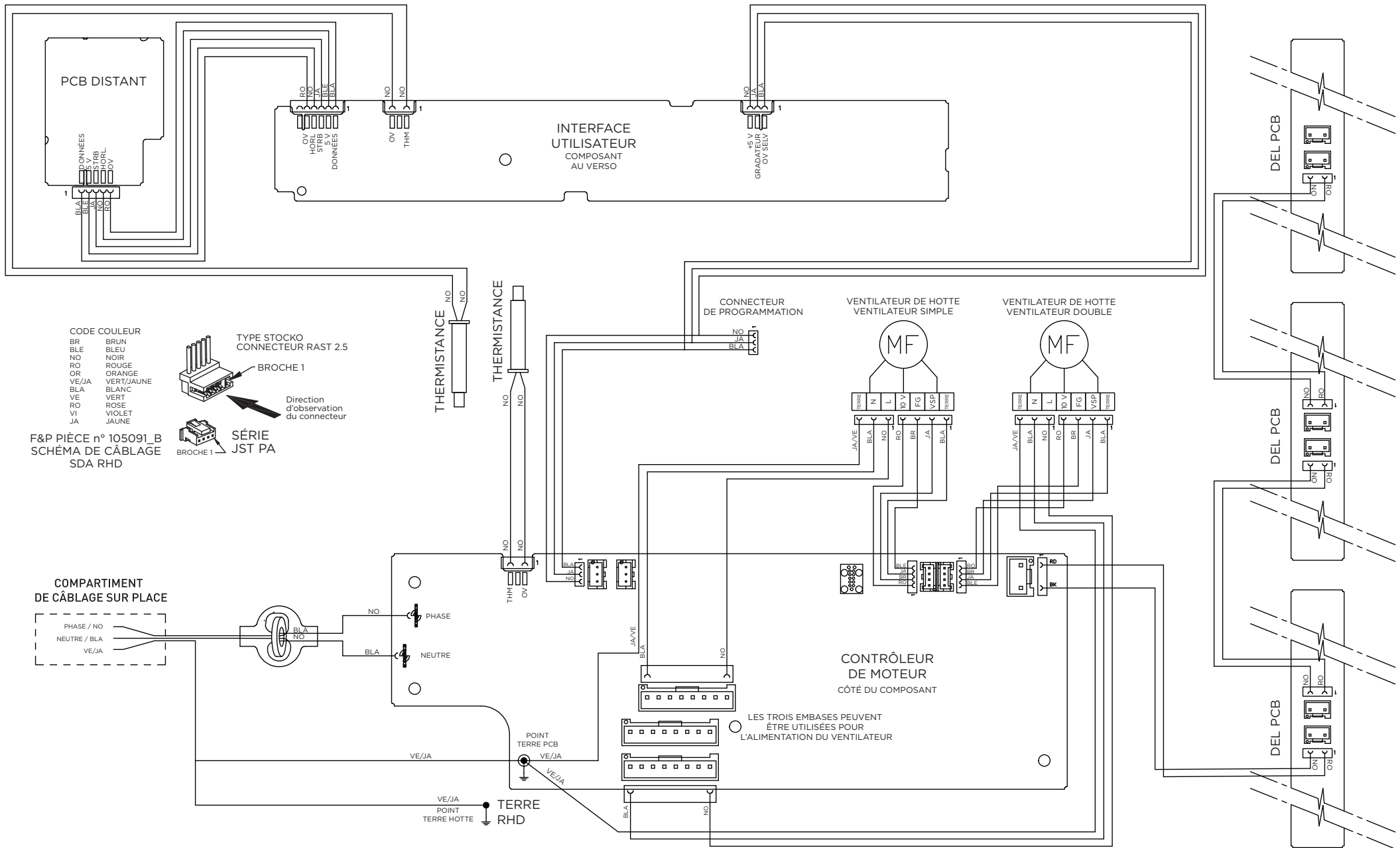
⑤ INSTRUCTIONS D'INSTALLATION



Remarque : La hotte doit être installée avec le panneau de commande à droite.



6 SCHÉMA DE CÂBLAGE



FISHERPAYKEL.COM

© Fisher & Paykel Appliances 2024. Tous droits réservés.

Les modèles illustrés dans ce guide peuvent ne pas être disponibles dans tous les pays et sont sujets à modifications sans préavis.

Les caractéristiques de produit présentées dans ce guide s'appliquent aux modèles et produits spécifiques qui y sont décrits à la date de publication. Dans le cadre de notre politique d'amélioration en permanence de nos produits, ces caractéristiques peuvent être modifiées à tout moment.

Pour les plus récentes informations sur la disponibilité des modèles et des caractéristiques dans votre pays, veuillez visiter notre site Web ou contacter votre détaillant Fisher & Paykel local.

