

# 60cm Series 9 Contemporary Pyrolytic Oven

Series 9 | Contemporary

Stainless Steel



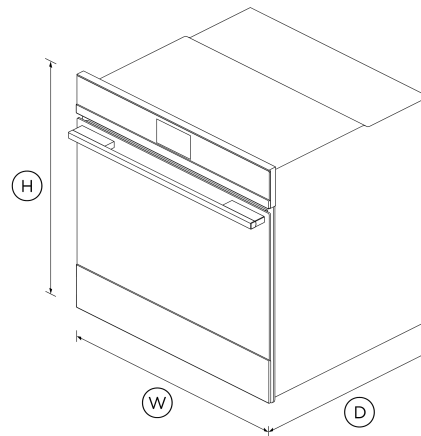
A highlight of the Fisher & Paykel collection, this Series 9 oven with touchscreen ensures that every dish is cooked to perfection.

- Touchscreen guided cooking capability offers helpful guidance for different food types as well as full recipes
- 85L total capacity with 16 oven functions including Roast and Pastry Bake
- Moisture level control with ActiveVent™ technology

- Pyrolytic self-cleaning function breaks down food residue for an easy clean

## DIMENSIONS

Height	598 mm
Width	596 mm
Depth	565 mm



## FEATURES & BENEFITS

### Cook With Confidence

Our touchscreen interface provides an intuitive guided cooking experience that helps deliver perfect results, whether you've been cooking all your life or just starting out. Cook with a favourite method, a hero ingredient, or a go-to cooking function or recipe.

### Generous Capacity

With a generous 85L total capacity, you can create several perfectly cooked dishes at once using multiple shelves.

### Exceptional Performance

Our unique cooking technologies were developed to deliver perfect results. ActiveVent ensures optimised moisture levels, while AeroTech circulates heat evenly for a consistent temperature.

### MULTI-FUNCTION FLEXIBILITY

The cooking functions have each been tailored, tested, tweaked and perfected to ensure that no matter what you're cooking, you've got the right heat to match. Purchase our Wireless Temperature Sensor accessory and precisely monitor cooking in real time (accessory sold separately).

### Self-Cleaning

Our pyrolytic self-cleaning technology breaks down food residue at a very high temperature, leaving a light ash that's easily removed with a damp cloth. The enamel coated side racks don't need to be removed when using this function.

### Design Freedom

Available in an elegant black or a stylish black with stainless steel, this oven is designed to fit seamlessly into your kitchen. Premium materials and detailing support a cohesive, considered kitchen design.

## SPECIFICATIONS

### Accessories (included)

Full extension sliding shelves	2 sets
Grill rack	1 set
Roasting dish	1
Smokeless grill tray	1
Step down wire shelf	1

Wired temperature sensor 1

**Accessories (sold separately)**

Optional Accessory round handle Part 81645

**Capacity**

Shelf positions 6  
 Total capacity 85 L  
 Usable capacity 72 L

**Cleaning**

Acid resistant graphite enamel •  
 Pyrolytic self-clean •  
 Removable oven door •  
 Removable oven door inner glass •  
 Removable shelf runners •

**Controls**

Adjustable audio and display settings •  
 Automatic cooking/minute timer •  
 Automatic pre-set temperatures •  
 Celsius/Fahrenheit temperature •  
 Certified Sabbath mode •  
 Dial with illuminated halo •  
 Electronic clock •  
 Electronic oven control •  
 Food probe •

Guided cooking by food type and recipes •  
 Intuitive touchscreen display •  
 Multi-language display

UK English, US English, Simplified Chinese, Français, Español

**Functions**

Air fry •  
 Bake •  
 Classic bake •  
 Dehydrate •  
 Fan bake •  
 Fan forced •  
 Fan grill •  
 Grill •  
 Number of functions 16  
 Pastry Bake •  
 Pizza bake •  
 Pyrolytic self-clean •  
 Rapid proof •  
 Roast •  
 Slow cook •  
 Vent bake •  
 Warm •

**Performance**

ActiveVent™ system •  
 AeroTech™ technology •  
 Automatic rapid pre-heat •

Grill power 3000 W  
 Whisper quiet cooking •

**Power requirements**

Amperage 15 A  
 Supply frequency 50 Hz  
 Supply voltage 220 - 240 V

**Product dimensions**

Depth 565 mm  
 Height 598 mm  
 Width 596 mm

**Safety**

Balanced oven door •  
 Catalytic venting system •  
 Control panel key lock •  
 CoolTouch door •  
 Non-tip shelves •

**Warranty**

Parts and labour 1 year

SKU 81782

The product dimensions and specifications in this page apply to the specific product and model. Under our policy of continuous improvement, these dimensions and specifications may change at any time. You should therefore check with Fisher & Paykel's Customer Care Centre to ensure this page correctly describes the model currently available. © Fisher & Paykel Appliances Ltd 2020

#### Other product downloads available at [fisherpaykel.com](https://fisherpaykel.com)

- [↓](#) 2D-DWG Oven
- [↓](#) 2D-DXF Oven
- [↓](#) Data Sheet Oven
- [↓](#) Service & Warranty
- [↓](#) Installation Guide
- [↓](#)  ZH
- [↓](#)  ZH
- [↓](#) Revit Oven
- [↓](#) Rhino Oven
- [↓](#) Restriction of Hazardous Substances
- [↓](#) Sketchup Oven
- [↓](#) Specification Guide Oven

#### Where applicable:

All appliances use energy, and energy usage typically generates carbon emissions. **Fisher & Paykel Appliances' In-use Energy Carbon Emissions Estimate** indicates carbon emissions from a product's in-use energy. This is calculated either annually or per cycle, using the product's market-specific energy label energy consumption data multiplied by the carbon emissions factor for energy in your country or region.

Our In-use Energy Carbon Emissions Estimate is designed to assist customers in making informed purchasing decisions when comparing different Fisher & Paykel products. For example, a heat pump dryer typically has a lower In-use Energy Carbon Emissions Estimate than a vented dryer.